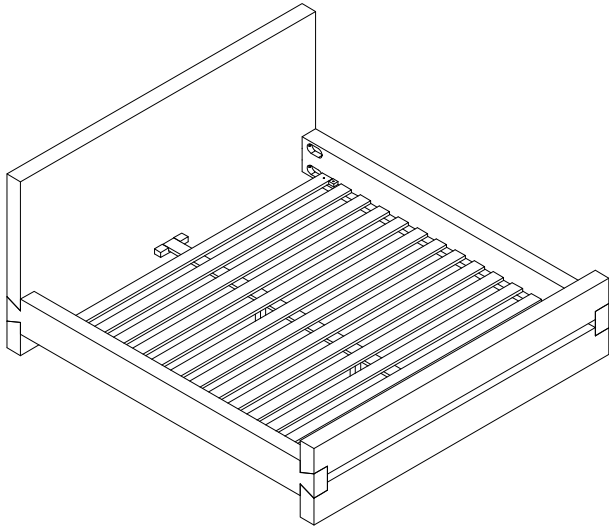


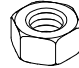

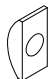

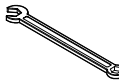
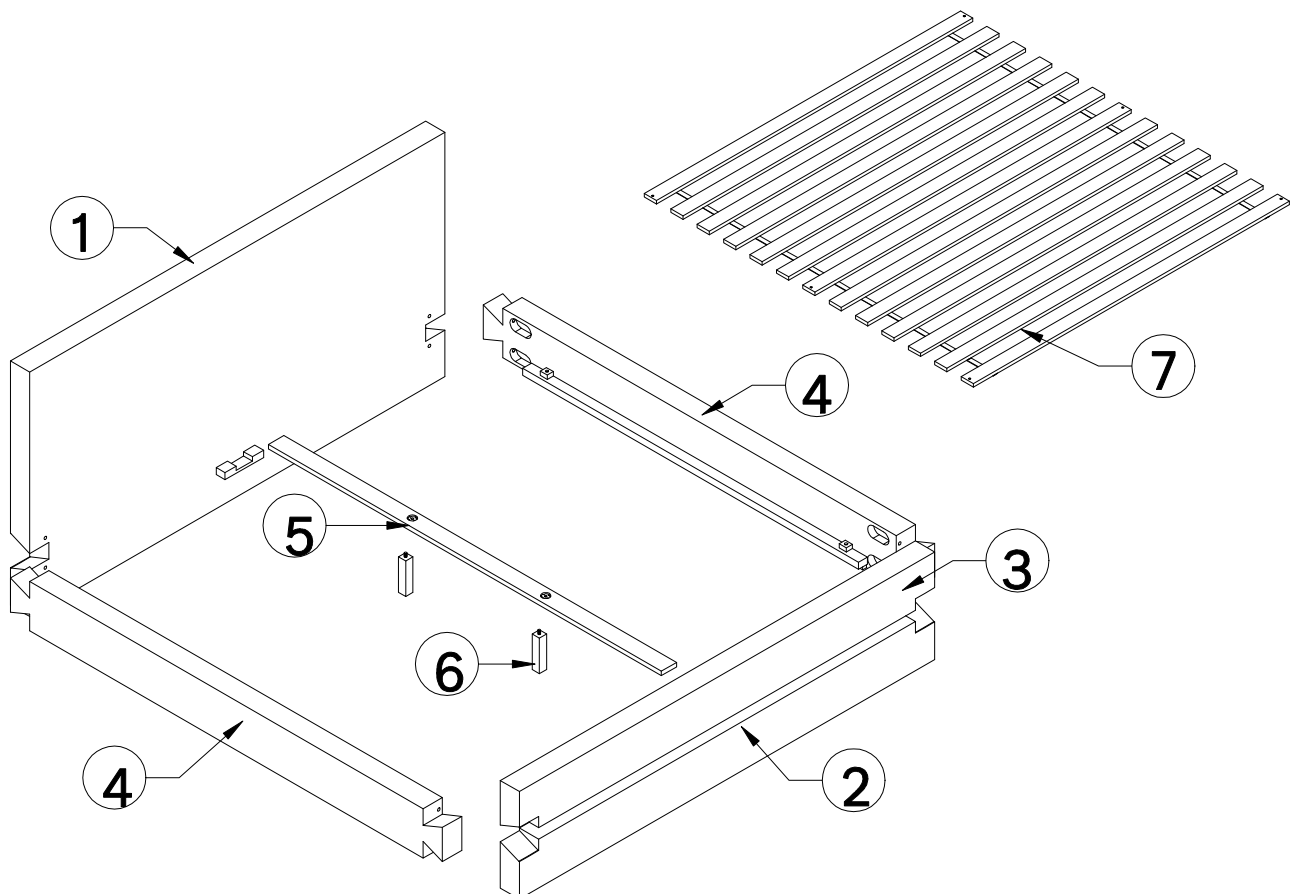


ASSEMBLY INSTRUCTION

MODEL: WOODEN QUEEN BED

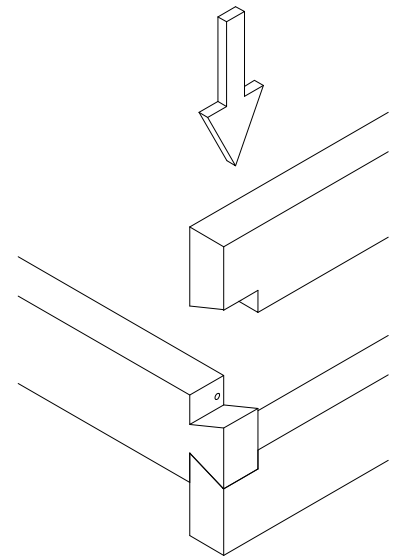
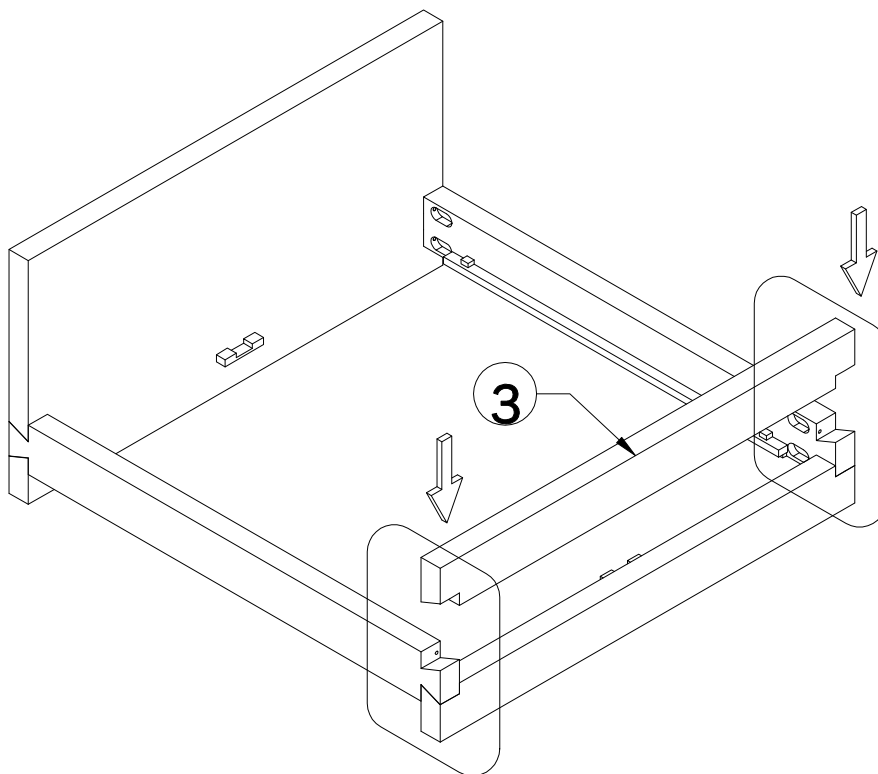
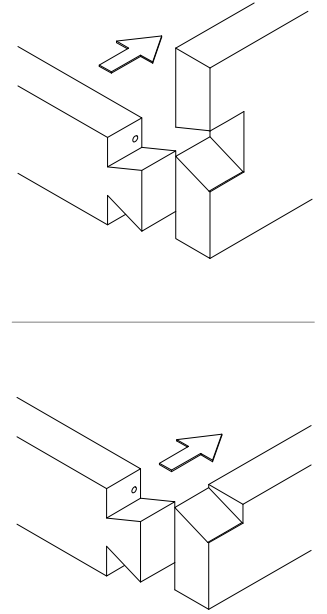
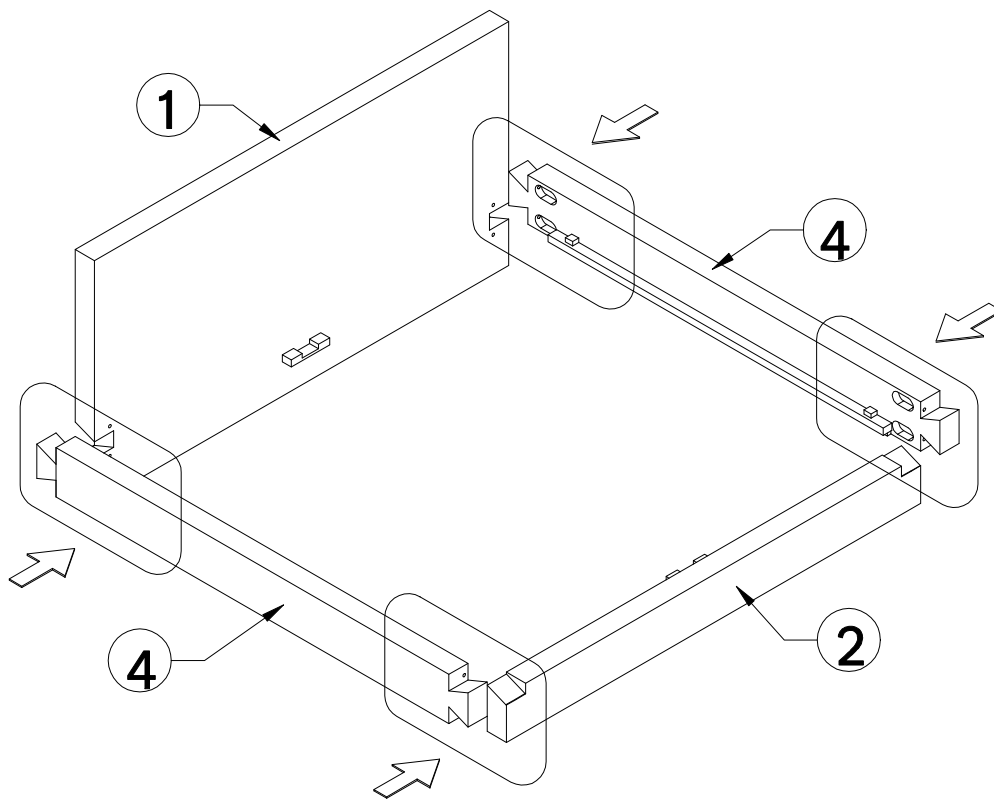


HARDWARE LIST				
A		Steel threaded bar	Ø10 x 85mm	8
B		Lock washer	Ø15 x Ø10 x 3mm	8
C		Hex nut	M17 x Ø10	8
D		Flat washer	Ø19 x Ø10 x 2mm	8
E		Half moon washer	20 x 12 x 42mm	8
F		Pan head screw	M4 x 30mm	6
G		Open wrench	M17	1



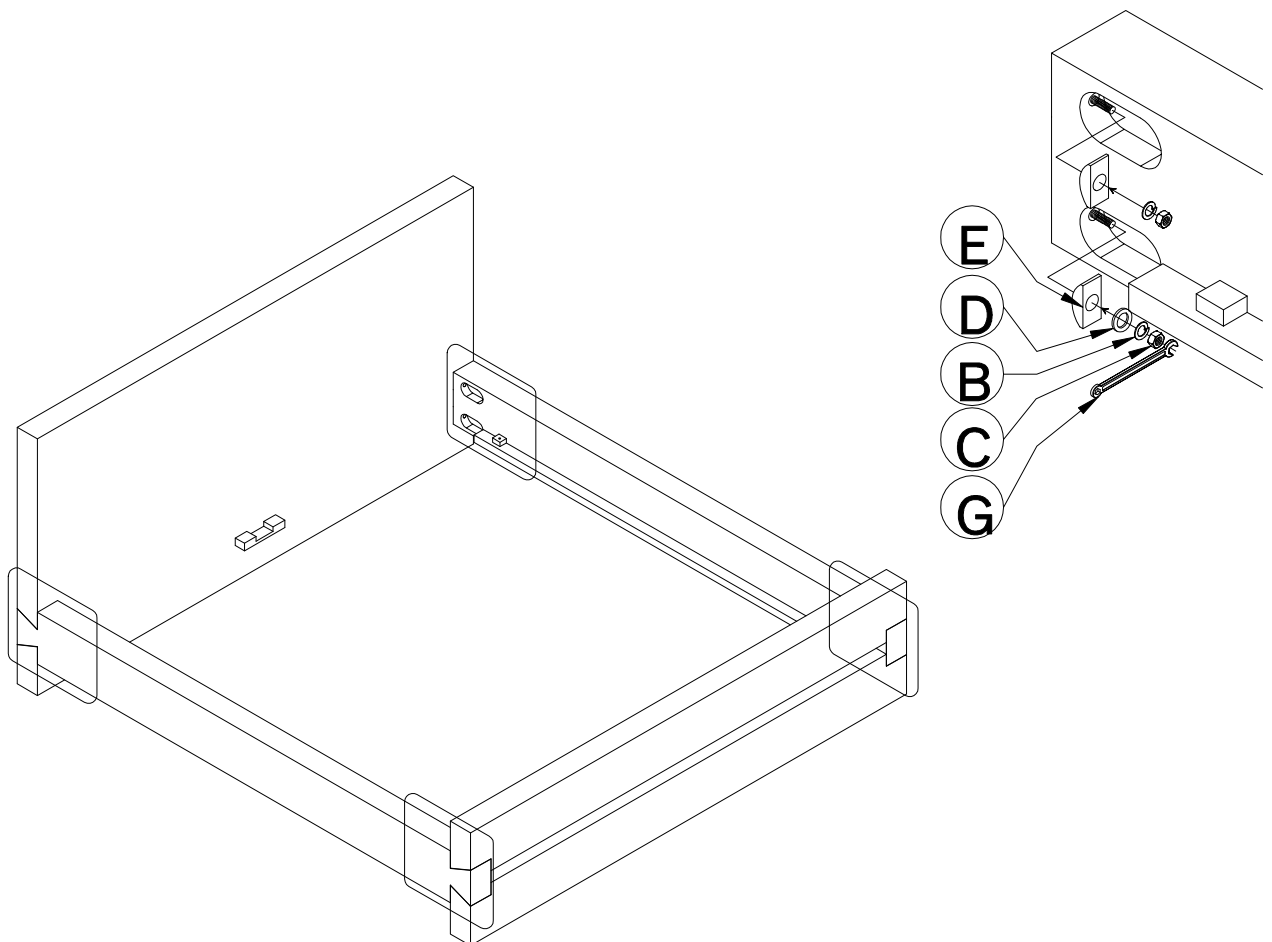
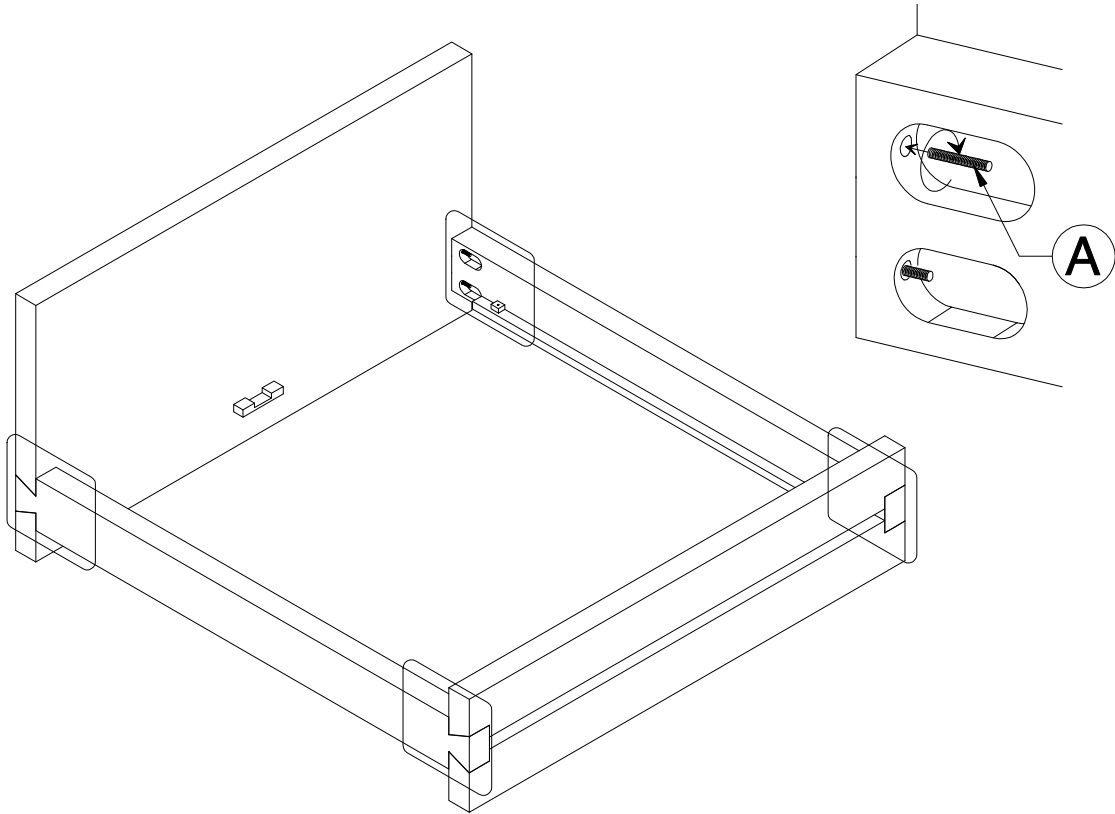
ASSEMBLY INSTRUCTION

MODEL: WOODEN QUEEN BED



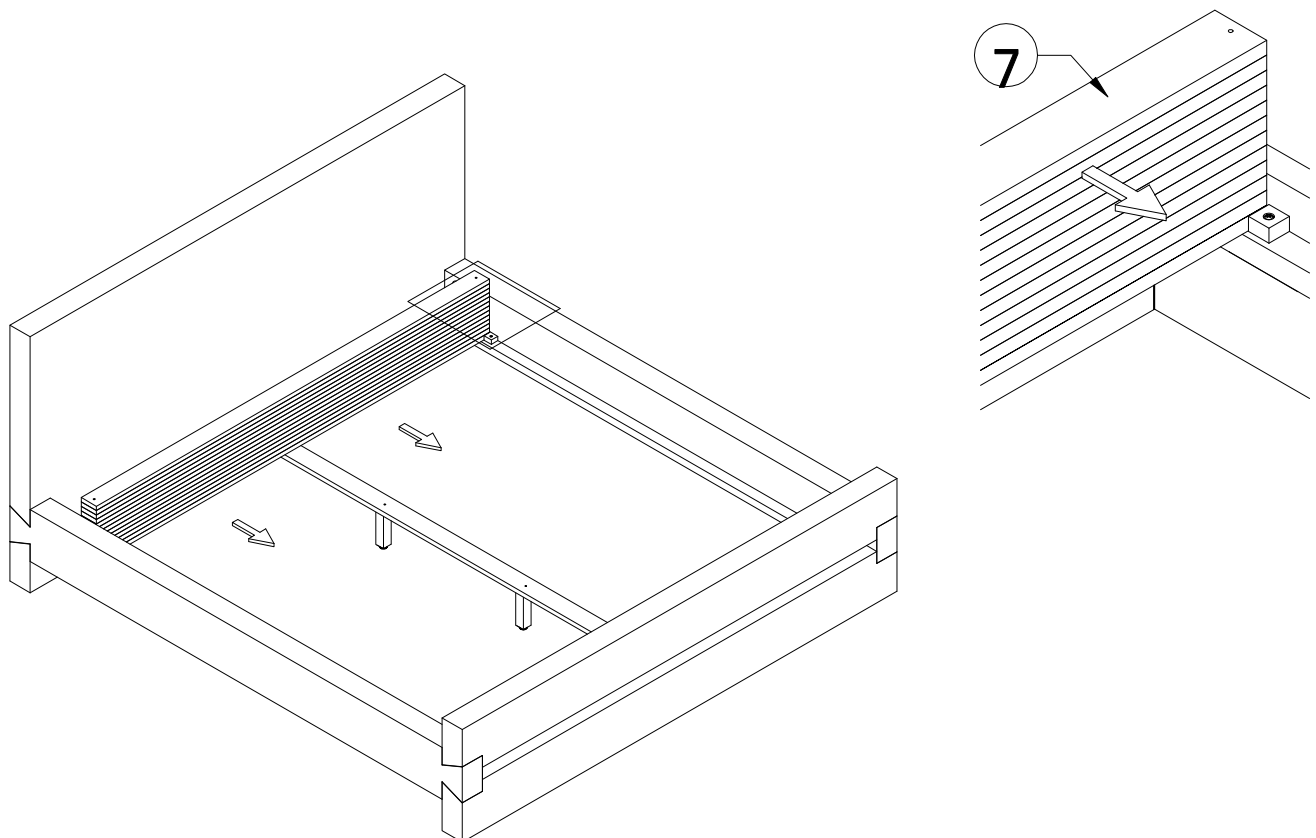
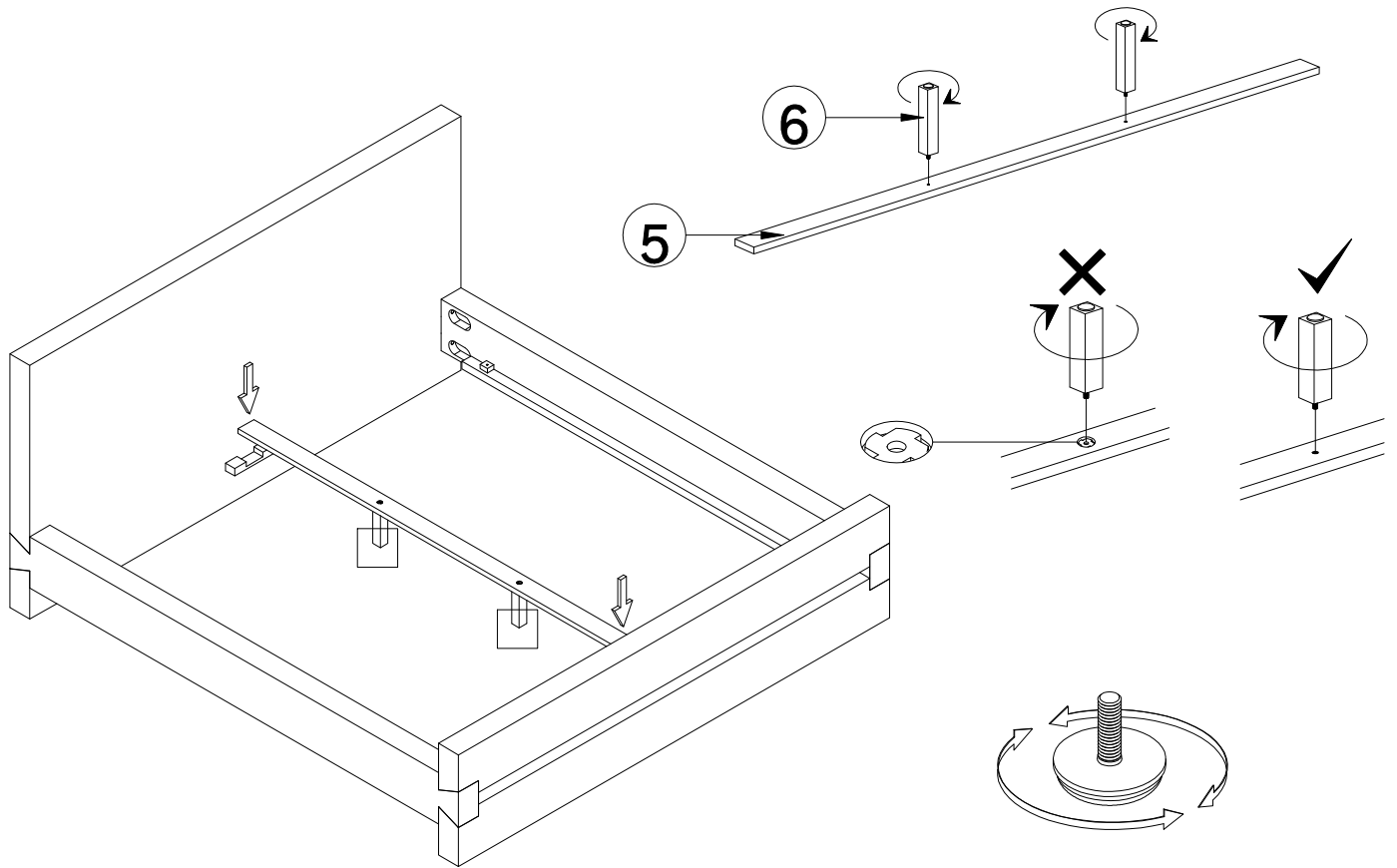
ASSEMBLY INSTRUCTION

MODEL: WOODEN QUEEN BED



ASSEMBLY INSTRUCTION

MODEL: WOODEN QUEEN BED



ASSEMBLY INSTRUCTION

MODEL: WOODEN QUEEN BED

