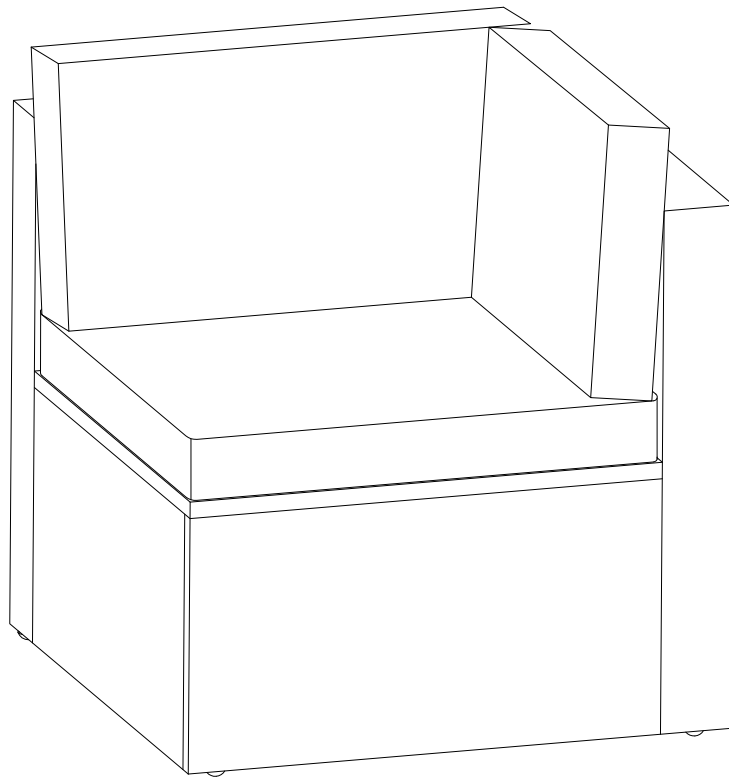


## Outdoor Wicker Corner Chair

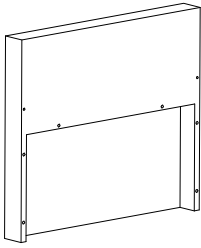
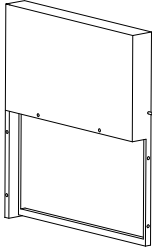
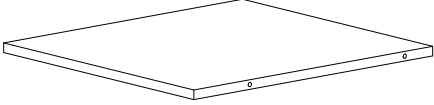
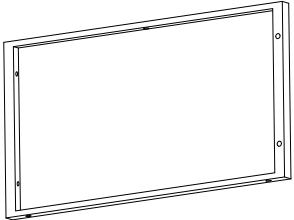
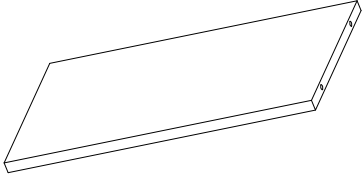





Congratulations! You have purchased a stylish piece  
We strived to provide fine furniture products, built with quality materials and hand finished details. Please carefully follow the assembly instructions to ensure your furniture is assembled correctly to provide long lasting enjoyment.

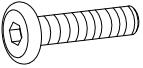
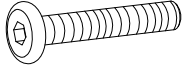
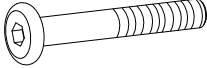
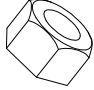
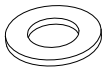
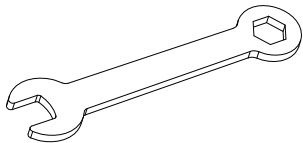
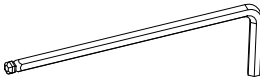
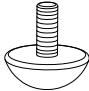
Should you experience any missing or damaged parts, **do not return to the store**, Please visit our website, or contact us directly

**Care: Use a soft, clean cloth that will not scratch the surface when cleaning. The use of solvents is not necessary. Should you choose to use solvents, test in an inconspicuous area first to avoid damaging the finish. TO clean, simply use a soft, clean cloth lightly dampened with water.**

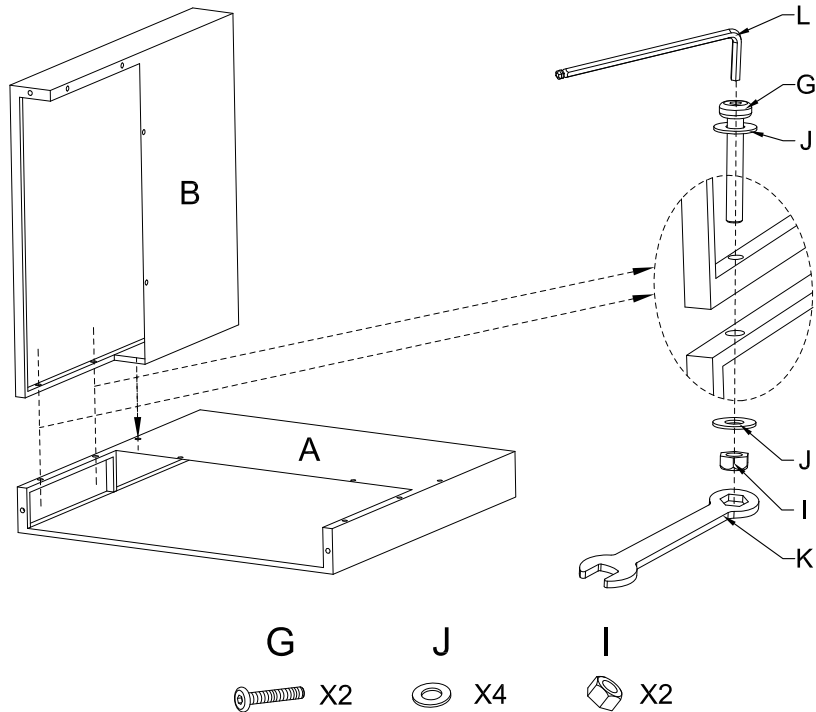
# PART LIST

 <p>Arm Panel</p>		 <p>Back Panel</p>		 <p>Seat Panel</p>	
<b>A</b>	1pc	<b>B</b>	1pc	<b>C</b>	1pc
 <p>Side Panel</p>		 <p>Side Panel</p>		 <p>Seat Cushion</p>	
<b>D</b>	1pc	<b>E</b>	1pc	<b>N</b>	1pc
 <p>Back Cushion</p>		 <p>Side Cushion</p>			
<b>O</b>	1pc	<b>P</b>	1pc		

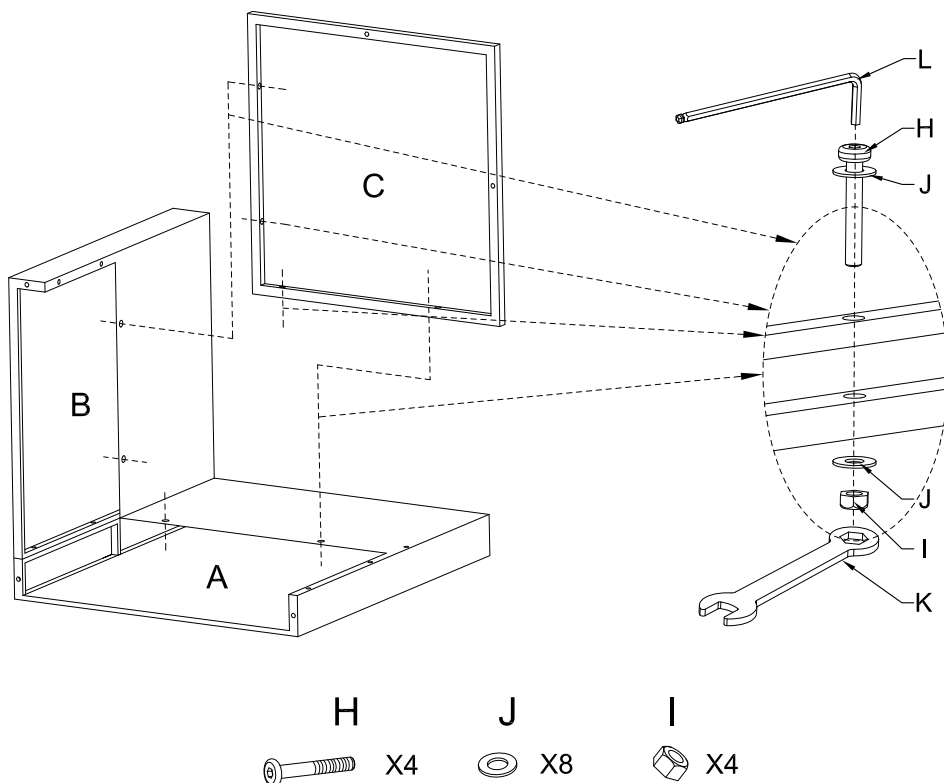
# HARDWARE LIST

 <p>Short Bolt(M6*30mm)</p>		 <p>Medium Bolt(M6*40mm)</p>		 <p>Long Bolt(M6*50mm)</p>		 <p>Nut(M6mm)</p>	
<b>F</b>	4pcs	<b>G</b>	4pcs	<b>H</b>	6pcs	<b>I</b>	10pcs
 <p>Washer(M6mm)</p>		 <p>Wrench(M6mm)</p>		 <p>Allen Key(M6mm)</p>		 <p>Adjustable Leveler</p>	
<b>J</b>	24pcs	<b>K</b>	1pc	<b>L</b>	1pc	<b>M</b>	4pcs

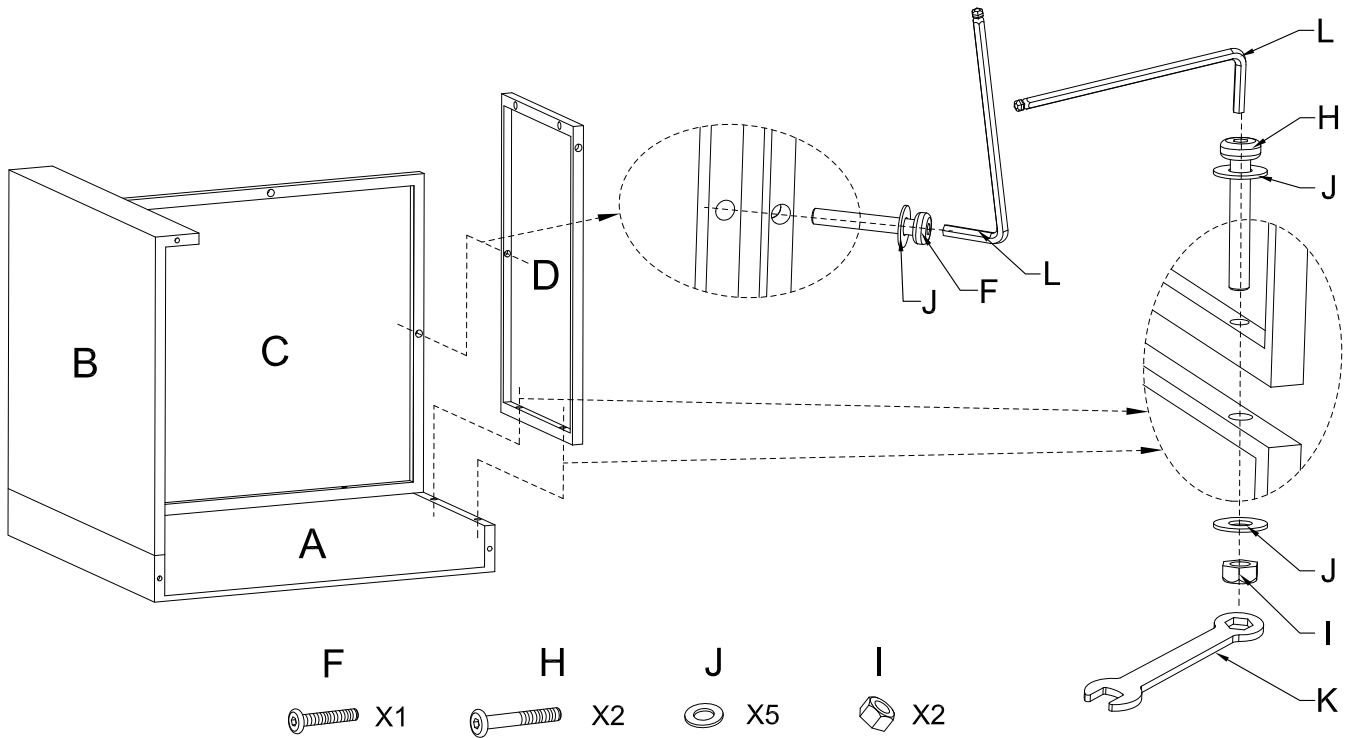
**Step 1.** Lay Arm Panel (A) down on a flat surface. Attach Back Panel(B) to Arm Panel(A) using the Medium Bolt(G), Washer(J), Nut(I), Wrench (K) & Allen Key (L)  
 NOTE: Do not fully tighten bolt until all bolts are in place.



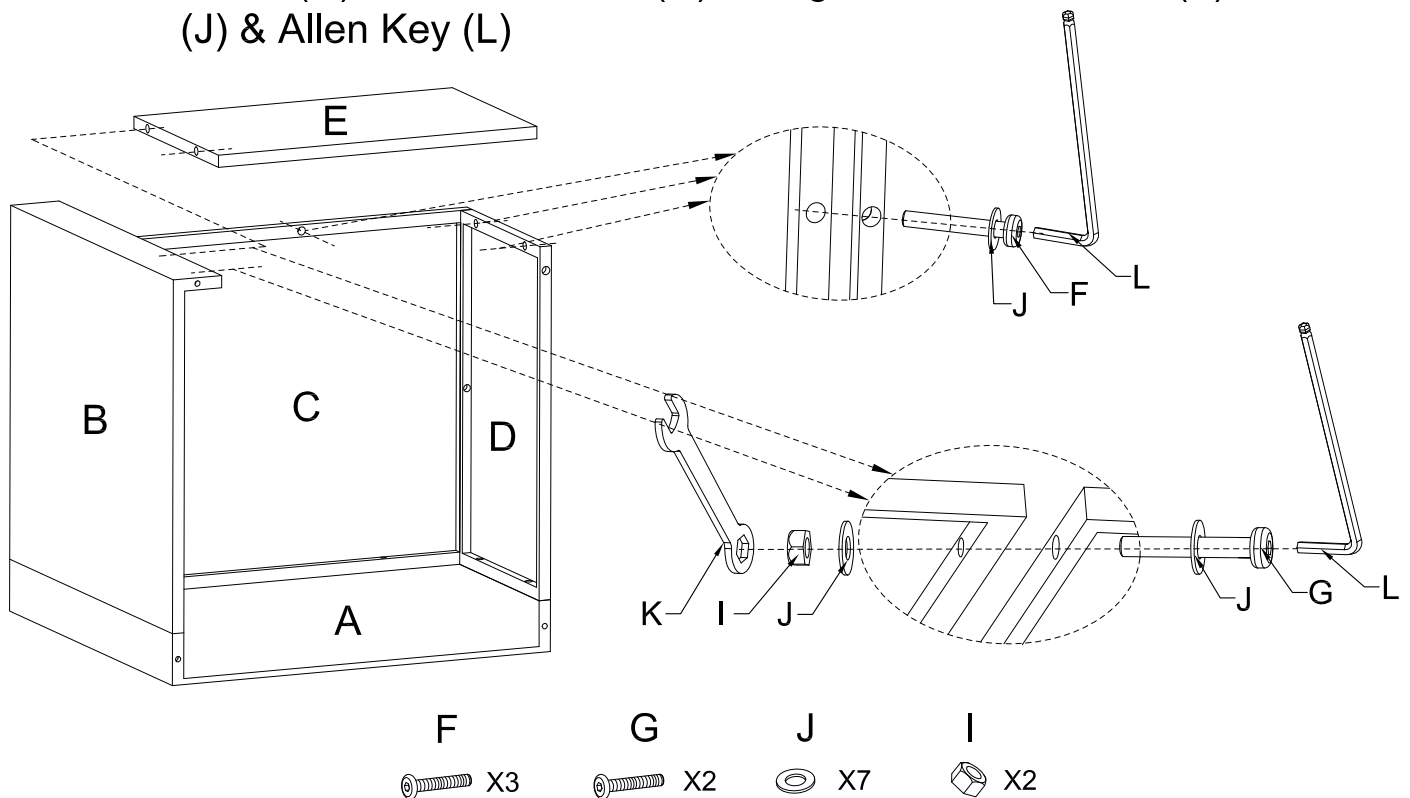
**Step 2.** Attach Seat Panel(C) to Arm Panel(A) and Back Panel (B) using the Long Bolt(H) Washer(J), Nut(I), Wrench (K) & Allen Key (L)



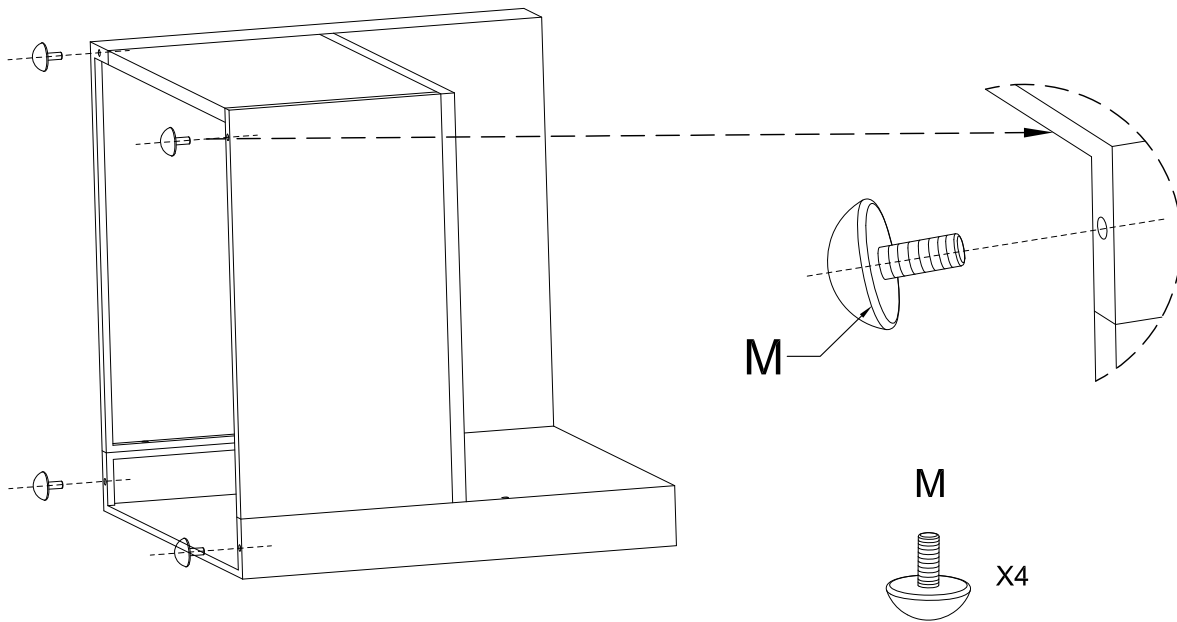
Step 3. Attach Side Panel (D) to Arm Panel (A) using the Long Bolt (H), Washer (J), Nut(I), Wrench (K) & Allen Key (L), and then to Seat Panel (C) using the short Bolt (F), Washer (J) & Allen Key (L)



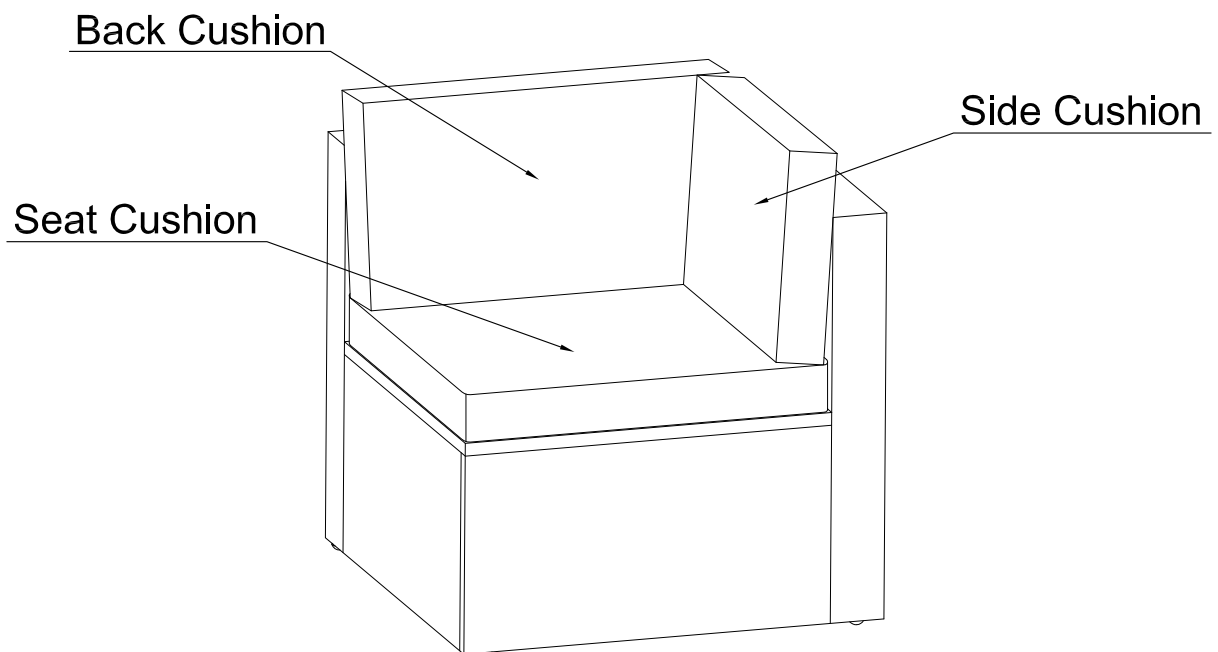
Step 4. Attach Side Panel (E) to Back Panel (B) using the Medium Bolt(G), Washer (J), Nut(I) , Wrench (K) & Allen Key (L), and then to Seat Panel (C) and Side Panel (D) using the short Bolt Bolt (F), Washer (J) & Allen Key (L)



Step 5. Screw the Adjustable Levelers (M) into the pre-drilled holes, to the desired position, on the bottom of the chair.



Step 6. Turn the assembled chair upright on a flat surface, add the Seat , Back and Side Cushions.



## Limited Manufacturers Warranty

Products are warranted against defects in material and workmanship for a period of 90 days beginning from the date of sale. Should any parts be missing or defective, we will replace or repair the parts for a period of 90 days from the date of purchase.

**Should you experience any missing or damaged parts, do not return to the store.** Please contact us directly

This warranty gives the purchaser specified legal rights in addition to any rights which may vary from state to state. In accordance with the "Moss-Magnuson Warranty Act" of July 10, 1975, this is termed a "limited warranty" which in no way compromises our high standards of Quality and Workmanship.