



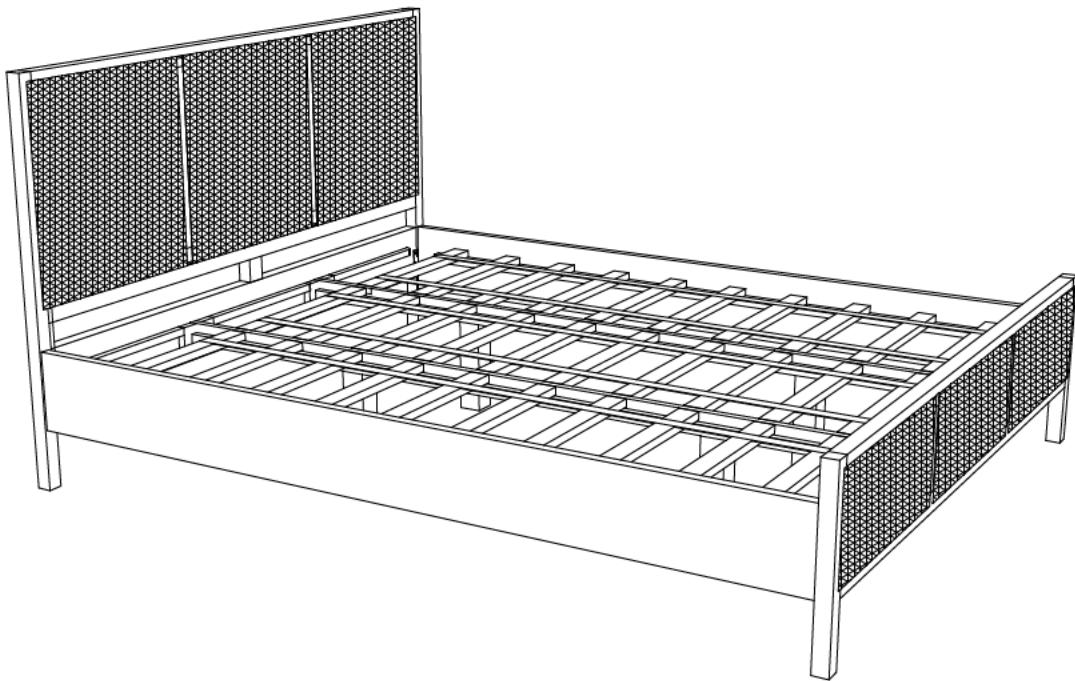


Assembly Instruction

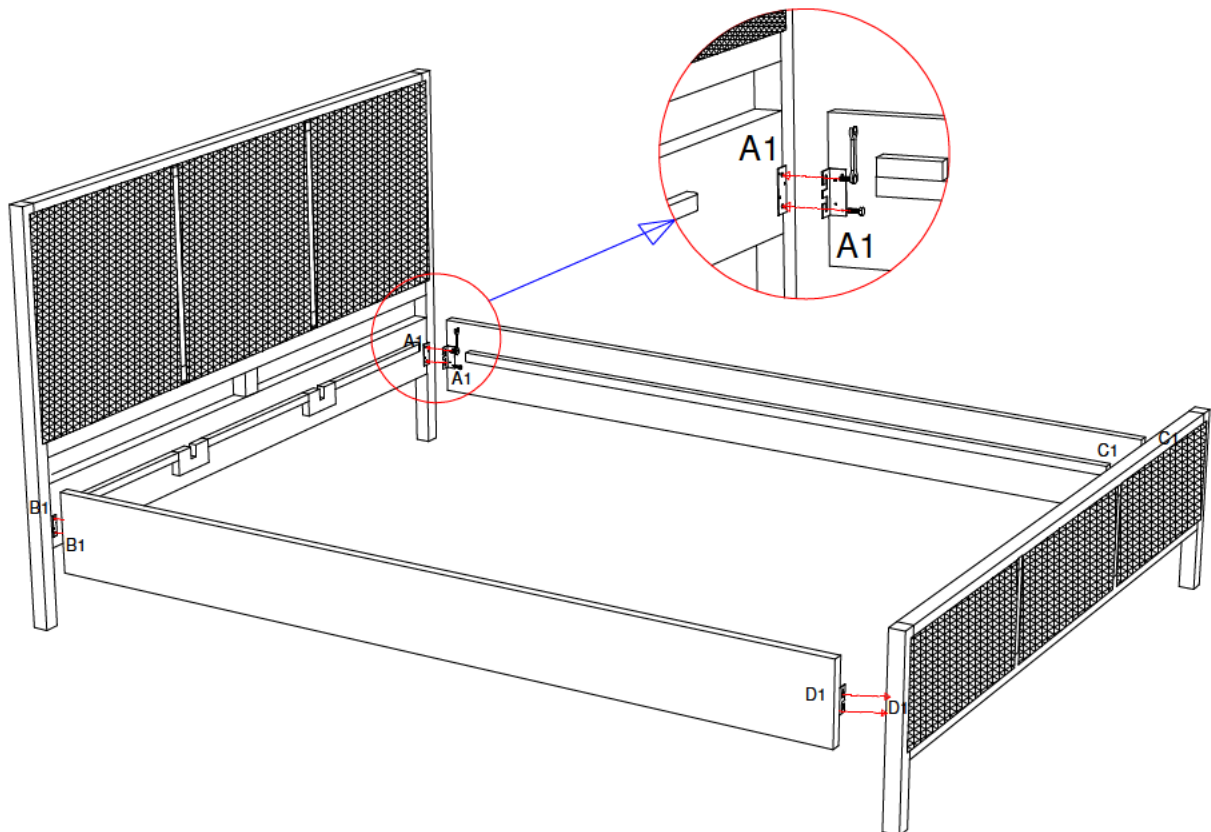
King bed

Hardware and Component list:

NO.	Hardware List	Size	Q'ty
A	 Wrench		1
B	 Bolt	8x20 mm	8
C	 Allenkey		1
D	 Allen bolt	6x70 mm	4



1

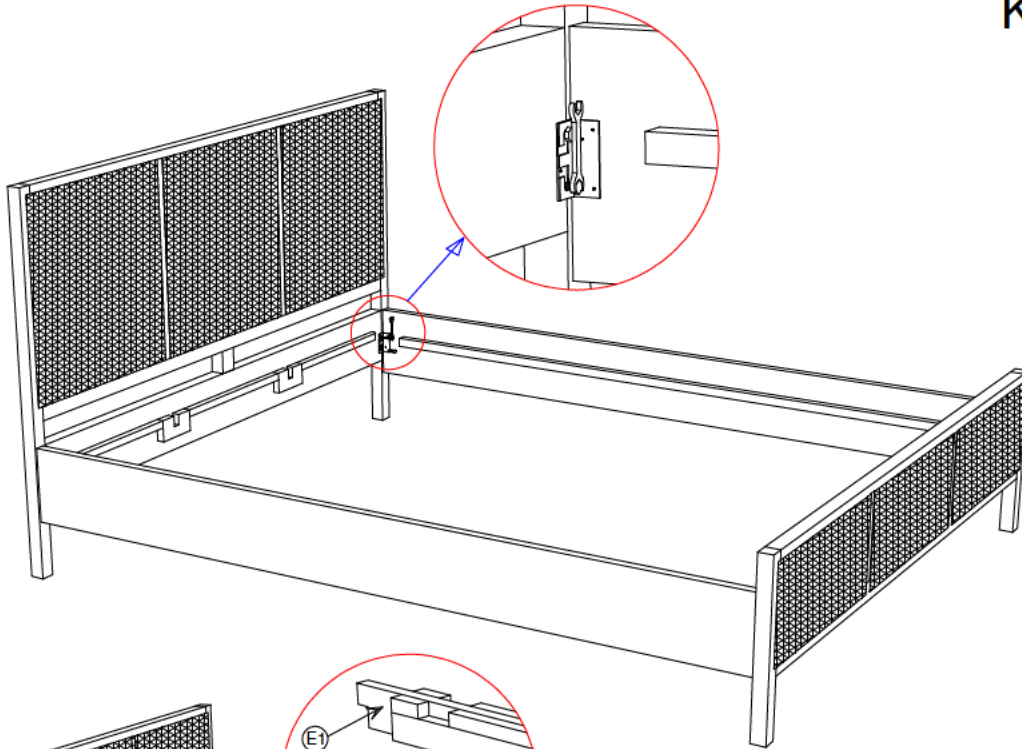


CAUTION : Please do not over tighten bolts.

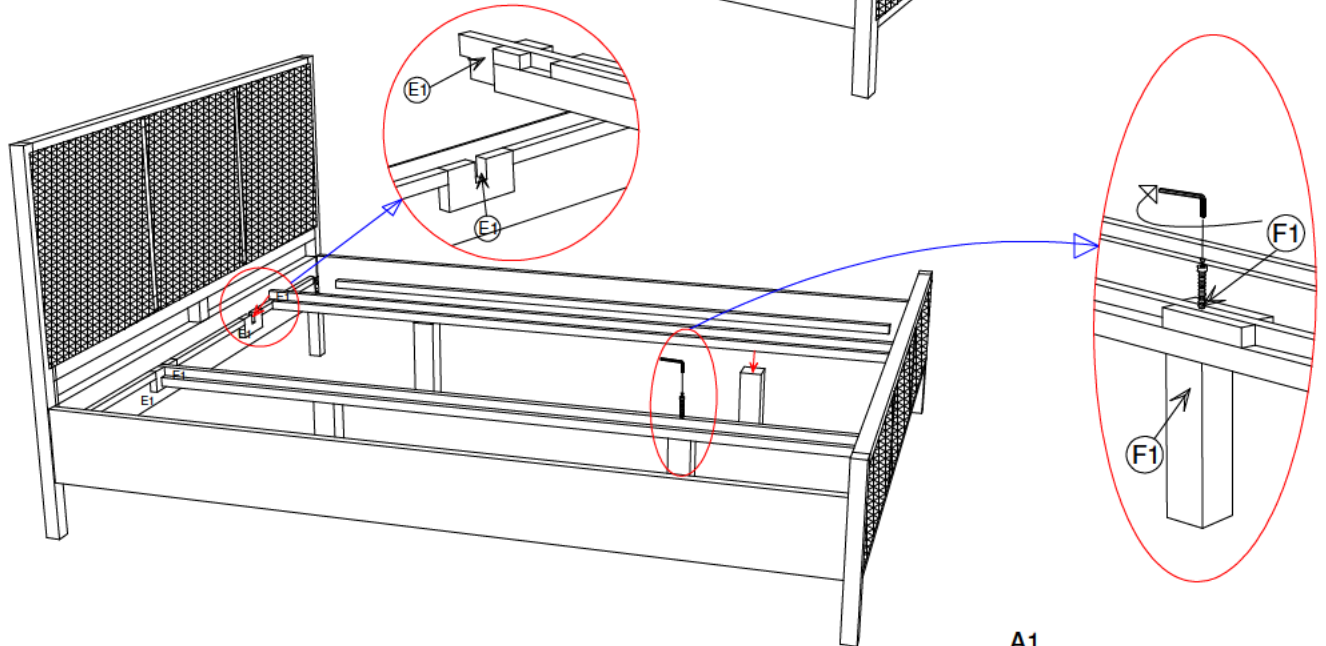
Assembly Instruction

King bed

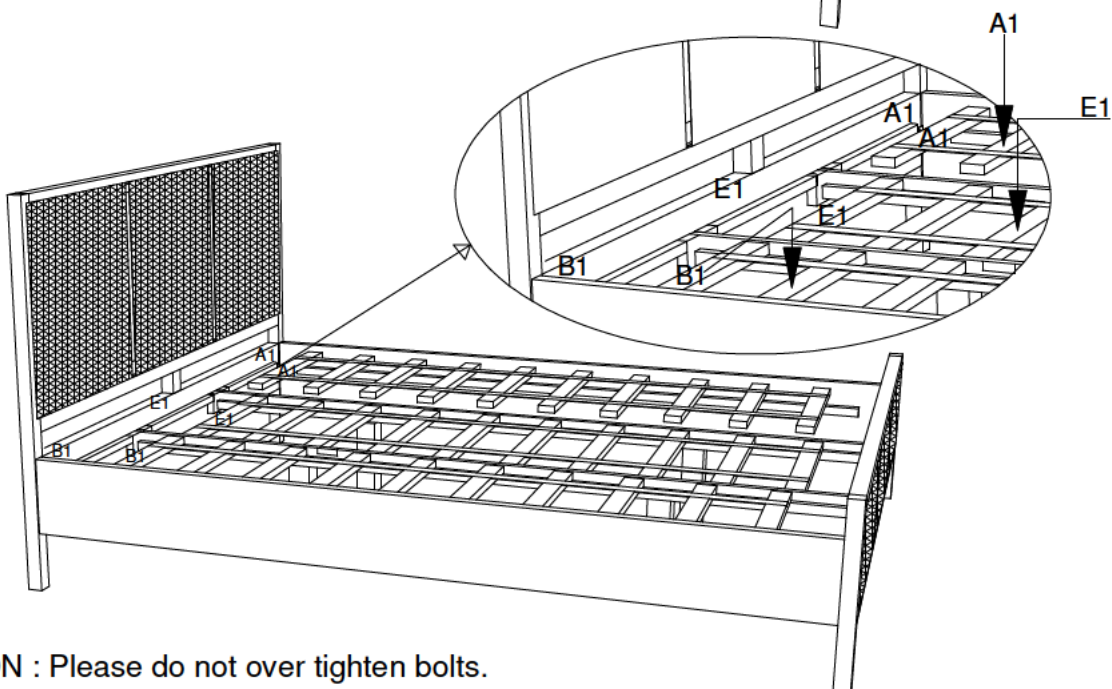
②



③



④



CAUTION : Please do not over tighten bolts.