



SPEC SHEET

KoolMore 32 in. Outdoor Gas and Wood Fired Pizza Oven

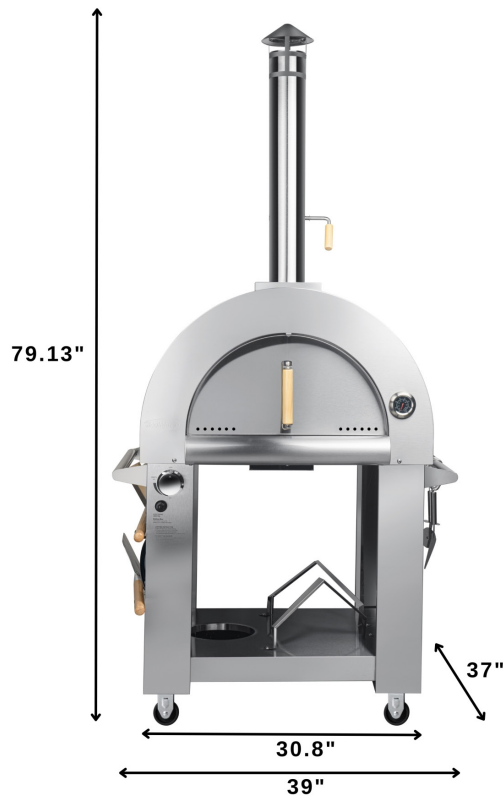
SKU: KM-OKS-DFPO

FEATURES

- **Dual Fuel Operation:** Offers the flexibility to cook with either gas or wood for a versatile outdoor cooking experience.
- **Flue Damper Control:** Allows for precise temperature control, enhancing heat flow and smoke retention for optimal cooking.
- **Built-In Chimney:** Ensures efficient smoke exhaust while maintaining the authentic wood-fired oven atmosphere.
- **Stainless-Steel Construction:** Durable and weather-resistant, ideal for outdoor kitchen setups.
- **Convenient Mobility:** Mounted on 4 casters for easy movement around your outdoor space.
- **Tool and Accessory Storage:** Integrated storage for cooking utensils and tools for convenient access during food preparation.
- **Easy-to-Clean Surfaces:** Stainless steel surfaces are easy to wipe down and maintain between uses.



Specification	Detail
Manufacturer	KoolMore
Brand	KoolMore
Manufacturer SKU	KM-OKS-DFPO
Product Type	Outdoor Pizza Oven
Fuel Type	Dual Fuel (Wood and Gas)
Construction Material	Stainless Steel
Capacity	Commercial Grade
Cooking Area	25.2 in x 29.5 in.
Product Dimensions (L x W x H, inches)	39 x 32 x 79.13
Product Weight (lbs)	138
Shipping Dimensions (L x W x H, inches)	39.6 x 35.8 x 29.5



CERTIFICATIONS

