

# **ASSEMBLY INSTRUCTION**

Sleeper Sofa Bed

# Notes Before Assembly

1. This Sleeper sofa Bed combines a Pull-out Bed and a chaise lounge component. You can customize the sofa's orientation and layout to suit your room configuration, For example, a sofa bed with a chaise lounge that can be turned in different directions, or an extra-large U-shaped sofa bed.
2. The sofa is shipped in multiple boxes. We recommend that you unpack and begin assembly only after receiving all boxes. If any parts are damaged or missing, there's no need to return the product. We'll be happy to assist you and send replacement parts free of charge.
3. To ensure safe and satisfactory assembly, please read the following instructions carefully. Arrange for 2-4 adults to assemble the sofa based on the product size. It's important to assemble it on a clean, scratch-free surface. **Please keep all Boxes until assembly is completed.**
4. Some key components of your product may be stored inside other parts. Please open any zippered or hook-and-loop compartments to retrieve all parts. (For example, **some side panels are hidden inside the backrest (part B).**)
5. Our cushions are vacuum-packed for easy shipping. Please allow 2-3 days for them to fully expand to their original shape and remove any wrinkles.



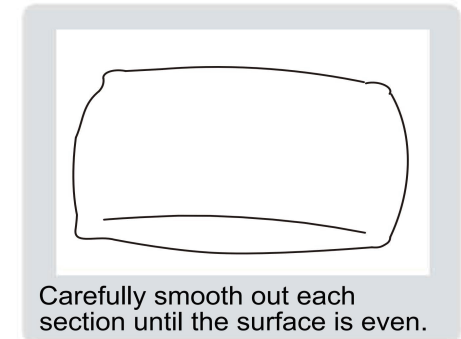
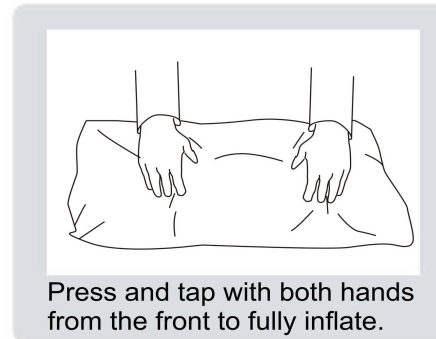
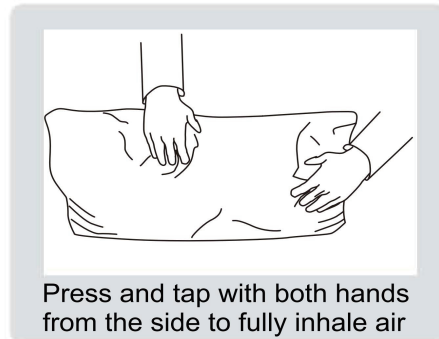
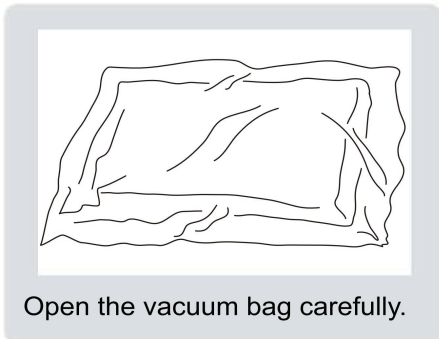
# Safety and Care Advice

**Important – Please read these instructions fully before starting assembly**

Thanks for your purchase. Before the assembly, please follow the instruction to check if all the spare parts and screws are intact.

- Considering the size and weight of the sofa, we recommend two adults to assemble the sofa, on a carpeted or padded area, in the room that it is intended for. Approximate assembly time: 30 minutes.
- Keep all components and packaging out of reach of children or animals to avoid risk of choking or suffocation.
- Please do not throw away any of the packaging or the instruction until you have checked all the components and hardware and the furniture is fully assembled. Please ensure that the packaging is disposed of in a safe and environmentally friendly way.
- Please do not take off the cover, and do not wash.

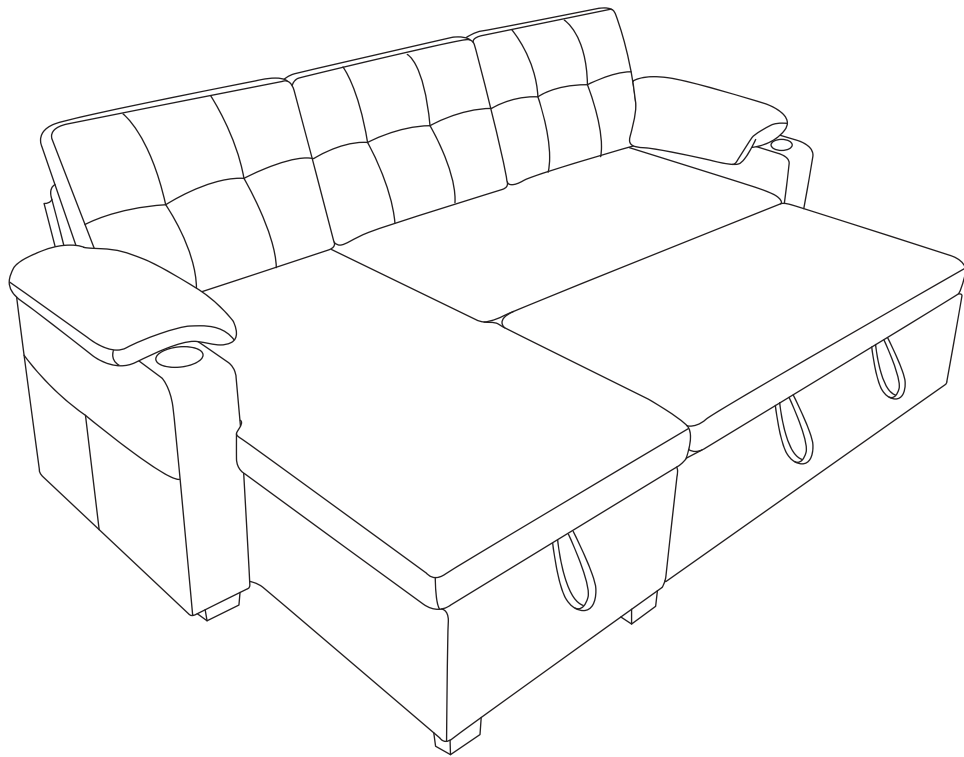
Your cushions come vacuum packed and sealed for shipping. To restore the cushion's original shape, follow the steps below.



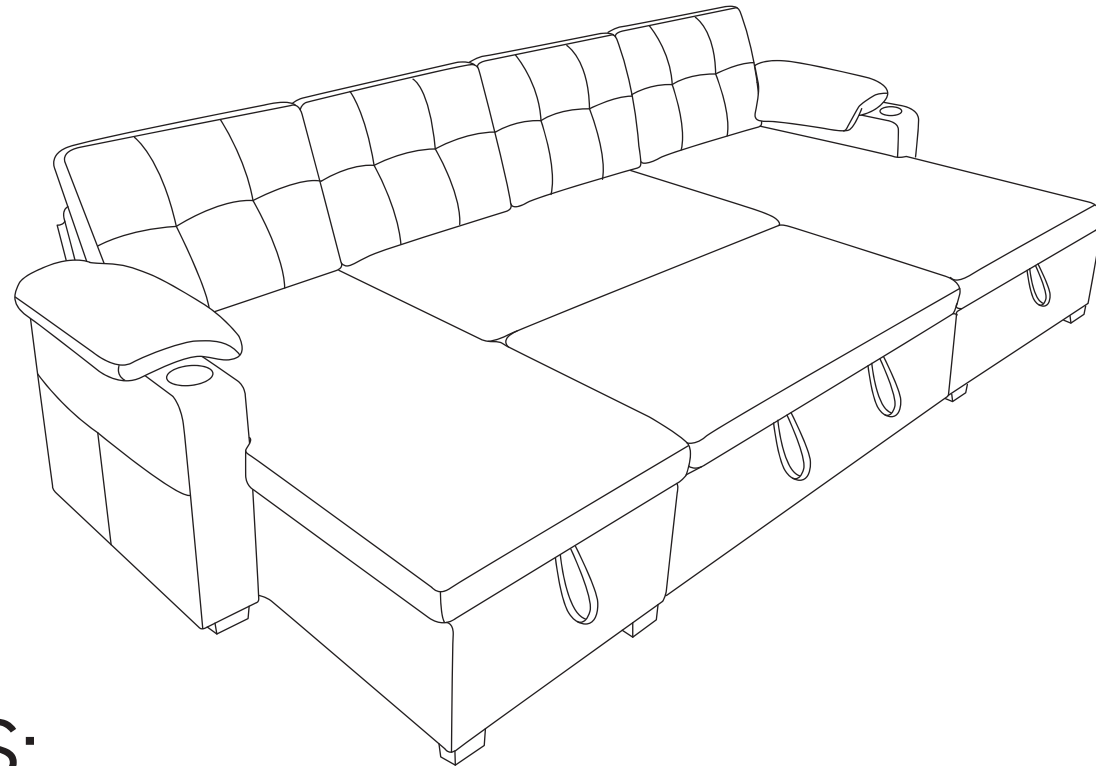
After packing up, place them in somewhere dry and ventilated. After about 72-96 hours, it can be restored to the best use condition.

## Multiple Combinations Available Based on Your Purchase

L-Shaped:BoxA+BoxB



U-Shaped:BoxA+BoxB+BoxC



### IMPORTANT SHIPPING NOTES:



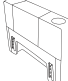


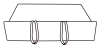
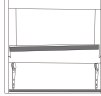

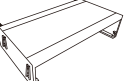






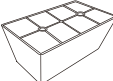











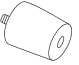



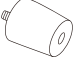


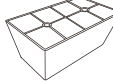

L-Shaped Sofa: Includes BoxA + BoxB (Total 2 packages).

U-Shaped Sofa: Includes BoxA + BoxB + BoxC (Total 3 packages).

# Packing List

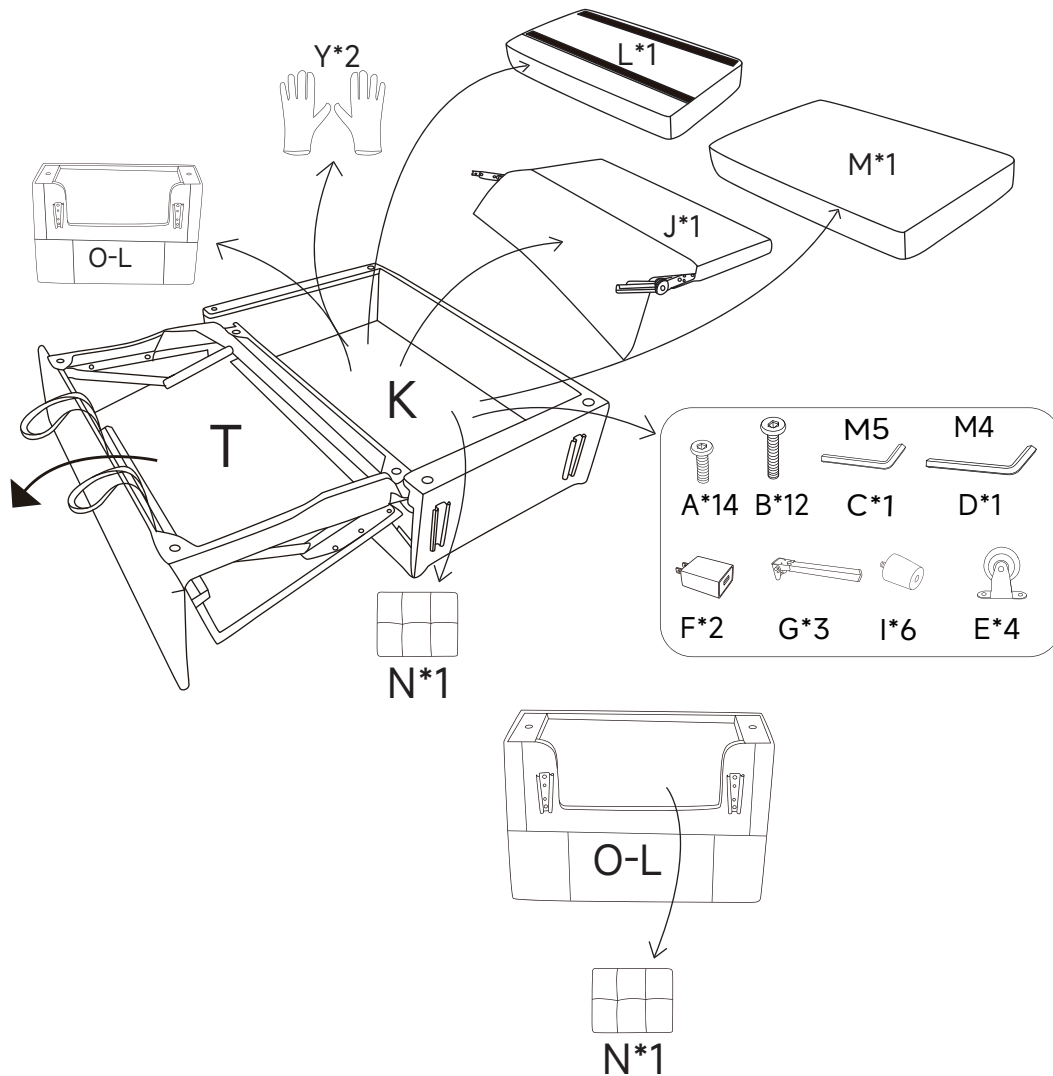
## Seller's Notice:

- The following is the list of components contained in each basic box.
- Depending on the configuration you purchase, you may receive multiple different base boxes.
- Please wait until you receive all the boxes and then start the assembly.

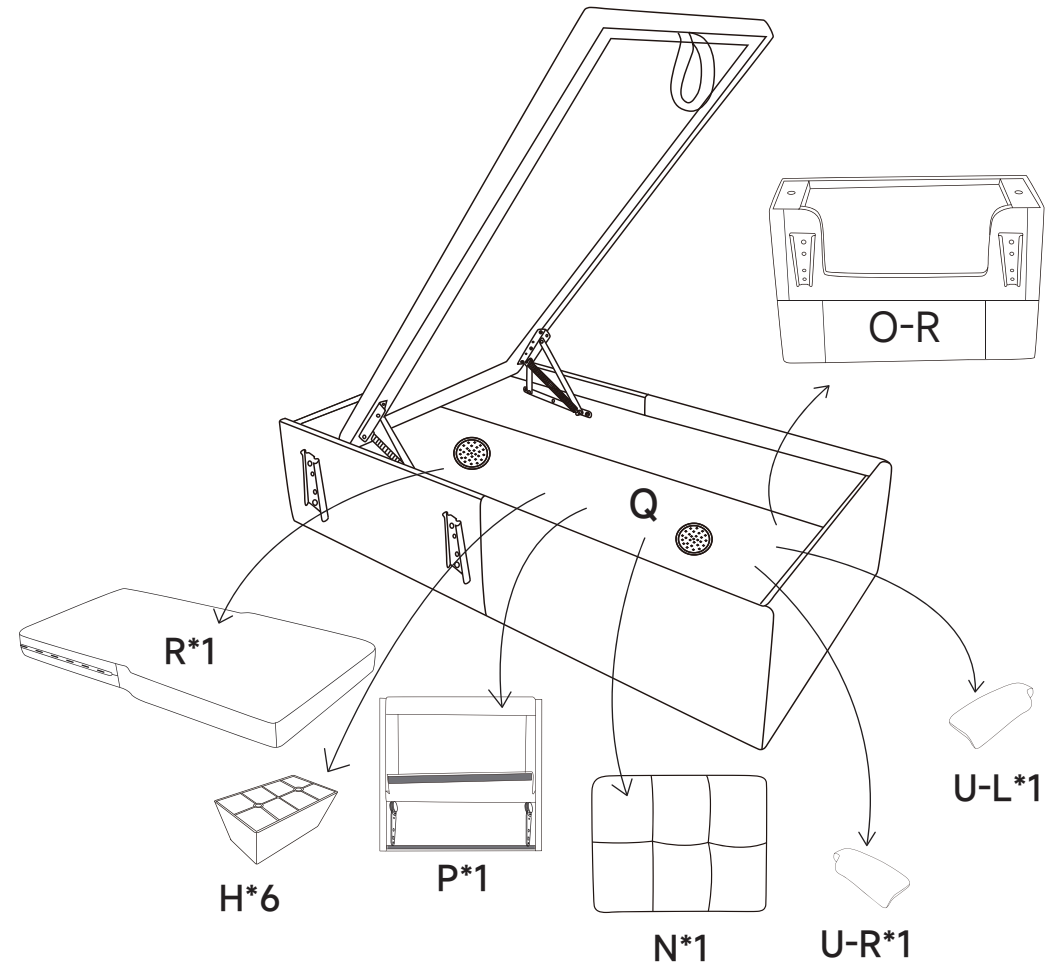
Box-A				Box-B											
O-L		Facing Left Arm	x1	M		Pull Out Seat Cushion	x1	O-R		Facing Right Armrest	x1	U-L		Pillow	x1
L		Pull Out Seat Cushion	x1	T		Pull Out Sofa Tray Frame	x1	P		Back Frame	x1	U-R		Pillow	x1
K		Seat Frame	x1	N		Back Cushion	x2	Q		Seat Frame	x1	R		Seat Cushion	x1
A		M6X20mm	x14	J		Back Frame	x1	N		Back Cushion	x1	H		Feet	x6
B		M8X60mm	x12	C		M5	x1	<b>Box-C</b>							
D		M4	x1	E			x4	P		Back Frame	x1	A		M6X20mm	x2
G			x3	U		Instructions	x1	Q		Seat Frame	x1	B		M8X60mm	x4
F		Charger	x1	I		Feet	x6	N		Back Cushion	x1	C		M5	x1
				Y		Gloves	x2	I		Feet	x2	D		M4	x1
								R		Seat Cushion	x1	H		Feet	x2
												G			x1

# Please Check And Take Out The Parts According To The Diagram

Some accessories are stored in the K. Pull out part T broaching machine and take them out.

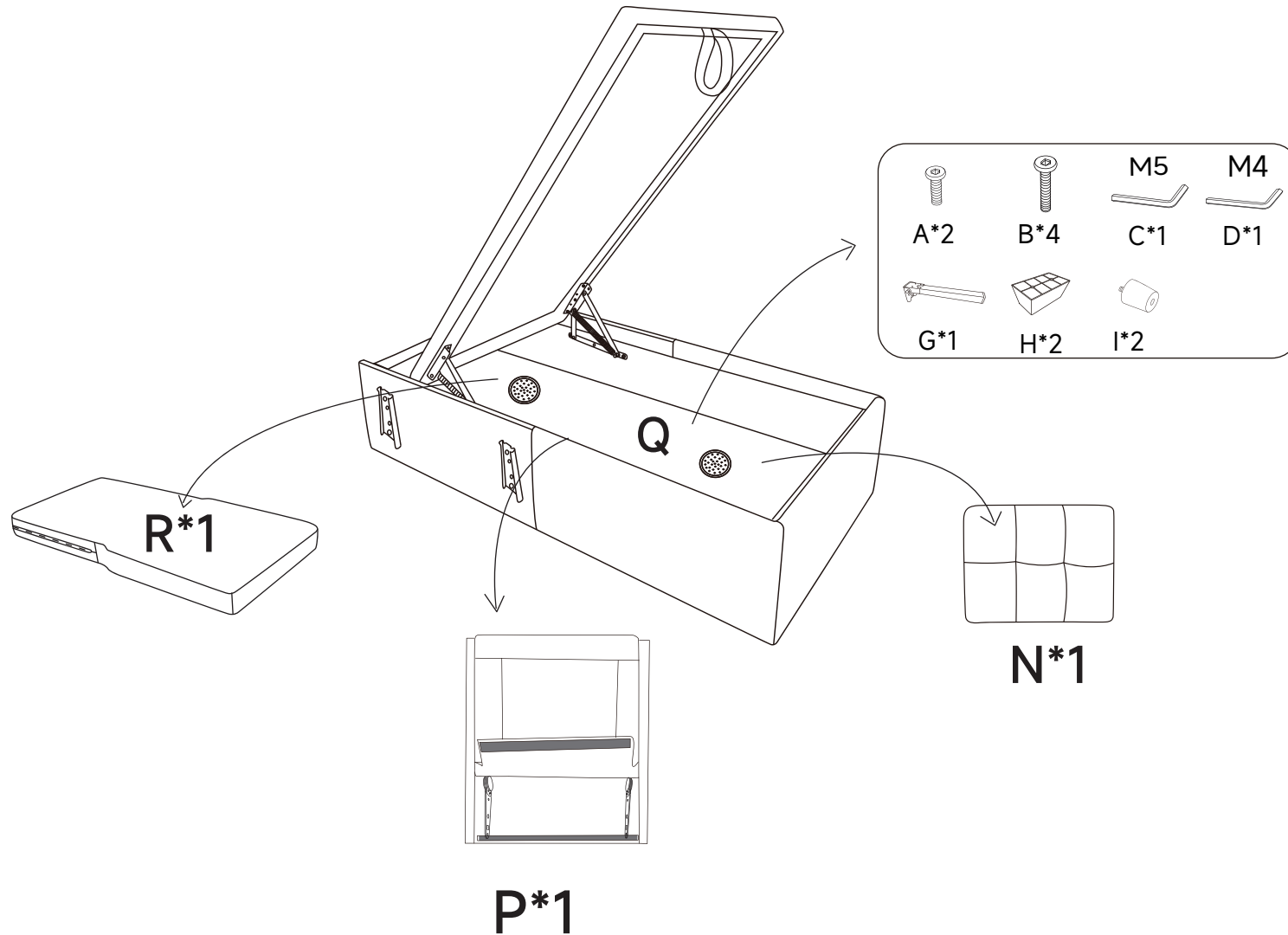


Take R/N/P/H/O-R/U-R/U-L accessories out of Q accessory



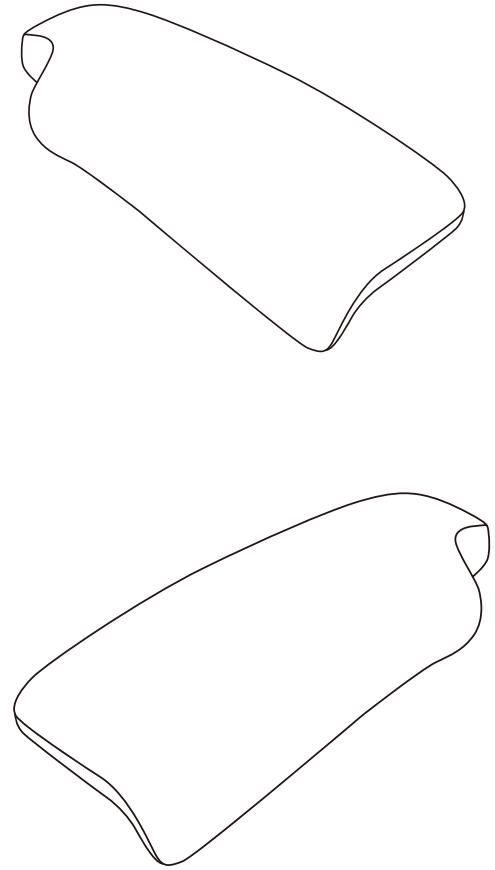
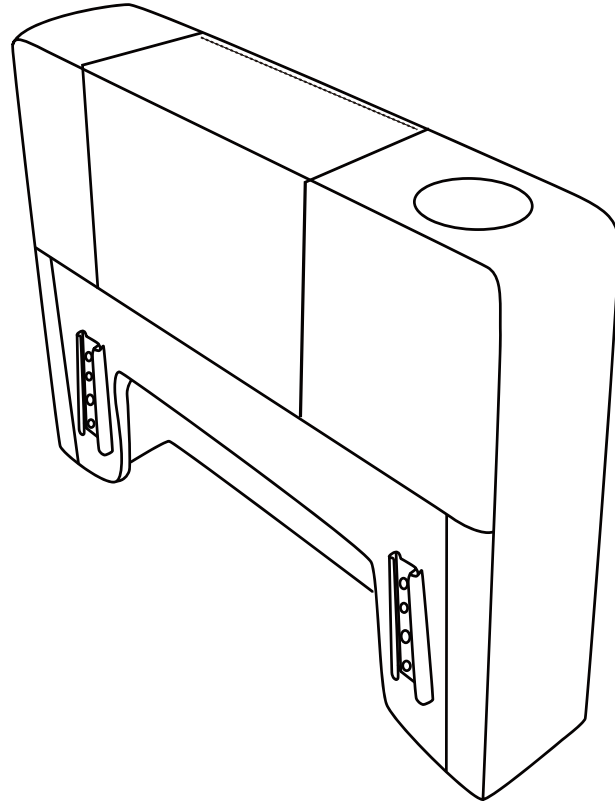
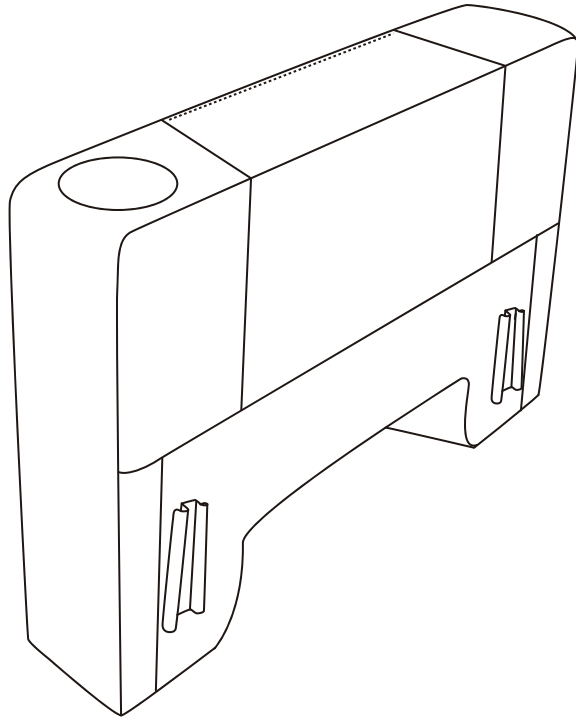
Please Check And Take Out The Parts According To The Diagram

Take A/B/C/D/G/H/I/R/N/P accessories out of Q accessory

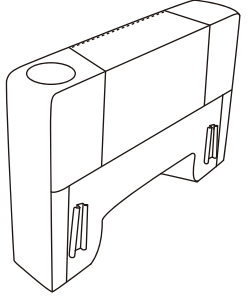
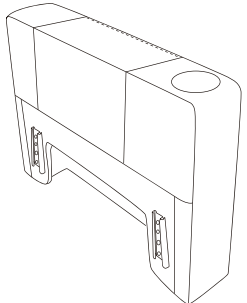
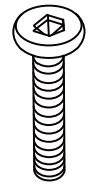

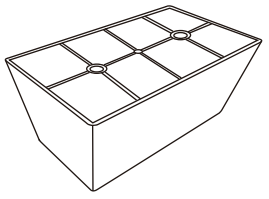
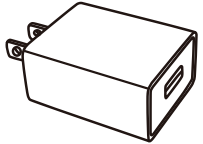
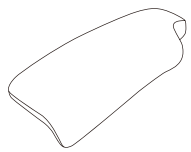
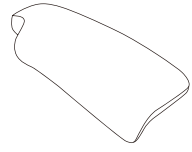


# How to Install the Armrest Section

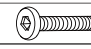

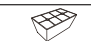
## ARMREST MODULE

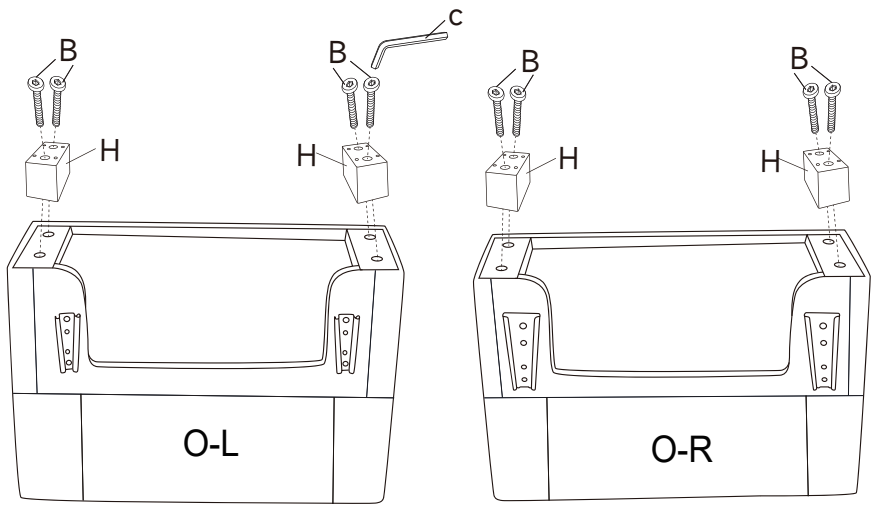


# Main Structure Accessories

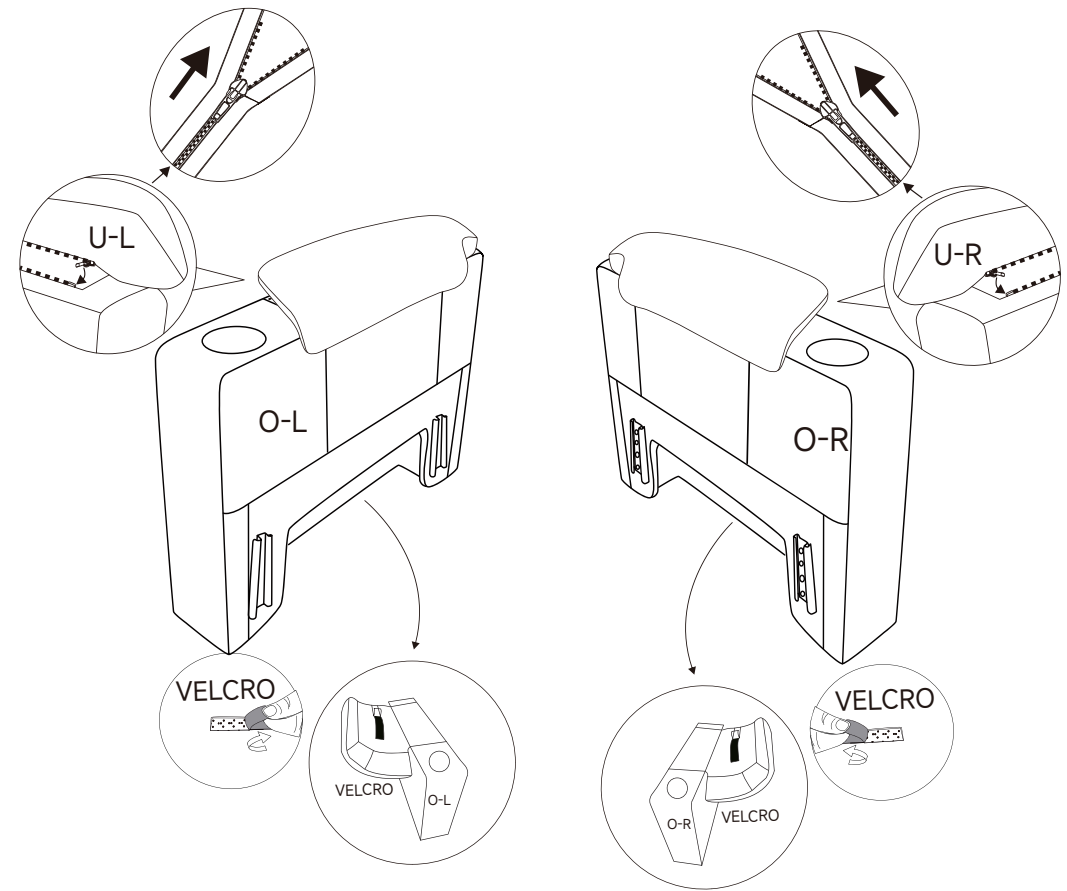
<p>O-L</p>  <p>1pcs</p>	<p>O-R</p>  <p>1pcs</p>	<p>B</p> <p>M8X60mm</p>  <p>8pcs</p>	<p>C</p> <p>M5</p>  <p>1pcs</p>	<p>H</p>  <p>4pcs</p>
<p>F</p>  <p>1pcs</p>	<p>U-L</p>  <p>1pcs</p>	<p>U-R</p>  <p>1pcs</p>		

### STEP 1

	Bx8
	Cx1
	Hx4

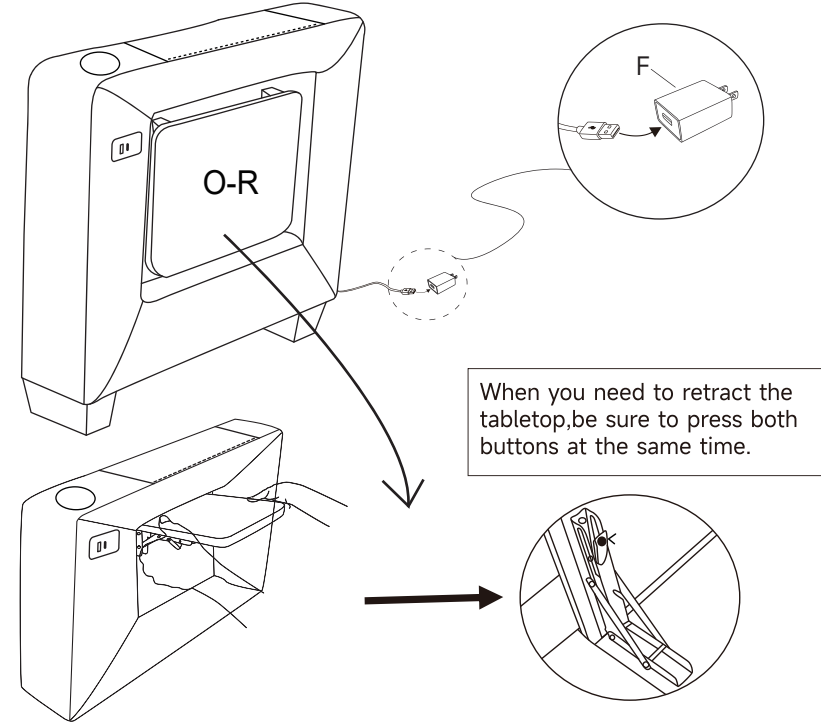


### STEP 2

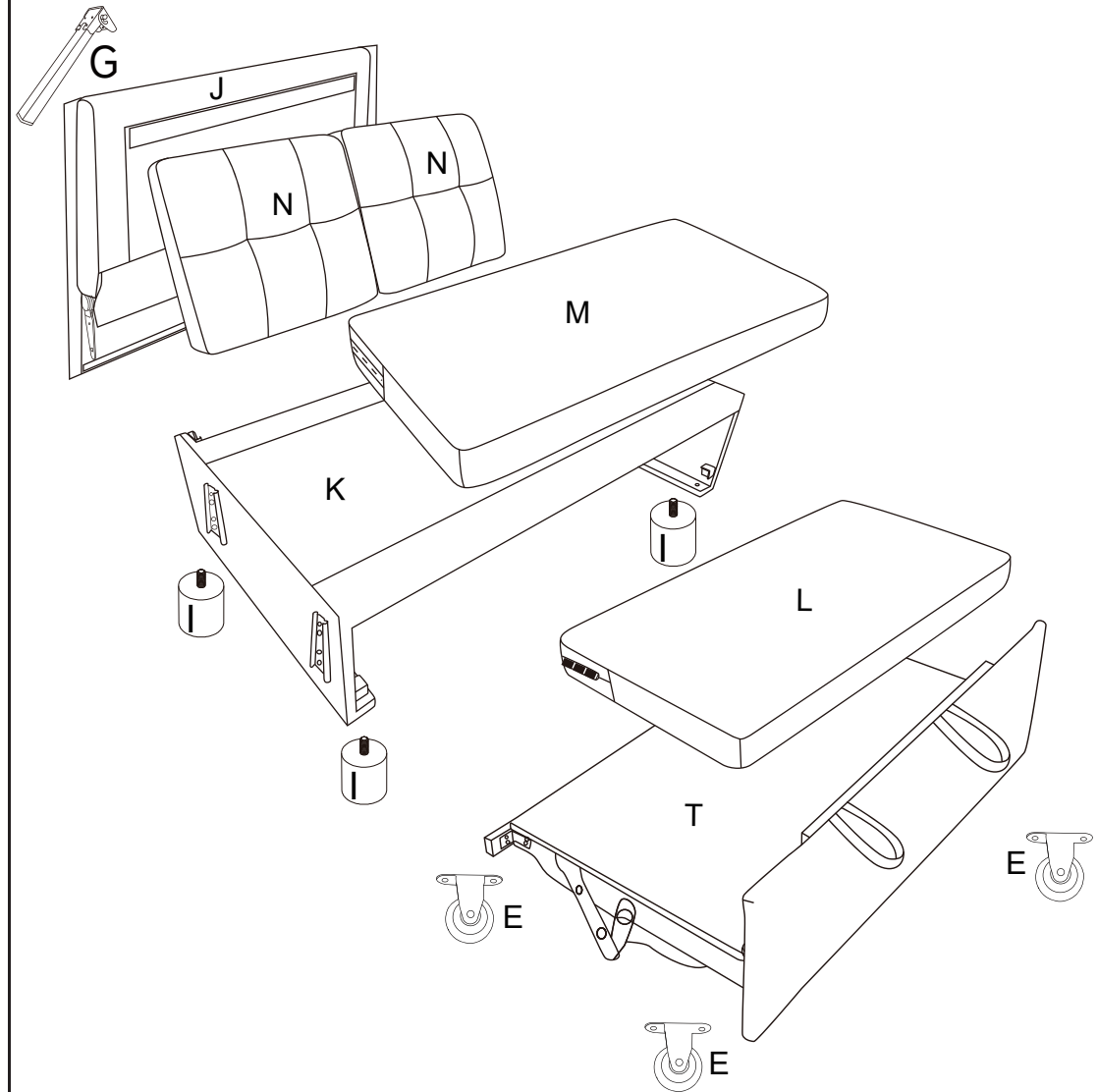
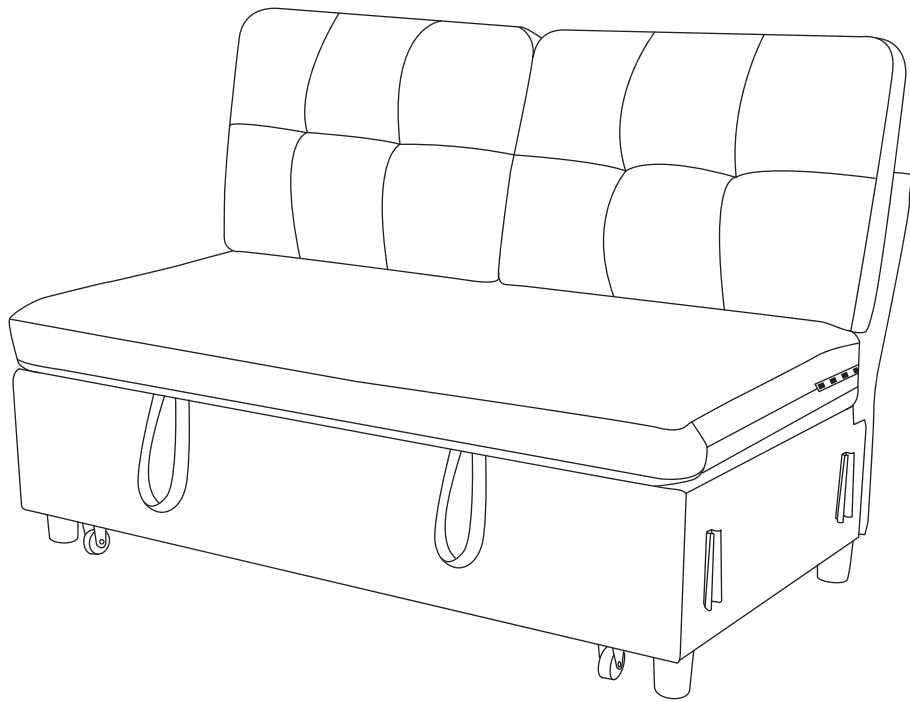


### STEP 3

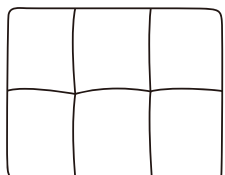
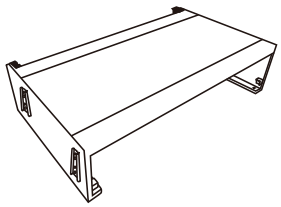
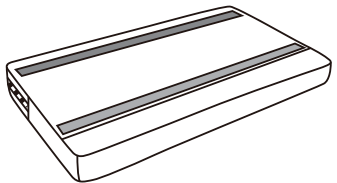
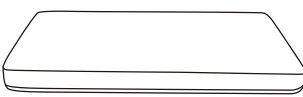
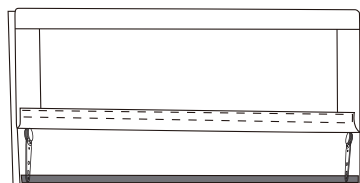
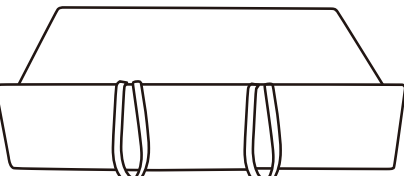



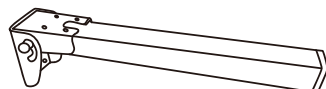
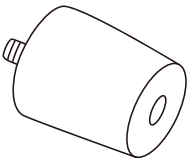
	Fx1
--	-----



# How to Install Loveseat Section



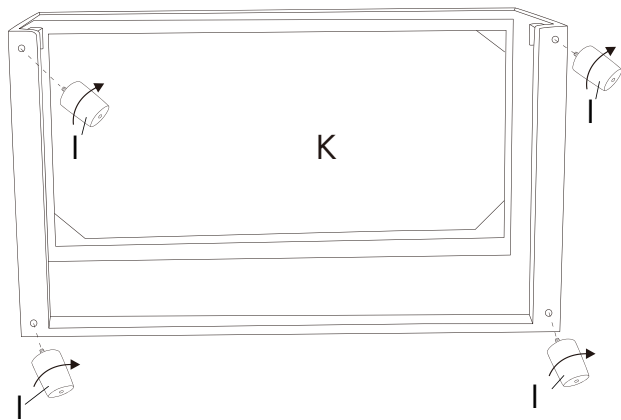
# Main Structure Accessories

<p>(N)</p>  <p>1pcs</p>	<p>(K)</p>  <p>1pcs</p>	<p>(L)</p>  <p>1pcs</p>	<p>(M)</p>  <p>1pcs</p>	<p>(J)</p>  <p>1pcs</p>
<p>(T)</p>  <p>1pcs</p>	<p>(A)</p> <p>M6X20mm</p>  <p>12pcs</p>	<p>(D)</p> <p>M4</p>  <p>1pcs</p>	<p>(E)</p>  <p>4pcs</p>	<p>(G)</p>  <p>2pcs</p>
<p>(I)</p>  <p>4pcs</p>				

# STEP 1

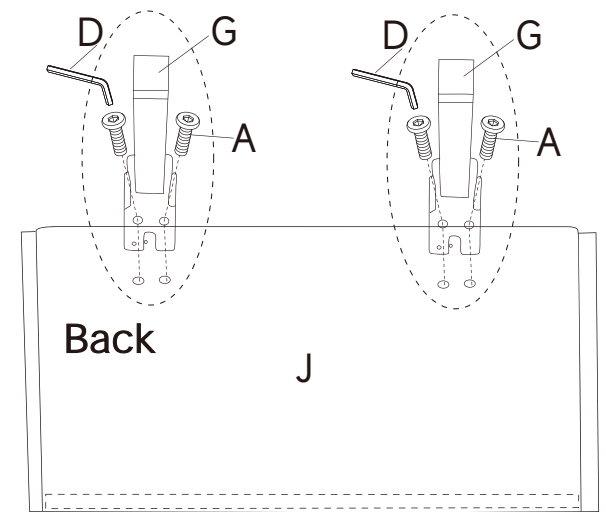
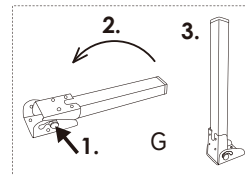


lx4

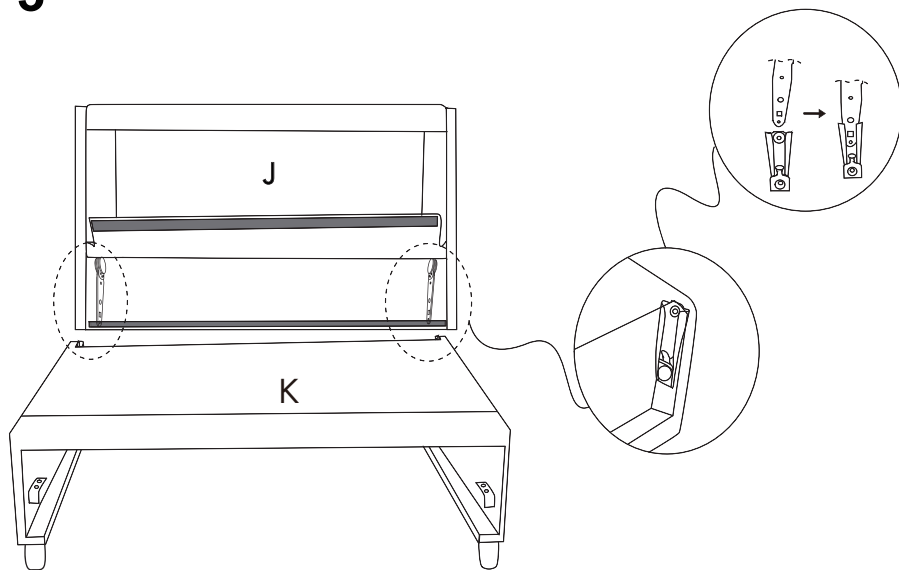


# STEP 2

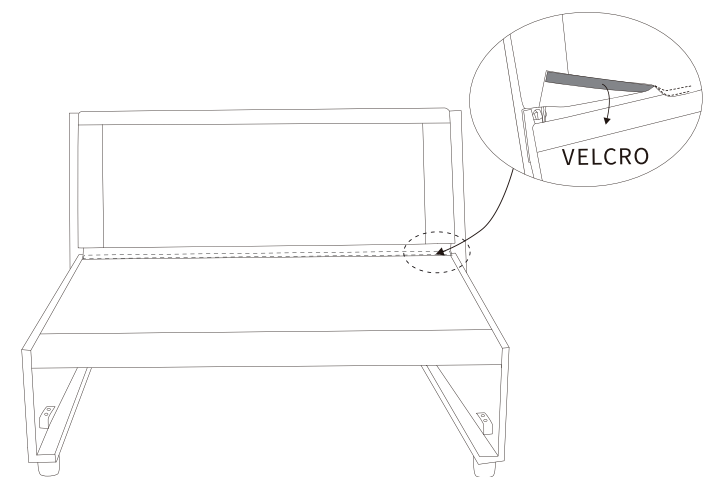
	Ax4
	Dx1
	Gx2



# STEP 3

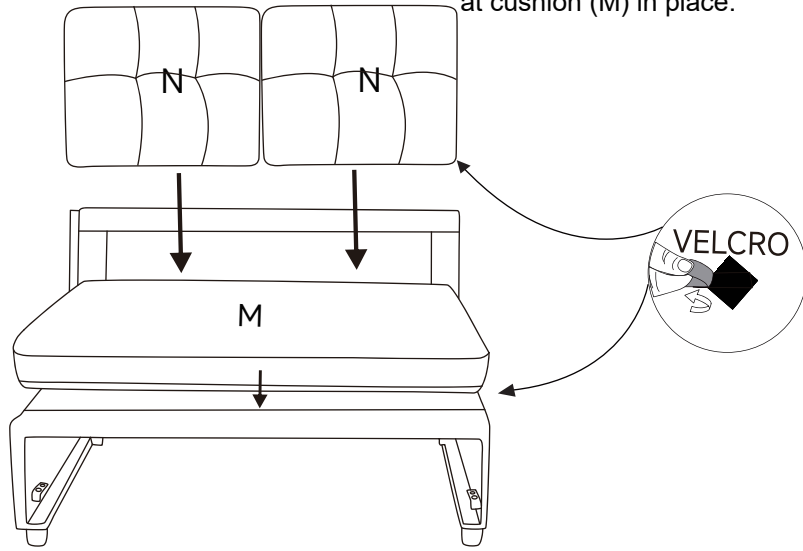


# STEP 4






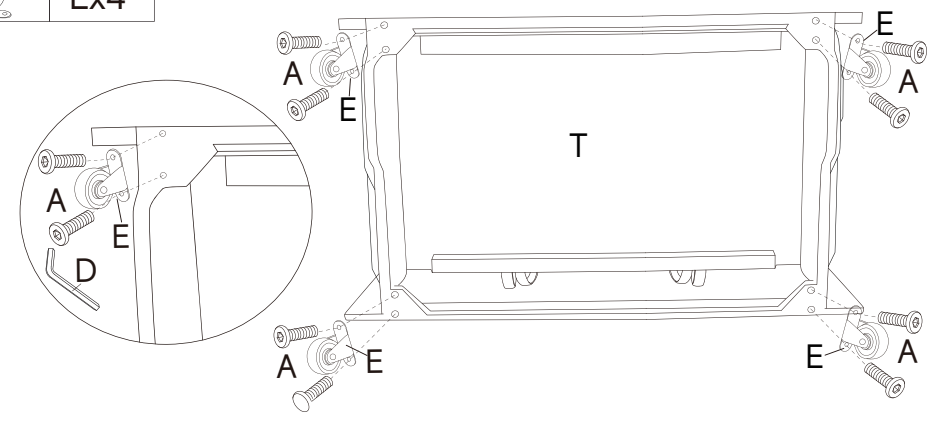
# STEP 5

Peel velcro on backrest & seat base, and then put back pillows (N\*2) & seat cushion (M) in place.

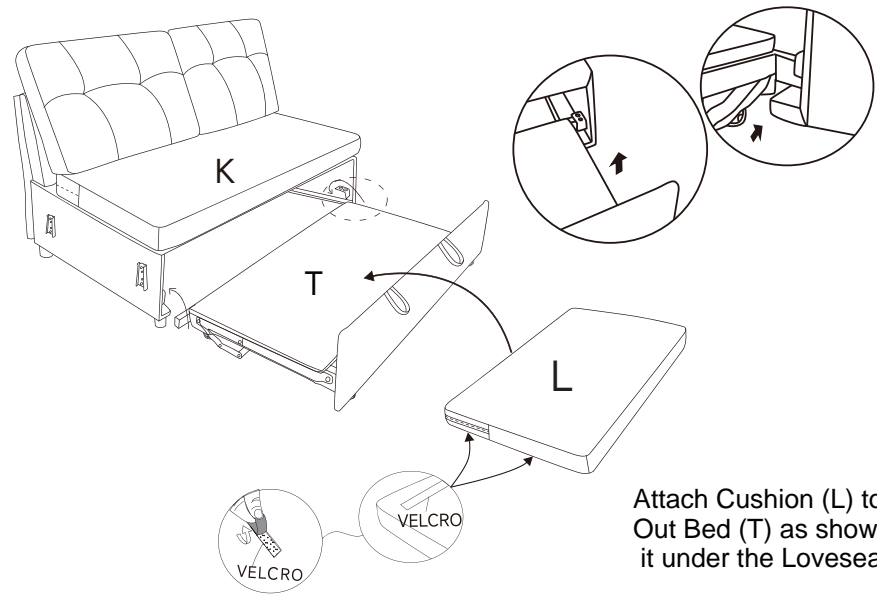


# STEP 6

	Ax8
	Dx1
	Ex4

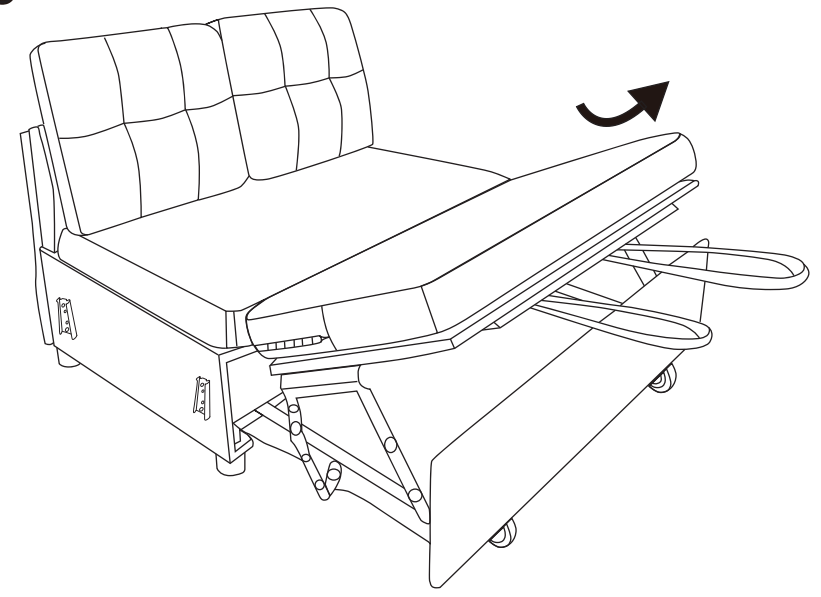


# STEP 7



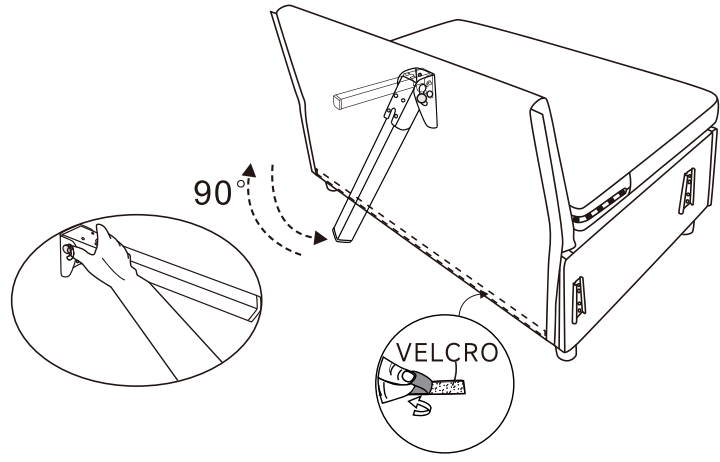
Attach Cushion (L) to the Pull-Out Bed (T) as shown, then slide it under the Loveseat Frame (K).

# STEP 8

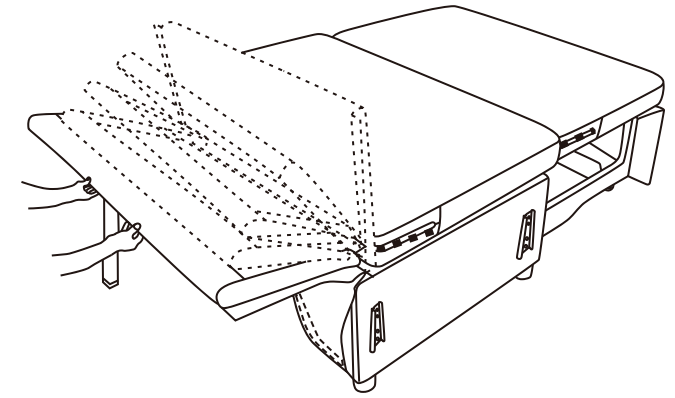


## STEP 9

Press the silver button to open and retract

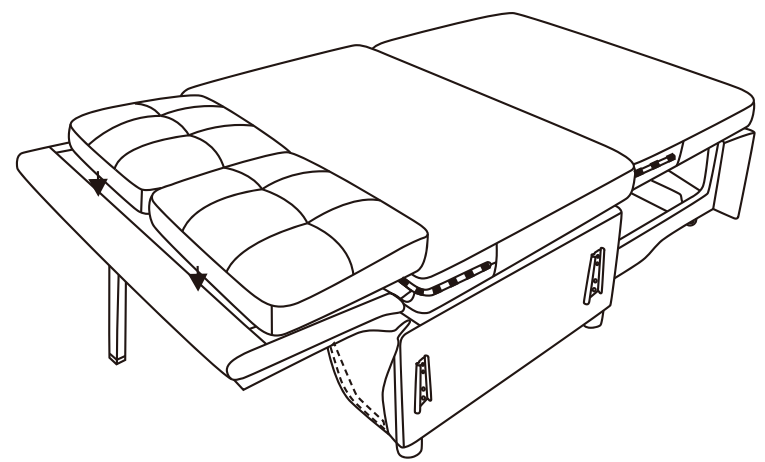


## STEP 10



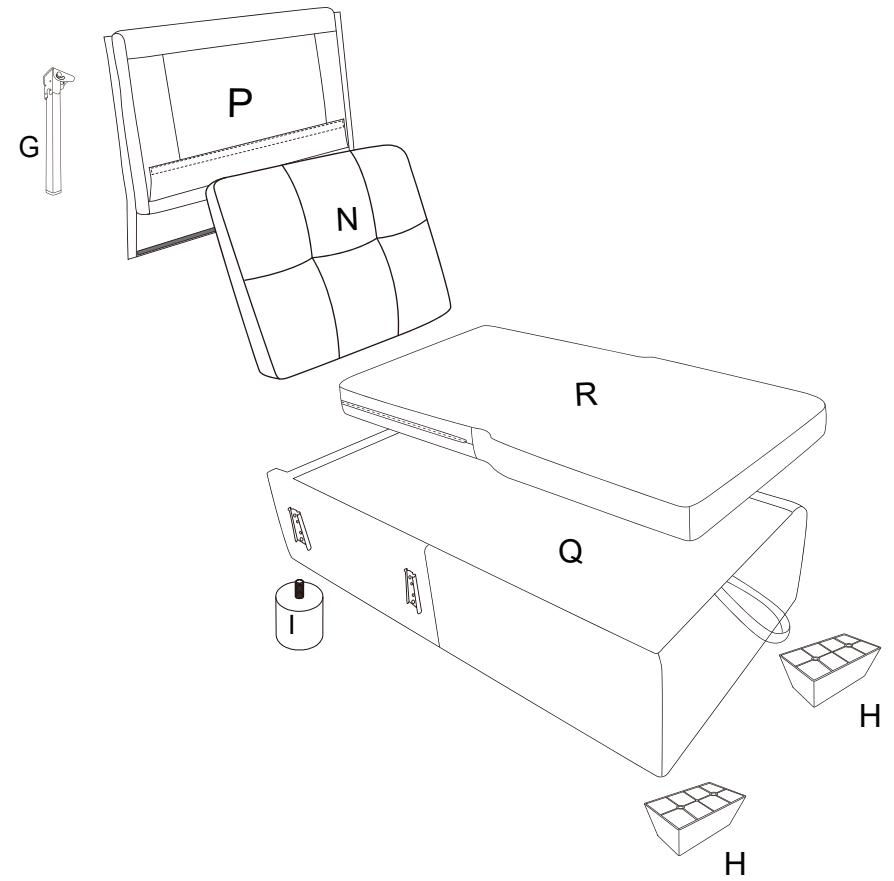
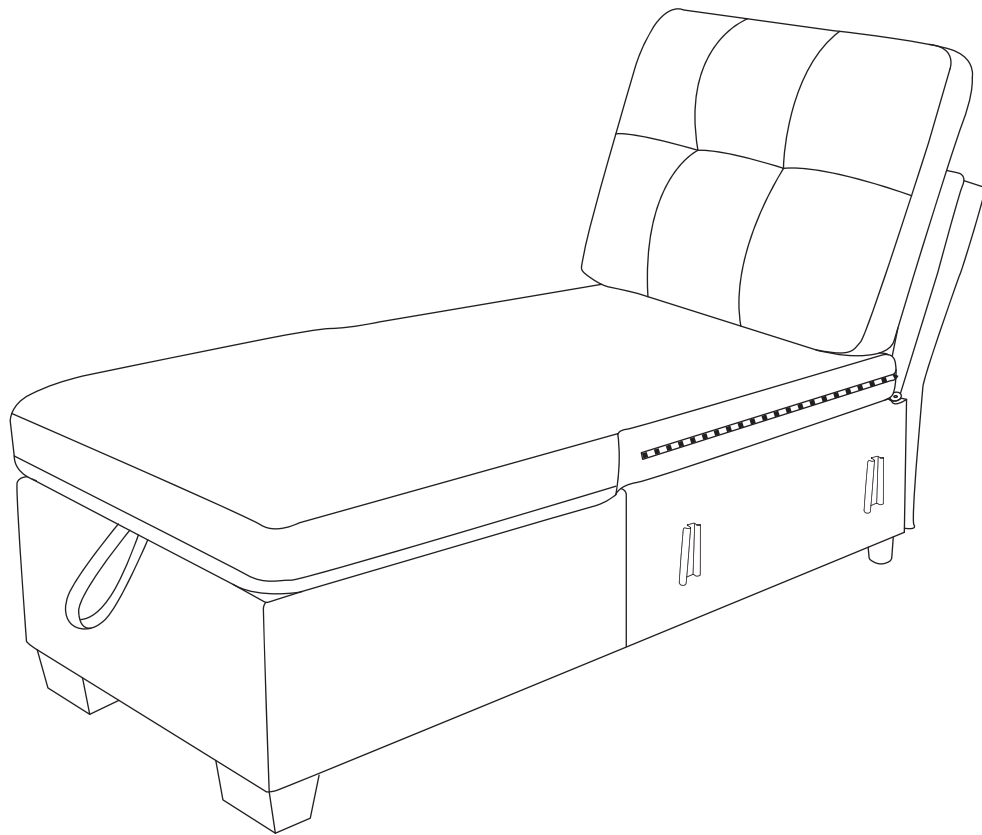
Gently push the backrest forward with both hands to adjust the recline position (5 positions).

## STEP 11

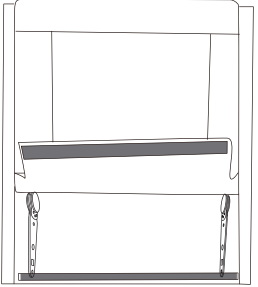

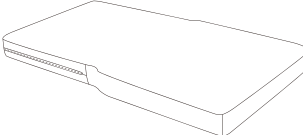
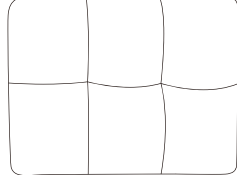
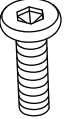
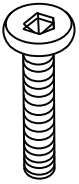


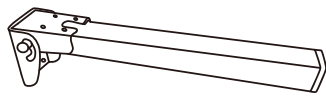
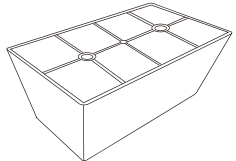
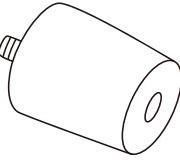


Installation Complete

# How To Install Chaise Section







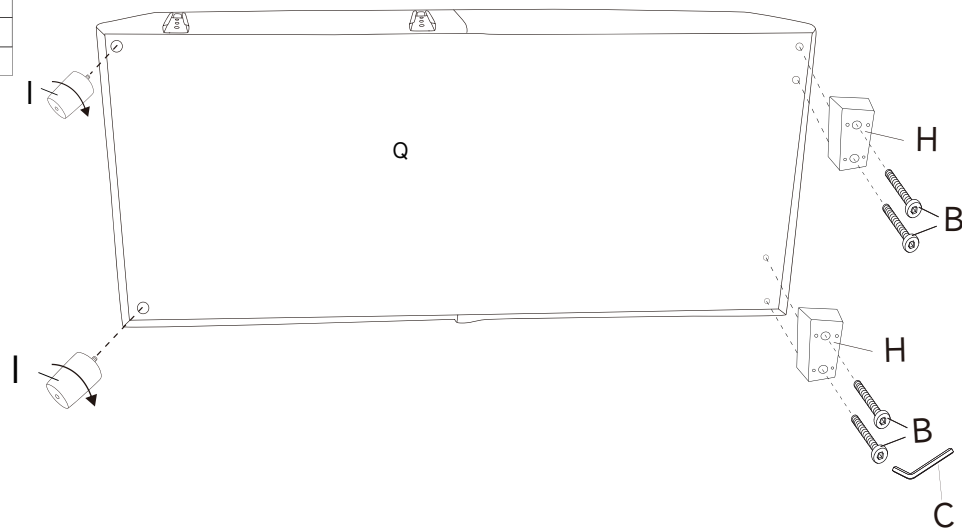
# Main Structure Accessories

<p><b>P</b></p>  <p>1pc</p>	<p><b>Q</b></p>  <p>1pc</p>	<p><b>R</b></p>  <p>1pc</p>	<p><b>M</b></p>  <p>1pcs</p>	<p><b>A</b> M6X20mm</p>  <p>2pcs</p>
<p><b>B</b> M8X60mm</p>  <p>4pcs</p>	<p><b>C</b> M5</p>  <p>1pcs</p>	<p><b>D</b> M4</p>  <p>1pcs</p>	<p><b>G</b></p>  <p>1pcs</p>	<p><b>H</b></p>  <p>2pcs</p>
<p><b>I</b></p>  <p>2pcs</p>				



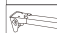
# For the U-Shaped (Double Chaise) Sofa Configuration, Install the Chaise Section Twice!

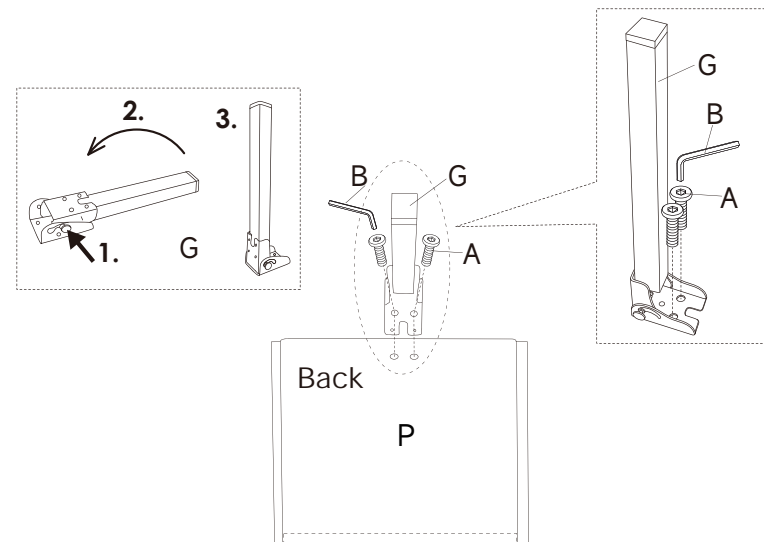
## STEP 1

	Bx4
	Cx1
	Fx2
	Sx2



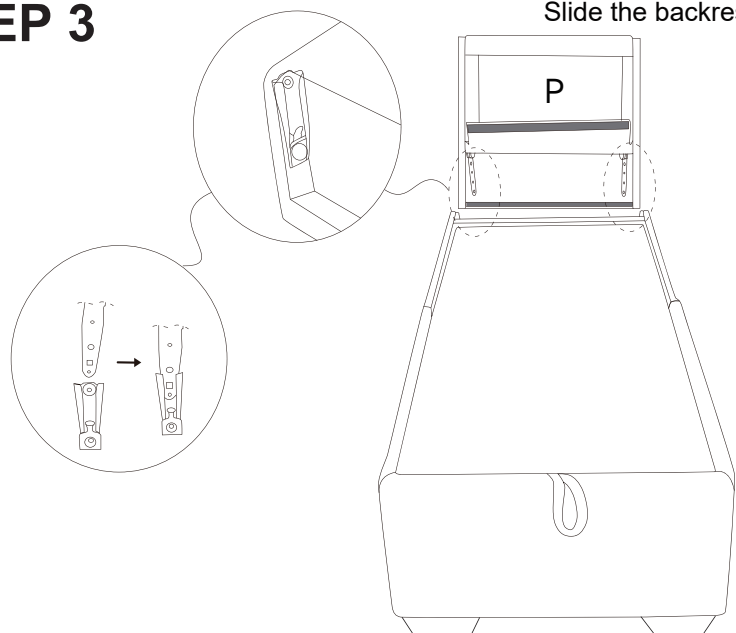
## STEP 2

	Ax2
	Dx1
	Gx1

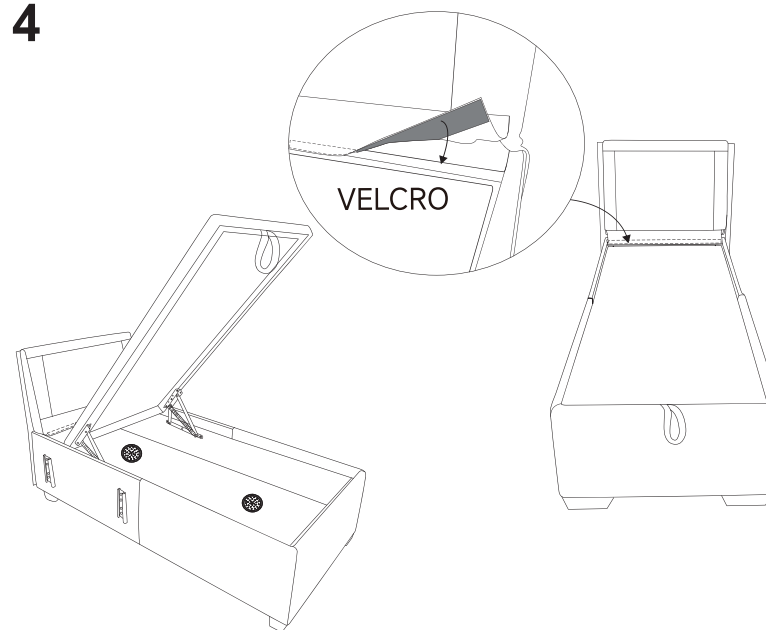


## STEP 3

Slide the backrest (P) into the chaise

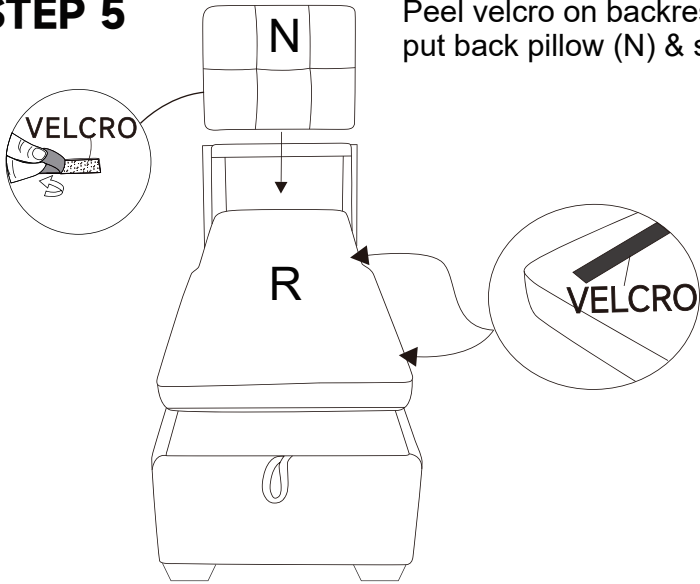


## STEP 4

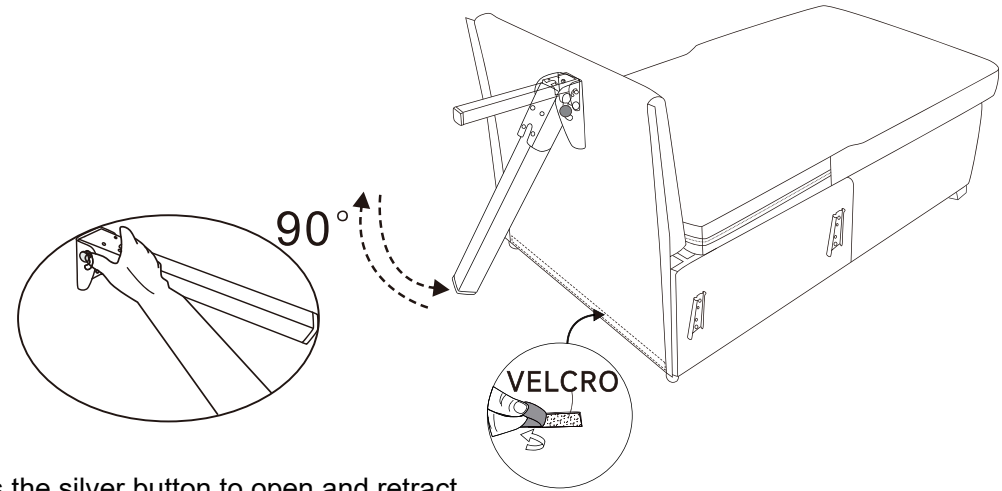


### STEP 5

Peel velcro on backrest & seat base, and then put back pillow (N) & seat cushion (R) in place.

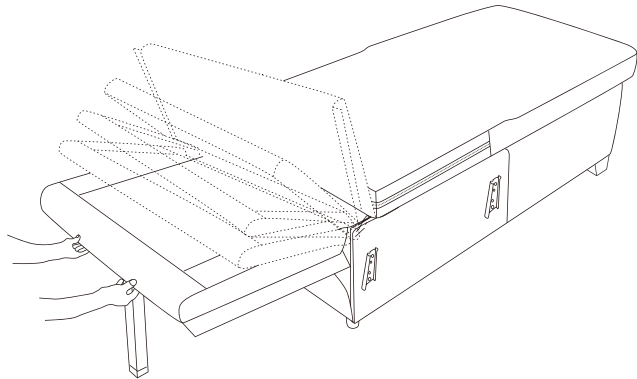


### STEP 6



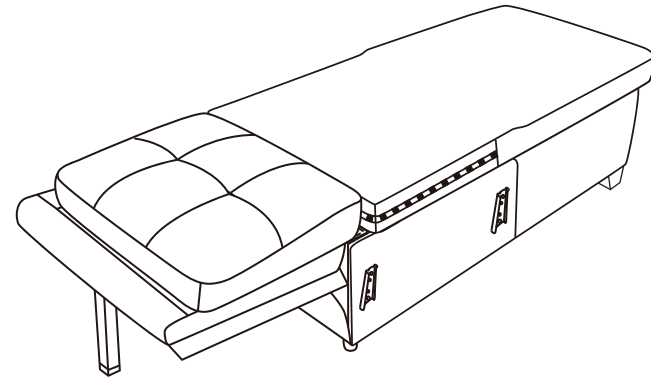
Press the silver button to open and retract

### STEP 7



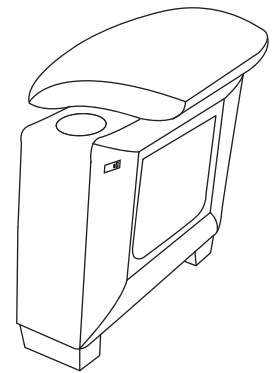
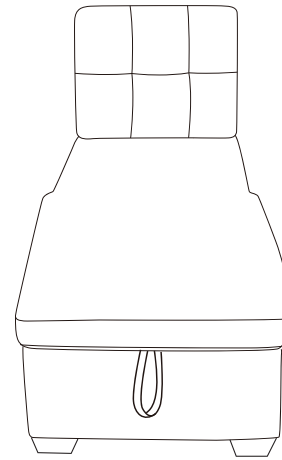
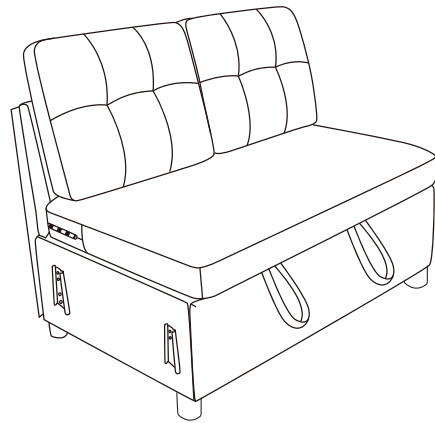
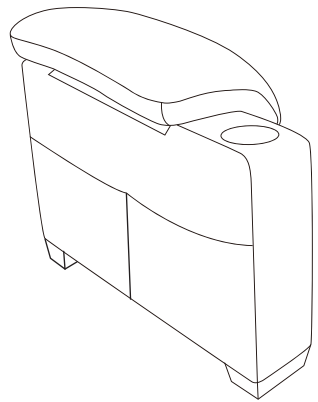
Gently push the backrest forward with both hands to adjust the recline position (5 positions).

### STEP 8



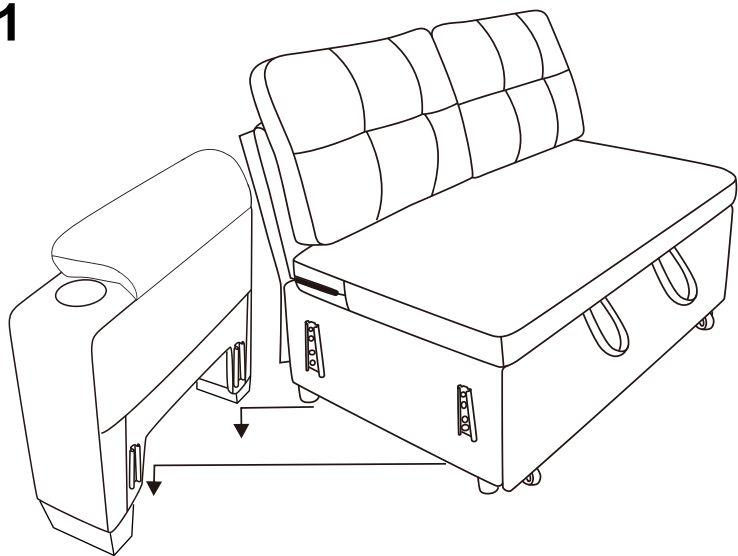
For the u-shaped (double chaise) sofa configuration, install the chaise section twice.

# How to Connect Armrest, Chaise&Loveseat for L-Shaped Sofa



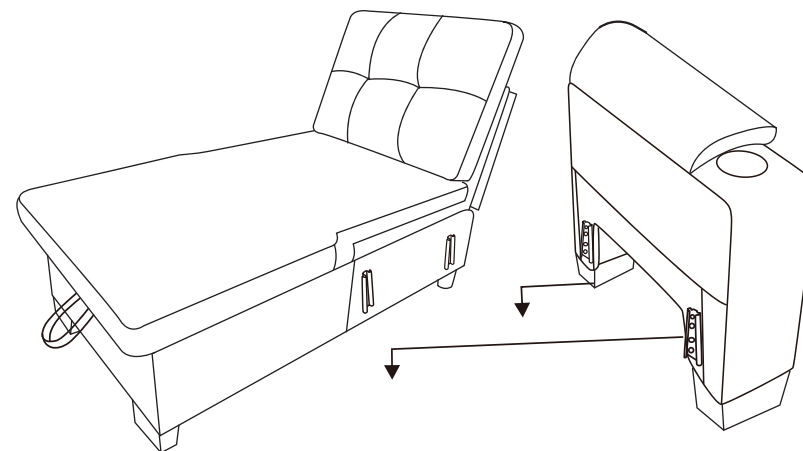
# Configuration-1: When the Chaise is on the Right Side

## STEP 1



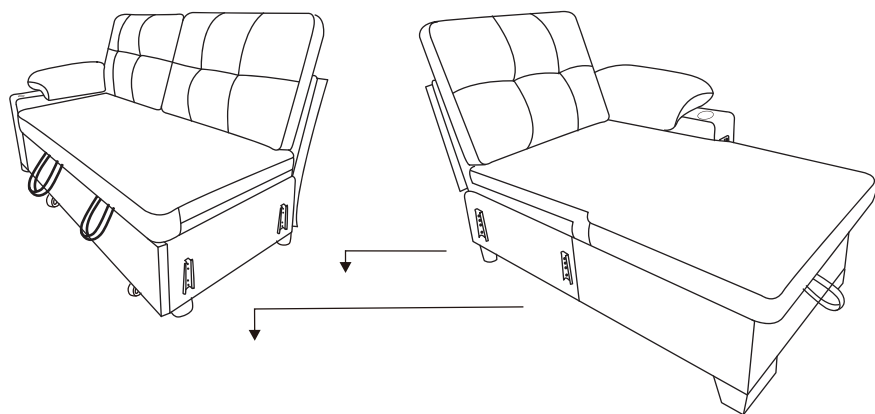
Plug loveseat into left armrest(O-L)

## STEP 2



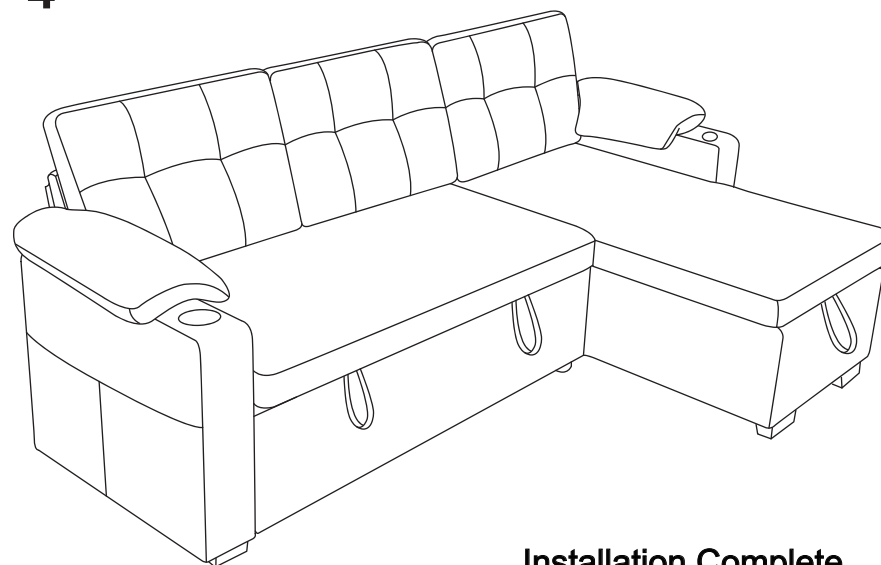
Plug right armrest(O-R) into chaise

## STEP 3



Plug chaise into loveseat

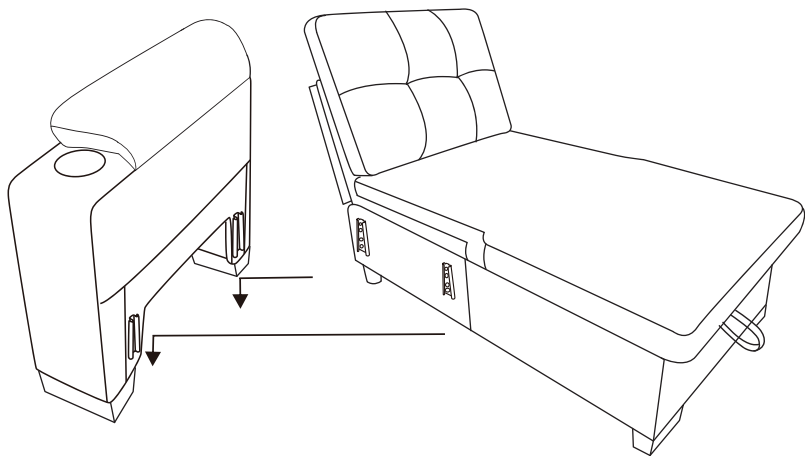
## STEP 4



Installation Complete

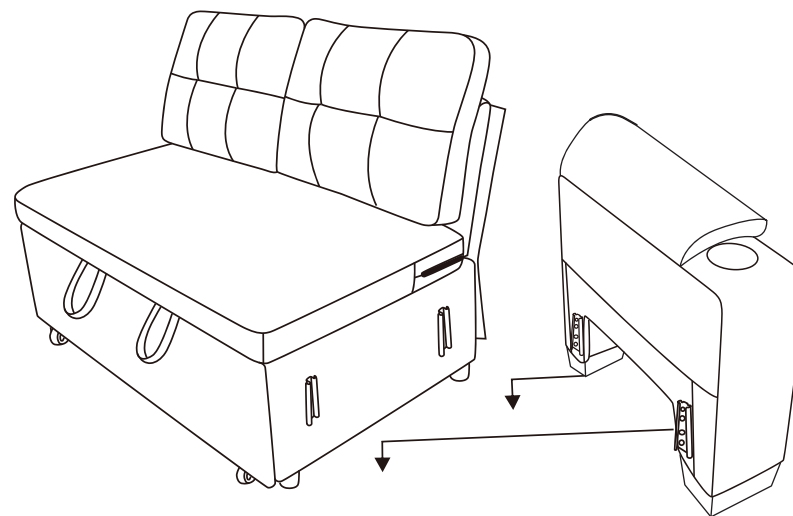
# Configuration-2: When the Chaise is on the Left Side

## STEP 1



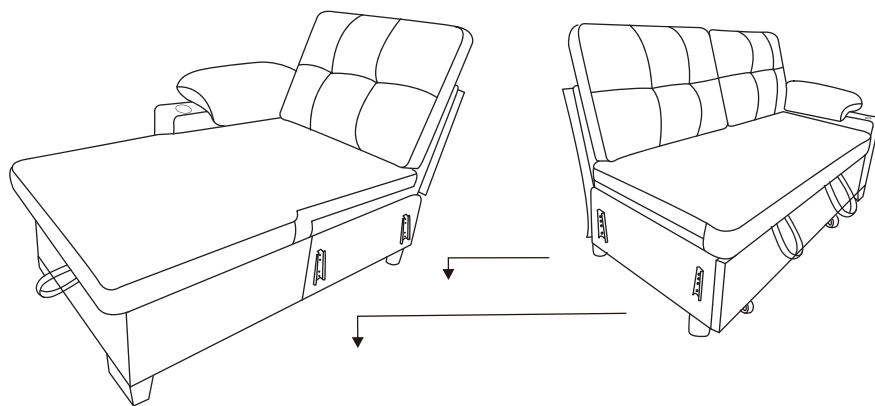
Plug chaise into left armrest(O-L)

## STEP 2



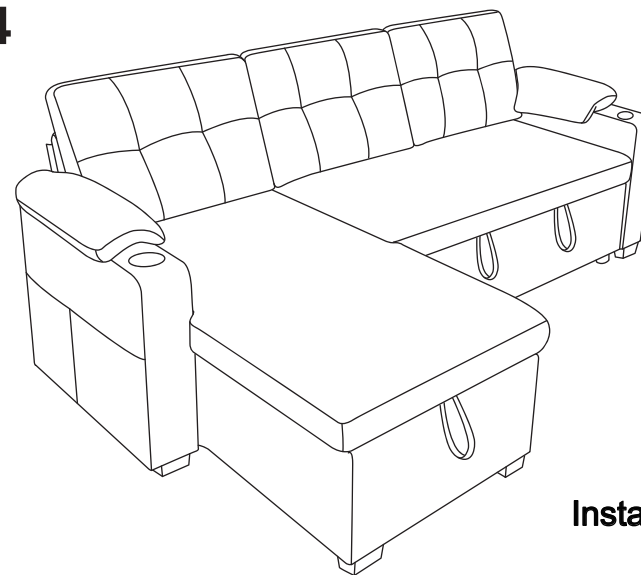
Plug right armrest(O-R) into loveseat

## STEP 3



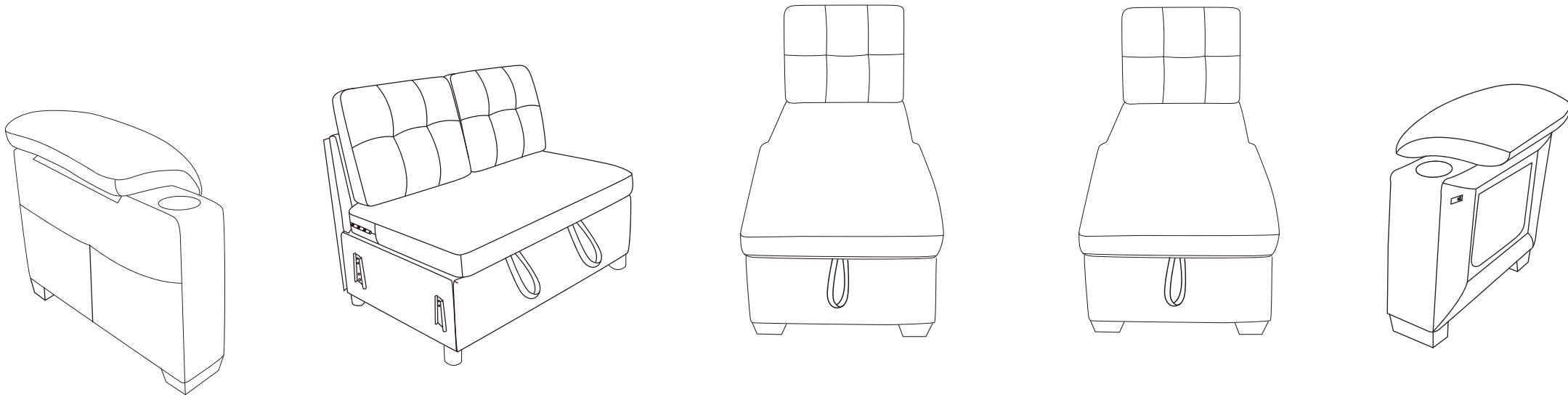
Plug loveseat into chaise

## STEP 4

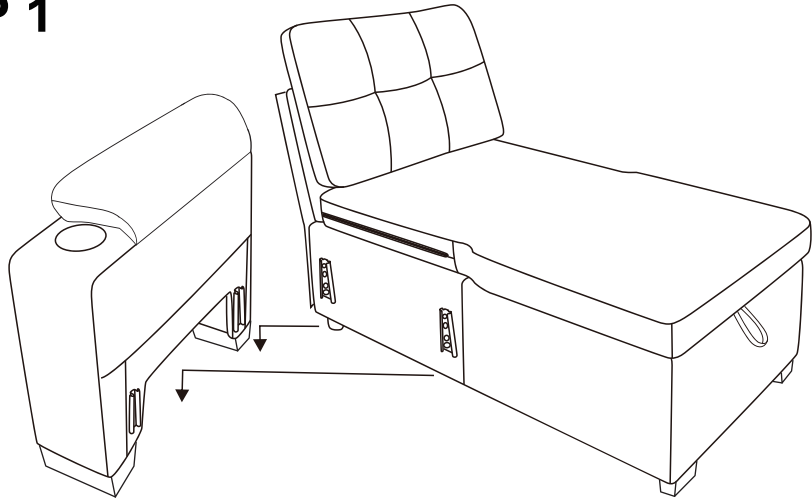


Installation Complete

# How to Connect Armrest, Chaise & Loveseat for U-Shaped Sofa

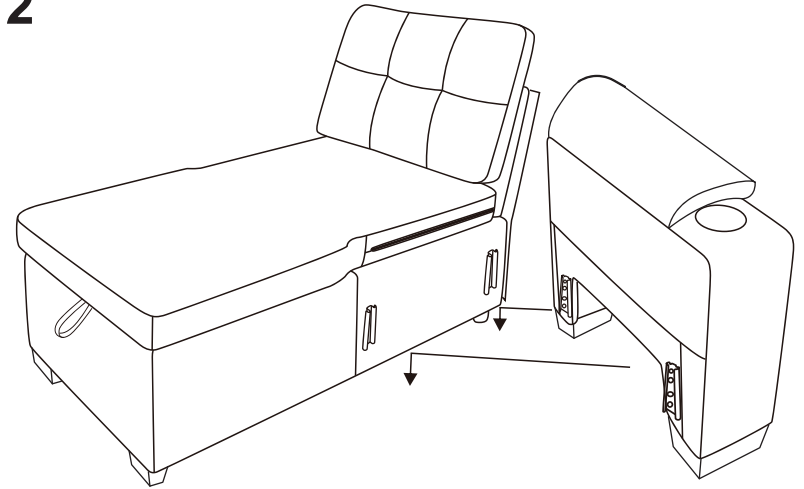


**STEP 1**



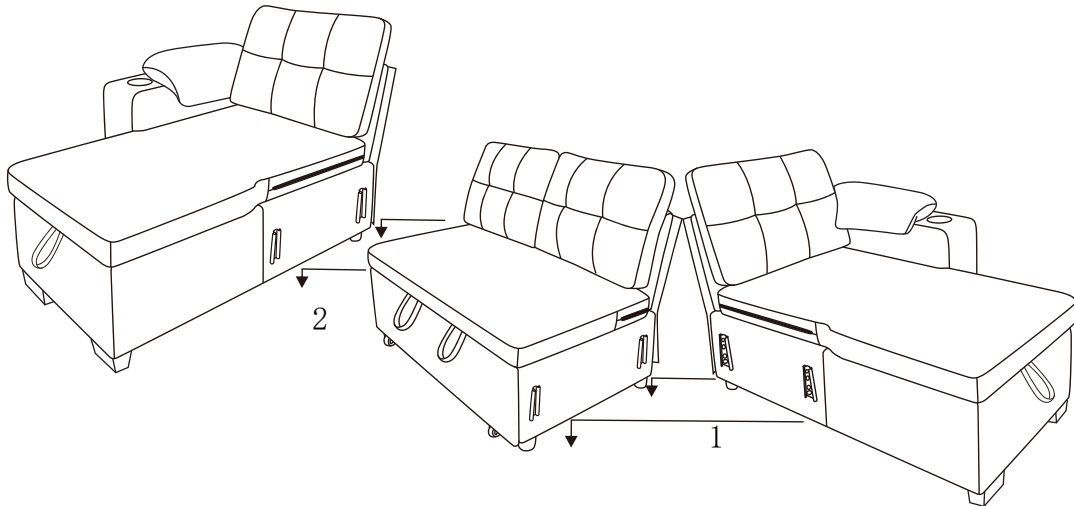
Plug chaise into left armrest(O-L)

**STEP 2**



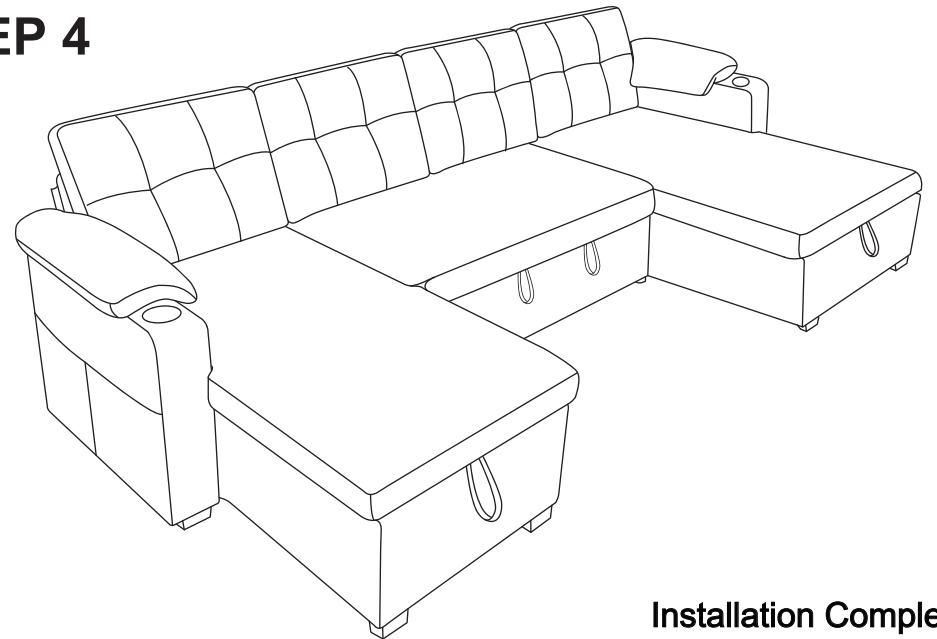
Plug right armrest(O-R) into chaise

**STEP 3**

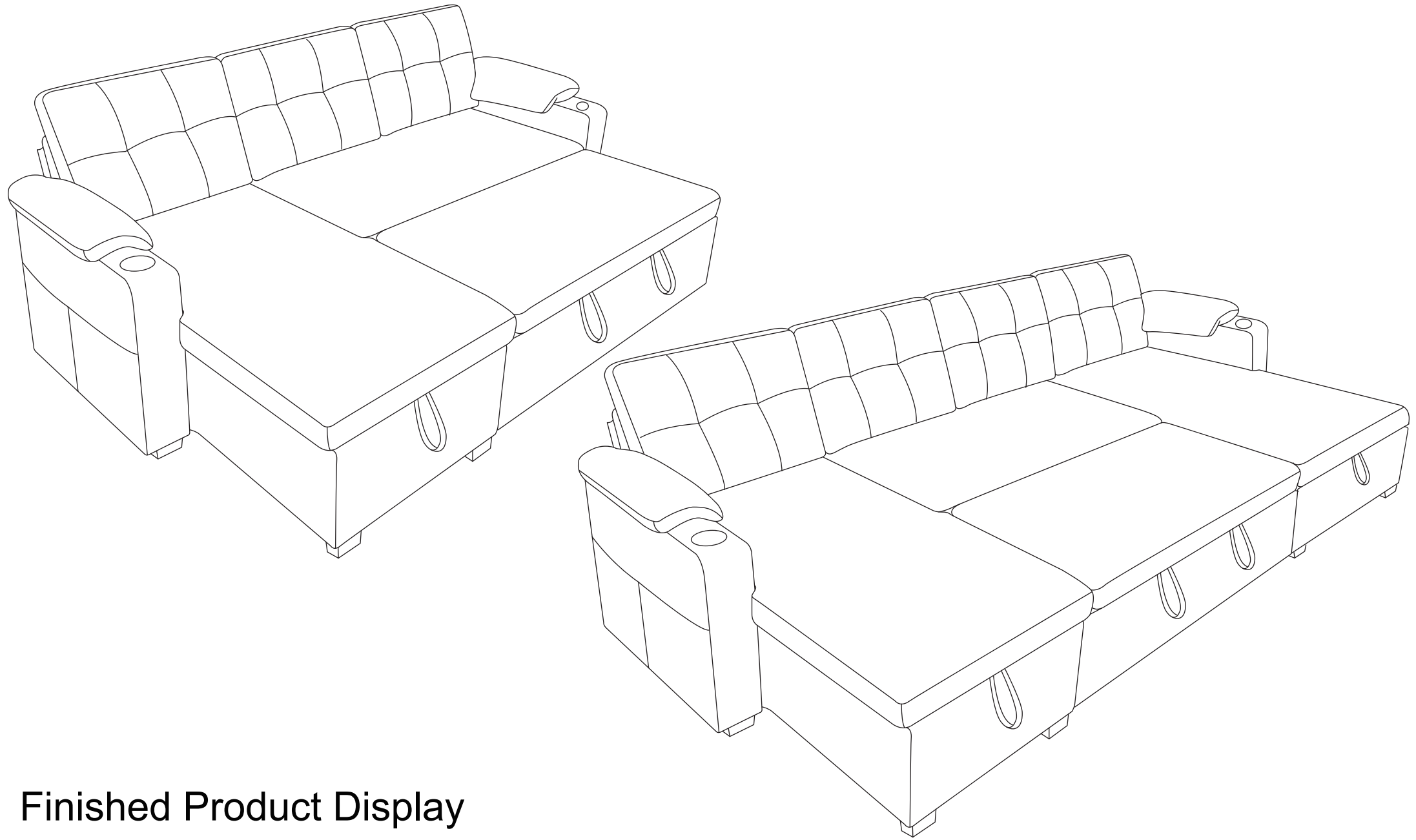


Please install the corresponding parts by following steps 1 and 2

**STEP 4**



**Installation Complete**



Finished Product Display