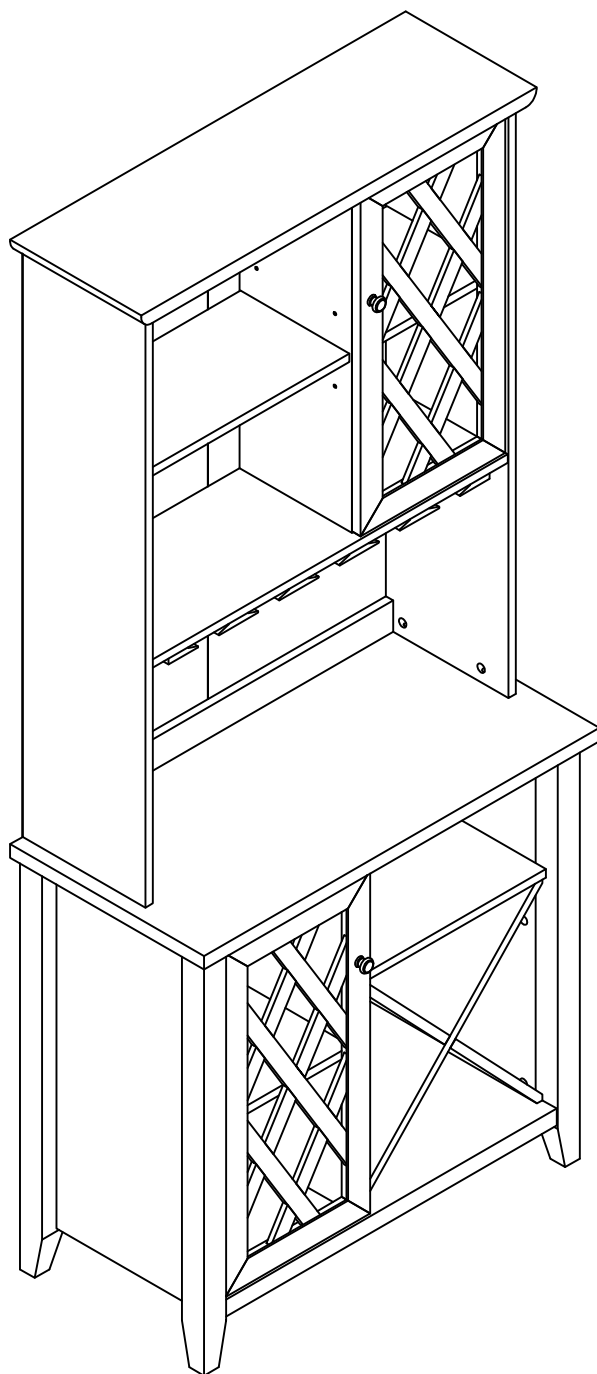
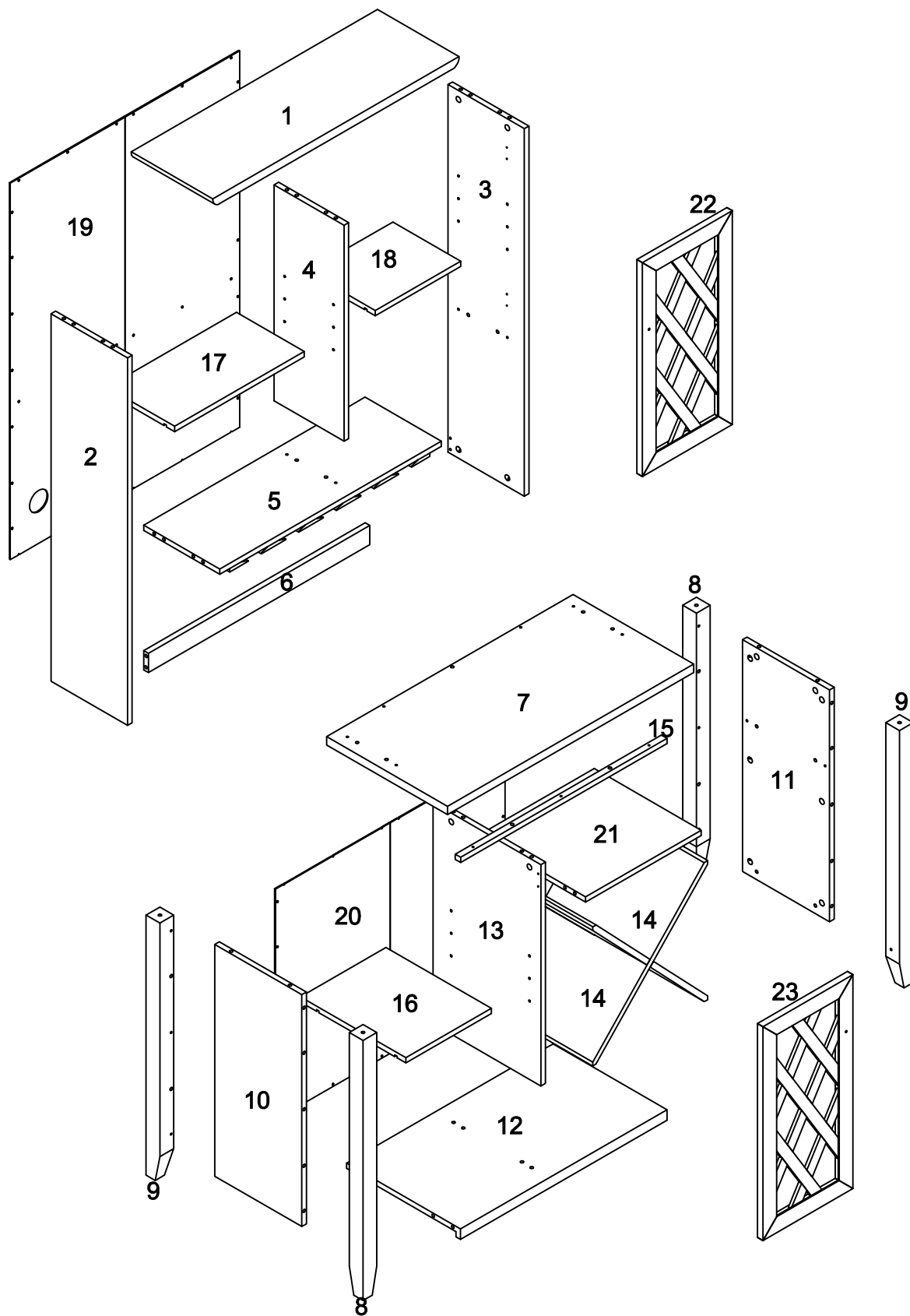


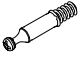



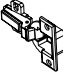






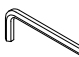







# ASSEMBLY INSTRUCTION



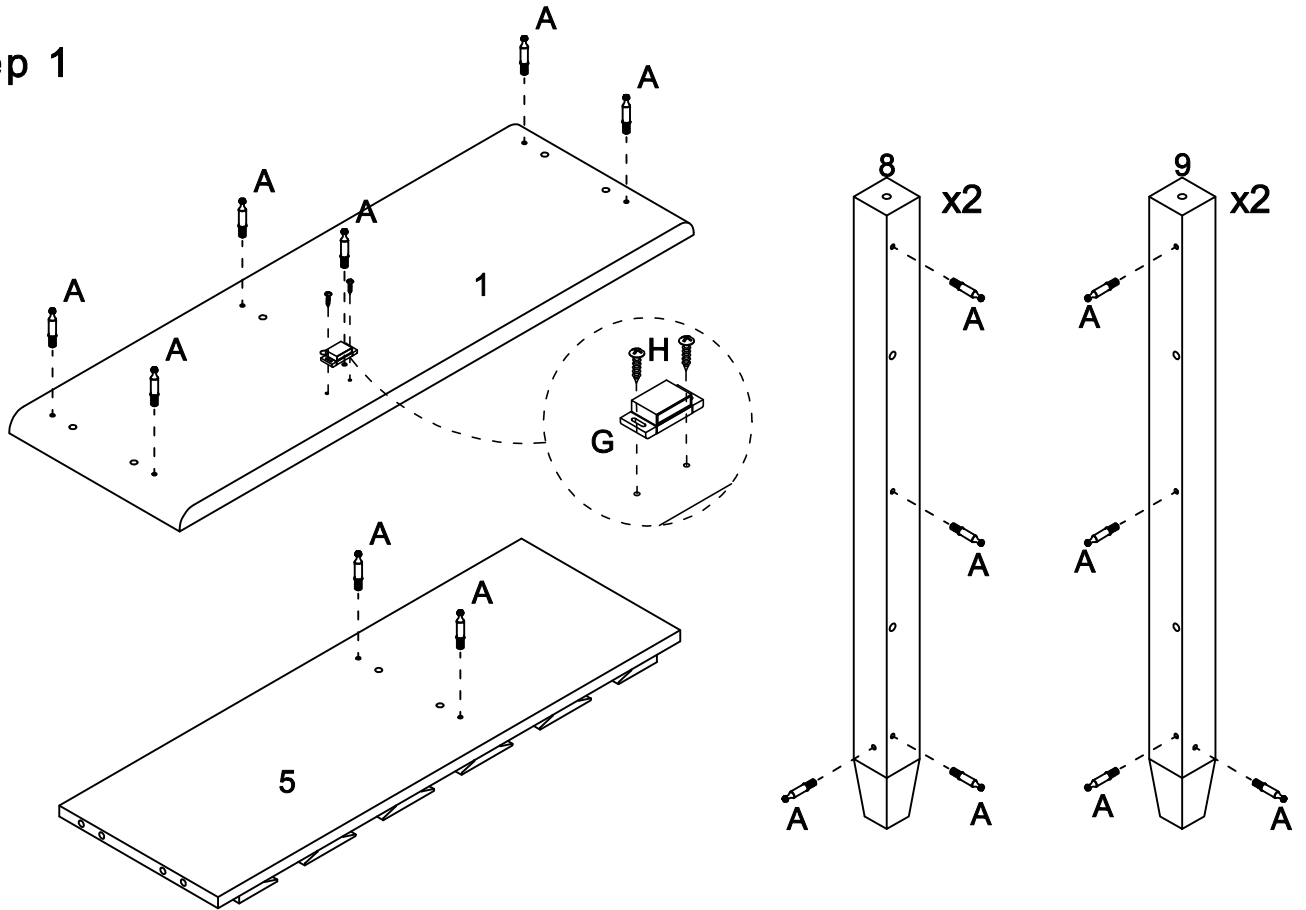
# Parts List



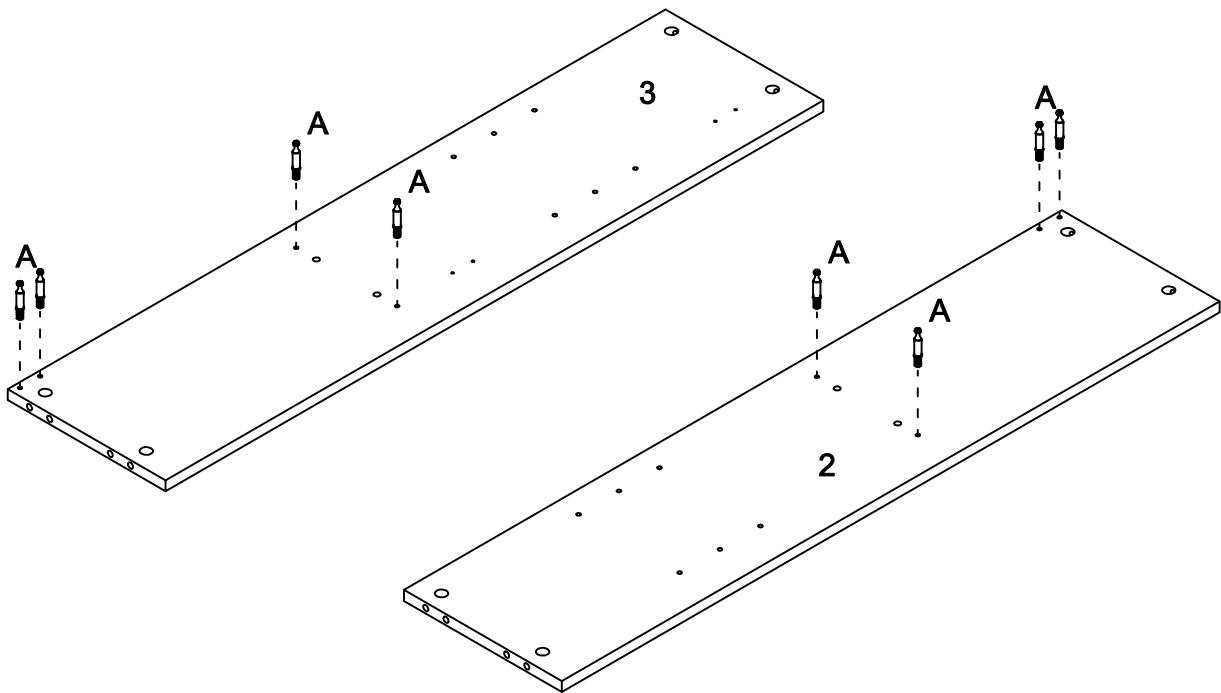
## Hardware List

A		Ø5*25mm	Bolt	48 pcs
B		Ø15*11mm	Nut	48 pcs
C		Ø8*30mm	Wood Dowel	43 pcs
D		Ø5*16mm	Shelf Support	12 pcs
E		Ø26mm	Hinge	4 pcs
F		Ø4*15mm	Screw	16 pcs
G		44x16x12mm	Magnet	2 pcs
H		Ø3.5*15mm	Screw	4 pcs
I		30x22x1mm	Iron Sheet	2 pcs
J		Ø2*12mm	Screw	2 pcs
K		Ø6*50mm	Bolt	2 pcs
L		M4	Allen Key	1 pc
M		Ø4*25mm	Screw	3pcs
N		Ø31*25mm	Handle	2 pcs
O		Ø4*24mm	Bolt	2 pcs
P		Ø3*15mm	Screw	48 pcs
Q			Glue	1 pc
R			Paper Cover	10 pcs
S			Anti-Tipping Kit	2 sets

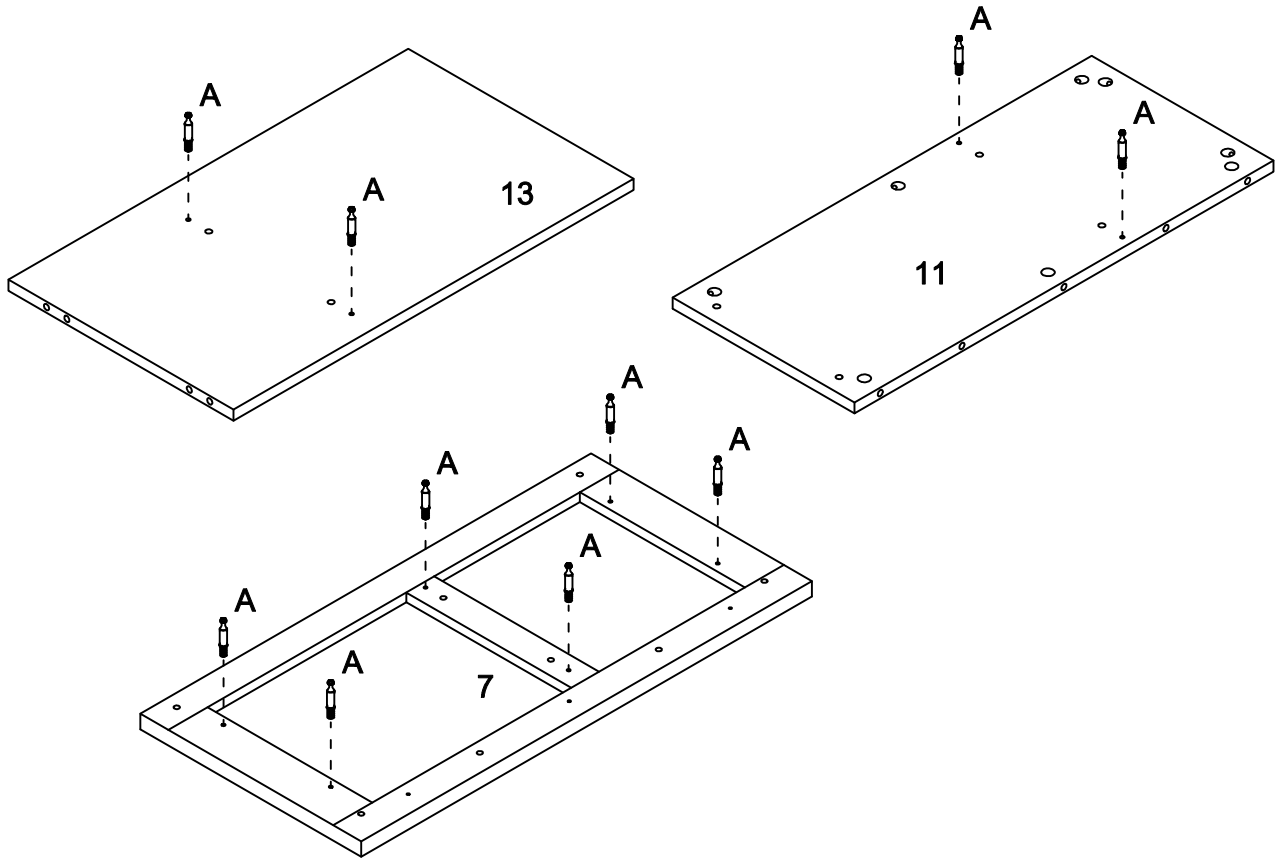
## Step 1



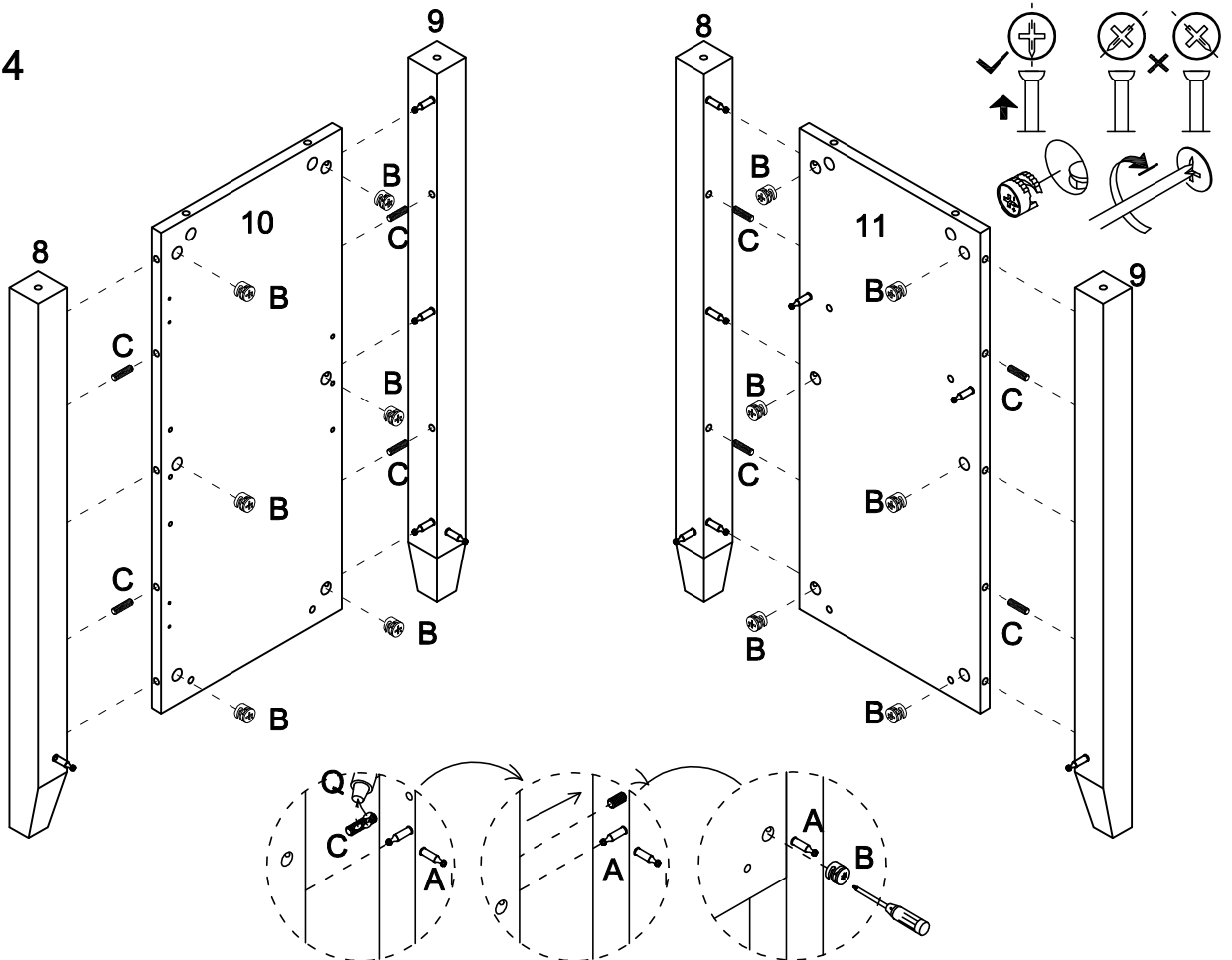
## Step 2



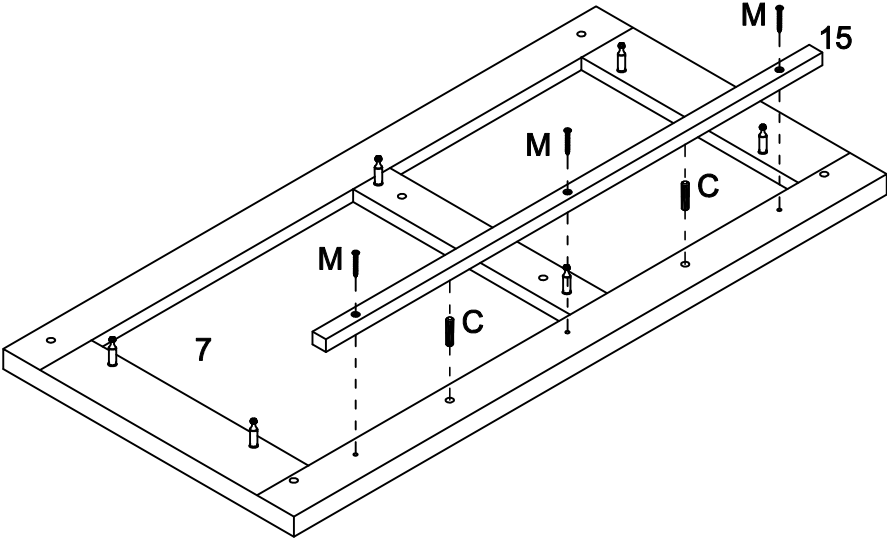
### Step 3



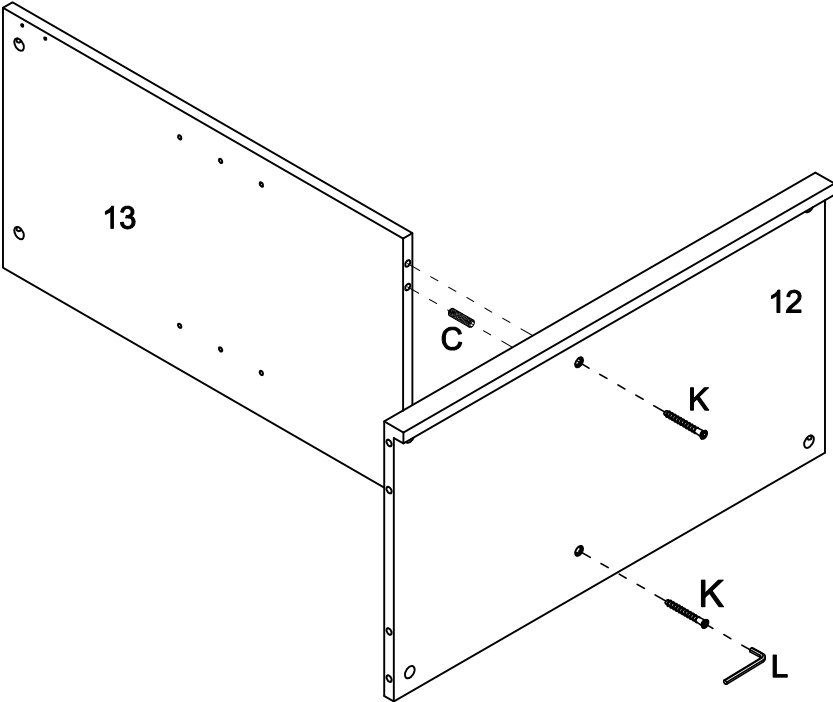
### Step 4



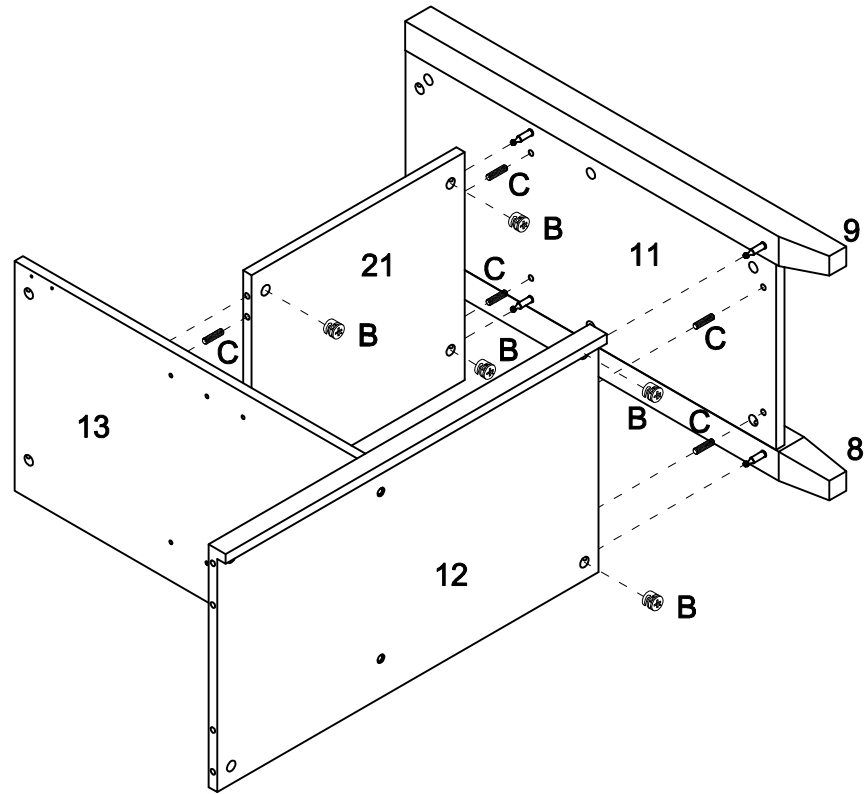
Step 5



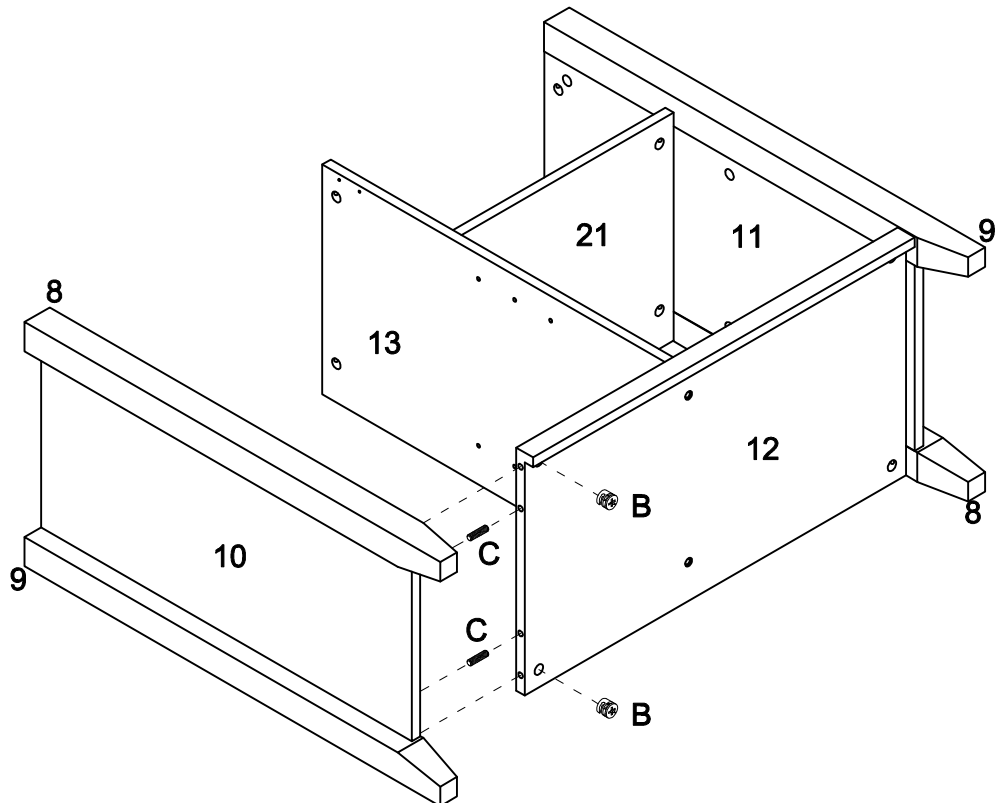
Step 6



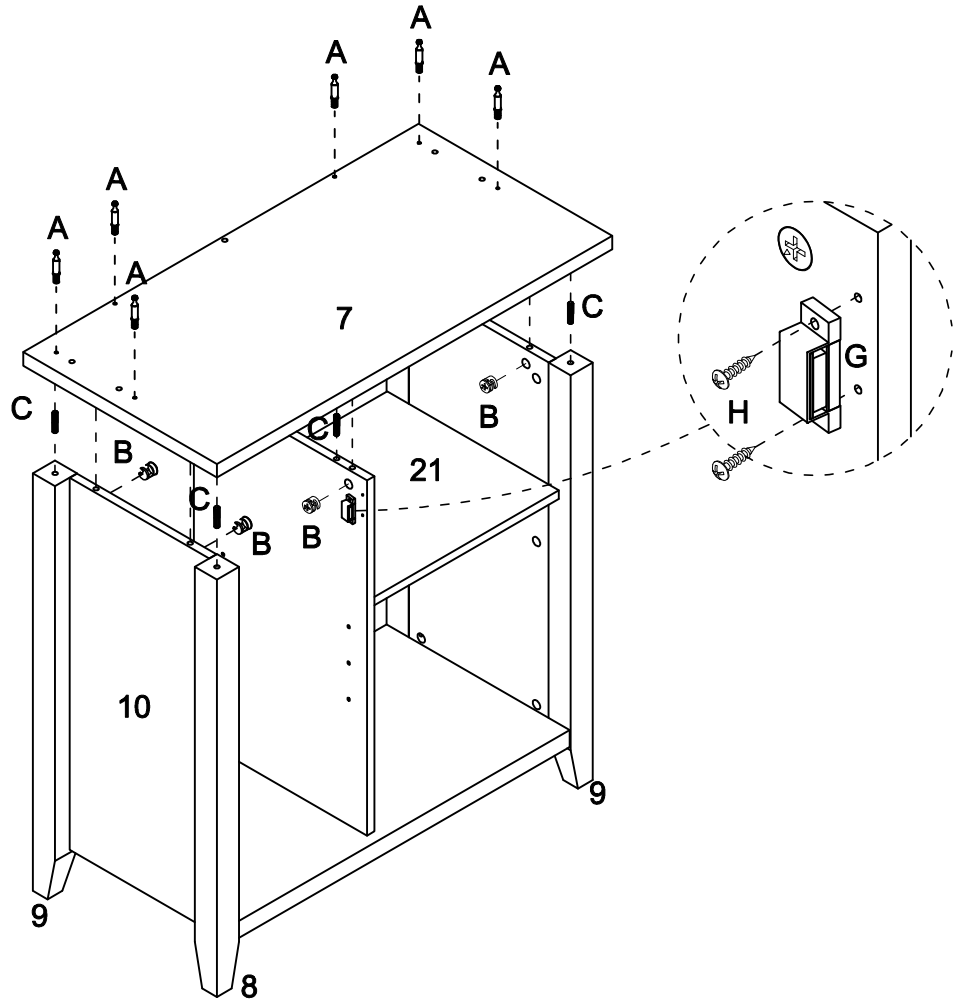
## Step 7



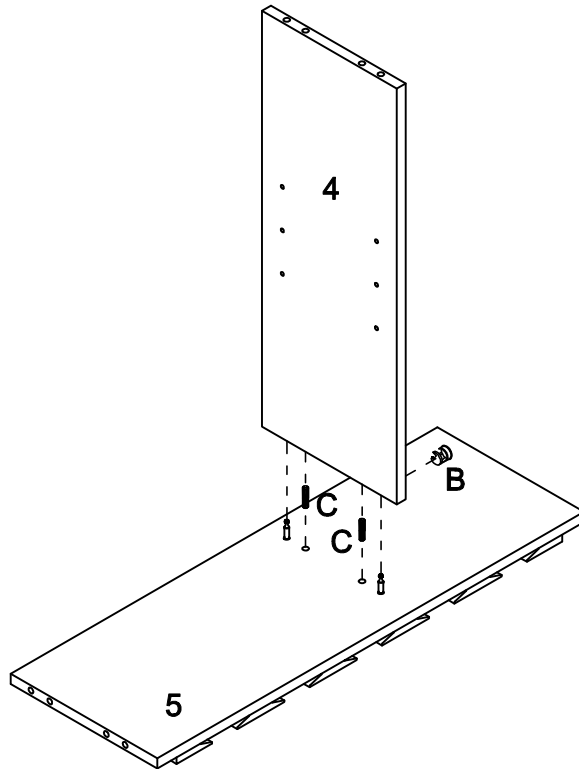
## Step 8



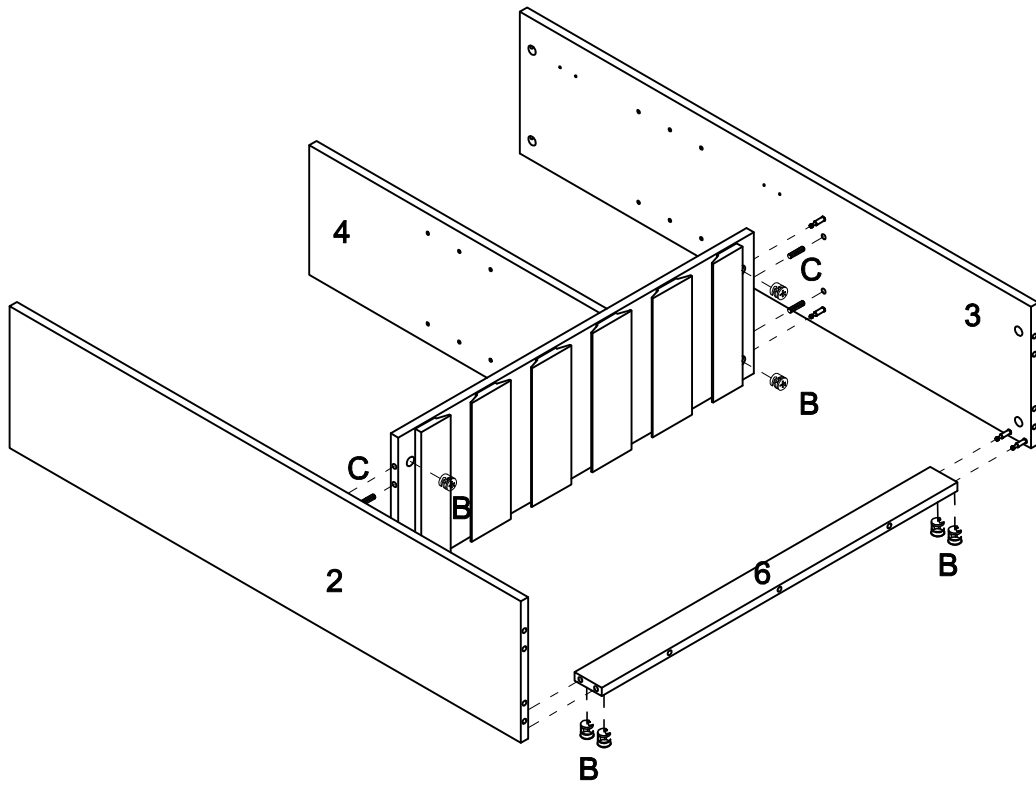
# Step 9



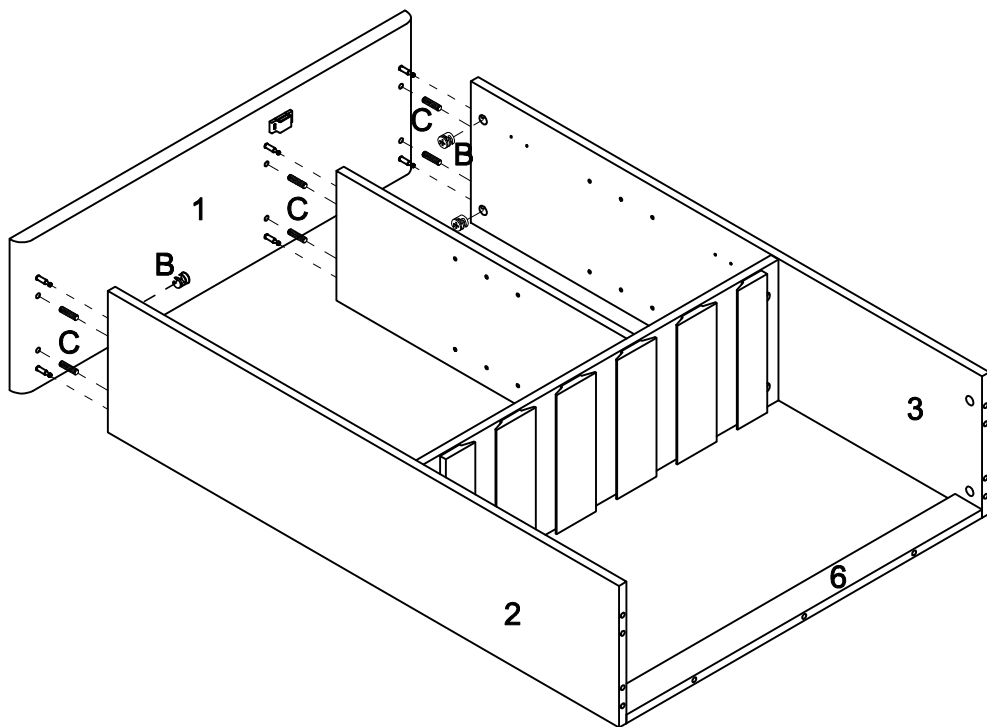
# Step 10



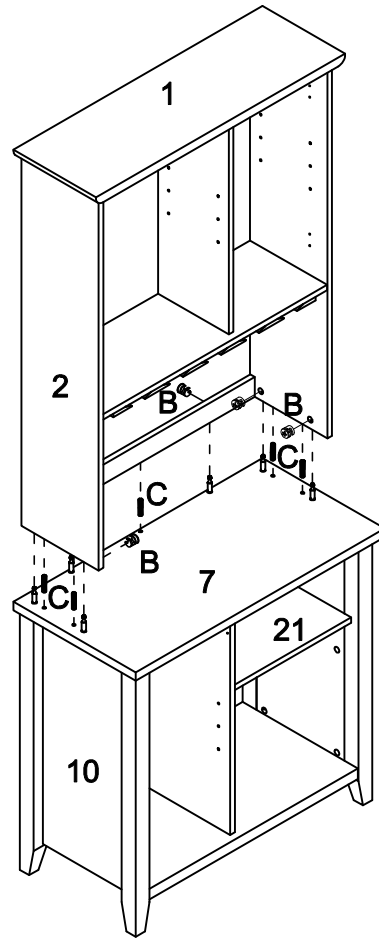
## Step 11



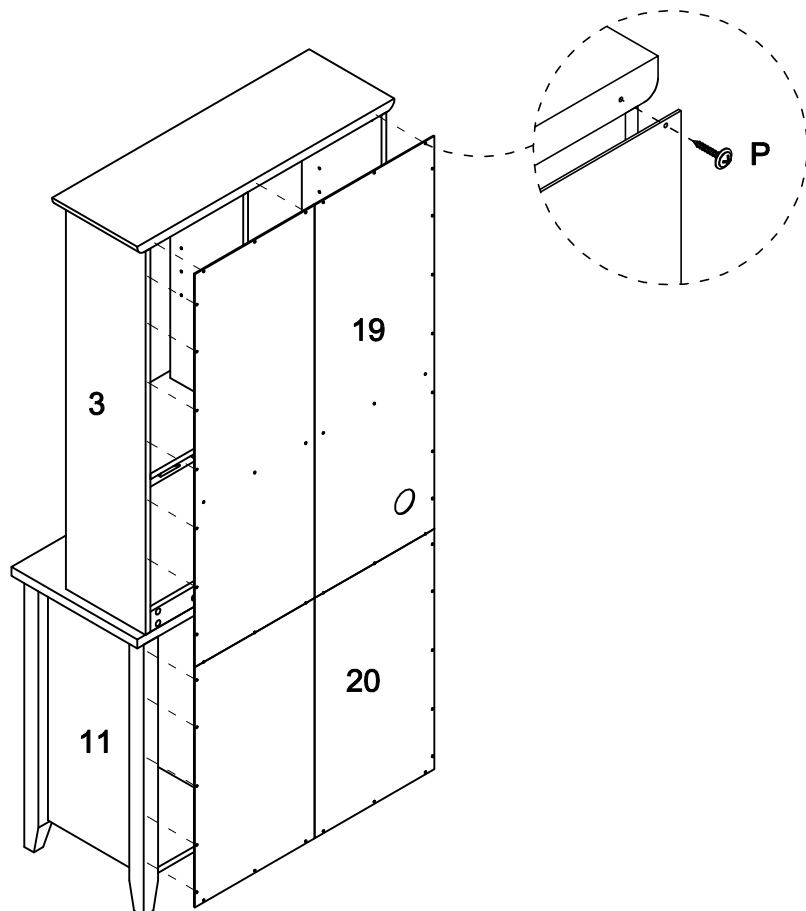
## Step 12



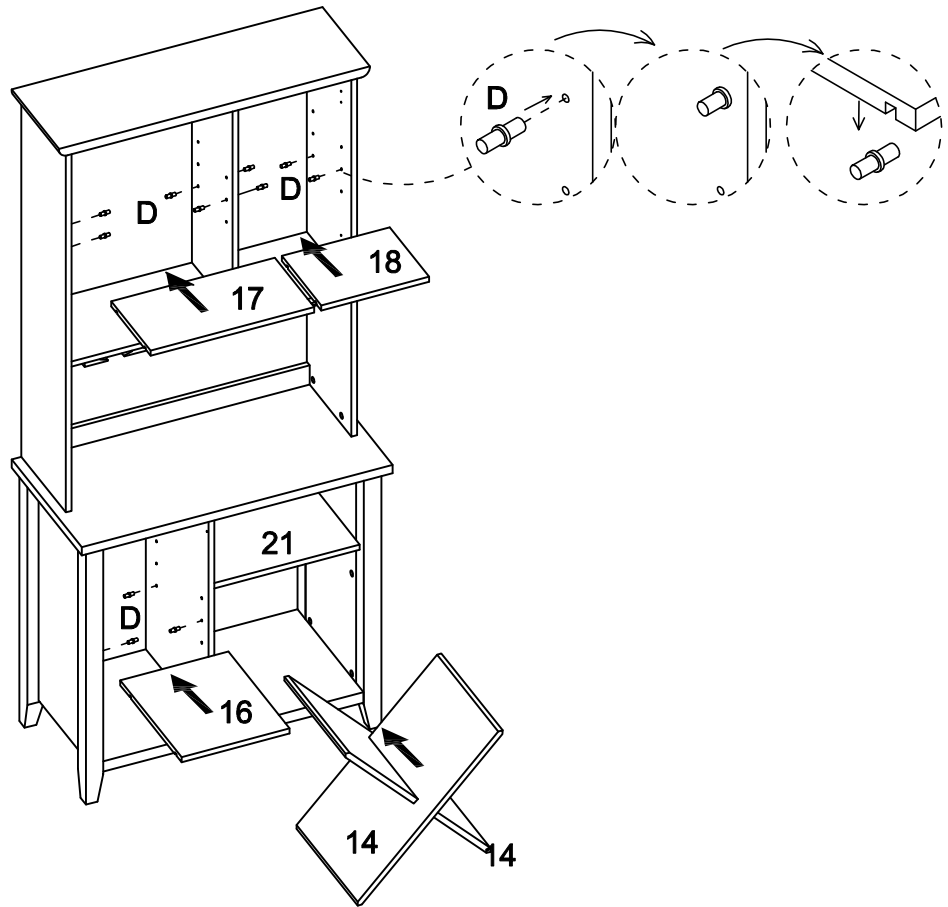
### Step 13



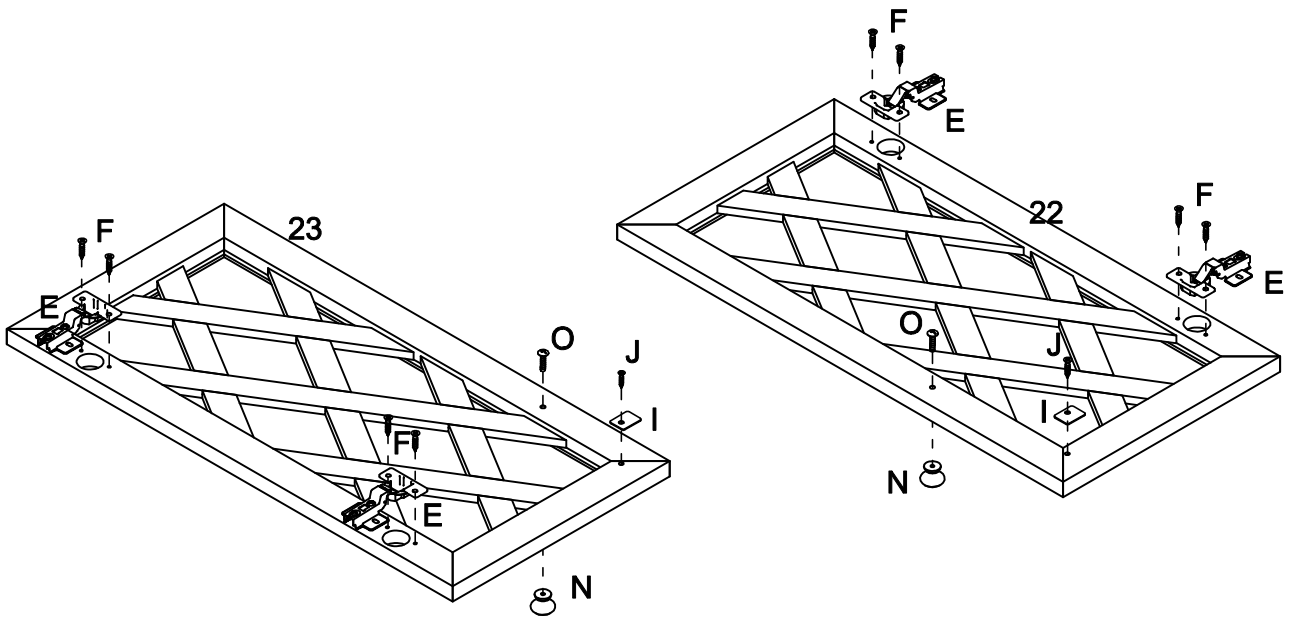
### Step 14



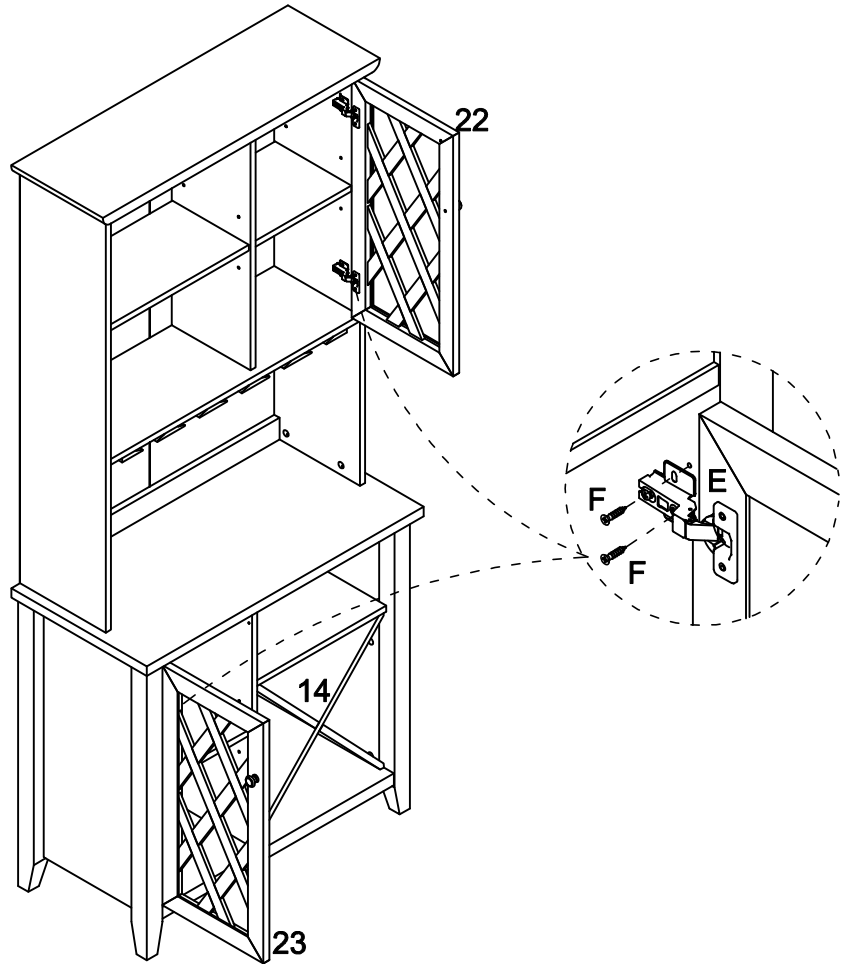
## Step 15



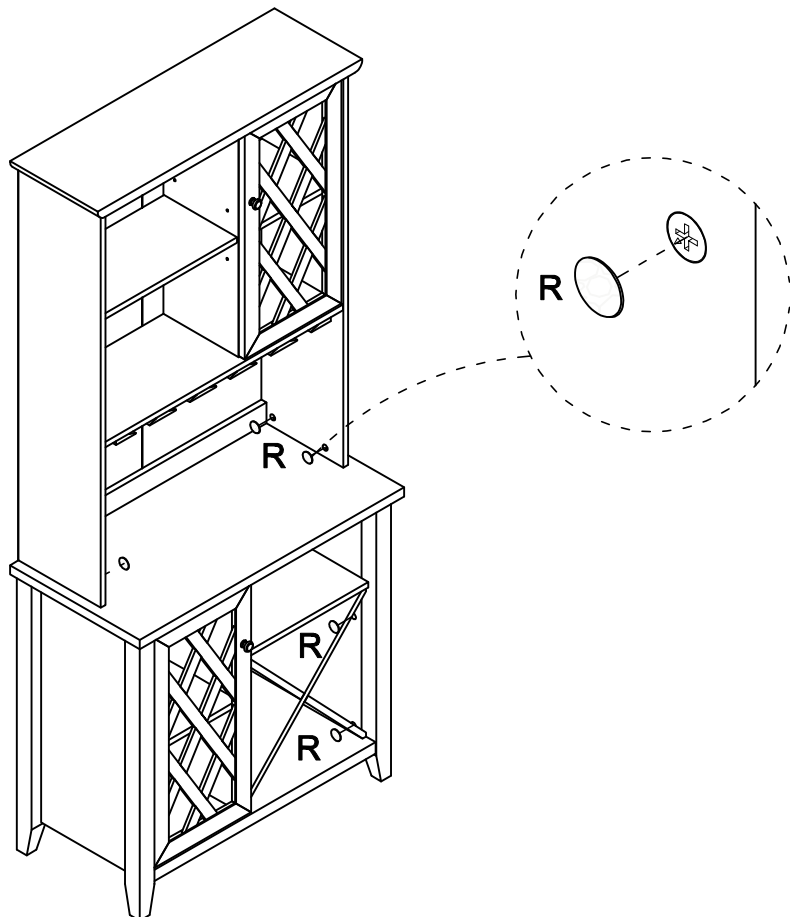
## Step 16



### Step 17



### Step 18



Step 19

