

# INSTALLATION GUIDE

## WARNINGS AND CAUTIONS

Released Date:2025-08

### READ AND SAVE THESE INSTRUCTIONS

Please read and understand this entire manual before attempting to assemble, install or operate the product.

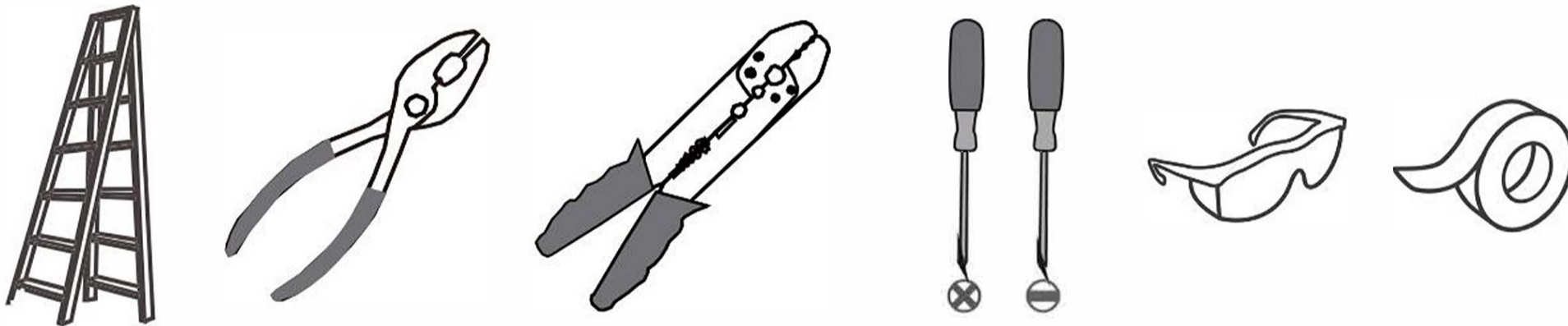
#### WARNING

- RISK OF ELECTRIC SHOCK - Before beginning installation, turn off electricity at the circuit breaker box or the main fuse box.
- RISK OF FIRE - Use bulbs specified by the markings and/or labels on the fixture.

#### CAUTION

- For your safety, read instructions completely before beginning installation.
- If in doubt about electrical installation, consult a licensed electrician.
- Turn off electricity to fixture before replacing the bulb(s).

#### TOOLS REQUIRED

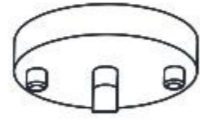


#### CARE AND MAINTENANCE

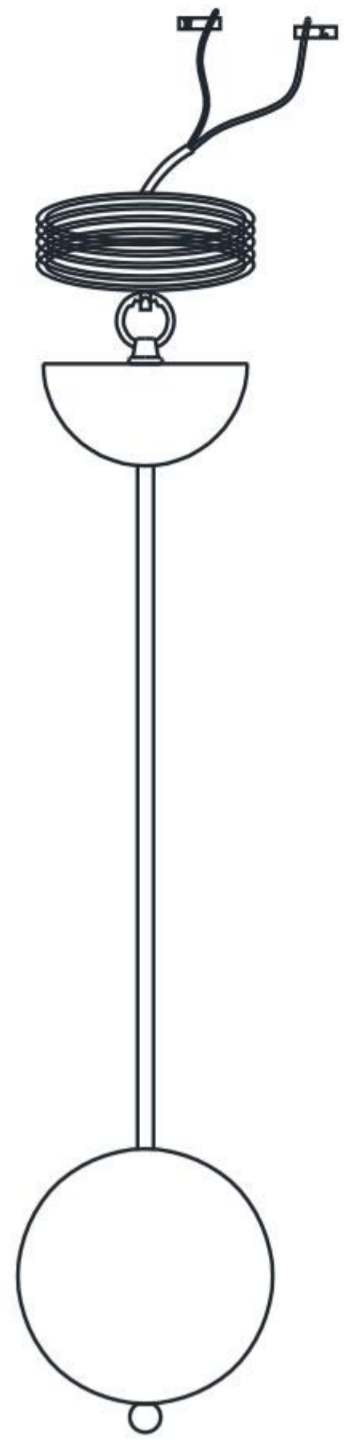
- Wipe clean using soft, dry cloth or static duster. Always avoid using harsh chemicals and abrasives to clean fixture as they may damage the finish.

# PACKAGE CONTENTS

**A** Ceiling Canopy  
x 1



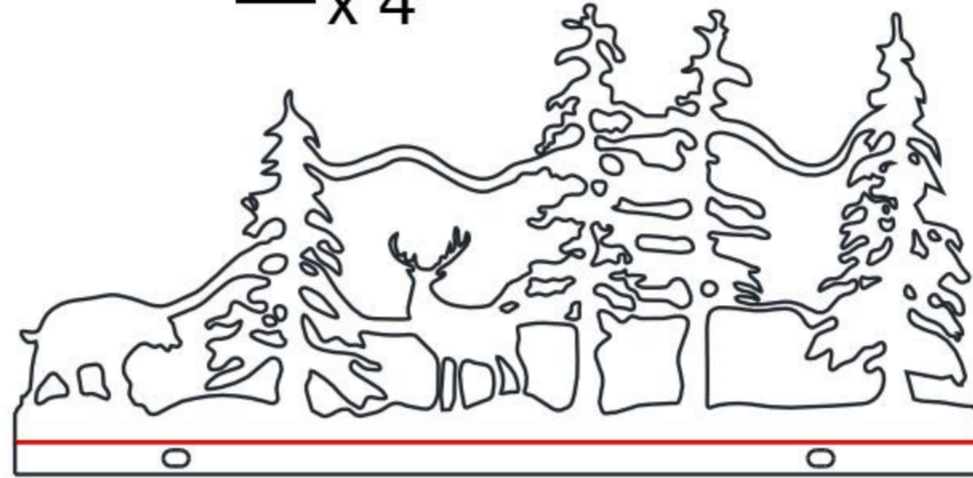
**C** Suspension assembly  
x 1



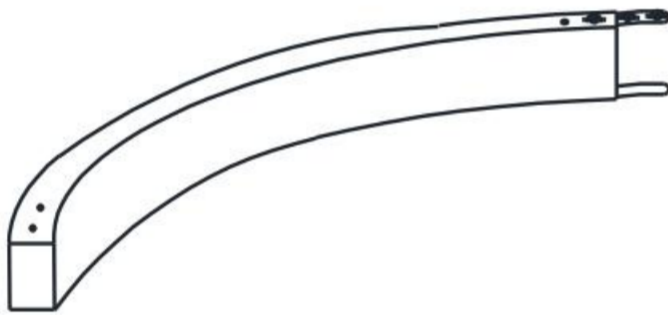
**B** Socket Rod  
x 8



**D** Forest Deer Iron Panel  
x 4



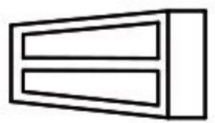
**E** Fixture Body Frame  
x 4



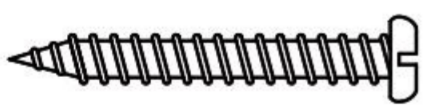
**F** Hanging Chain  
x 1



# PACKAGE CONTENTS (PARTS BAG 1)



**AA** Wire Connector  
x 4



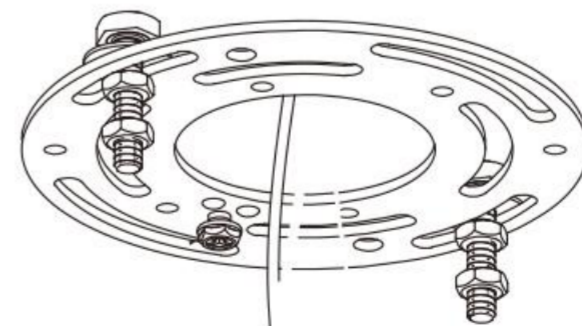
**BB** Screw  
x 4



**CC** Wall Anchor  
x 4



**DD** Mechanical Screw  
x 2

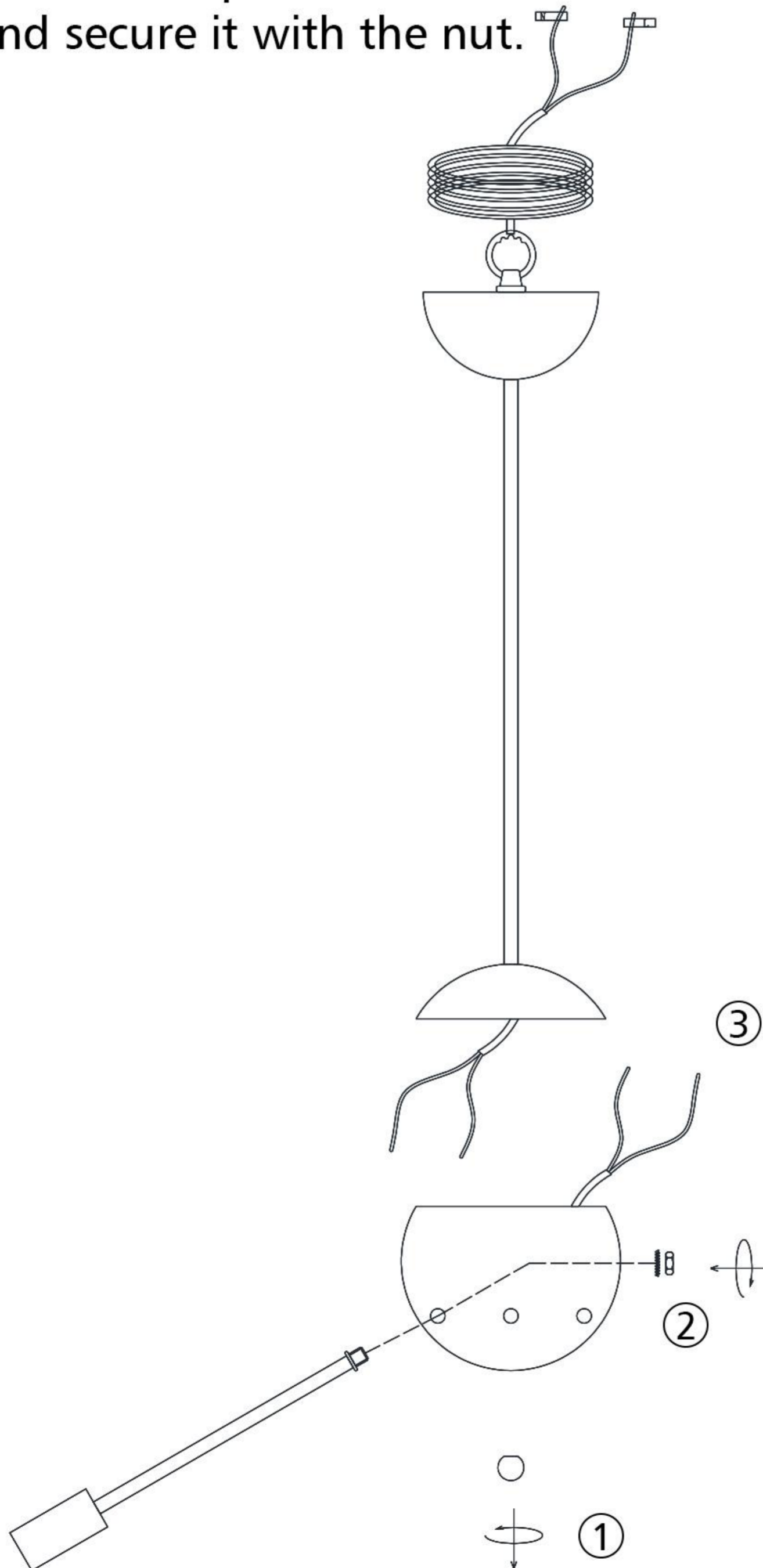


**EE** Mounting Bracket  
x 1

## INSTALLATION

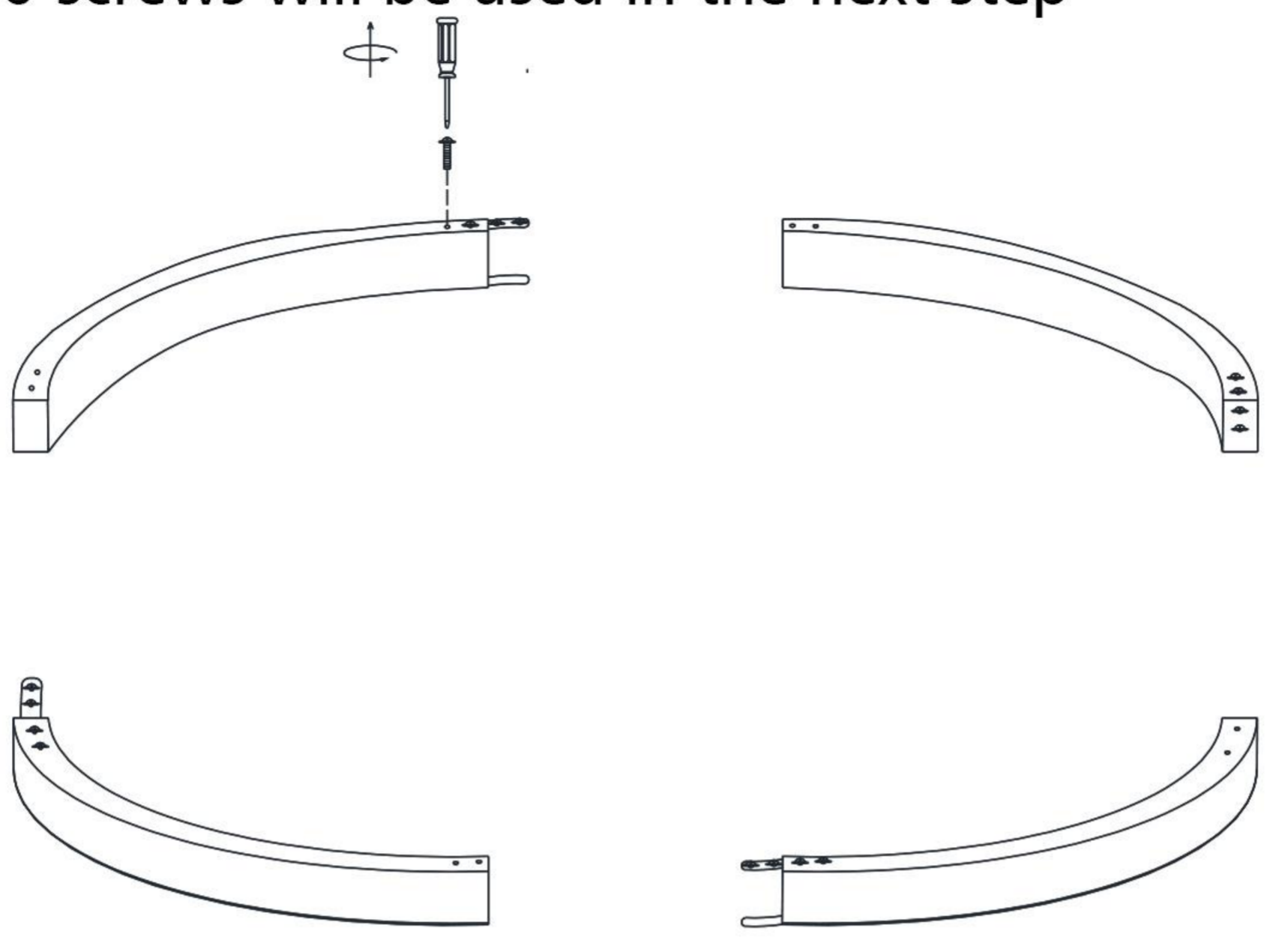
1

1. Unscrew the nut shown as No.1, and remove the lower part of the ball connector.
2. Insert the socket rod through the ball connector, place the washer, and tighten the nut. (This needs to be completed for 8 rods in total.)
3. Connect the 8 white wires from the socket rods to the white power supply wire, and connect the 8 black wires to the black power supply wire.
4. Reinstall the lower part of the ball connector into the suspension assembly and secure it with the nut.

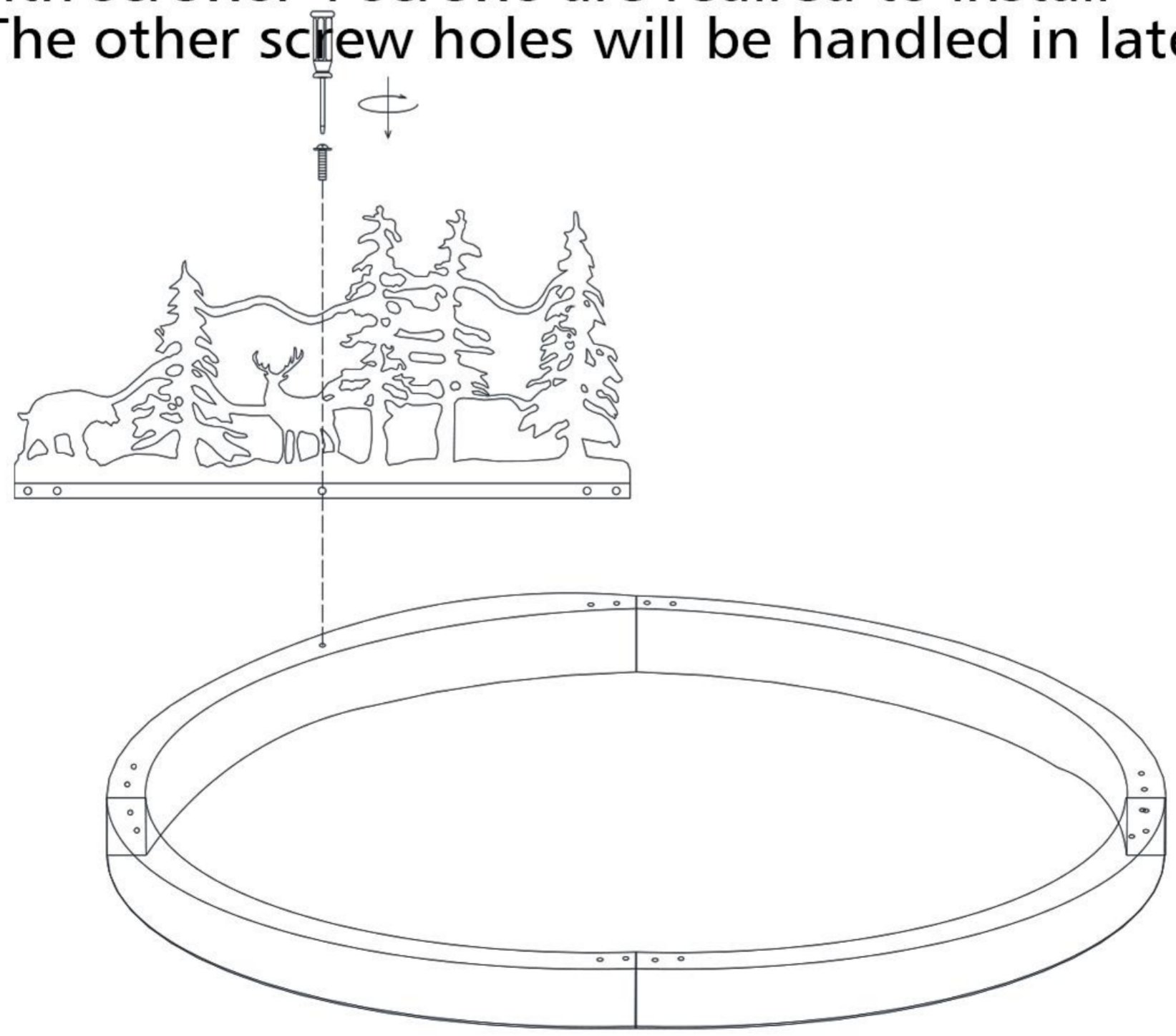


**INSTALLATION**

**2** Unscrew the screws from the fixture body frame  
A total of 20 screws need to be removed  
These 20 screws will be used in the next step



**3** 1. Assemble the 4 fixture body frames together  
2. Align the center screw holes of the forest deer iron panel with the center screw holes of the fixture body frame, and fasten them with screws. 4 screws are required to install  
(Note: The other screw holes will be handled in later steps.)

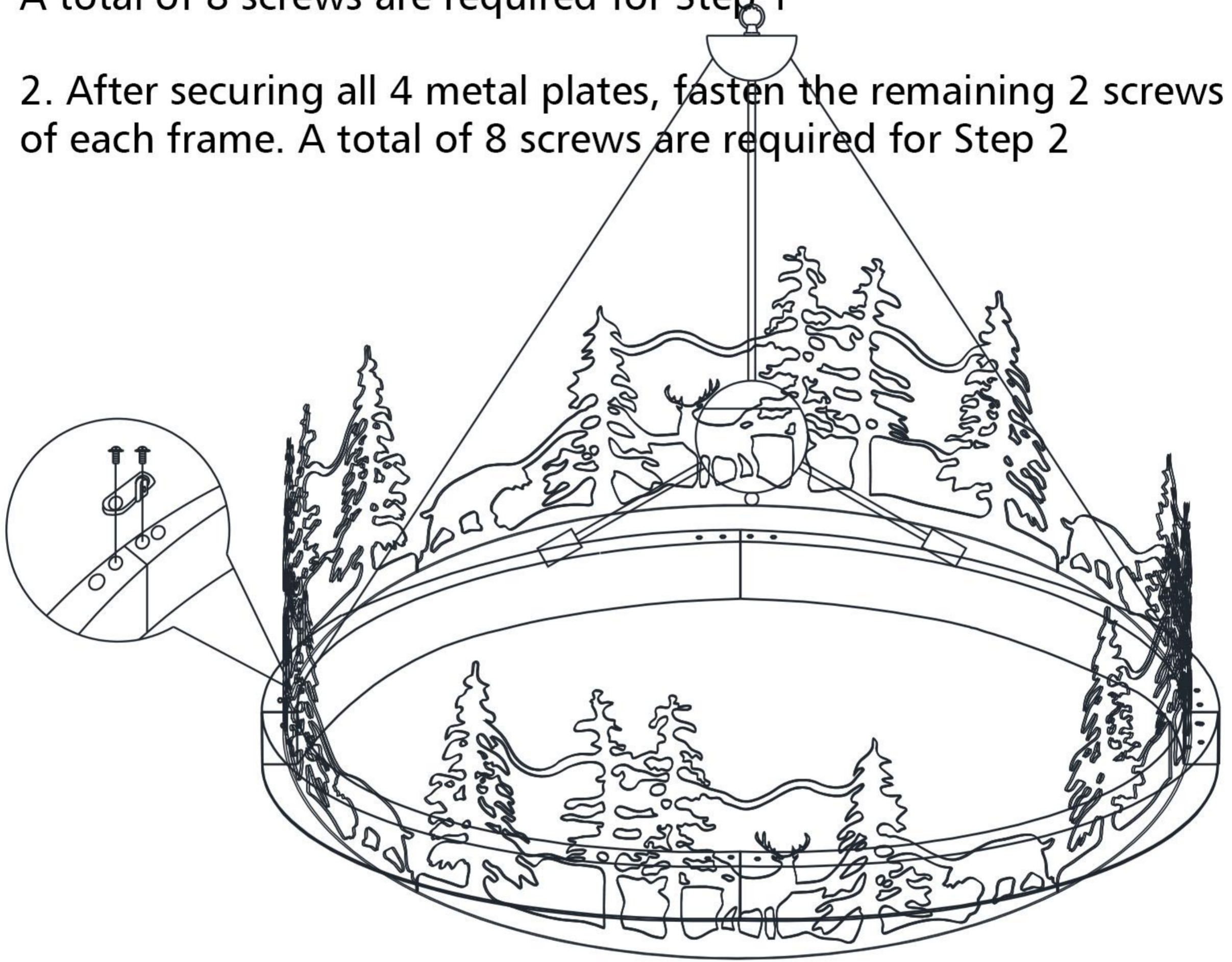


# INSTALLATION

**4**

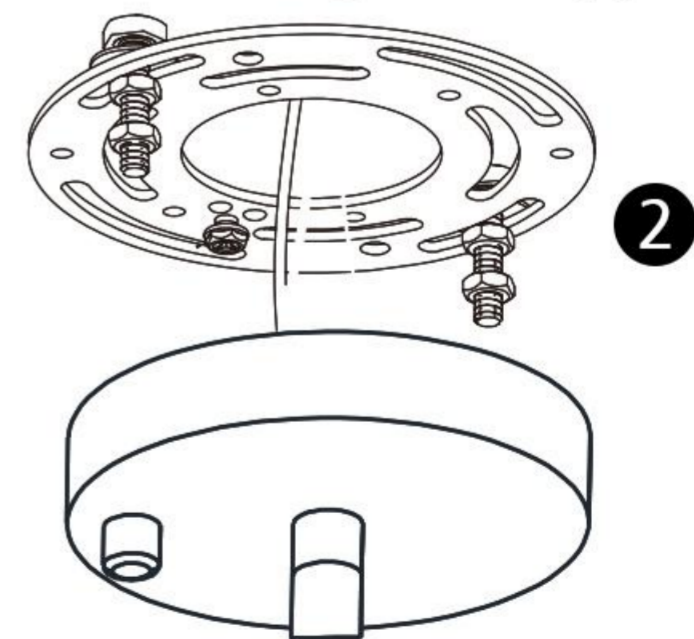
1. Attach the metal plates on the steel cables of the suspension assembly to the fixture body frame (as shown in the diagram, secure the plates at the joints of two frames with 2 screws)  
Note: the forest deer iron panel is located beneath the metal plate.  
A total of 8 screws are required for Step 1

2. After securing all 4 metal plates, fasten the remaining 2 screws of each frame. A total of 8 screws are required for Step 2



**5**

1. Unscrew the nuts **1** on both sides of the ceiling canopy.
2. Take out the hanging bracket **2**.



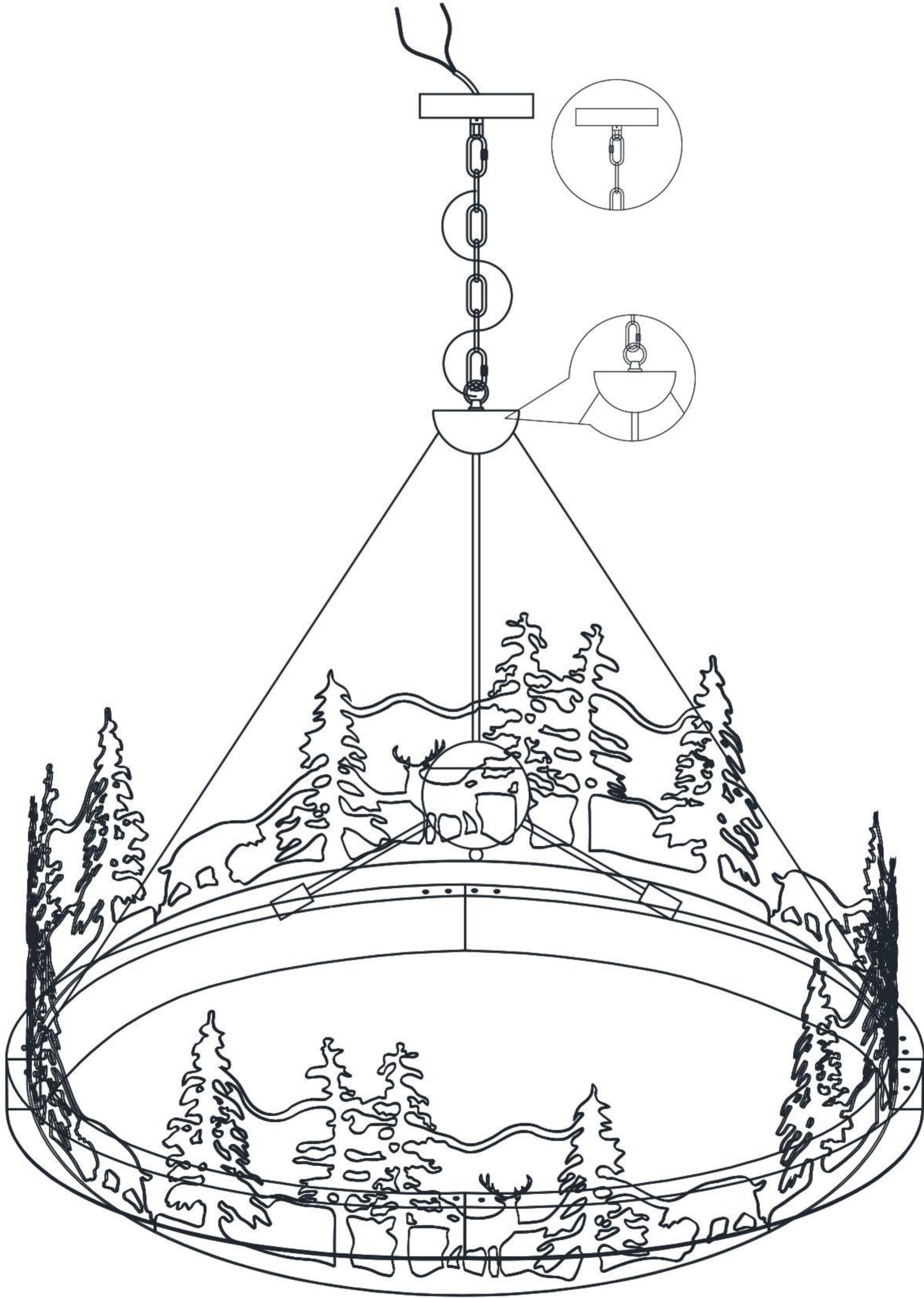
**1**



INSTALLATION

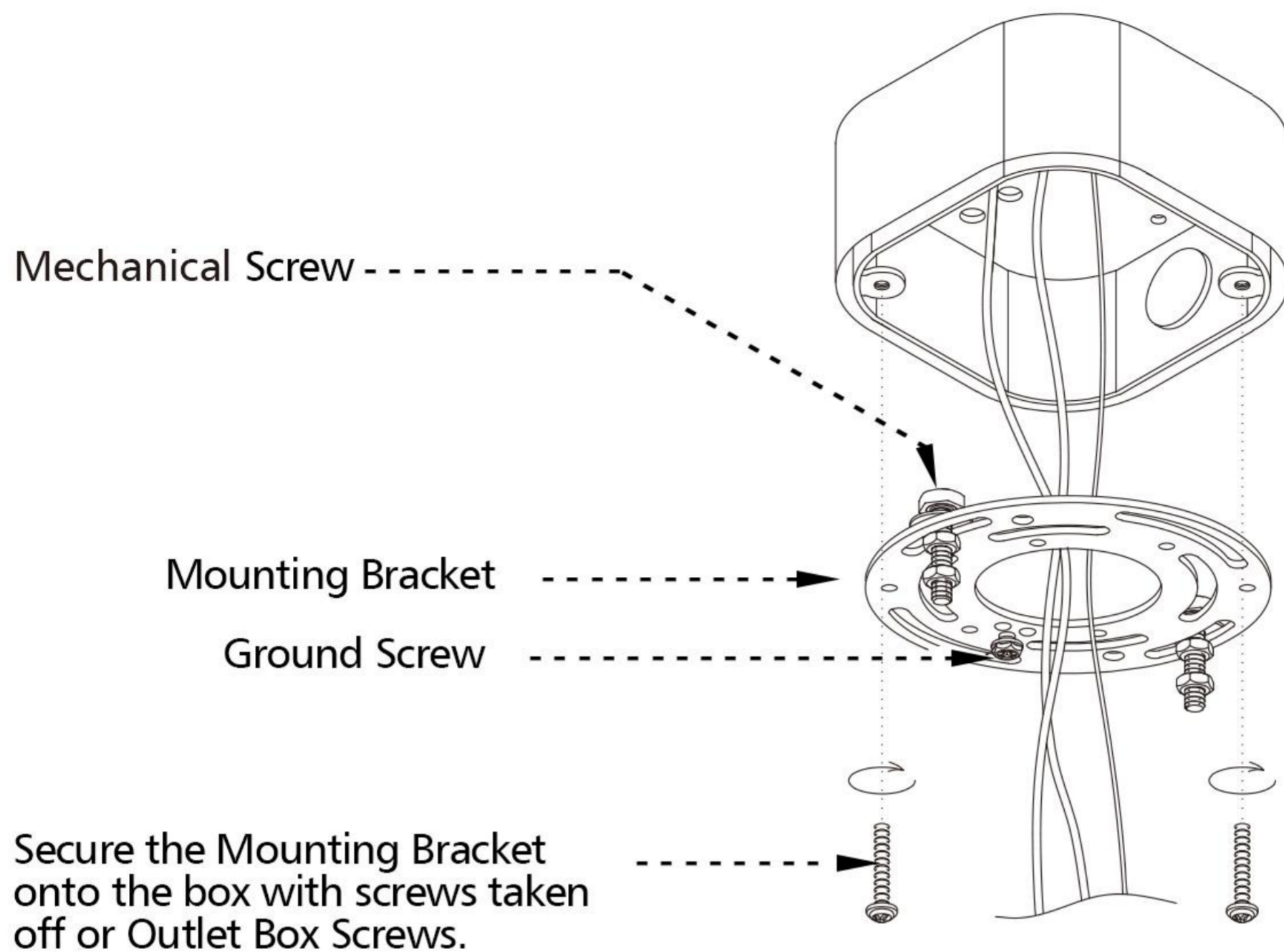
6

- 1. Attach the snap hook of the hanging chain to the semicircle ring at the top of the suspension assembly
- 2. Attach the snap hook at the other end of the hanging chain to the ceiling canopy
- 3. Pass the power wire through the hanging chain and the ceiling canopy

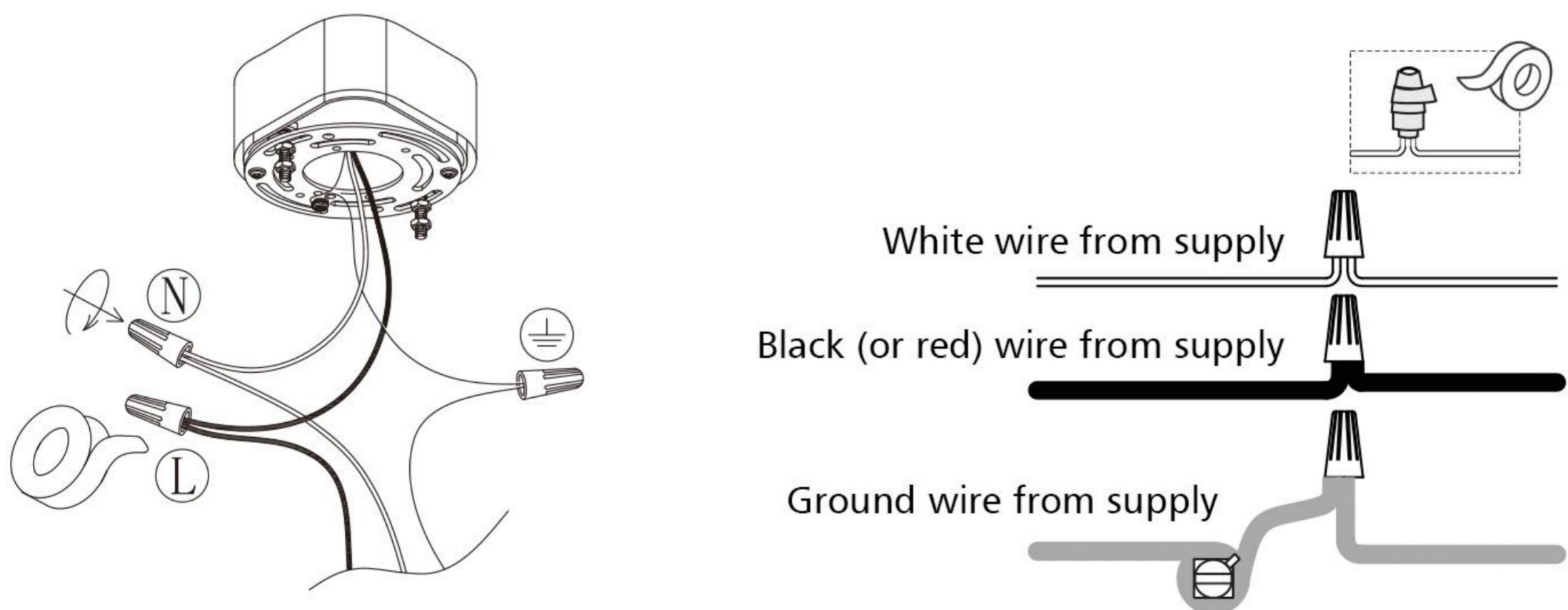


# INSTALLATION

## 7 Install the Mounting Bracket



## 8 Wiring

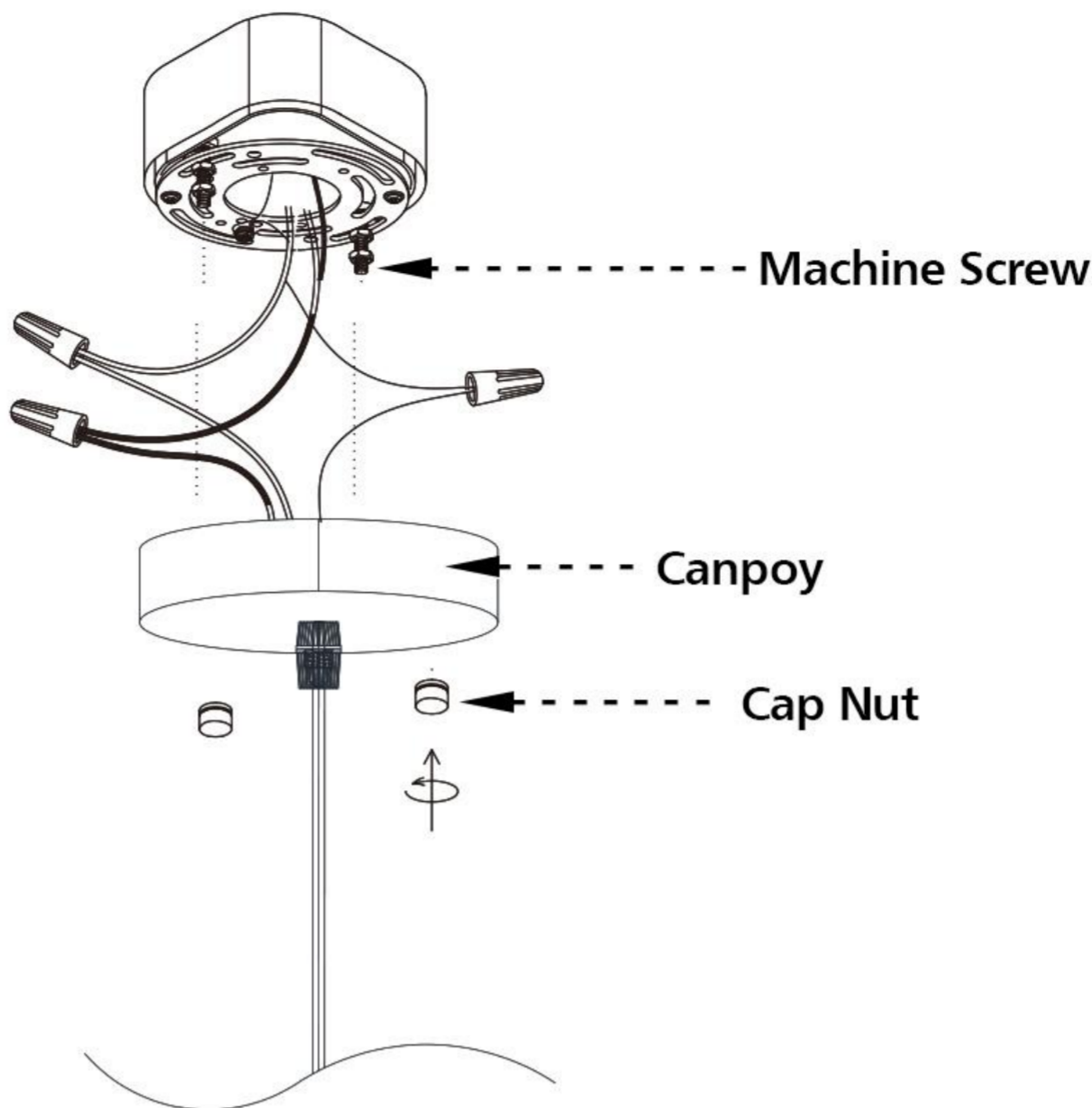


**Step 1:** Connect the wires from the fixture to the house supply wires nuts, ground wire (green, green/yellow, or bare) to ground wire, neutral wire(white)to neutral wire, and hot wire (black) to hot wire. Wrap the connection with electrical tape.

**Step 2:** Spread apart the wires so that the hot wires are on one side of the outlet box and the neutral wires are on the other side.

INSTALLATION

**9** Fix the canopy onto the Mounting Bracket with Cap Nut



**10** Install 8\*E12 Light Bulb(Not Included)

