

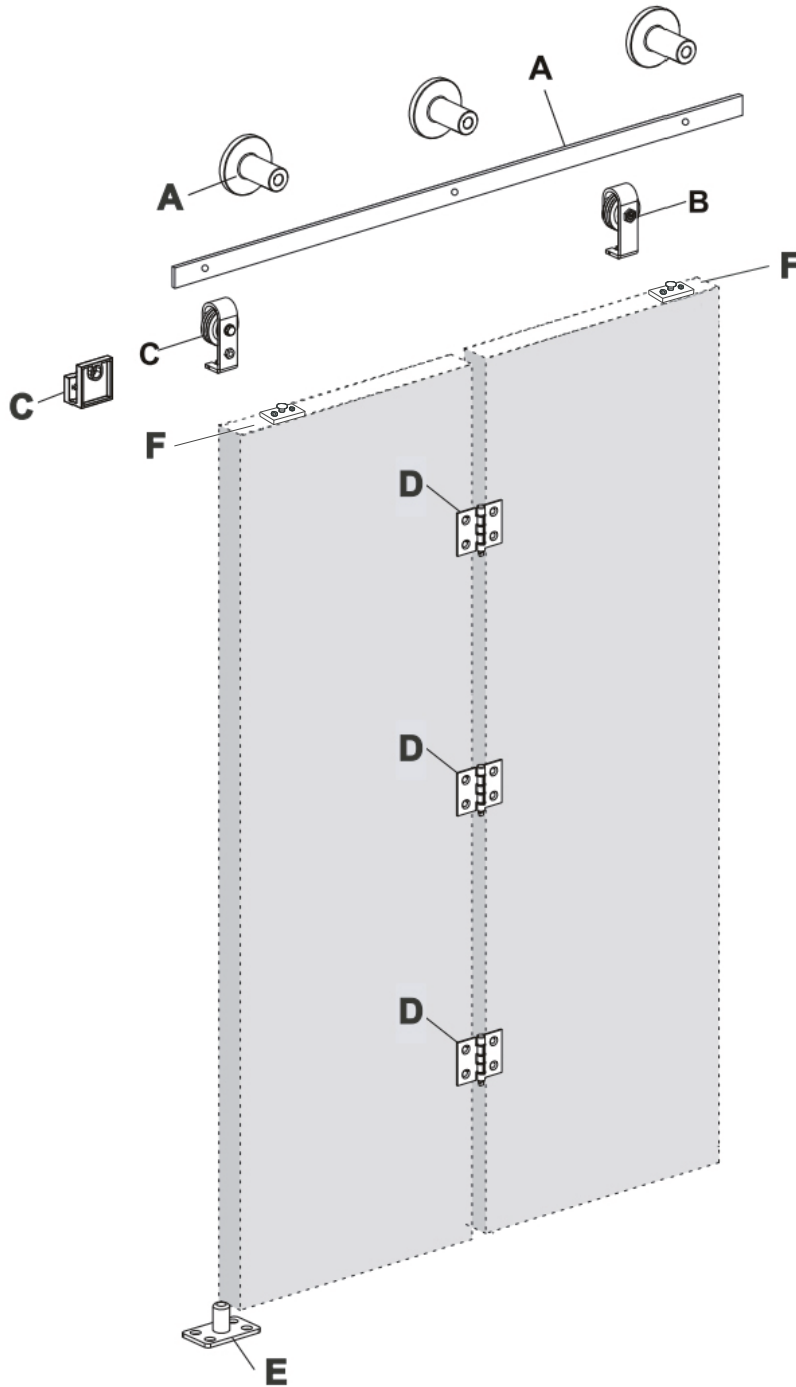
BI-FOLD BARN DOOR

INSTALLATION MANUAL

In case of questions or missing parts, please contact

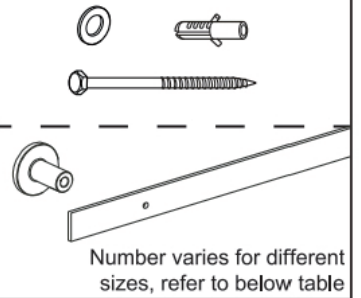
✉ Dooraftersale@gmail.com

Hardware Included

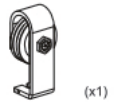


25*84"	1*29"	3	3
36*84"	1*40"	3	3
40*84"	1*44"	3	3

A. Track Set



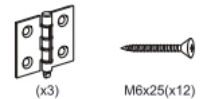
B. Moving Hanger



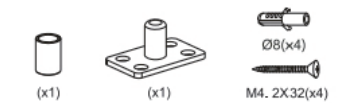
C. Fixed Hanger



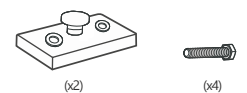
D. Hinges



E. Floor Mount



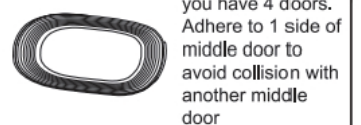
F. Door Top Hangers



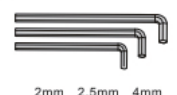
G. Handles



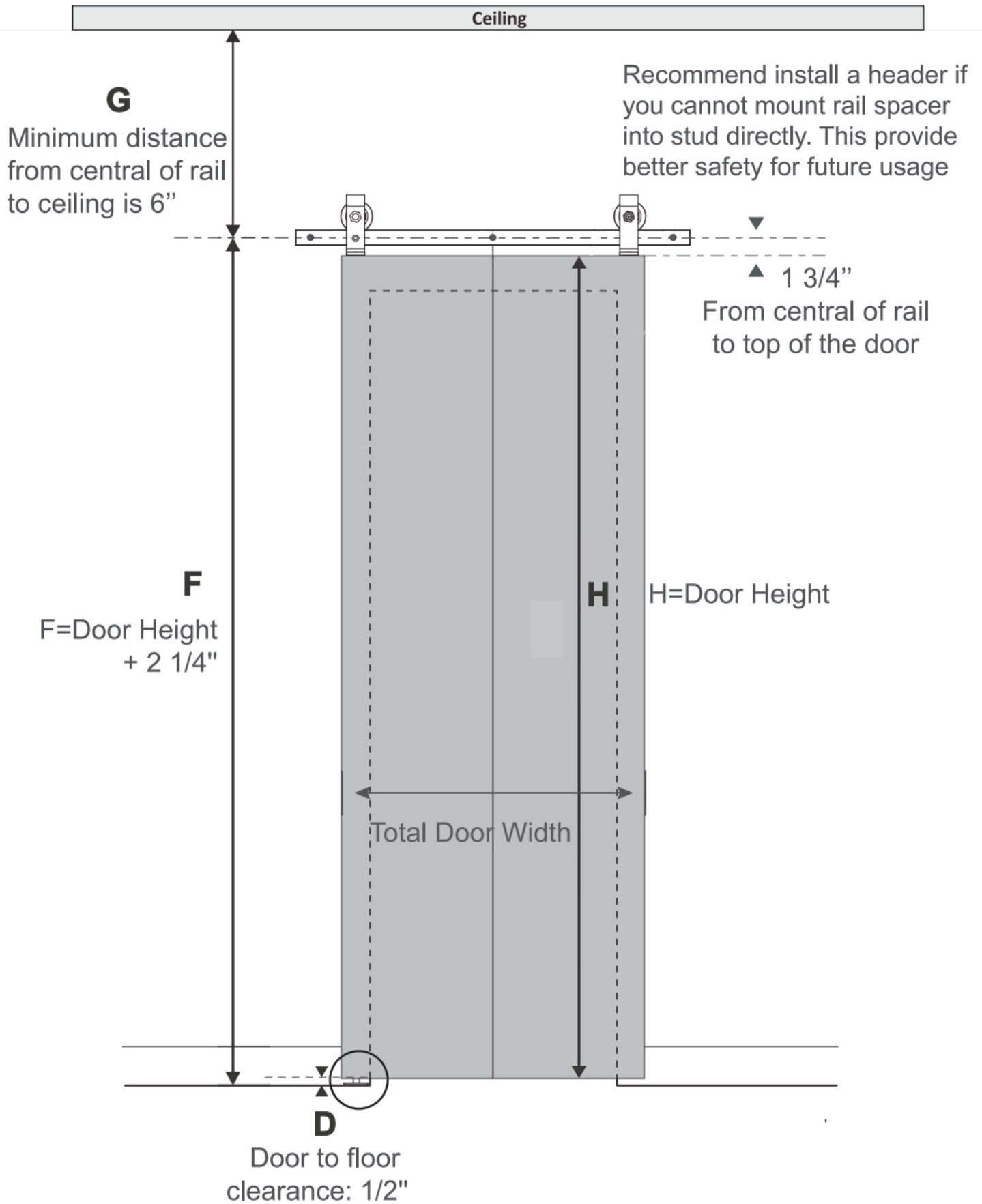
H. Seal Strip



I. Allen Key

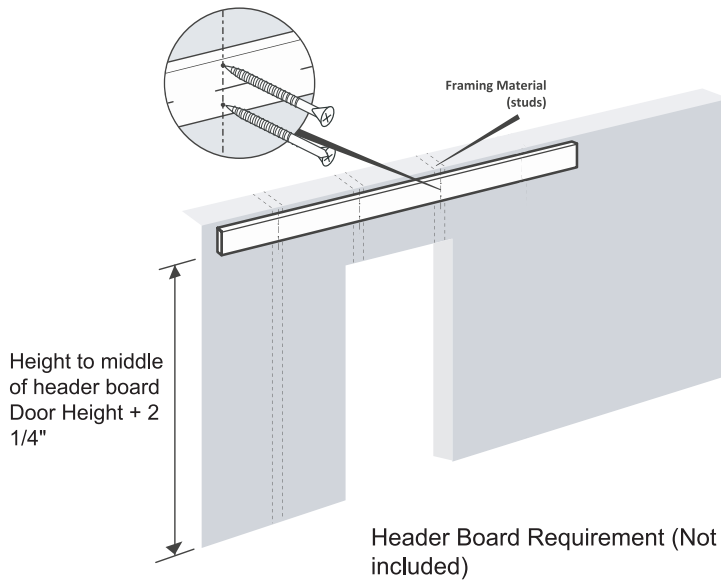


Measure Before You Start



Track Installation

Step 1: Install header board
(optional, if you cannot install rail
spacer directly to the studs)

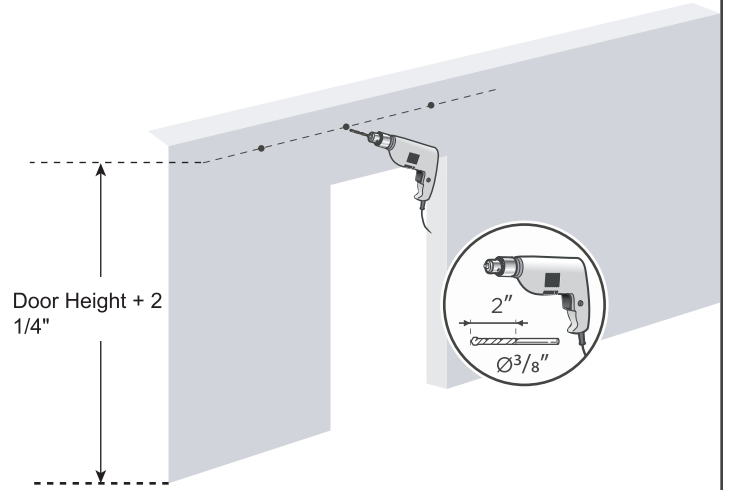


Height to middle
of header board
Door Height + 2
1/4"

Header Board Requirement (Not
included)

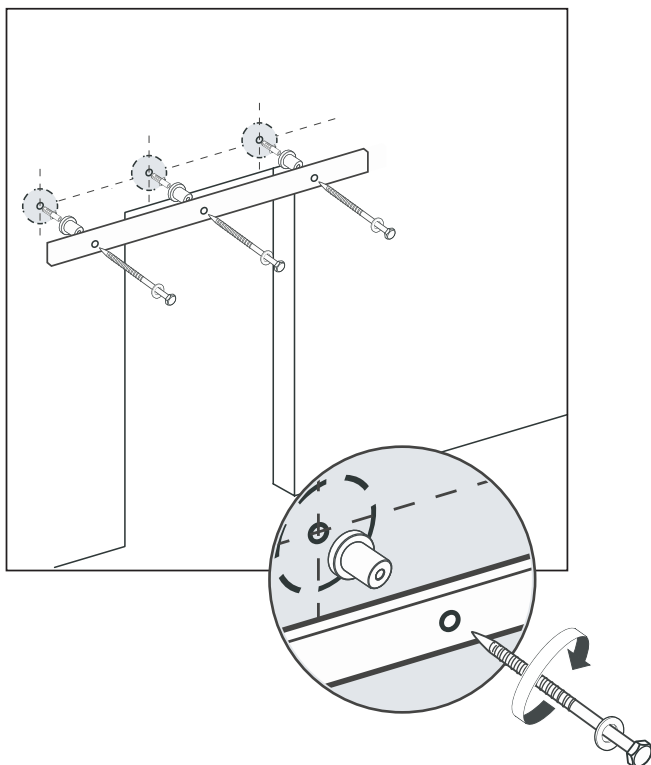
- D: 2/4"-1"
- W: 3.5"-5.5"
- L: ≥ 2 " longer than your track
- Made of solid wood

Step 2: Pre-drill holes

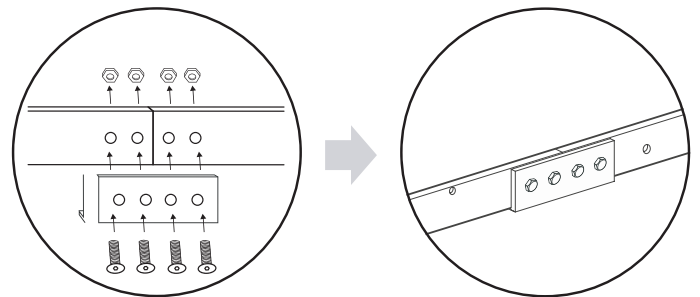


Door Height + 2
1/4"

Step 3: Install the Track

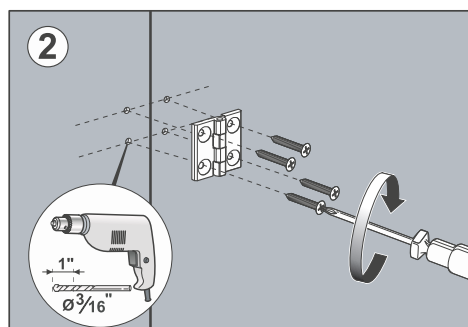
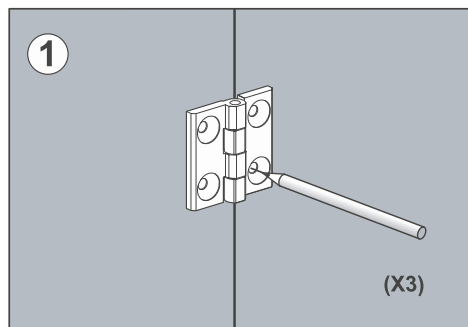
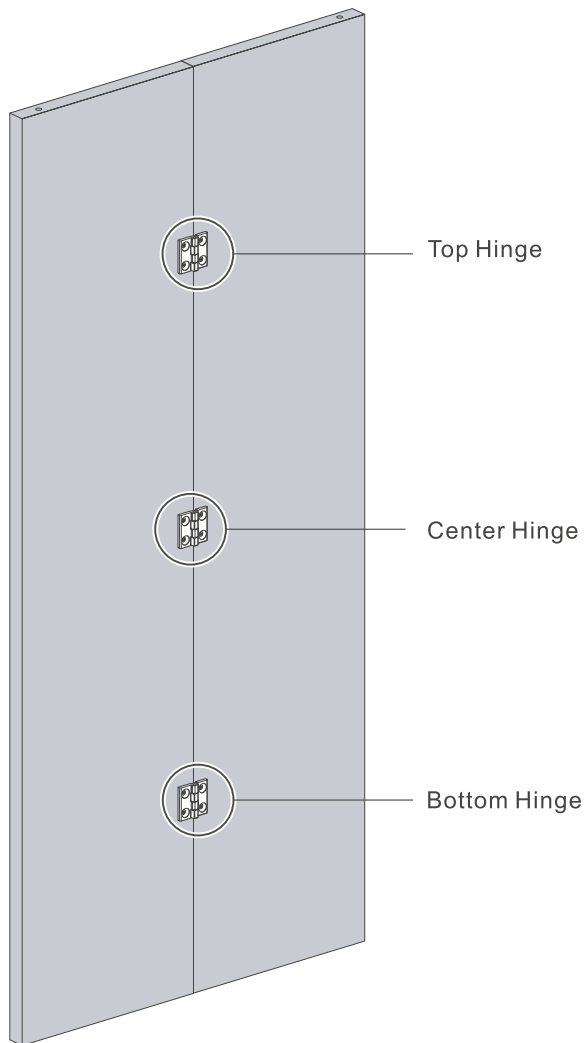


If your track comes in 2pc or more,
install the junction plate to 2 tracks to
form 1 track, and then adopt step 3



Prepare the Door

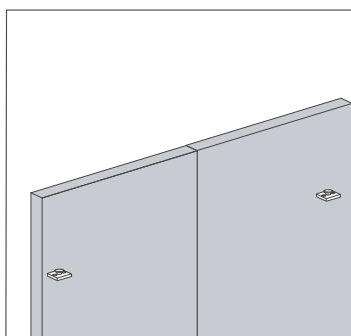
Step 1: Install hinges



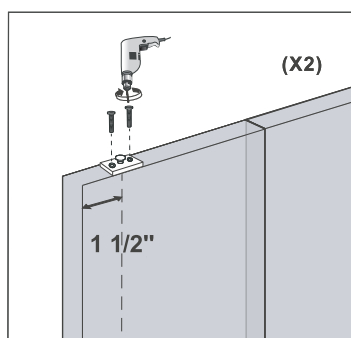
Bit diameter: $3/16$ " (4.8MM)
Borehole depth: 1" (25MM)

Use M6x25 Screws

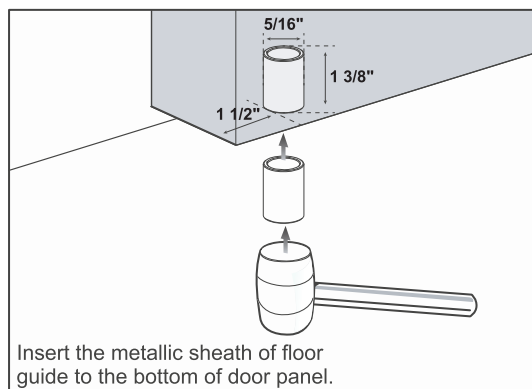
Step 2: Install door hanger



Middle of the Top Door Hanger should be 1 1/2" away from the edge of the door



Step 3: Install sheath to bottom of door

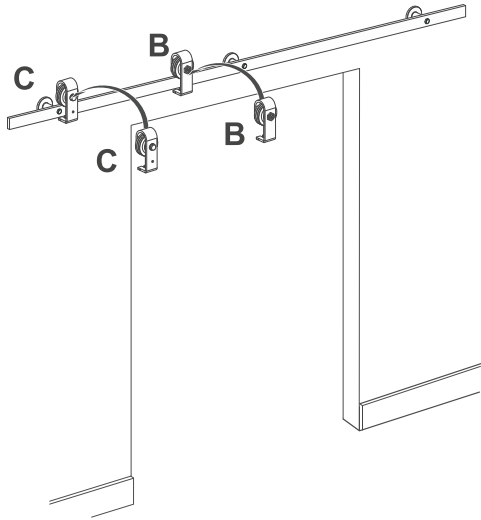


Insert the metallic sheath of floor guide to the bottom of door panel.

- If you want to open the door left swing, install the sheath at bottom left, and vice versa
- Our doors have pre-drilled holes. If you purchase a new door, drill a 5/16" diameter and 1 3/8" depth hole, at the central of door thickness, and 1.5" away from the edge of the door

Hang the Door

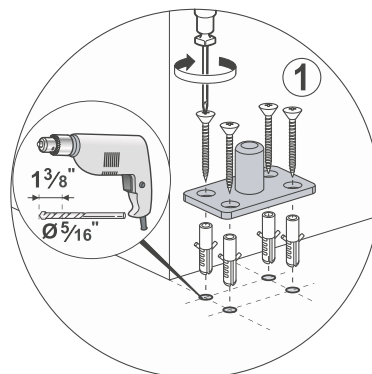
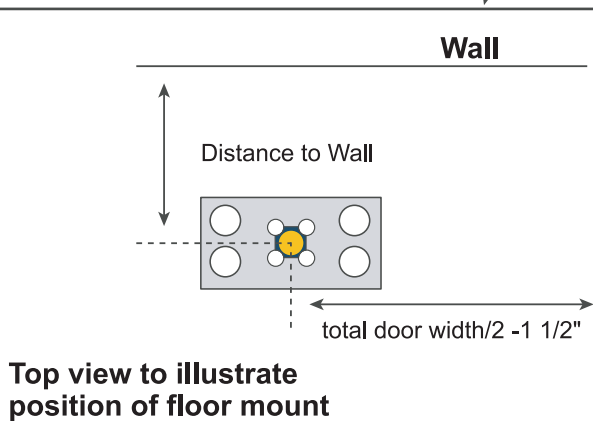
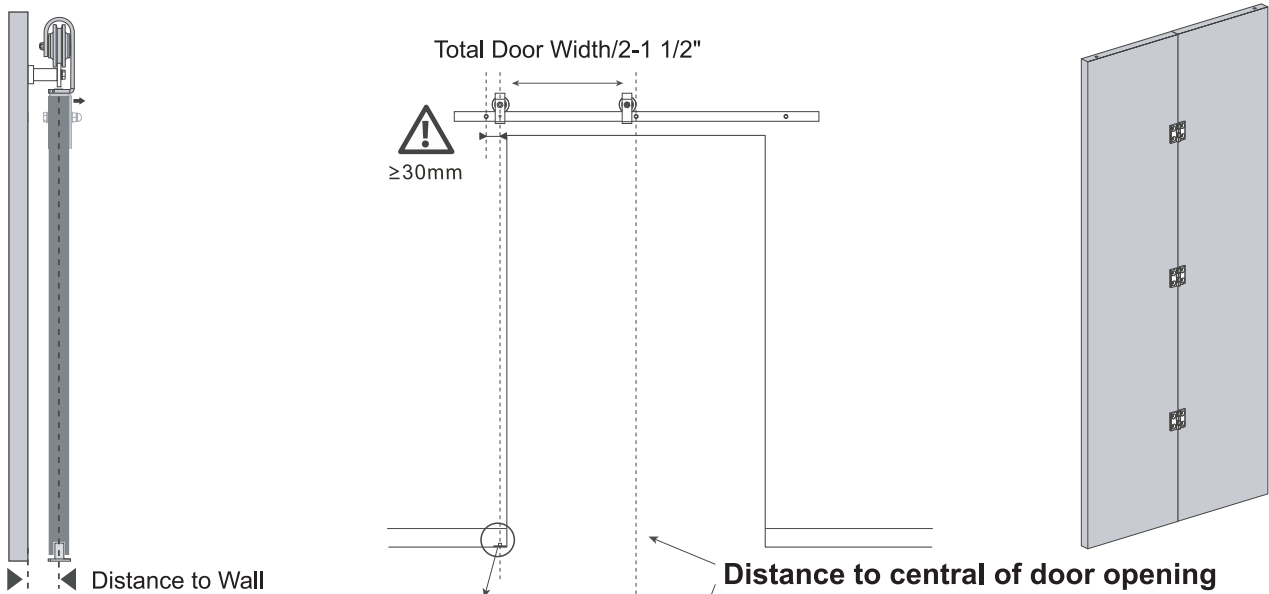
Step 1: Hang up Pulley



- If you want to open the door left swing, put the fixed hanger on the left and moving hanger on the right, and vice versa

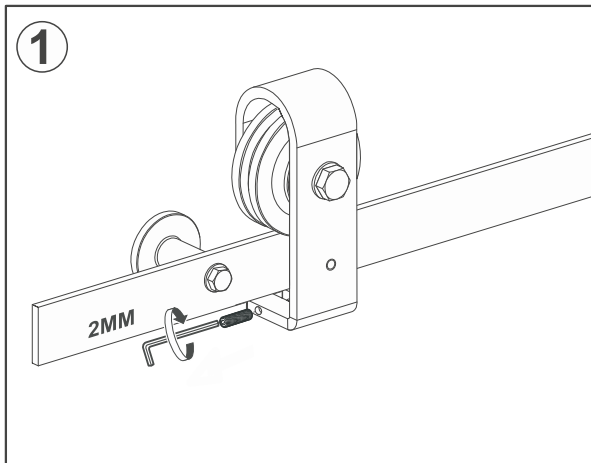
Step 2: Position the fixed hanger and floor mount

- Move the fixed hanger on the track, so that central of fixed hanger is $[\text{total door width}/2 - 1\ 1/2"]$ from the central of door opening. This will make sure central of your door align with central of your opening for aesthetic
 - E.g. your total door width is 30" consist of two 15" panels, then the central of fixed hanger should be $15 - 1\ 1/2 = 13\ 1/2$ " away from the central of door opening
- Position the floor mount. It's crucial the central of floor mount is exactly align with the central of fixed hanger. Please refer to the calculation below. We recommend you use tools like plumb line or laser level
- Fixed the floor mount with screws

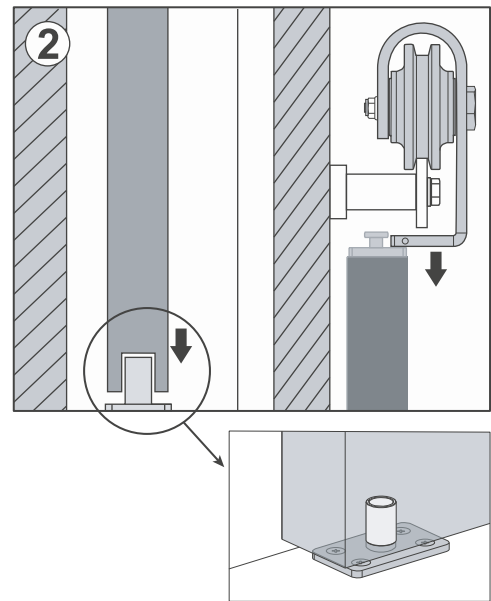


Hang the Door

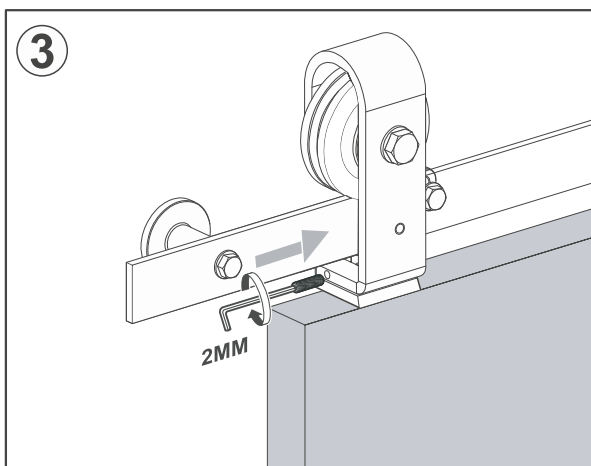
Step 3: Hang the Door



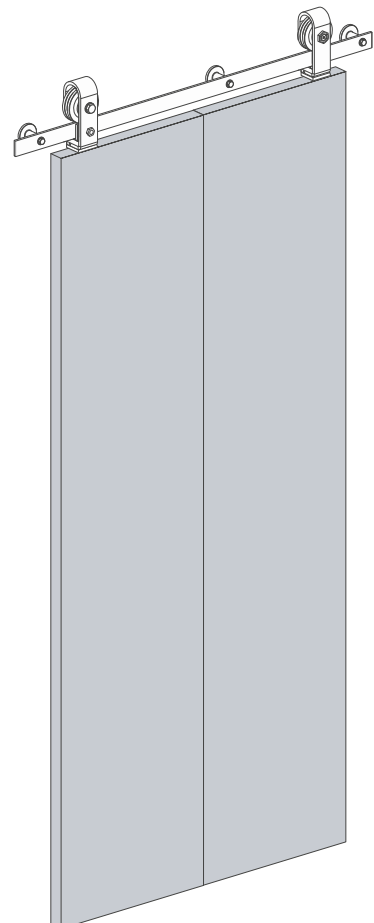
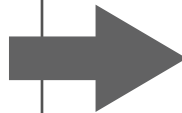
- Unscrew the small screw at bottom of fixed pulley to install door hanger



- Install the door to floor mount first, and insert door hanger at the top to the fixed hanger

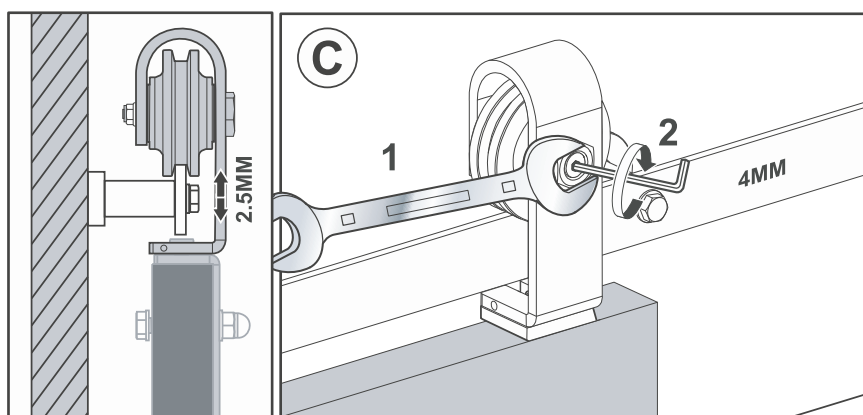
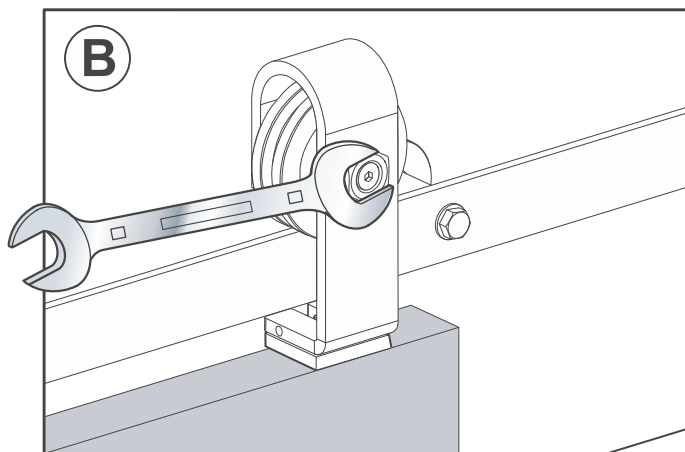
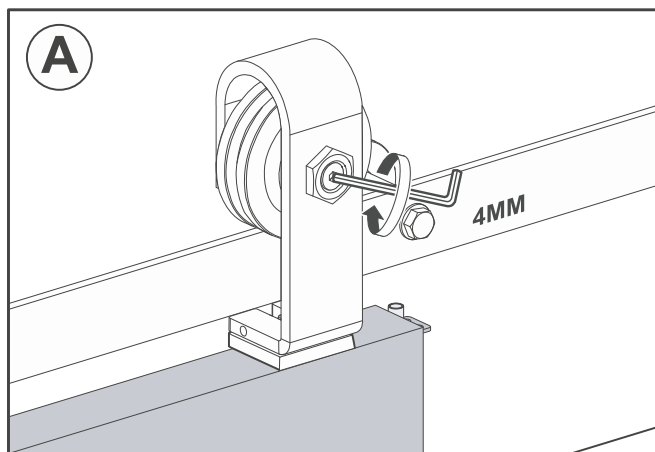


- Screw the small screws back to connect door hanger and fixed hanger
- Replicate the above steps to install moving hanger (except moving hanger side don't need a floor mount)



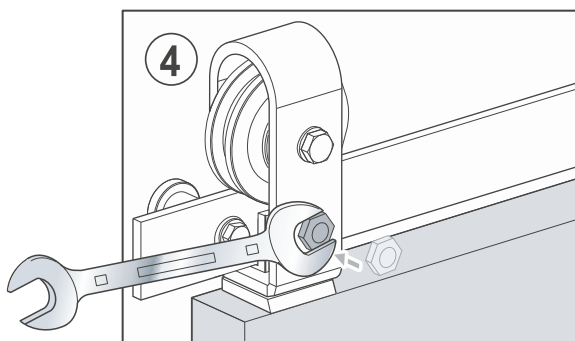
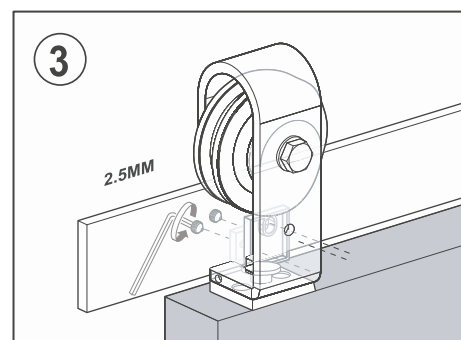
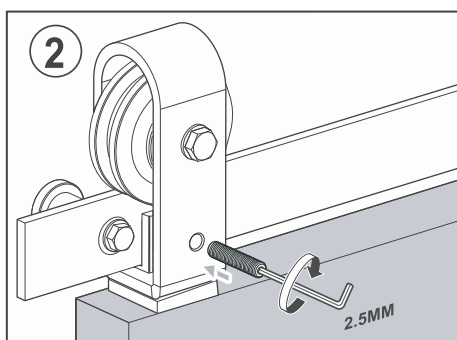
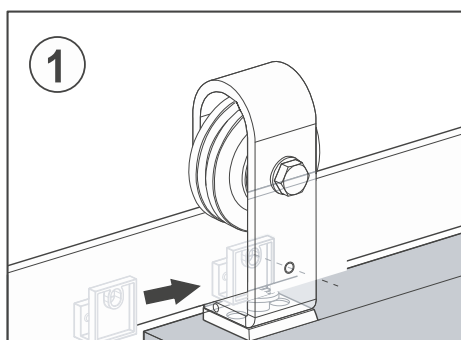
Hang the Door

Step 4: Adjust Moving Hanger



If the height of 2 doors are uneven, align them by adjusting the height of moving hanger as shown above (Adjustment range 1")

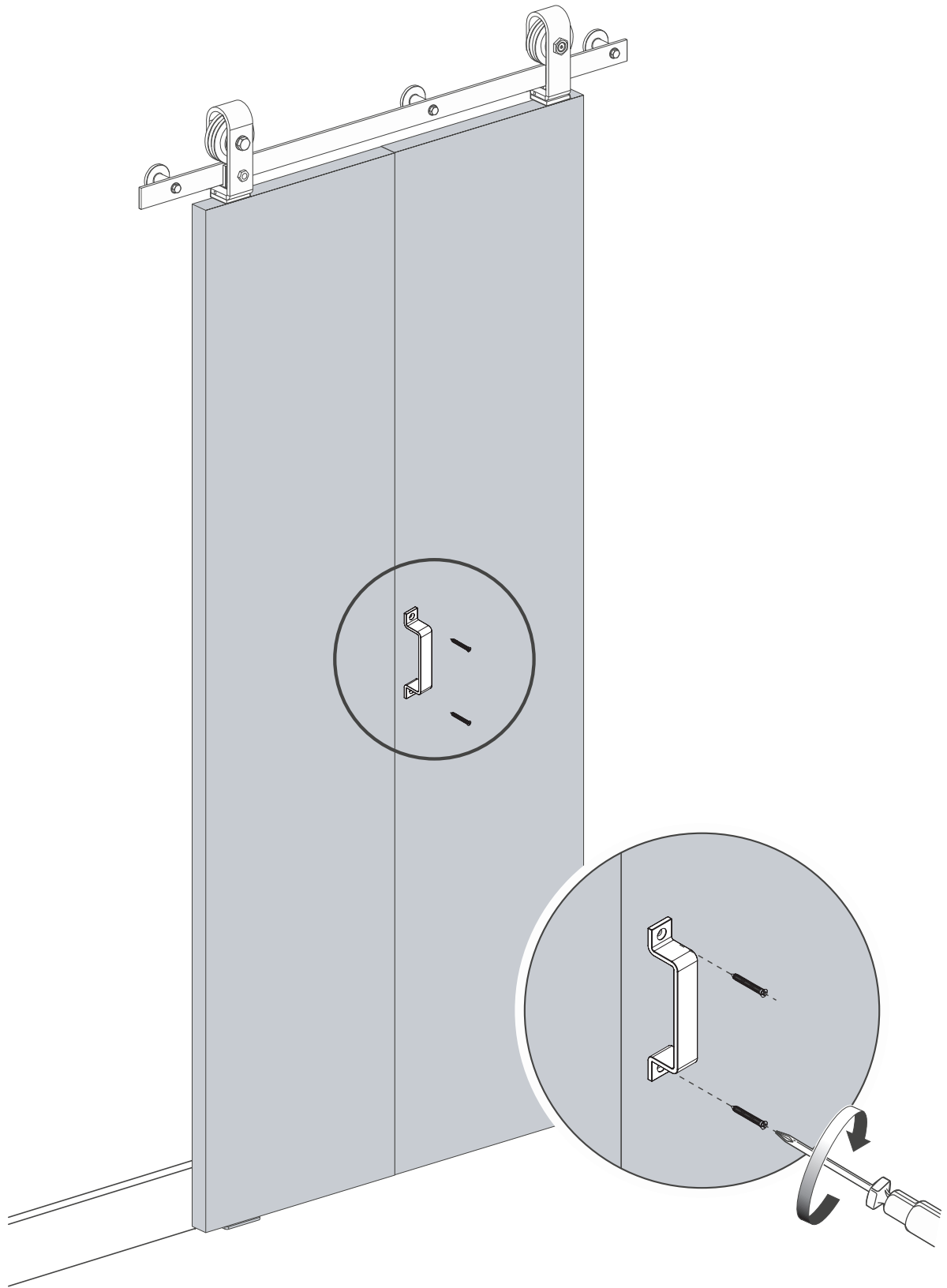
Step 5: Fix the Fixed Hanger



The screw should pass through the hole on hanger, the hole on fixator plate and contact with the track
Tighten 2 screws at the back of fixator with a 2.5mm allen key to fix fixator to the track

Hang the Door

Step 6: Attach the Door Handle



Only use screws to mount the door handle in the pre-drilled pilot hole.