

Preparation before installation:

- A. Check the diagram and parts list to make sure all parts are not missing.
- B. Close the water supply valve, then turn on the old faucet to release the residual water.
- C. Remove the existing faucet then clean the sink and countertop.
- D. Pre-drilling size requirements: 1-3/8"(min)-1-1/2"(max)

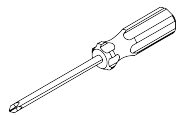
Note:

Maximum Countertop Thickness Without Deck: 1-1/2" (1 hole mount)
 Maximum Countertop Thickness with Deck: 1" (1, 2 or 3 hole mounting)

Tools You May Need:



Adjustable Wrench



Screwdriver



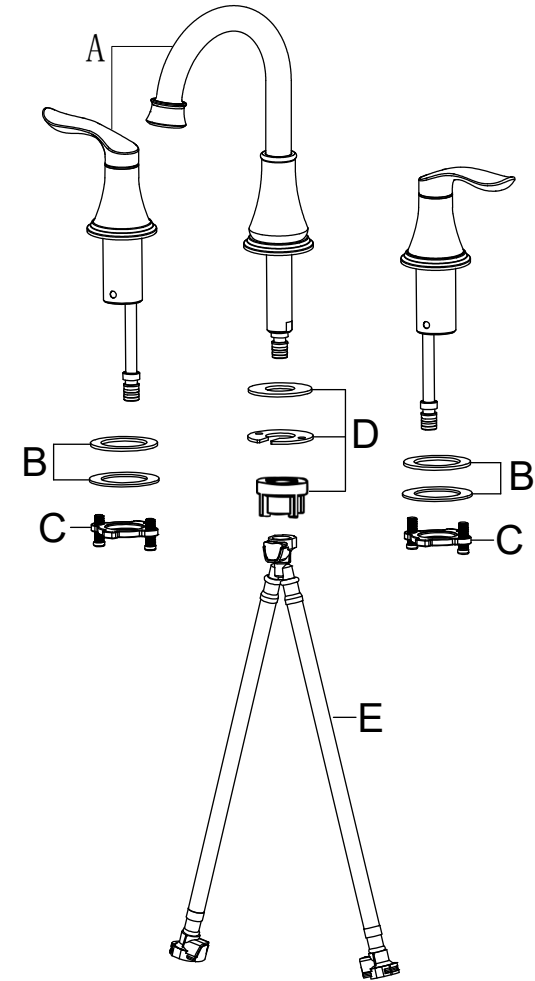
Safety Goggles



Gloves

The installation process of the faucet is simple, but the narrow installation space may cause you to be injured, please pay attention to your safety!

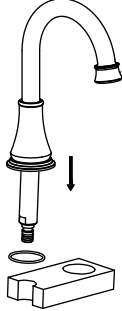
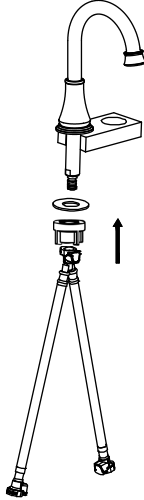
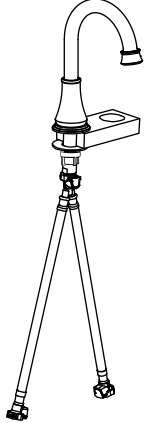
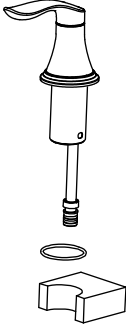
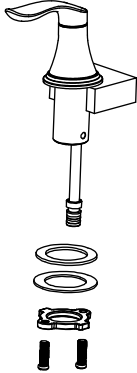
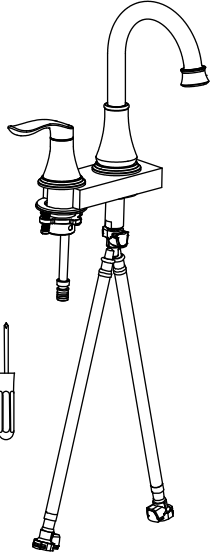
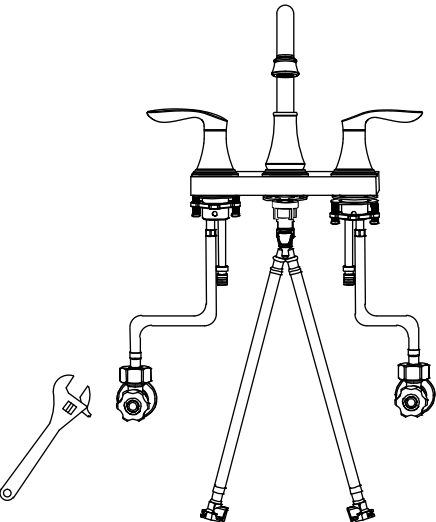
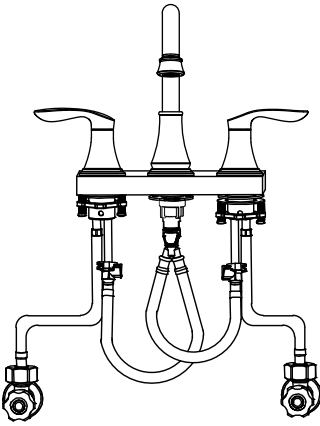
Diagram and Parts List

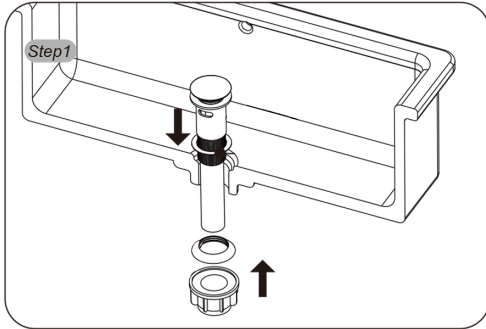


- A: Faucet Body
- B: Rubber Washer&Metal Gasket
- C: Metal Mounts&Screws
- D: Rubber Washer&Metal Gasket&Fixing Nut
- E: Three-way waterline

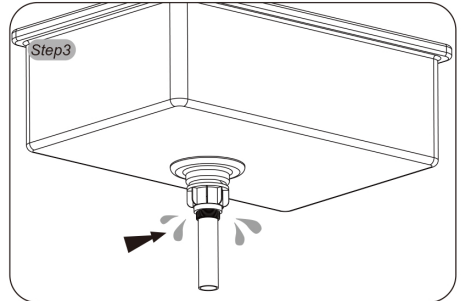
Note: The product model in the manual may be different from the actual, but the installation process is the same.

3 Holes Bathroom Sink Faucet

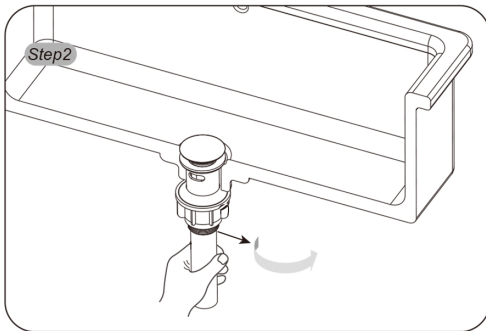
<p>1 Install the faucet and O-ring into the sink as shown.</p> 	<p>2 Install the washer, fixing nut and tee interface.</p> 	<p>3 Align the tee as 'Cold left, Hot right' and tighten the retaining 2 nut with hands.</p> 	<p>4 Insert the handle into holes as 'Hot left, Cold right'.</p> 	<p>5 Install O-rings, washers, mounts and screws as shown.</p> 	<p>6 Tighten the screws with a screwdriver.</p> 
<p>7 Install the hot and cold water hoses and tighten. Tighten the screws with a screwdriver then with a wrench.</p> 	<p>8 Cross-connect the tee port and the water inlet of the two handles.</p> 	<p>9 Check the installation result: 1. Make sure all interfaces are tightened. 2. Open the drainage system and the main Water supply, make sure there are no leaks. Faucet maintenance: If there are stains, please wash with neutral soapy water. Plate the surface, then wipe the surface with a damp towel.</p>			



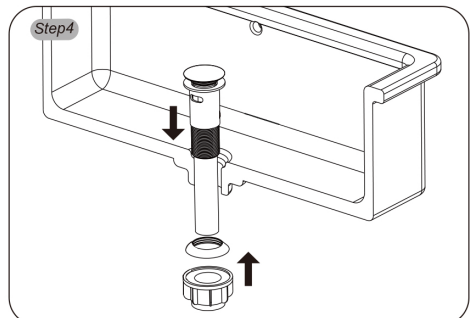
Disassembly part and insert the drain pipe into the hole of the basin sink, please ensure the small gasket is above the basin hole, then put it on the drain pipe;



Check whether leakage happened here under the basin sink; You need to apply some silicone to prevent leakage issues if there is a leak under the basin sink. Follow step 4 to apply the silicone and complete the installation;



Tighten the fastener nut by hand;



At this step, small gasket is not needed, please follow step 2 and step 3 to complete the installation.

THANK YOU

We really value your feedback to make our product even better. If you have any problem or suggestion, please feel free to contact us.

We look forward to serving you again soon!