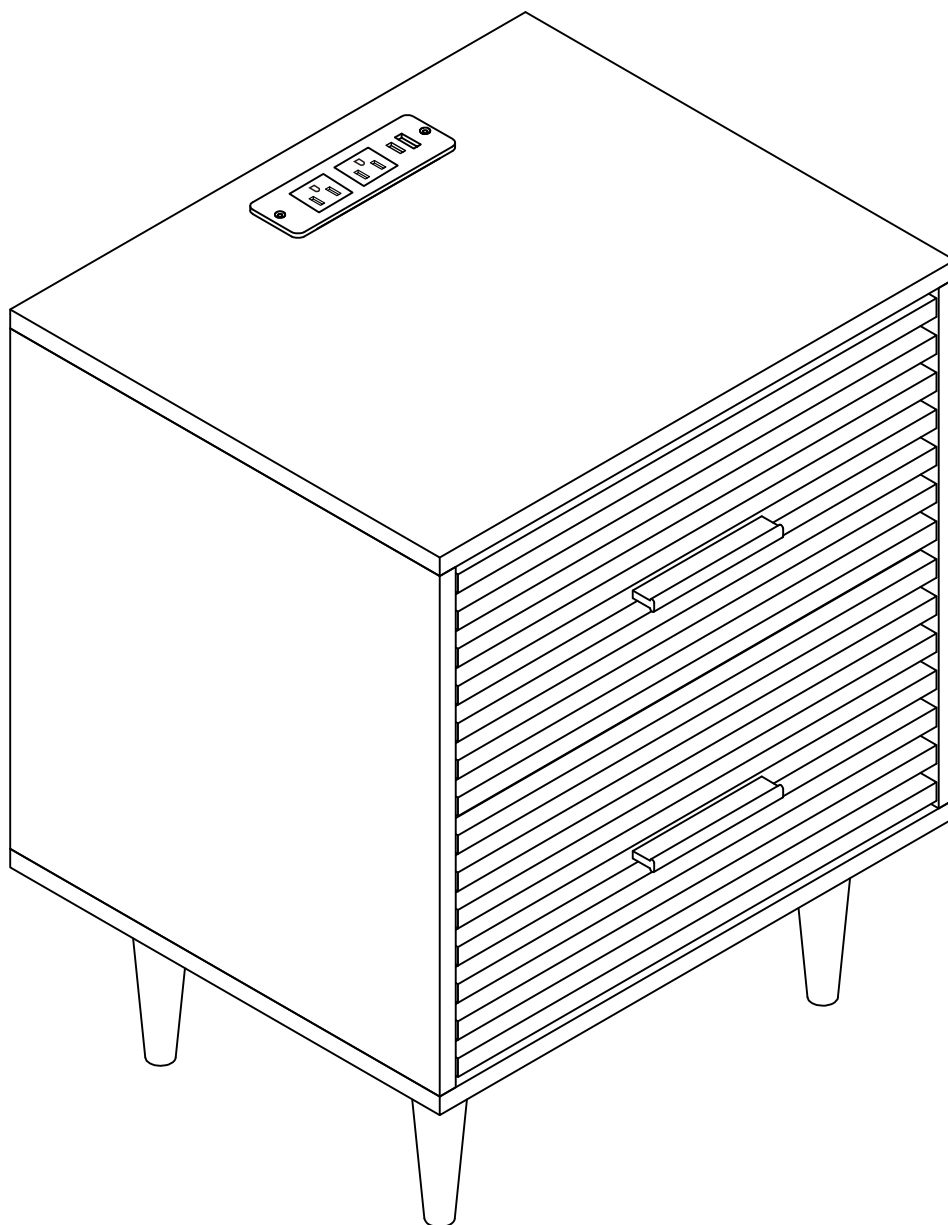


Nightstand (with socket)

Assembly Instructions - Please keep for future reference



Important - Please read these instructions fully before starting assembly

Safety and Care Advice

Important - Please read these instructions fully before starting assembly

- Check you have all the components and tools listed on the following pages.
- Remove all fittings from the plastic bags and separate them into their groups.
- Keep children and animals away from the work area, small parts could choke if swallowed.
- Make sure you have enough space to layout the parts before starting.
- During assembly do not stand or put weight on the product, this could cause damage.
- Assemble the item as close to its final position (in the same room) as possible.
- Assemble on a soft level surface to avoid damaging the unit or your floor.
- Parts of the assembly will be easier with 2 people.
- To reduce the likelihood of damaging your product please ensure that your power drill is set on a low torque setting.

Care and maintenance

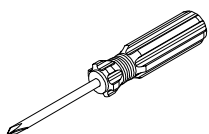
- Only clean using a damp cloth and mild detergent, do not use bleach or abrasive cleaners.
- From time to time check that there are no loose screws on this unit.
- This product should not be discarded with household waste. Take to your local authority waste disposal centre.

Handy Hints

- Assemble all parts and bolts loosely during assembly, only once the product is complete should you fully tighten the bolts.
- Regularly check and ensure that all bolts and fittings are tightened properly.

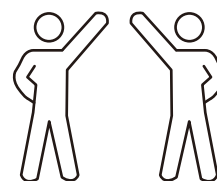
Tools required

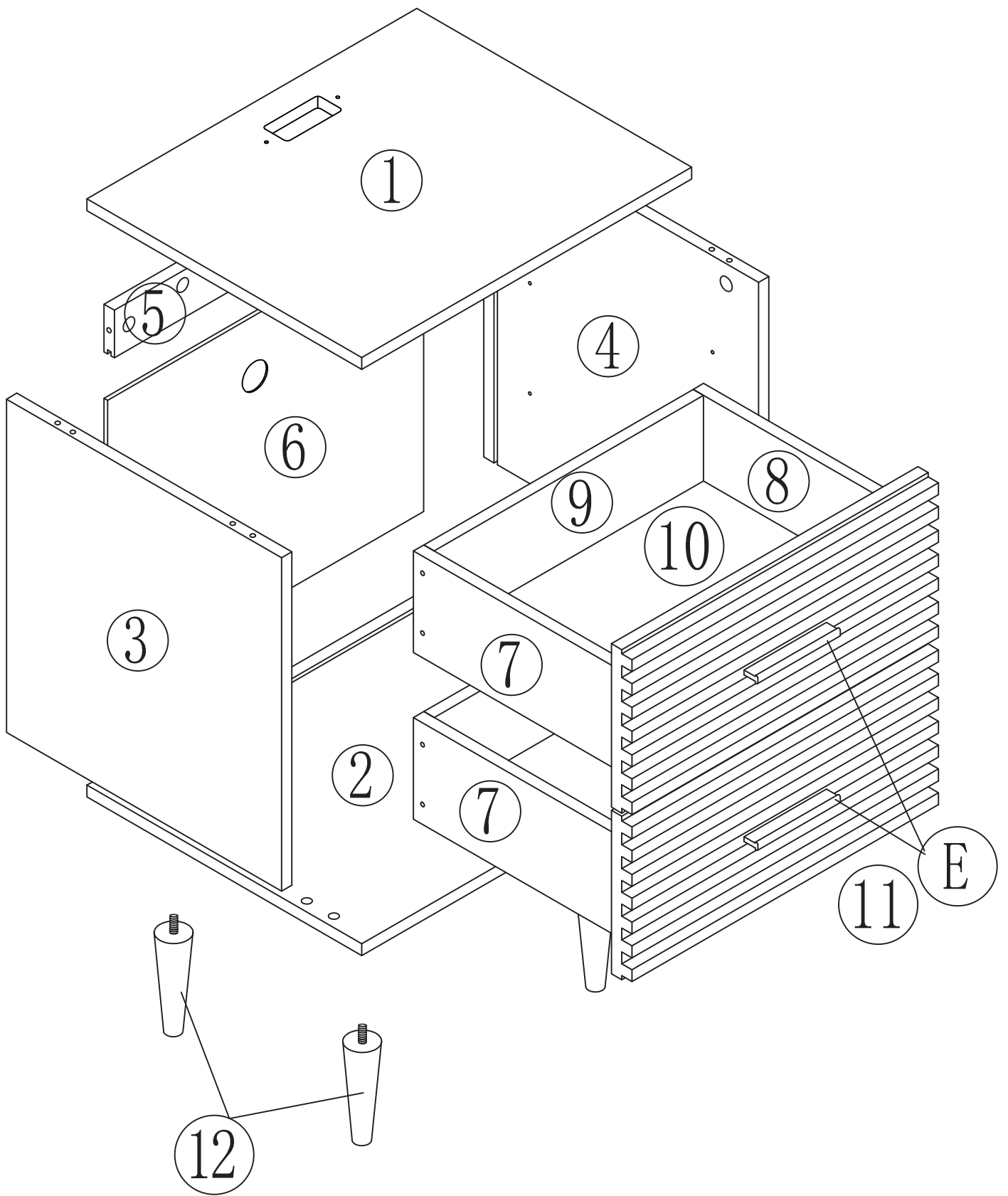
- Phillips screwdriver

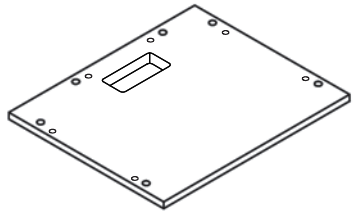
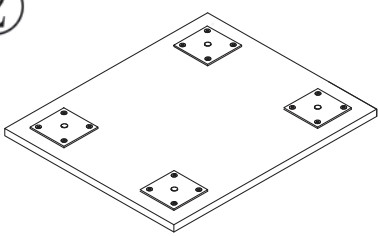
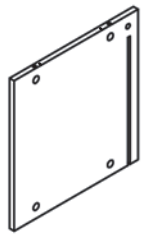
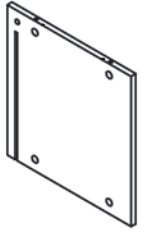
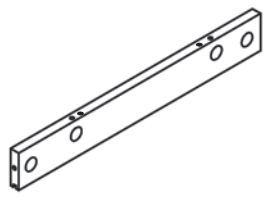
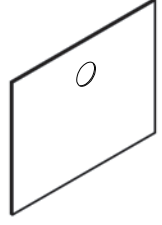
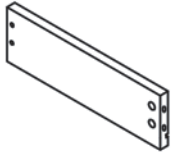
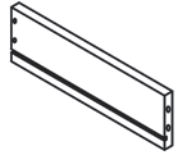
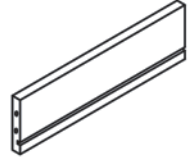
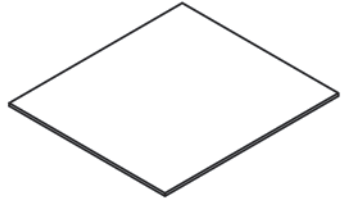
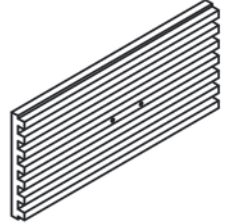






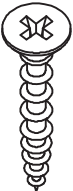
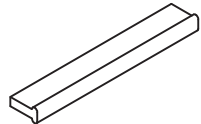



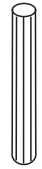

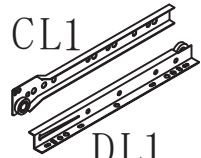
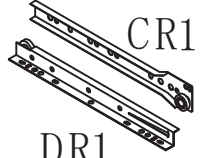
Tips for installation

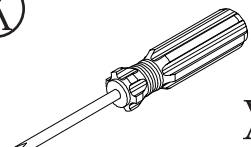


- Two people install together

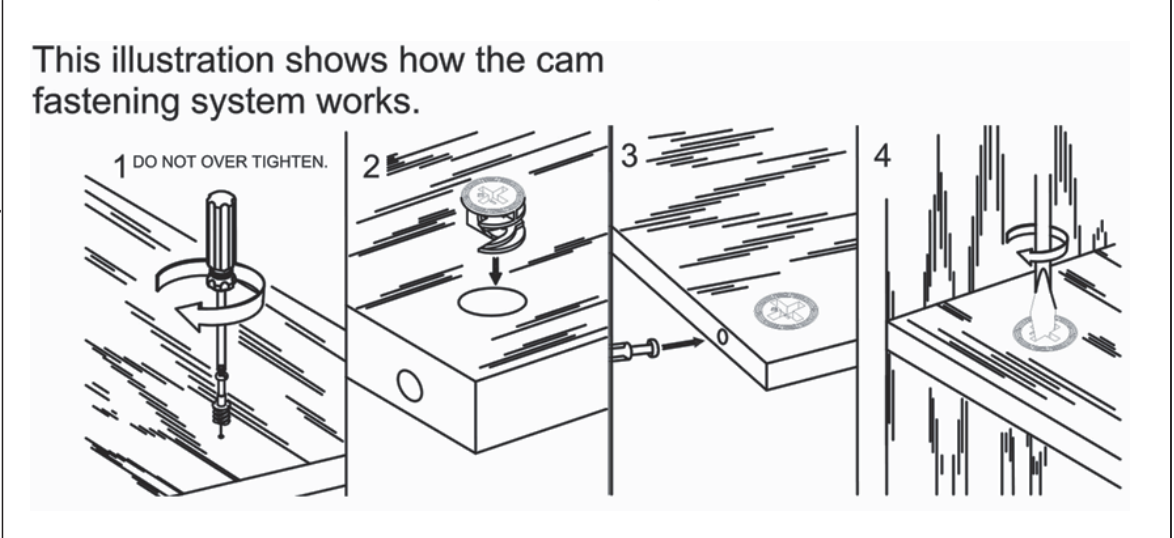




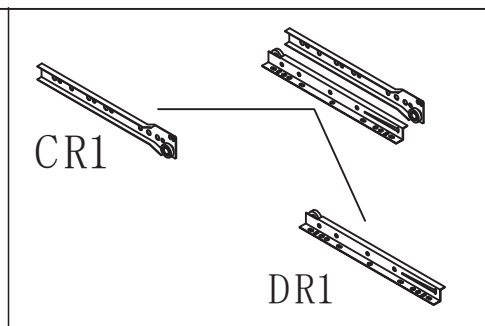
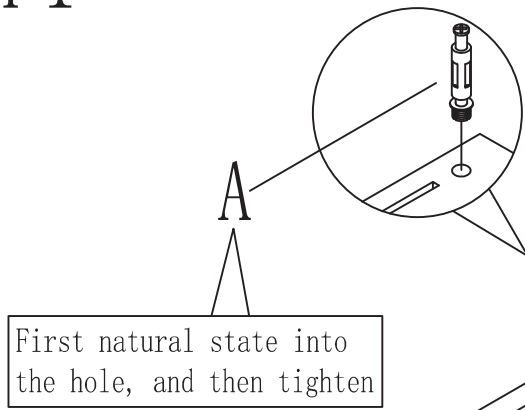
①  X1	②  X1	③  X1
④  X1	⑤  X1	⑥  X1
⑦  X2	⑧  X2	⑨  X2
⑩  X2	⑪  X2	⑫  X4




A  X20	B  X12	C  M3*14 X20	D  ∅ 3.5*35 X8	E  X2	F  X4
G  X4	H  X8	I  X10	J  X20	CL1 DL1  X2	CR1 DR1  X2

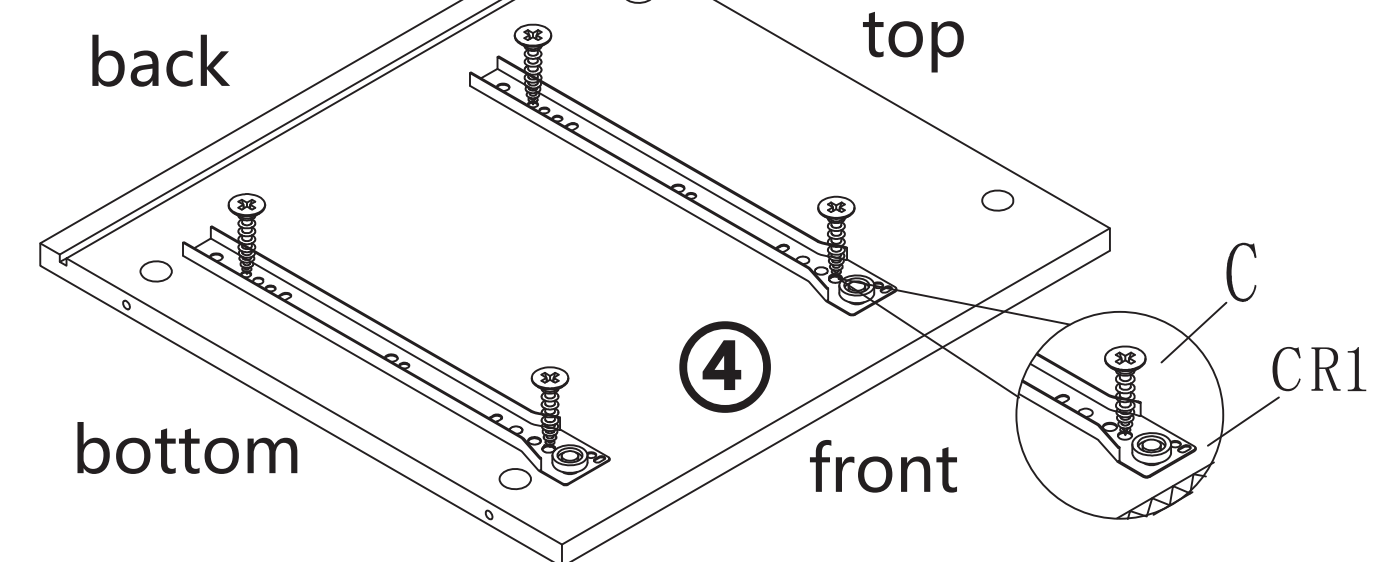
K  X1
L  X1
N  black M3*12 X2



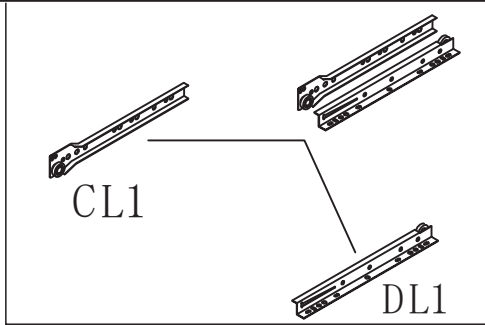
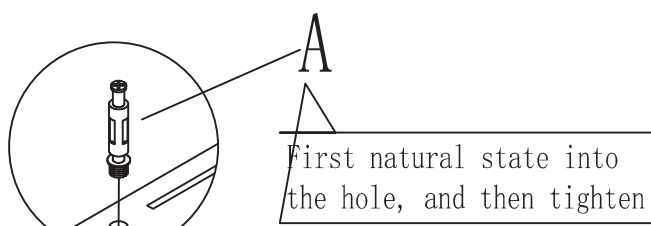
STEP 1






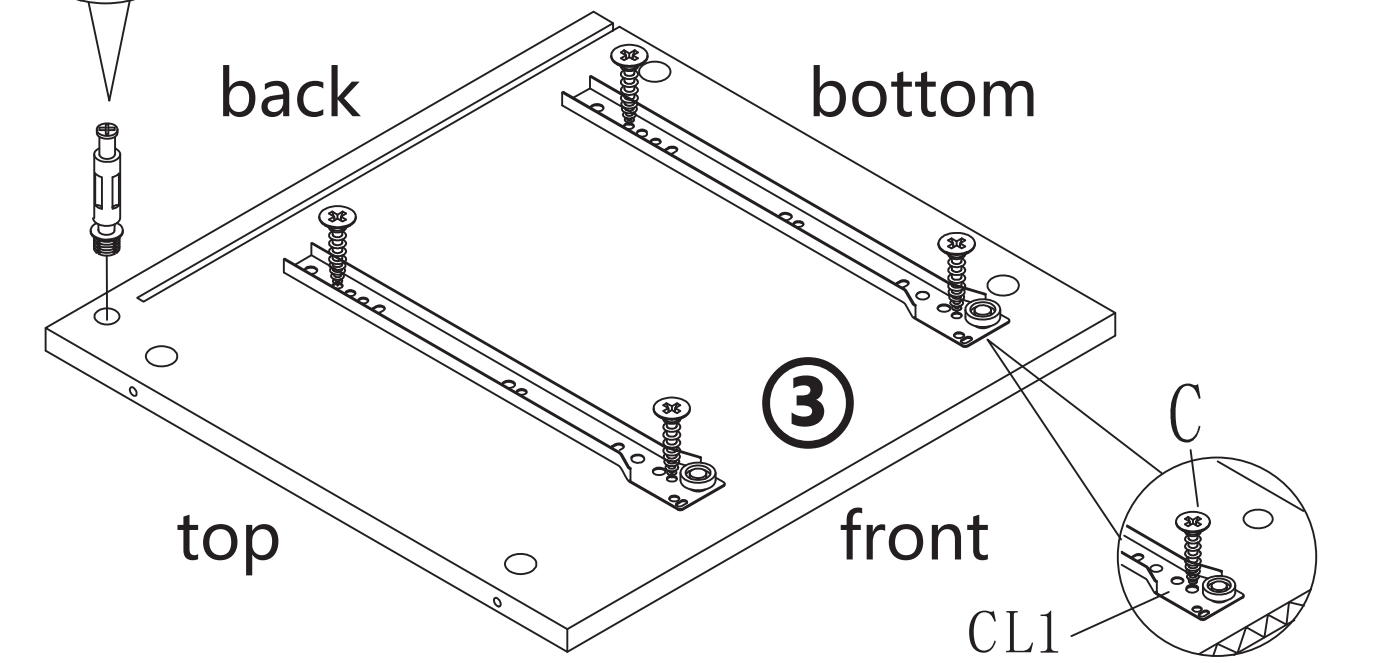
- A:  X1
- C:  X4
- CR1:  X2



STEP 2

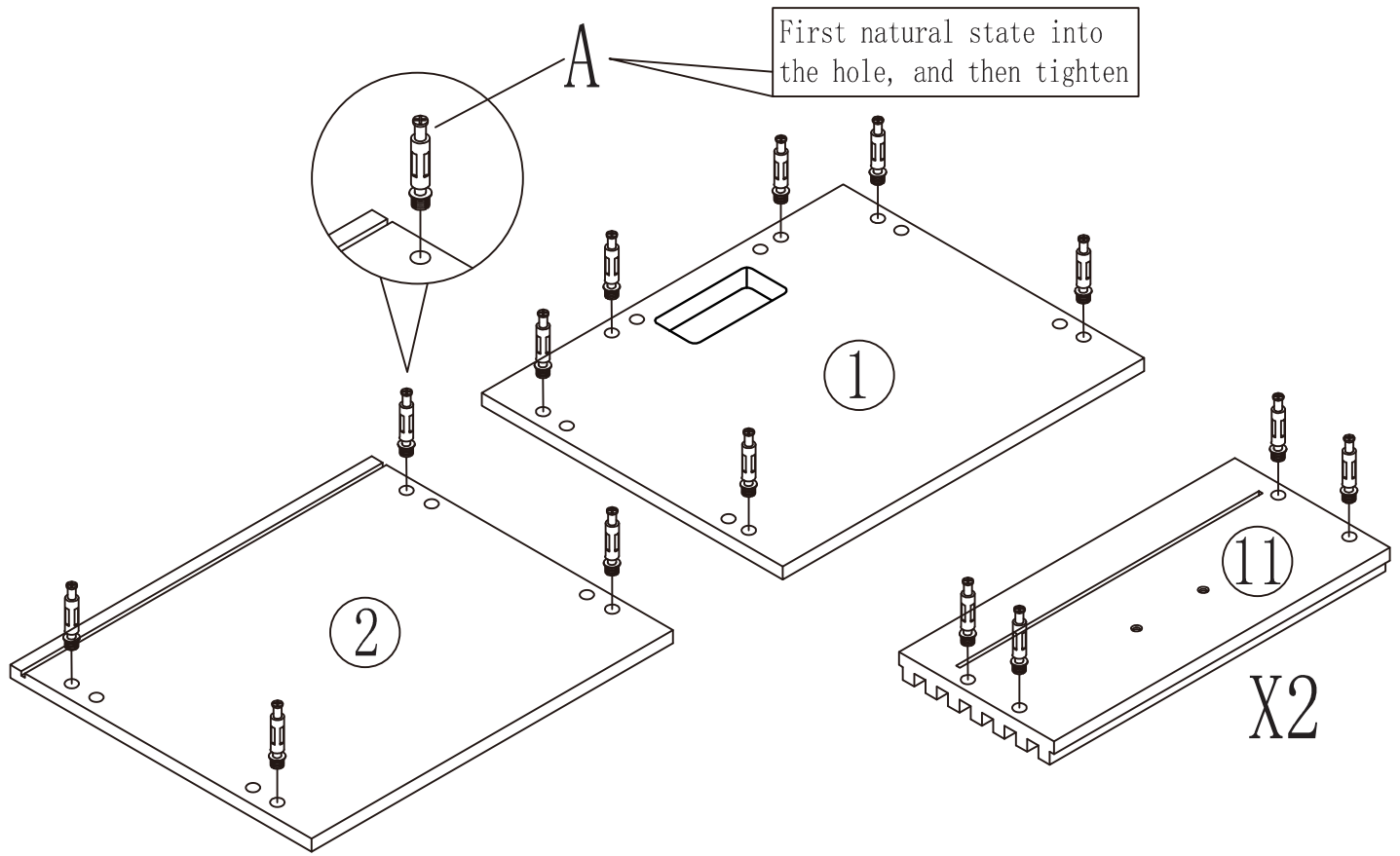


- A:  X1
- C:  X4
- CL1:  X2



STEP3

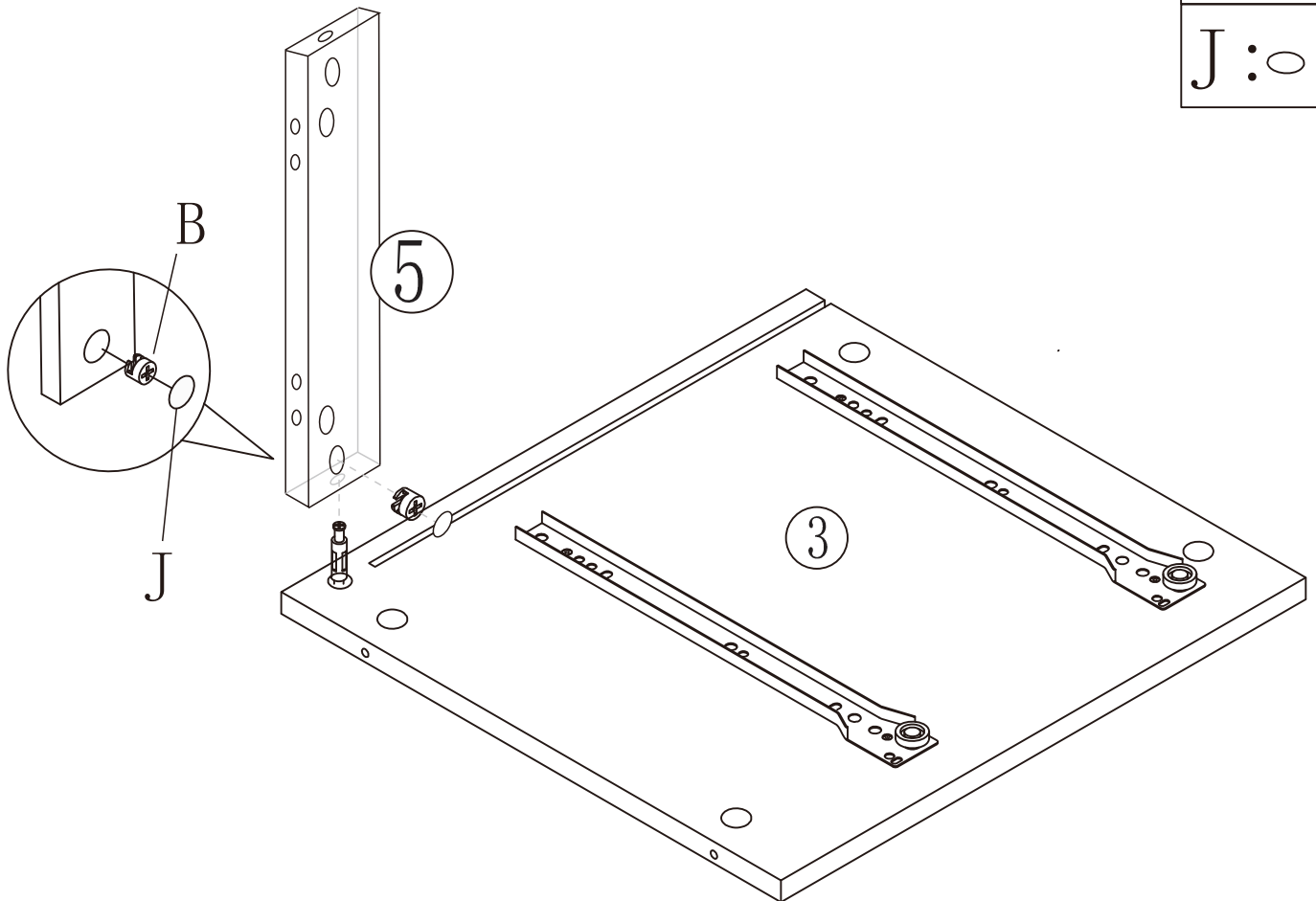
A:  X18



STEP4

B:  X1

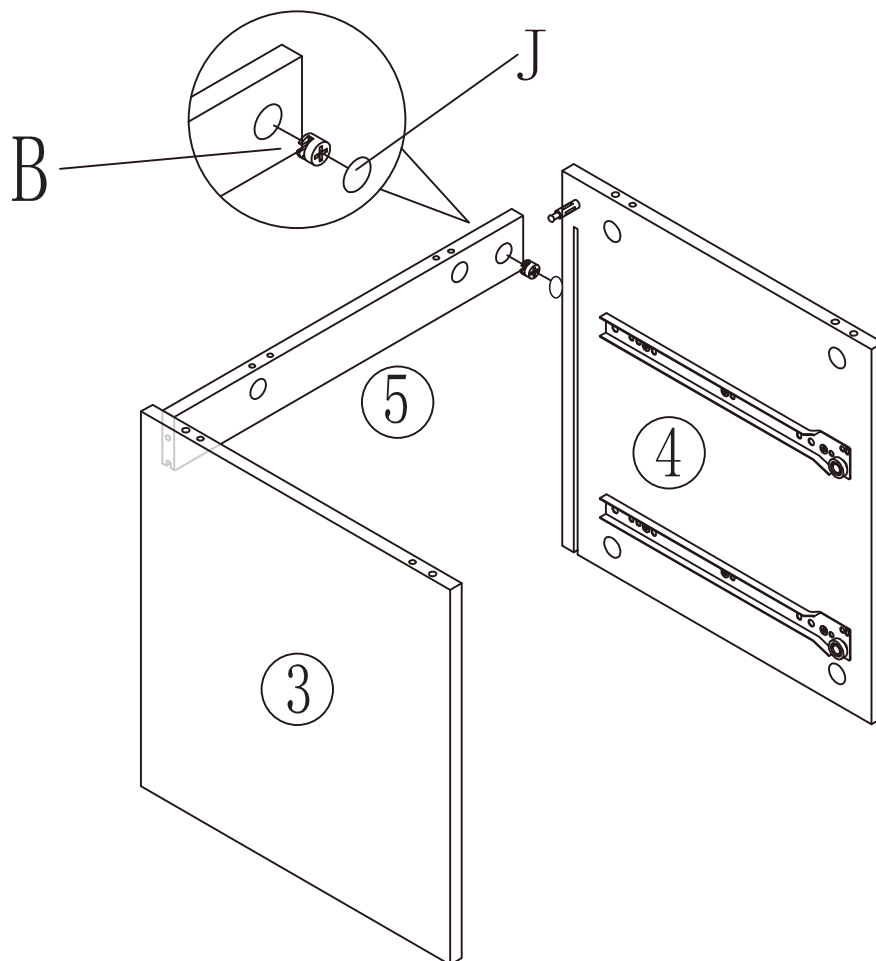
J:  X1




STEP5

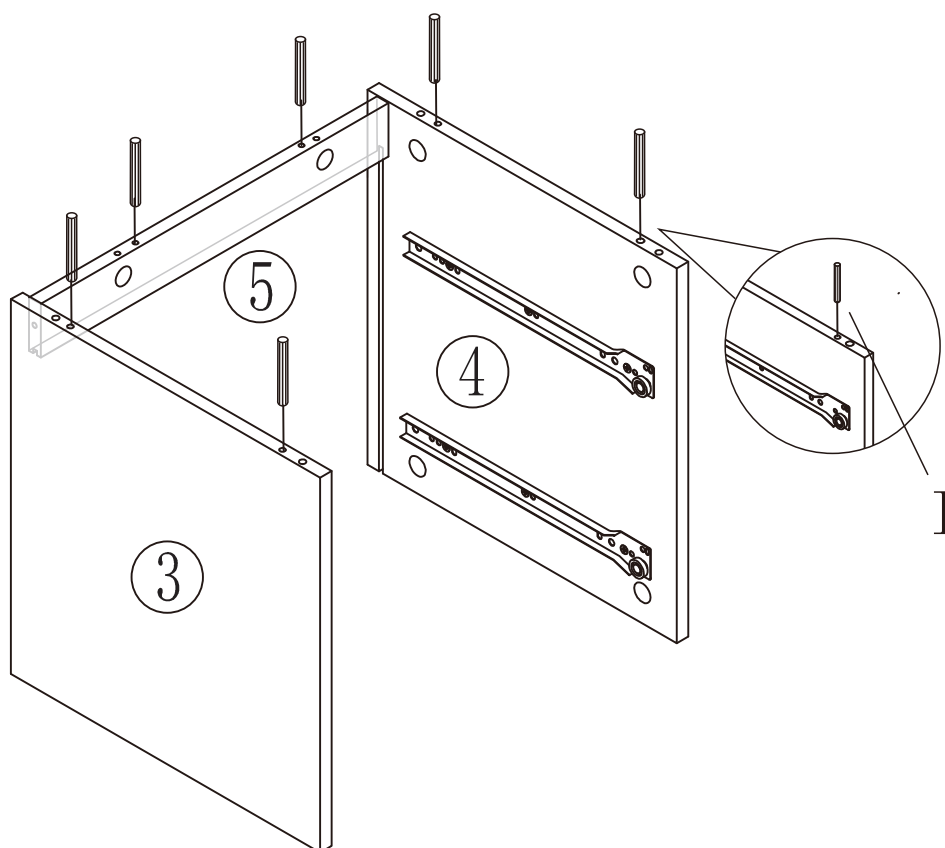
B:  X1

J:  X1

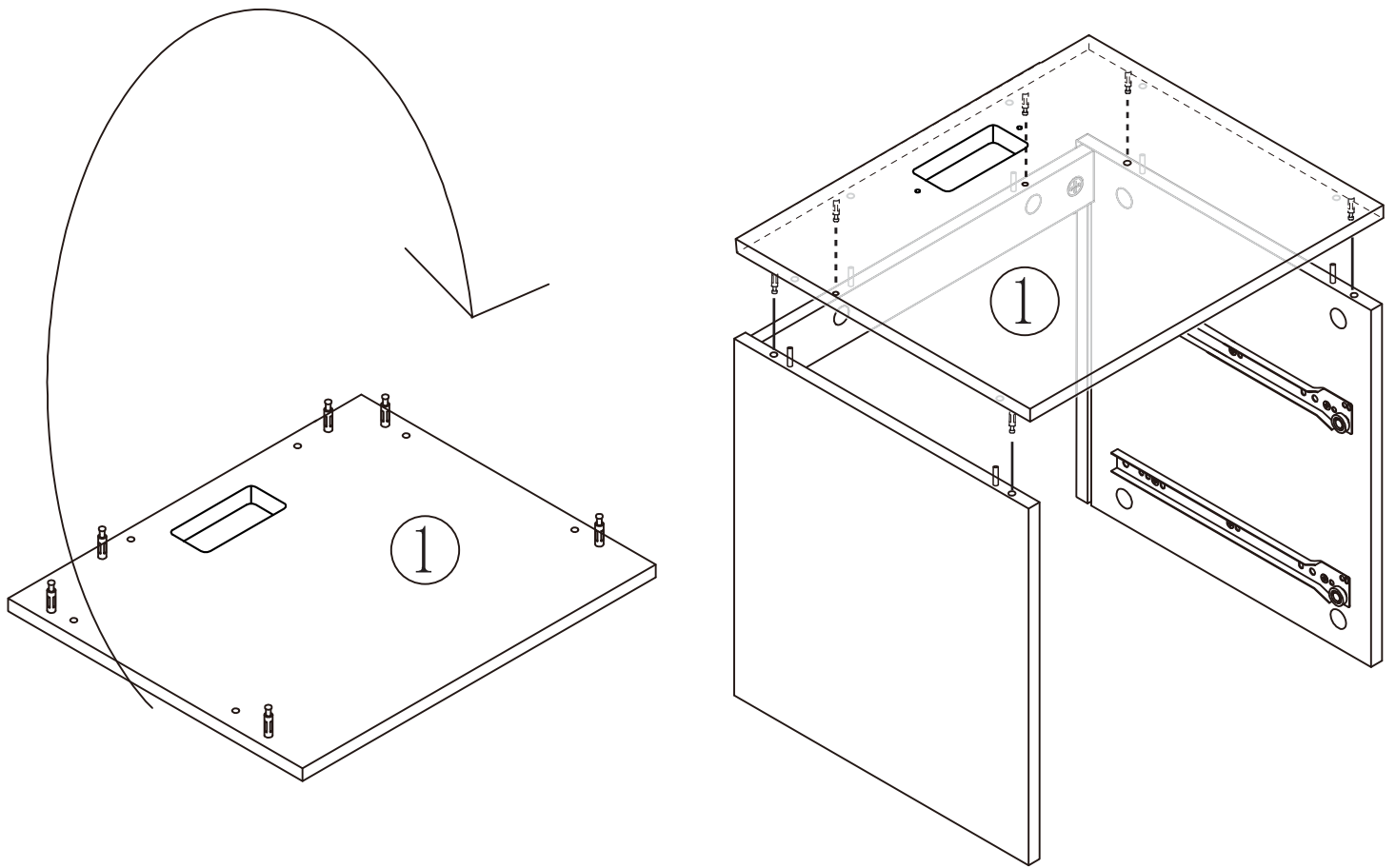


STEP6

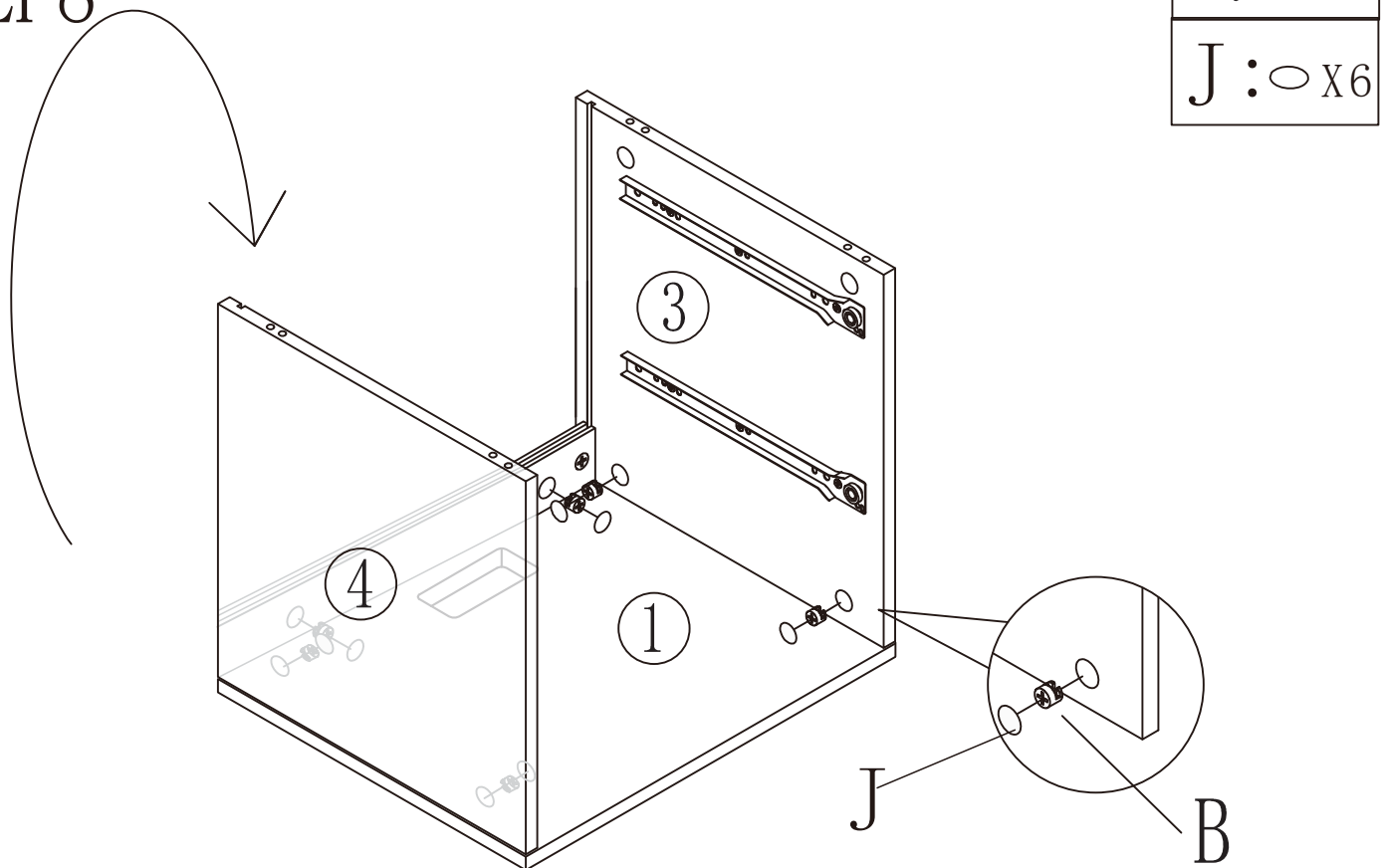
I:  X6



STEP7

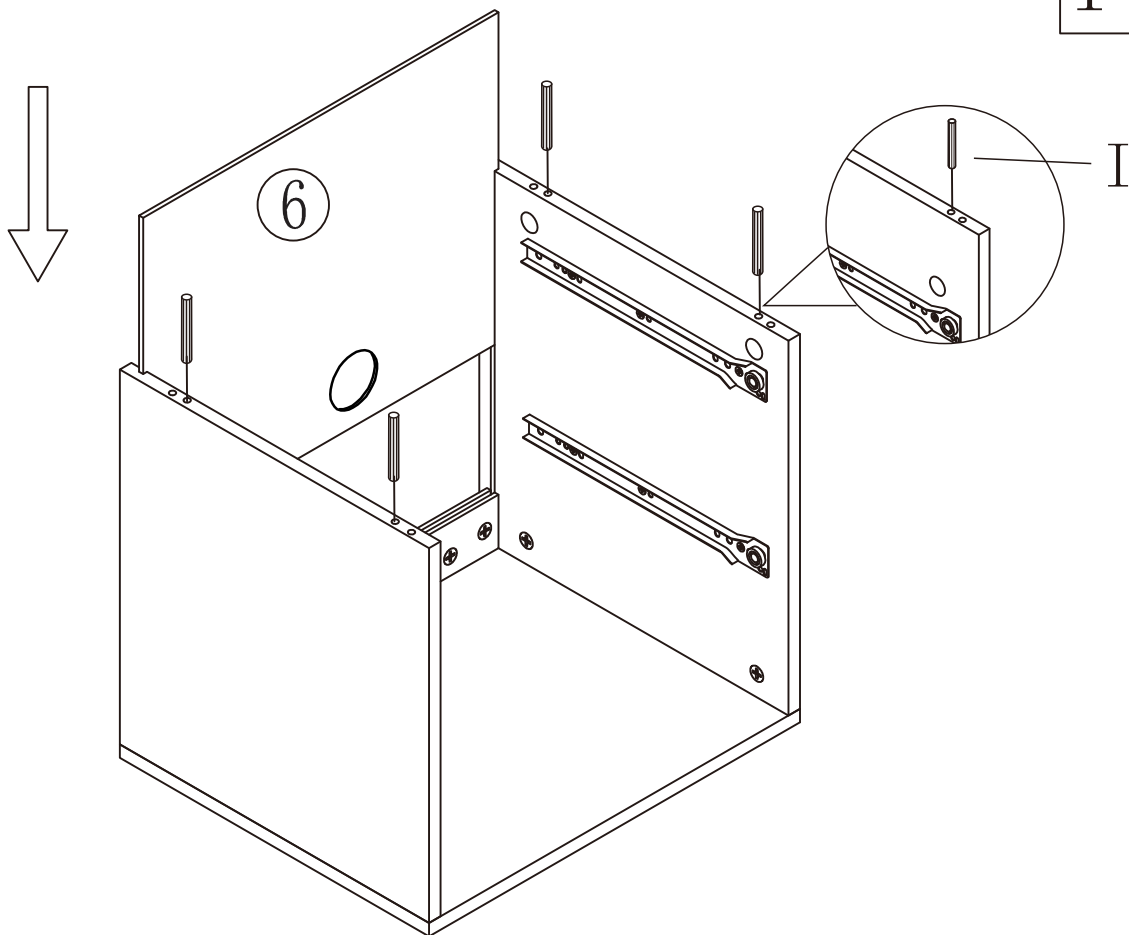


STEP8



STEP 9

I :  X4

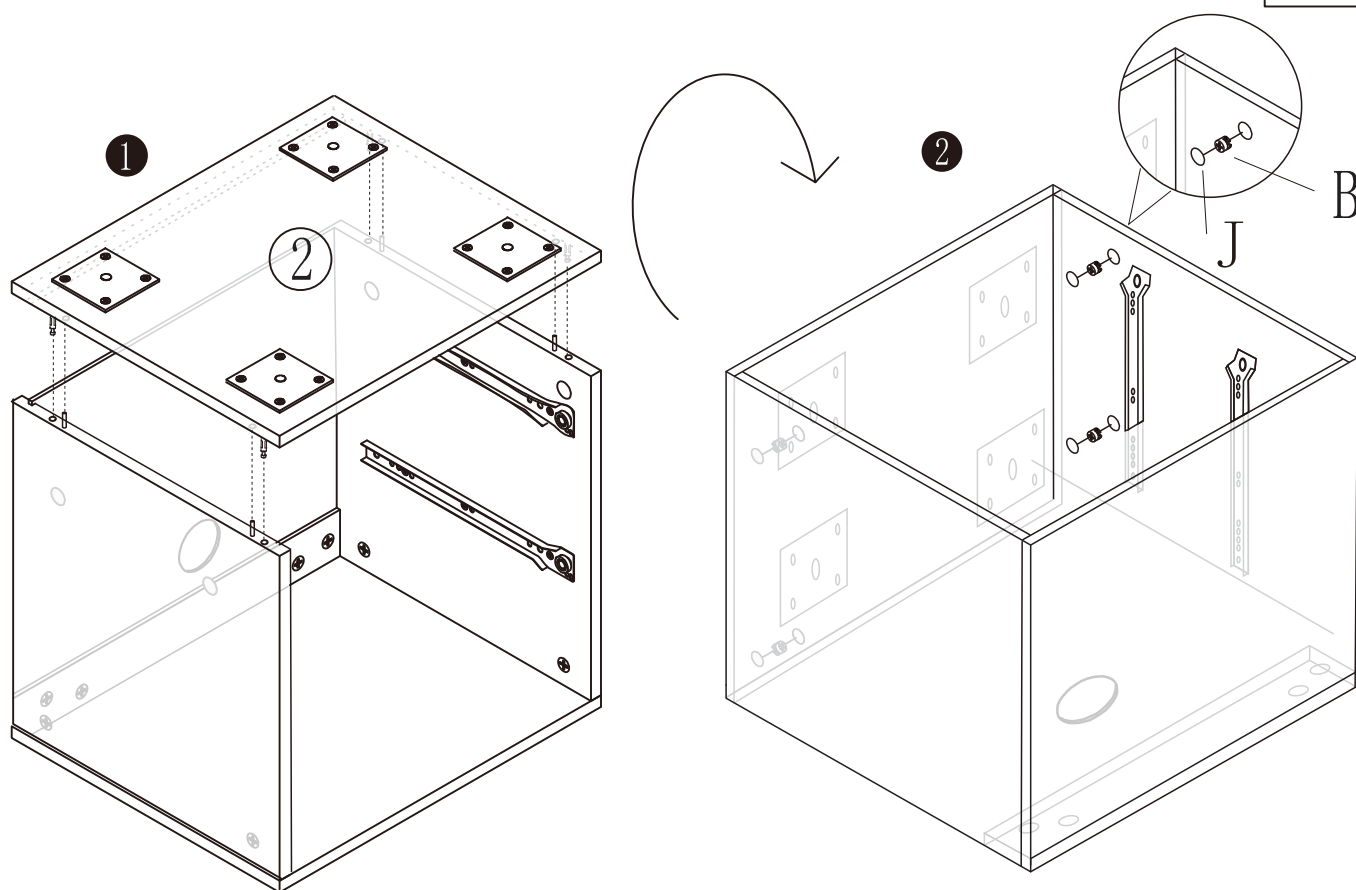


STEP 10

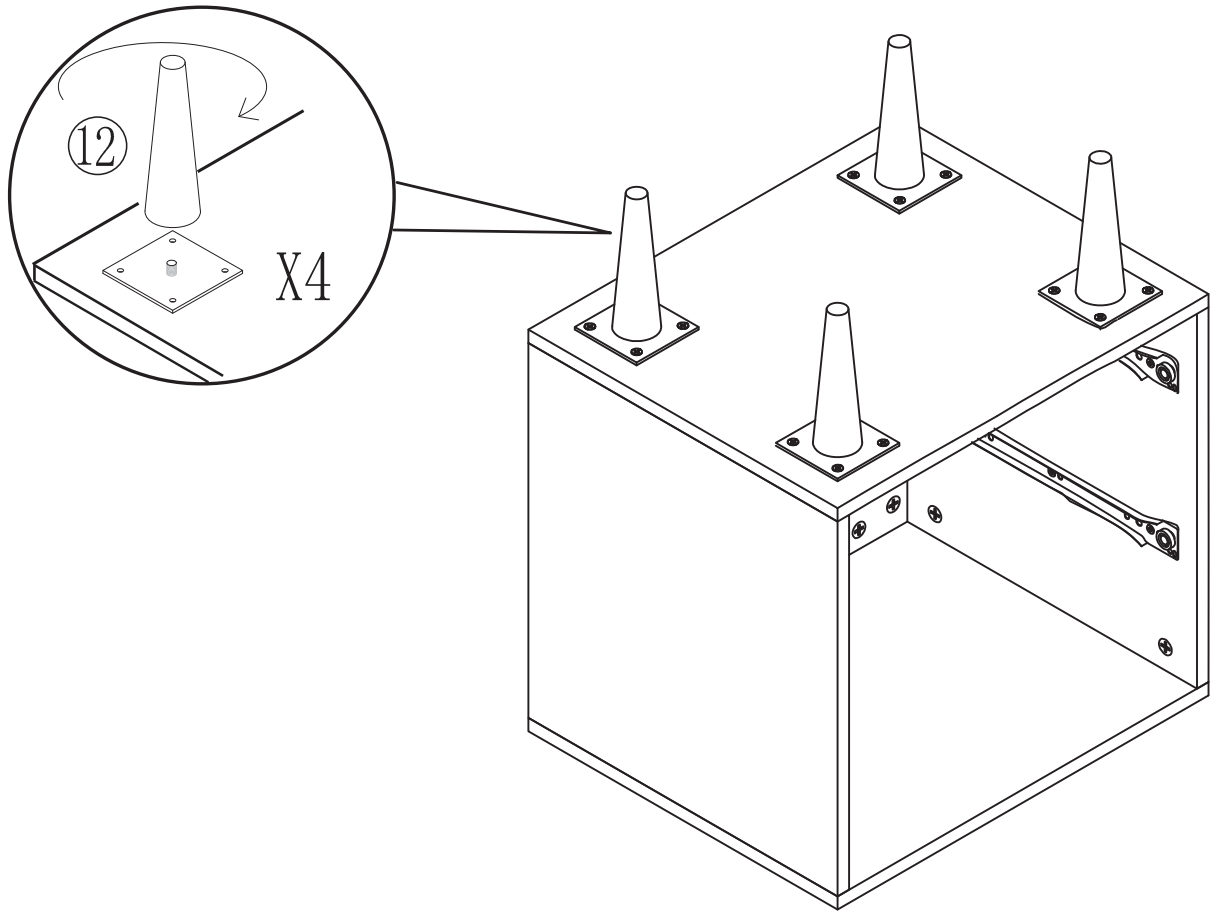
After installing ①, flip the direction and fix ②

B :  X4

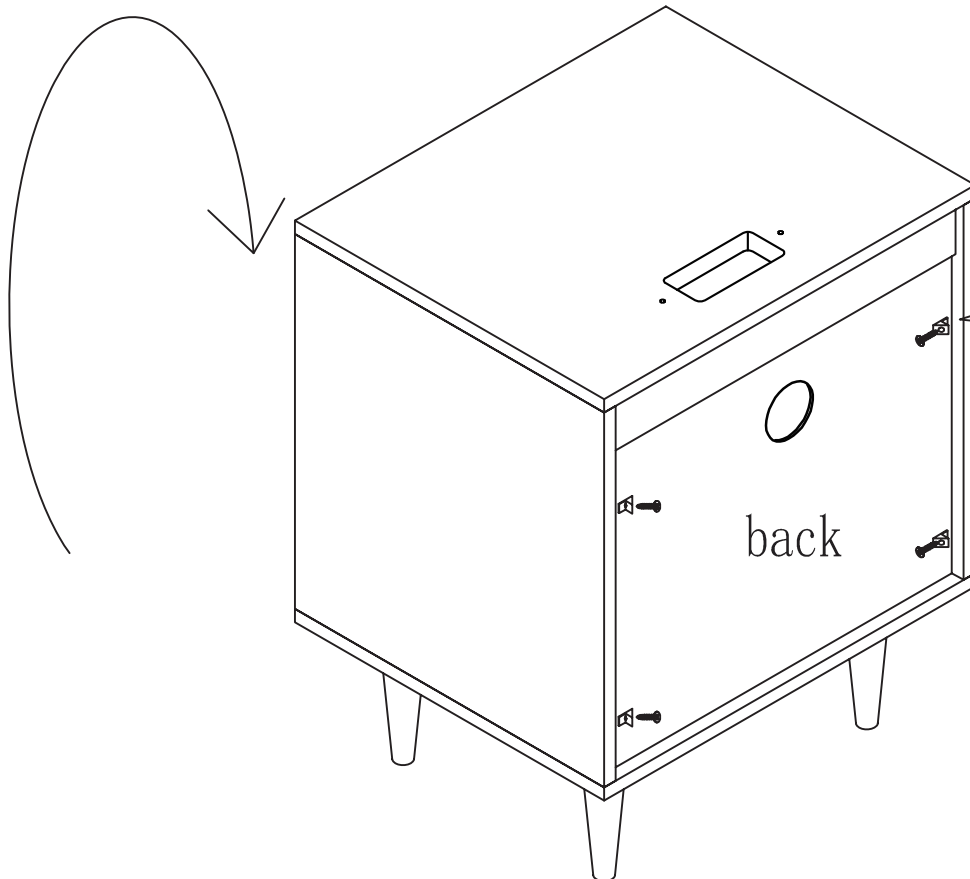
J :  X4



STEP 11

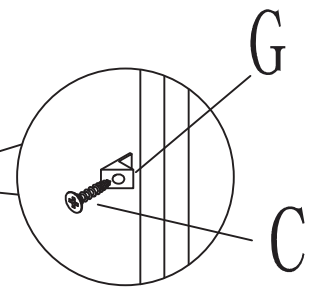


STEP 12



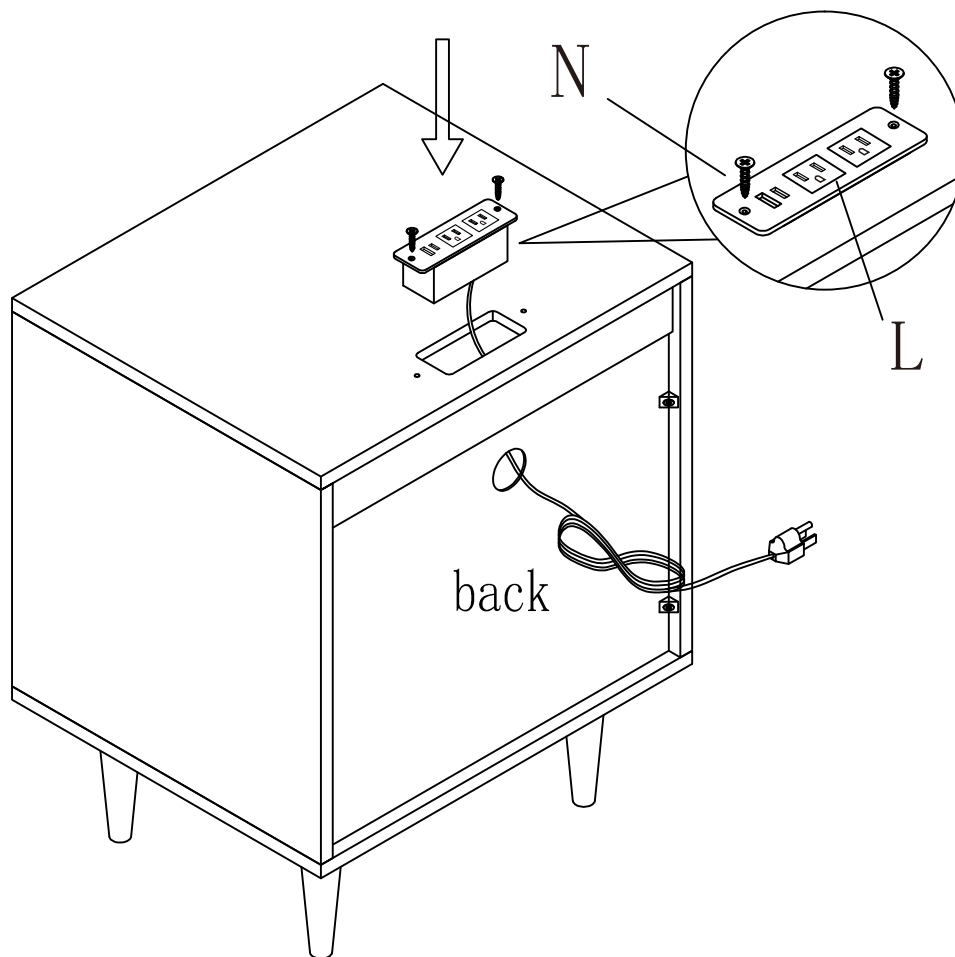
C:  X4

G:  X4



1. Insert the corner code into the seam
2. Tighten the screw

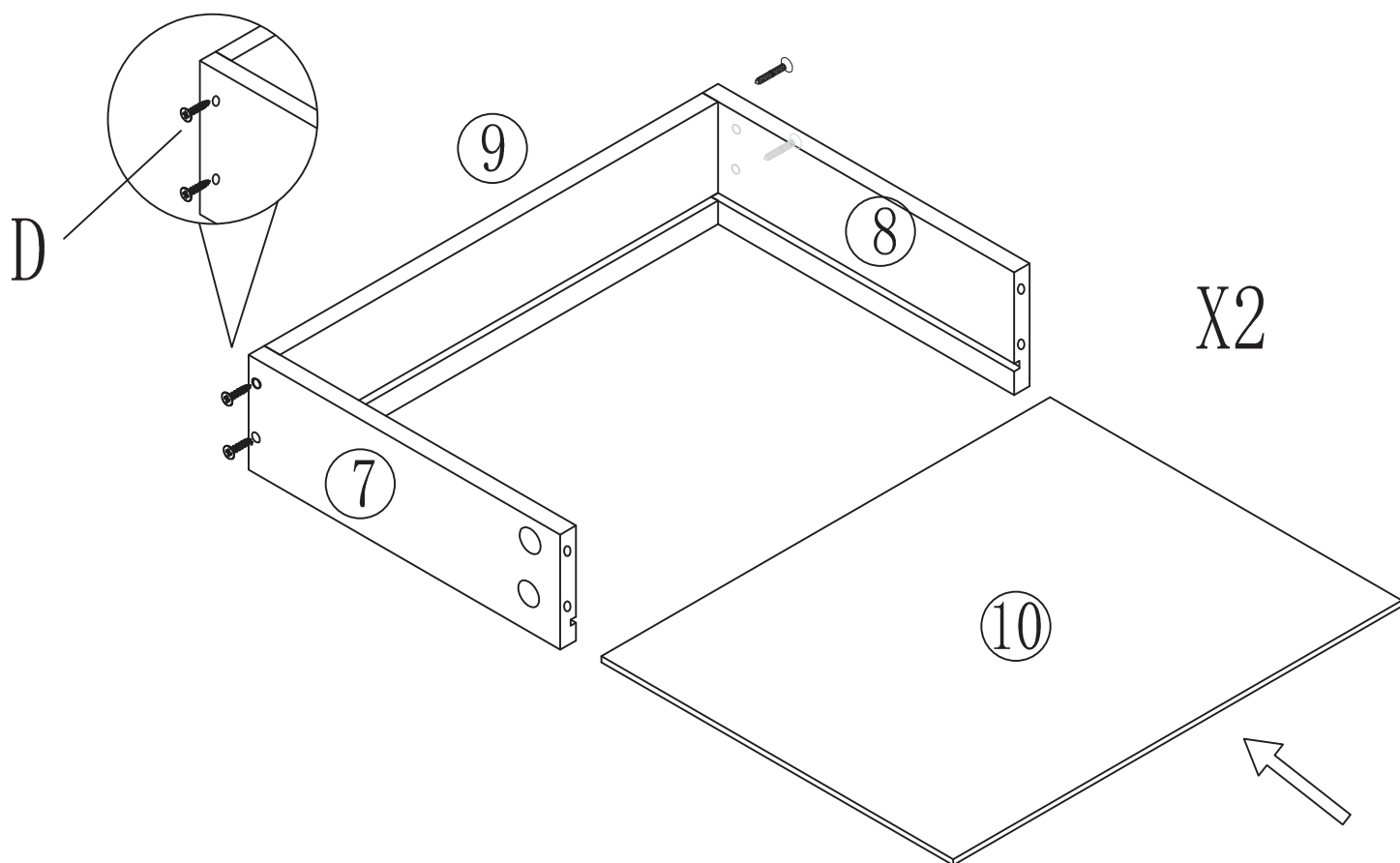
STEP13



L:  X1

N:  X2

STEP14



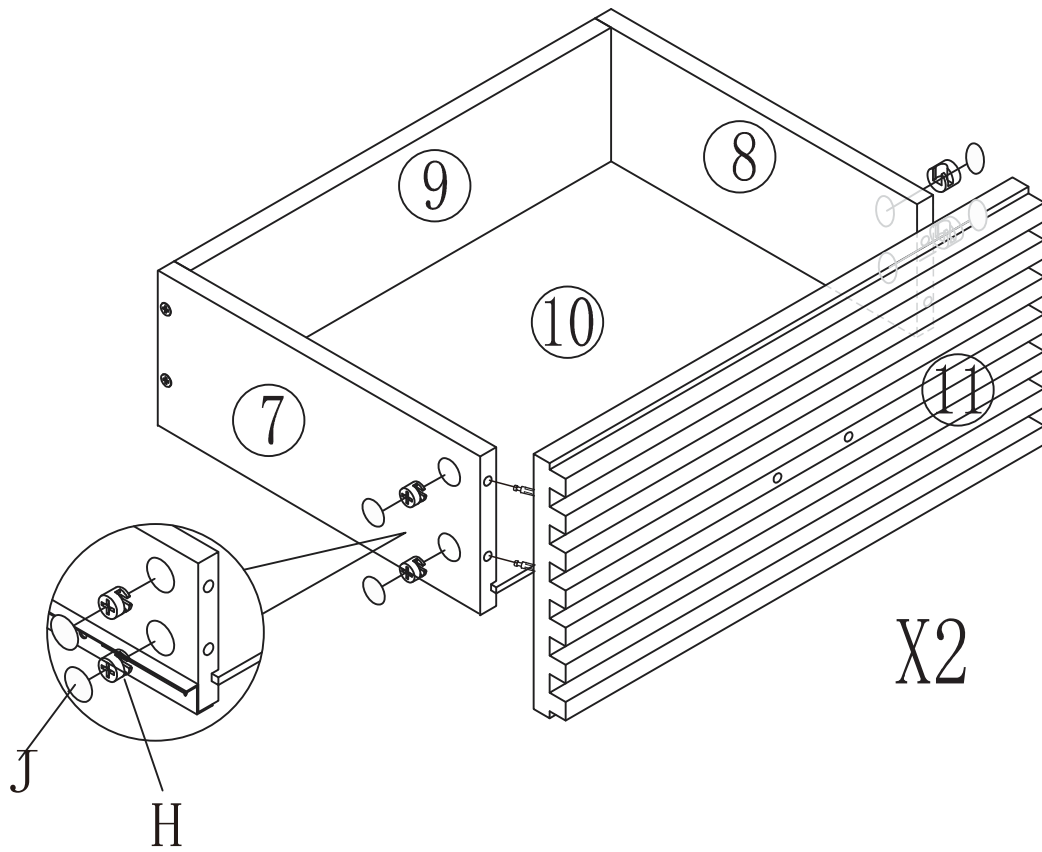
D:  X8

X2

STEP15

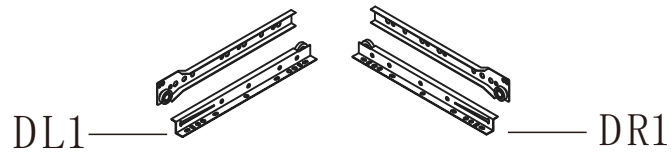
H:  X8

J:  X8



X2

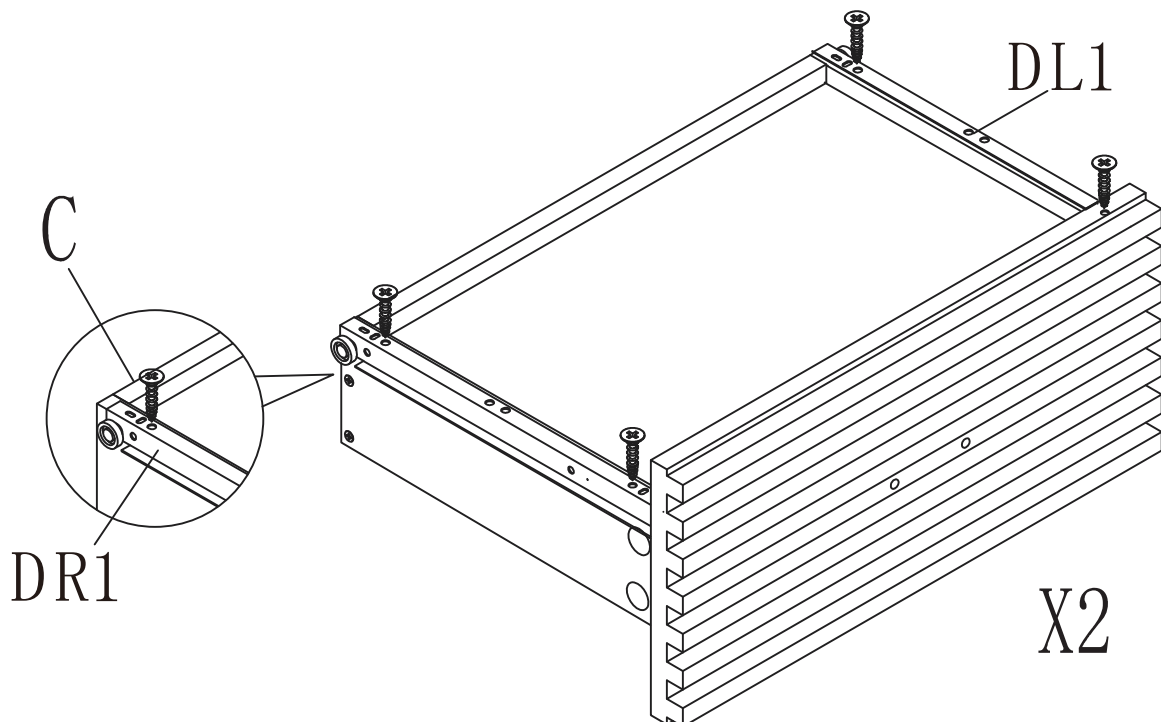
STEP16



C:  X8


DR1:  X2

DL1:  X2

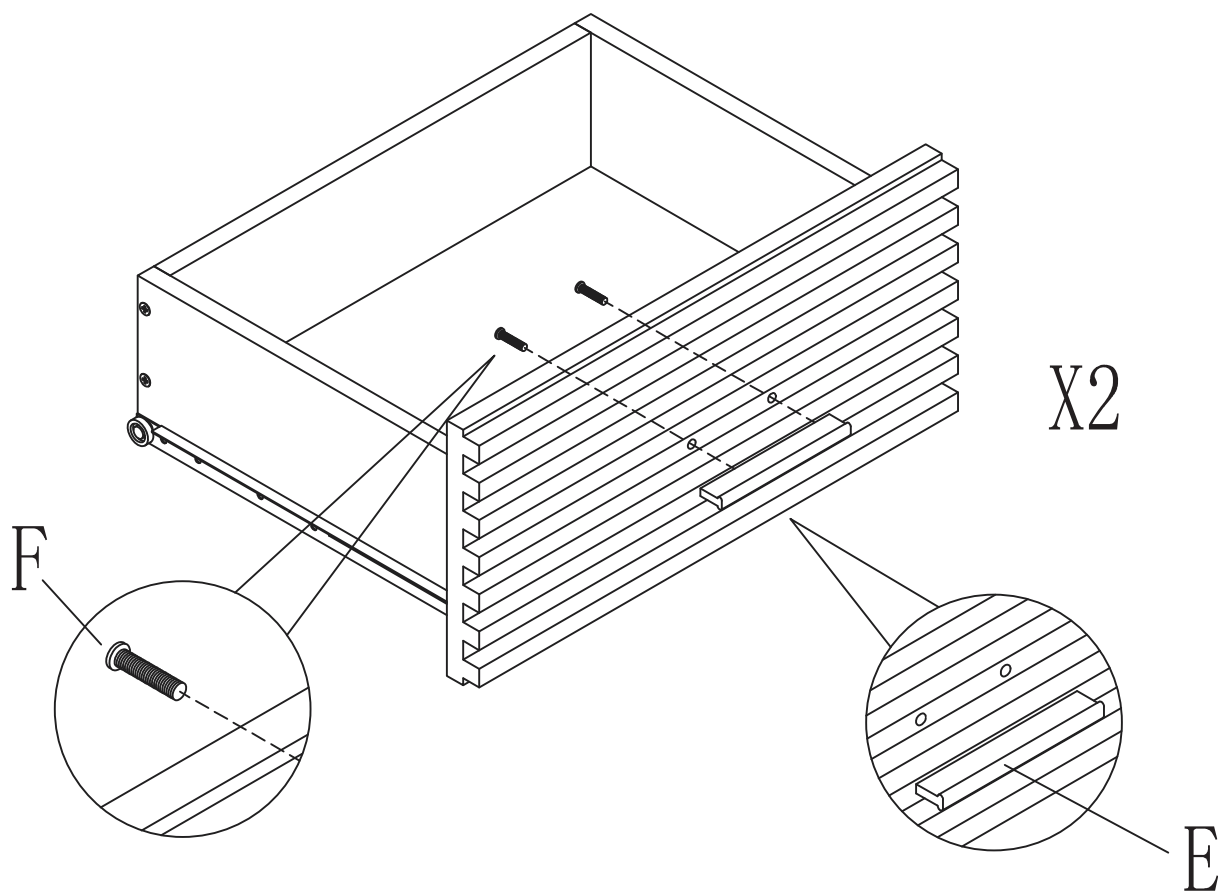


X2

STEP 17

E:  X2

F:  X4



STEP 18

