

Please follow these fixing and care instructions to ensure your Toilet Seat is fitted safely.

This instruction leaflet applies to the following products:

WL400122H - Easy-Fit, Hygiene'N'Clean, Slow Close Toilet Seat

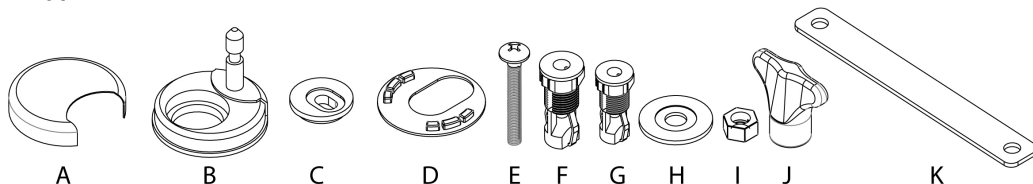
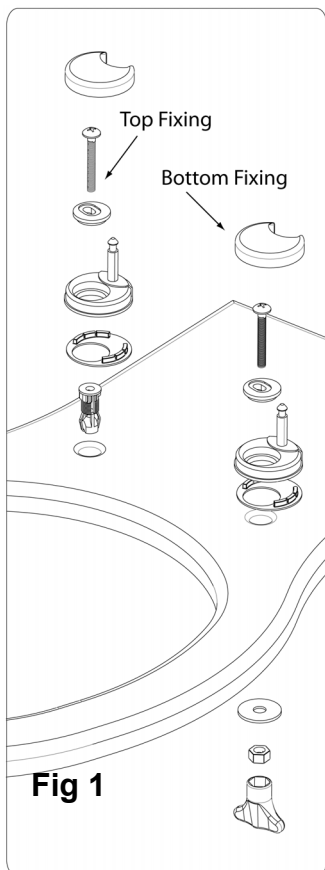
Fitting Pack Contents

- (A) Hinge Cover x 2
- (B) Hinge Plate x 2
- (C) Screw Insert x 2
- (D) Gasket x 2
- (E) Fixing Screws x 2
- (F) 14mm Diameter Expansion Nut x 2

- (G) 12mm Diameter Expansion Nut x 2
- (H) Washer x 2
- (I) Hexagonal Nut x 2
- (J) Key x 1
- (K) Card Template x 1

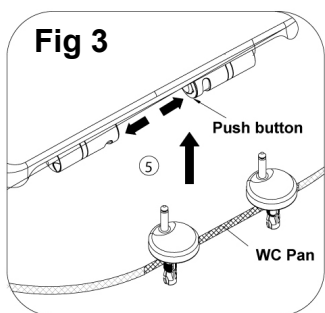
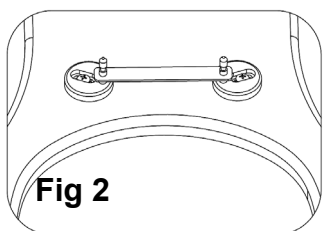
Tools Required

Cross Head Screw Driver



Fitting Instructions

1. Carefully remove the existing toilet seat and clean the top surface of the WC pan.
2. Lay the seat onto the rim of the pan to make sure the seat follows the contour of the rim. Mark the approximate position of the hinge centres.
3. The seat has been designed to fit British Standard pan hole centres 150mm (+/- 15mm) wide.
4. Decide the most appropriate fixing method, either top or bottom fixing. (See fig.1.)
5. For top fixing, follow the left hand diagram in Fig 1 and insert the expansion nuts into the holes in the WC pan. Use the correct size for the hole in the pan. Two sizes are provided, White for 14mm diameter holes and Grey for 12mm diameter holes. If the expansion nuts do not fit, use the bottom fixing method.
6. For bottom fixing, follow the right hand diagram in Fig 1. (Note the expansion nuts are not used for bottom fixing.)
7. Position the gasket under the hinge plate making sure the large oval holes are aligned. (See fig.1.)
8. Insert the fixing screw through the screw insert and place into the hinge plate and loosely screw in position, using either the top or bottom fixing method.
9. Rotate the hinge plates and align the pins with the holes on the card template. Carefully slide the card template over the hinge pins to align the pin centres, Fig 2, and move the brackets until they are in the correct position for your pan. Tighten the screws.
10. Carefully remove the card template because it may be used again for seat re-alignment.
11. Place the seat in position on the hinge pins. Close the seat and check for seat alignment by confirming that there are no gaps between the seat and the rim of the toilet pan. If adjustment is required, remove the seat by depressing the hinge buttons shown in Fig 3, loosen the screws and replace the card template onto the pins before adjusting their positions.
12. When the correct seat alignment has been achieved tighten the screws firmly in position.
13. Place the hinge covers onto the hinge plates and push firmly into position. (See fig.3.)
14. Place the seat onto the hinge pins. Check alignment before use.



Product Care and Seat Removal

Remove the seat by depressing the push button on each hinge and lifting the seat from the hinge plates. (See fig 3.)

Clean with warm soapy water. Do not use abrasive or solvent-based cleaners. Proprietary liquid or spray bathroom cleaners may be used.

PLEASE KEEP THESE INSTRUCTIONS FOR FUTURE REFERENCE