

# **INSTRUCTION MANUAL**

---

## **11FT x 13FT Gazebo**

**IF YOU PURCHASED THE PRODUCT ONLINE AND HAVE ANY  
QUESTIONS OR CONCERNS PLEASE  
CONTACT US WITH EMAIL OR TEXT**

**EMAIL: [yardsightfurniture@outlook.com](mailto:yardsightfurniture@outlook.com)**

**TEXT: +1 323-400-0363**

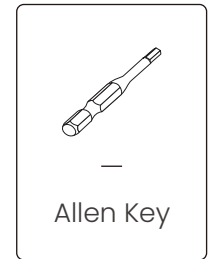
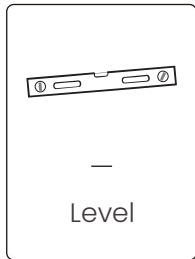
# Warnings and Cautions

- Please retain this instruction for future usage and read carefully before assembly.
- Make sure you have all the parts & hardware as the item list shows.
- 5 adults or more are recommended to install your gazebo.
- Do not discard any of the packaging until you have checked that you have all the parts and pack of fittings.
- Check all bolts for tightness before use, and periodically check and tighten bolts to ensure your gazebo works properly.
- Some parts might have sharp edges/corners. Please follow basic safety precautions to reduce the risk of hurt.
- It is essential to place the gazebo on level ground and not less than 6 feet from any obstruction such as fences, garages, the house, overhanging branches, laundry lines, or electrical wires.
- Lastly, be careful the parts are not swallowed by pets and kids.

# Pre-assembly

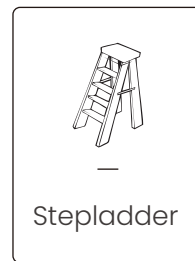
## TOOLS THAT MAY BE REQUIRED (NOT included in the boxes)

\*NOTE: Tools / equipment are not shown to actual size and scale

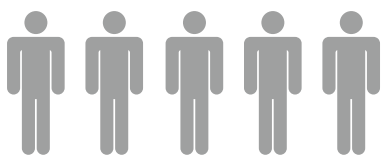


## EQUIPMENT REQUIRED (NOT included in the boxes)

\*NOTE: Equipment are not shown to actual size and scale



# Matters needing attention



Five or more people are required for assembly.



Do not fully tighten screws prior to complete assembly.

# Warranty

## One Year Warranty

### Frames

---

Frames constructions are warranted to be free from defects in material and workmanship for 1 year from item purchased. Damage to frame from negligence won't be covered by this warranty.

### Bolts & nuts

---

Bolts and nuts are warranted to be free from defects in material and workmanship for 1 year from item purchased. Damage from exposure to chemicals (including not only oils, spills, fluids) won't be covered by this warranty.

### Warranty Limitation

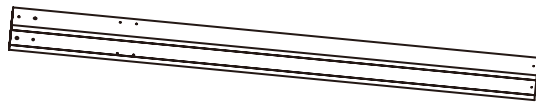
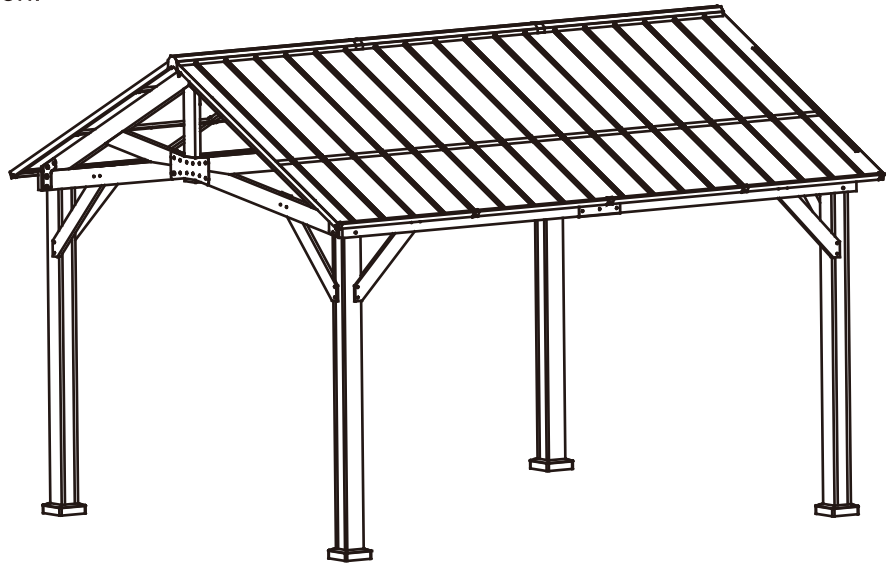
---

This warranty is for the original purchase order only. (Order number required). This warranty is non-transferable.

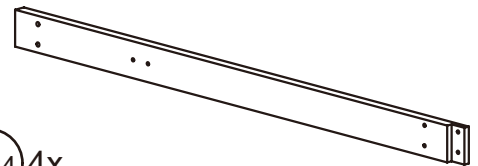


### Attention:

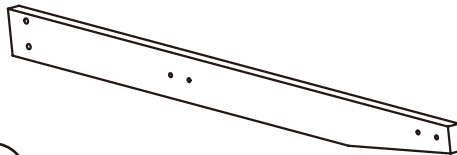
1. Please do not fully tighten all the screws prior to complete assembly.
2. Please check the manual carefully and make sure you have received all the parts.
3. If there is any missing, please let us know the parts with the part number you need.
4. If there is any damage, please send clear photos to us, we will check and offer you best solution soon.



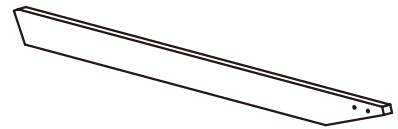
WA1 4x



WB4 4x



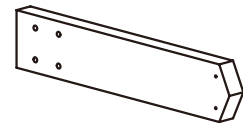
WB5 4x



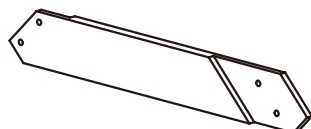
WC4 4x



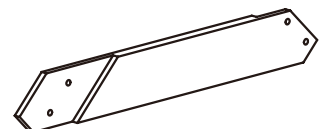
WC5 4x



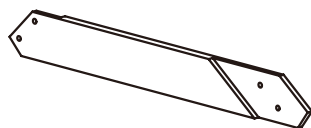
WC6 2x



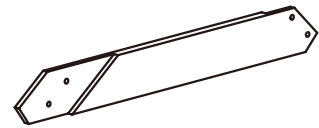
WH1 2x



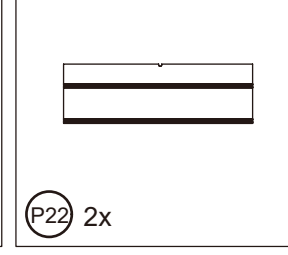
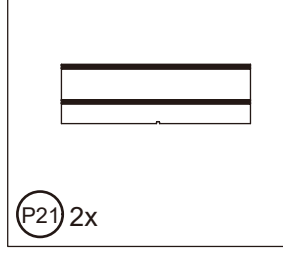
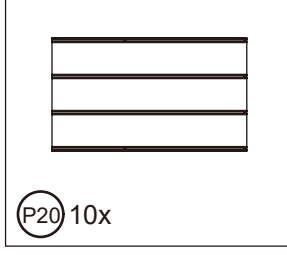
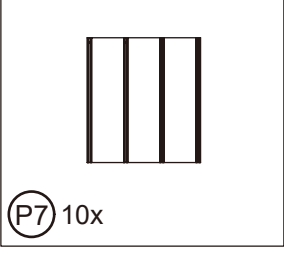
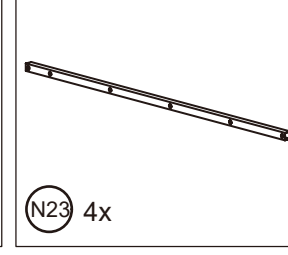
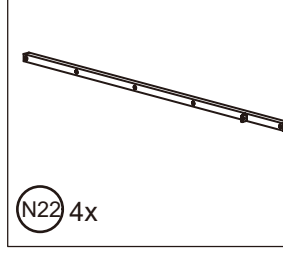
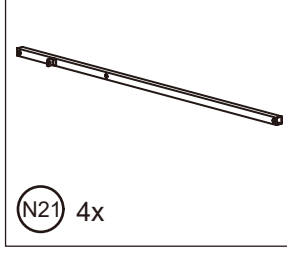
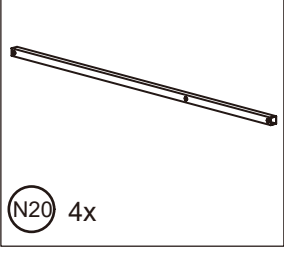
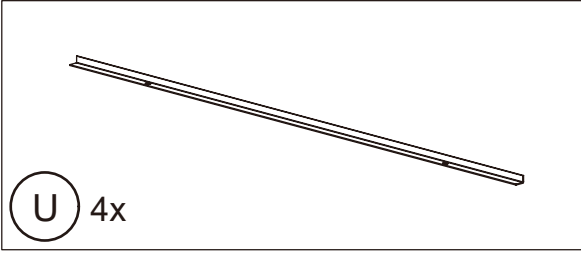
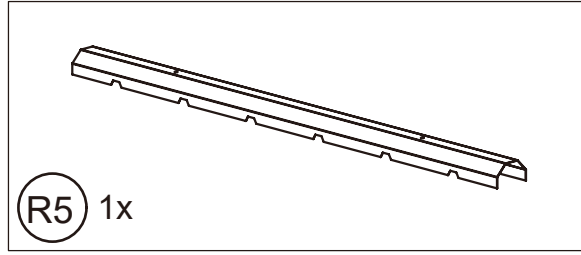
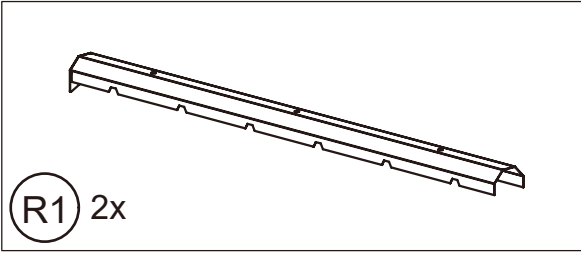
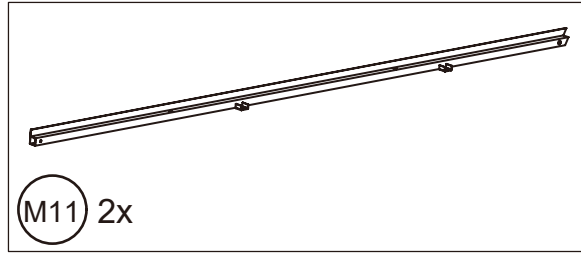
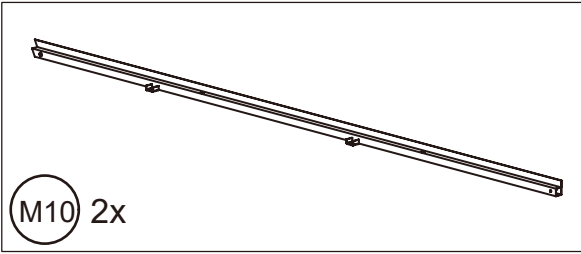
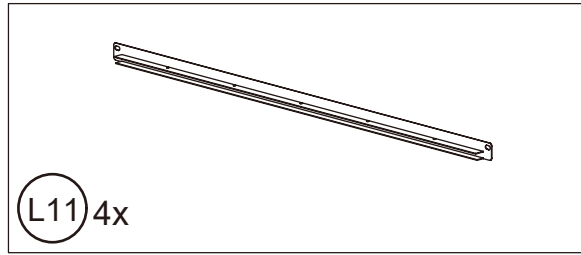
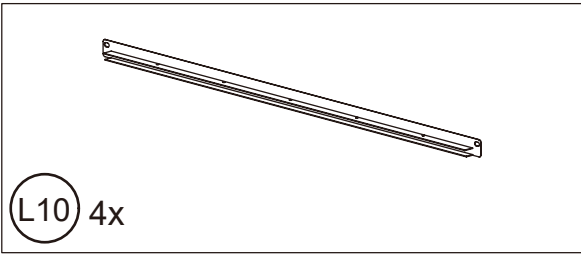
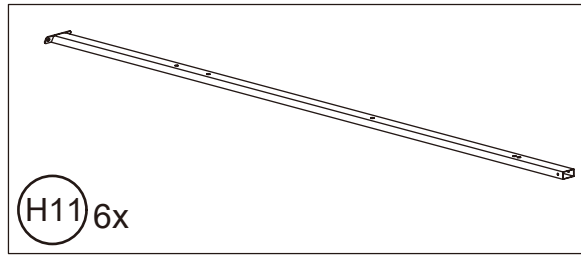
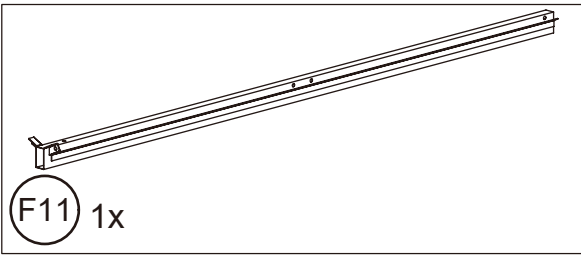
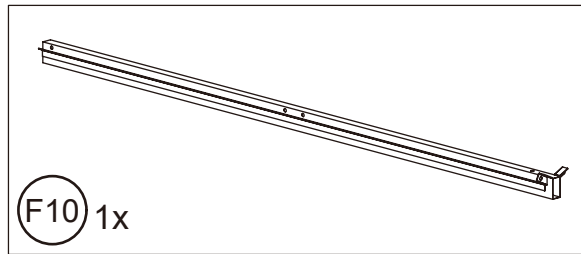
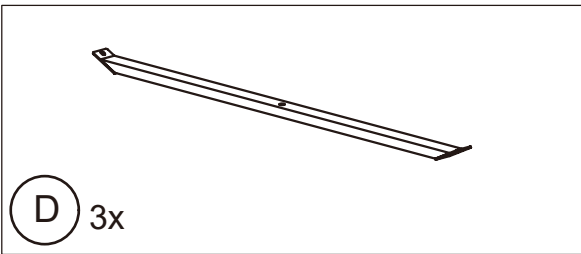
WH2 2x








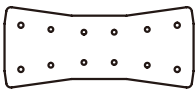
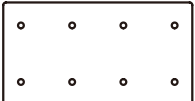
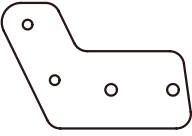
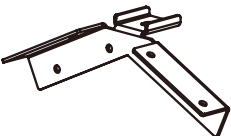
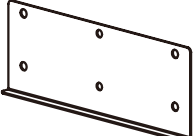
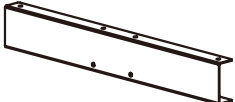

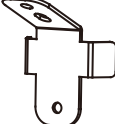
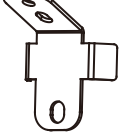








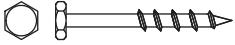




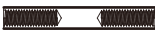




WH3 2x



WH4 2x



 P23 2x	 P24 2x	 J1 6x	 J2 2x
 J3 2x	 J4 4x	 J5 4x	 Q1 4x
 Q2 2x	 Q3 4x	 Q4 2x	 Q5 4x
 Q6 1x	 Q7 12x	 Q8 4x	 Q9 2x
 Q11 4x	 Y 48x	 Y2 64x	 M6x15 1 106x
 M6x12 2 12x	 M6x25 3 12x	 M5x30 4 76x	 M8x35 5 16x
 M10x80 6 8x	 M8x50 7 42x	 M8x55 8 2x	 M8x60 9 16x
 M10x170 10 8x	 Φ8*65 11 8x	 12 36x	 M8 13 60x



M10

⑭ 8x



M8

⑮ 136x



M10

⑯ 24x



Φ8\*180

⑰ 8x



⑱ 3x



M6x40

⑲ 36x



⑳ 2x



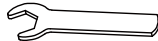
M6

㉑ 2x



M8

㉒ 2x



M10

㉓ 2x



M6

㉔ 1x



M8

㉕ 1x

<1>

WA1 4x



J4 4x

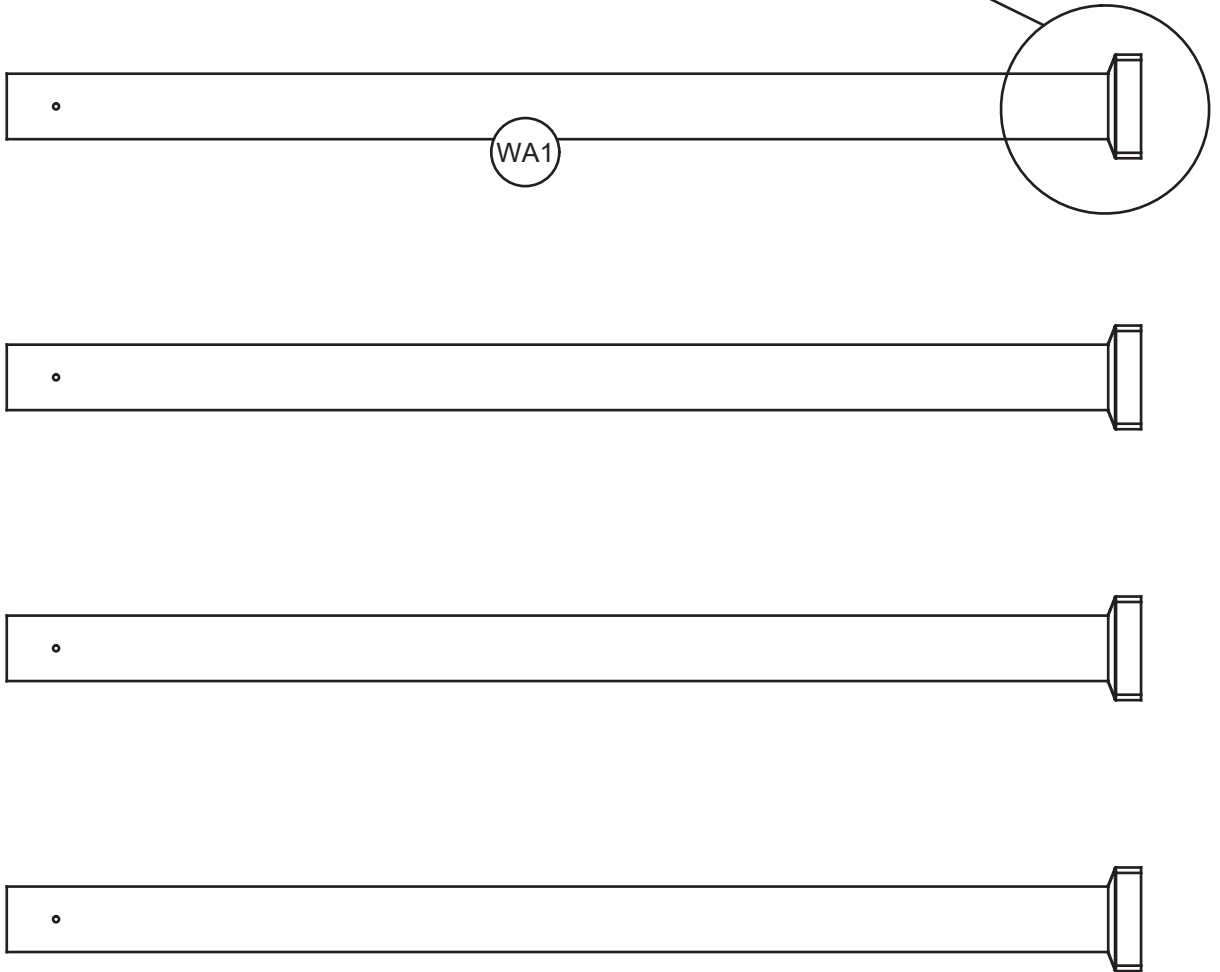
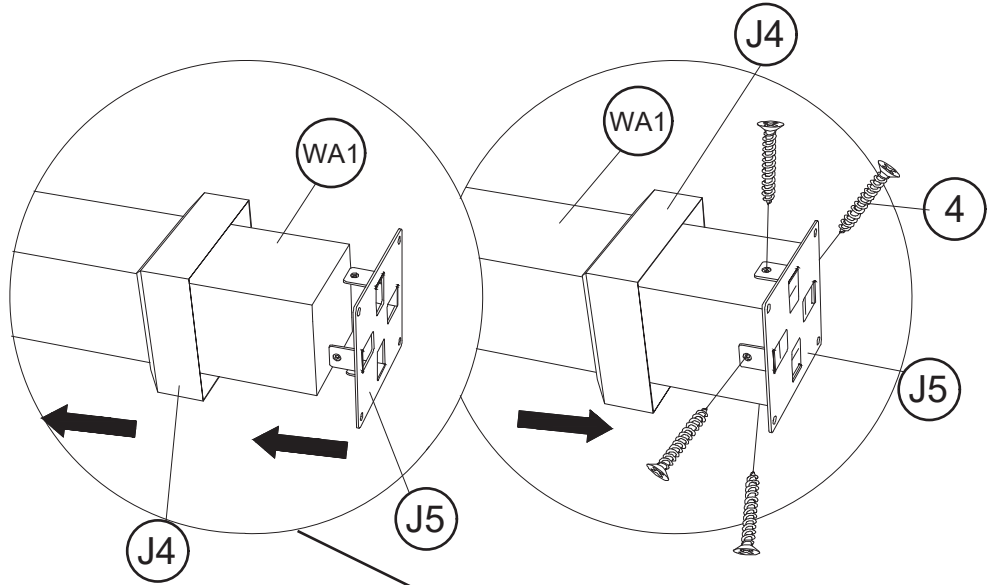


J5 4x



M5x30

4 16x



<2>



WB5 4x



WC5 4x



WC6 2x



Q1 4x



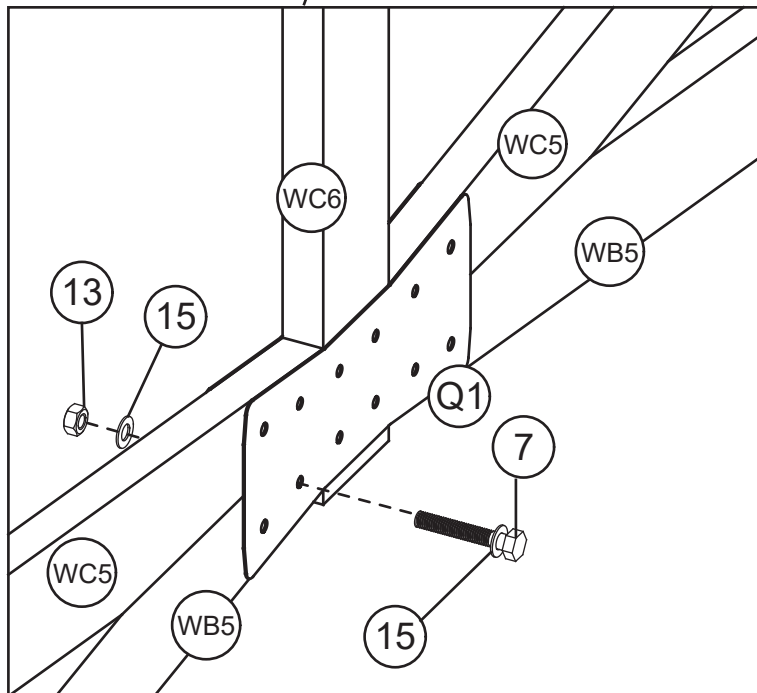
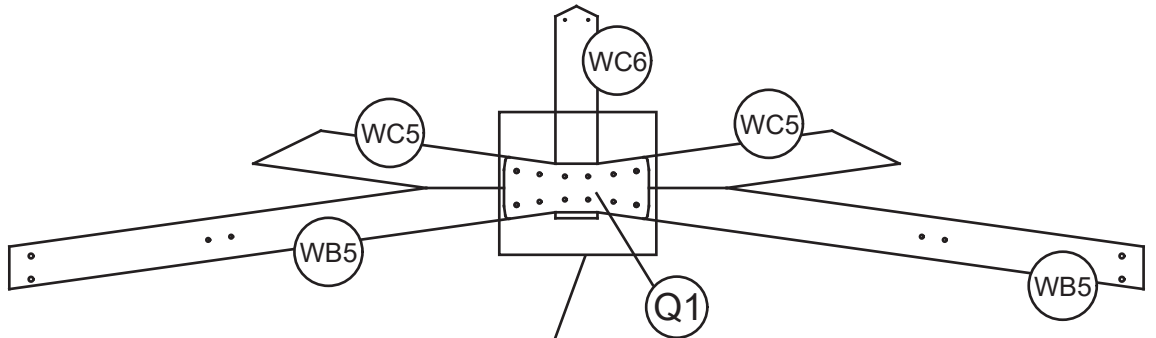
7 24x  
M8x50


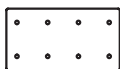
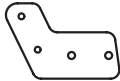

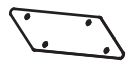
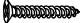
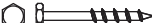








13 24x  
M8

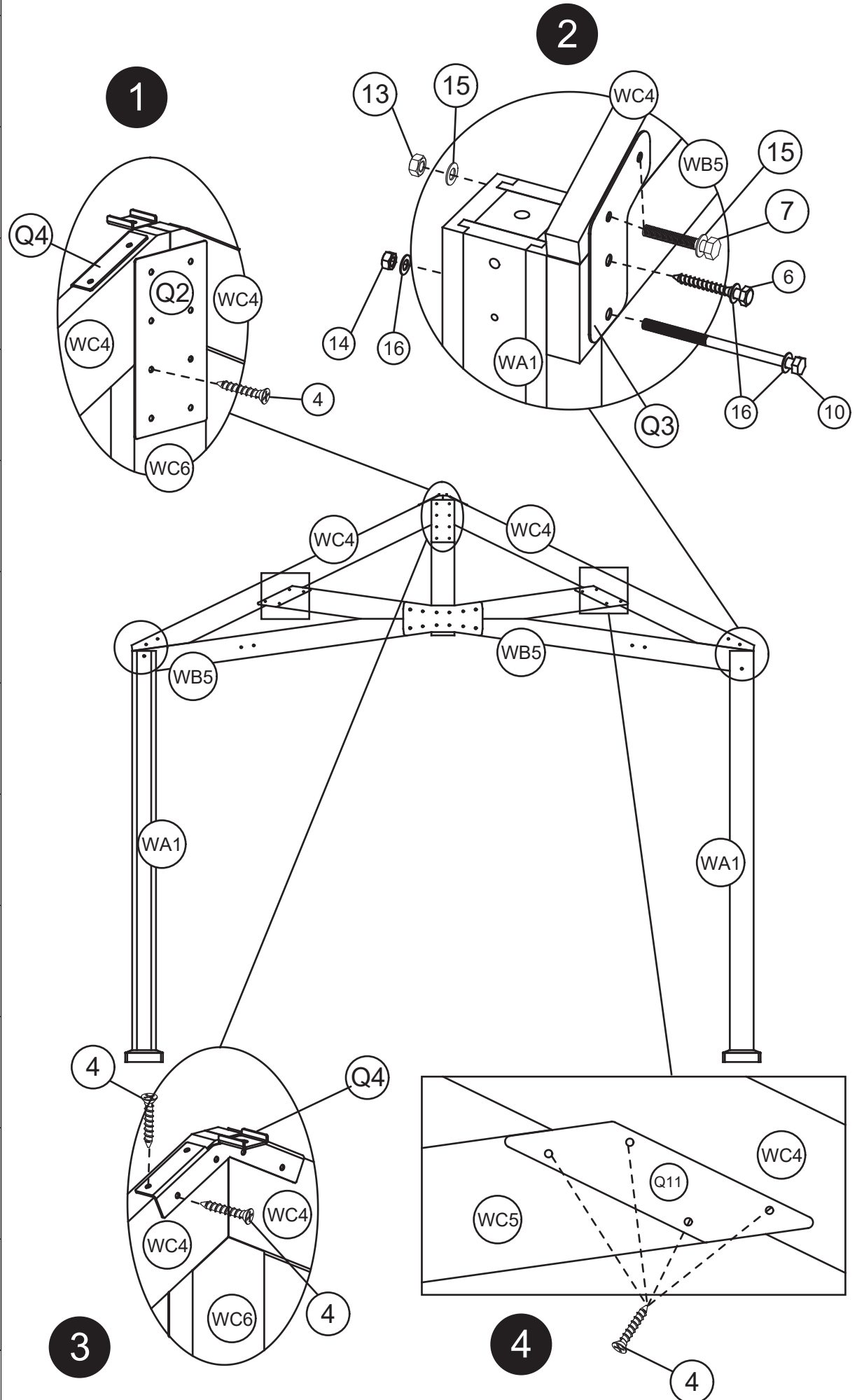



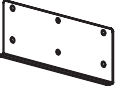
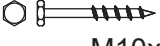

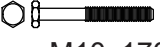




15 48x  
M8



-  WC4 4x
-  Q2 2x
-  Q3 4x
-  Q4 2x
-  Q11 4x
-  M5x30  
4 48x
-  M10x80  
6 4x
-  M8x50  
7 8x
-  M10x170  
10 4x
-  M8  
13 8x
-  M10  
14 4x
-  M8  
15 16x
-  M10  
16 12x

<3>

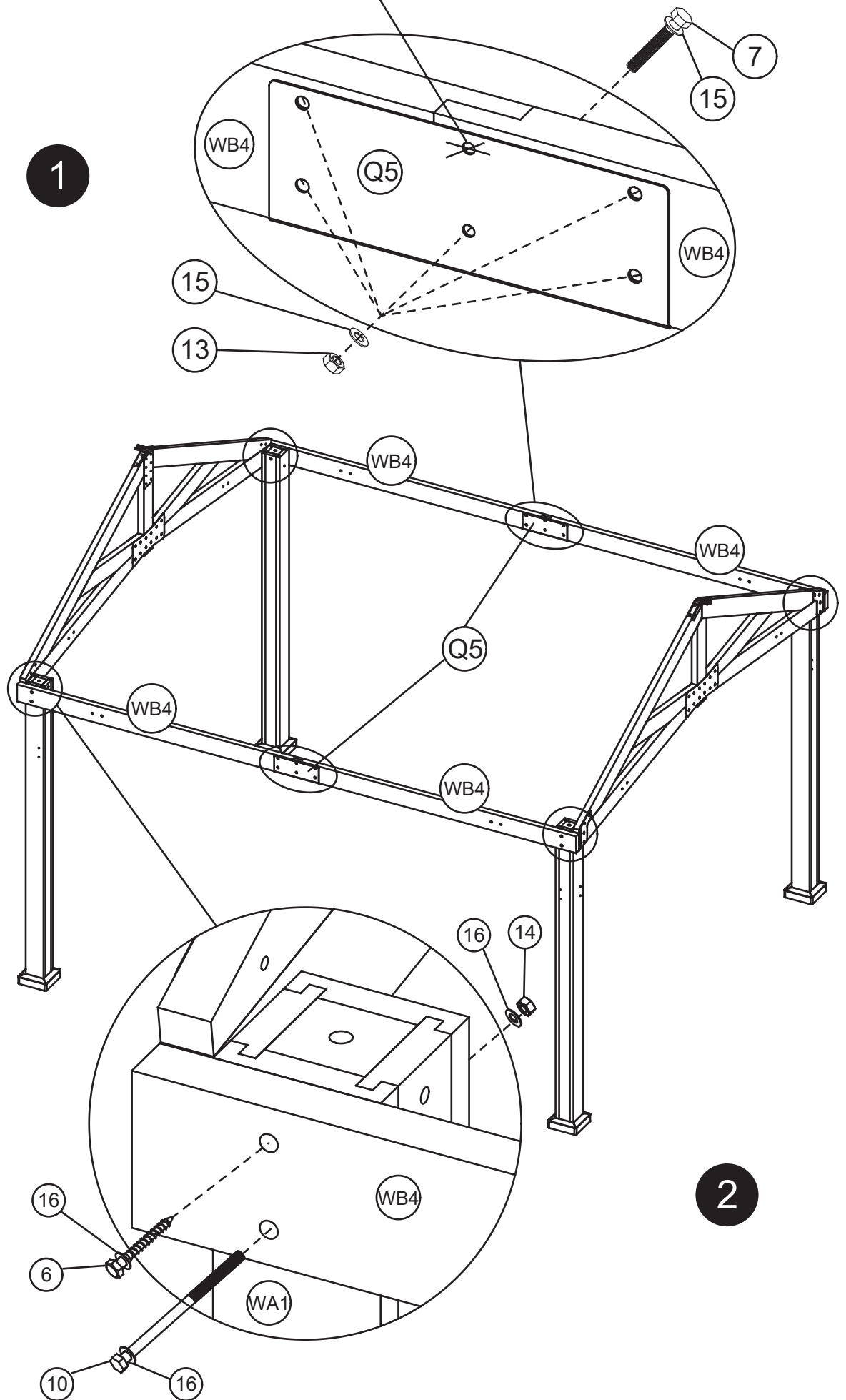


-  WB4 4x
-  Q5 4x
-  M10x80
-  M8x50
-  M10x170
-  M8
-  M10
-  M8
-  M10

<4>

Do not screw here at this step.

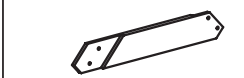
1



2



WH1 2x



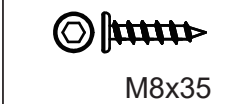
WH2 2x



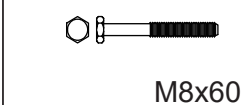
WH3 2x



WH4 2x



5 16x



9 16x



13 16x

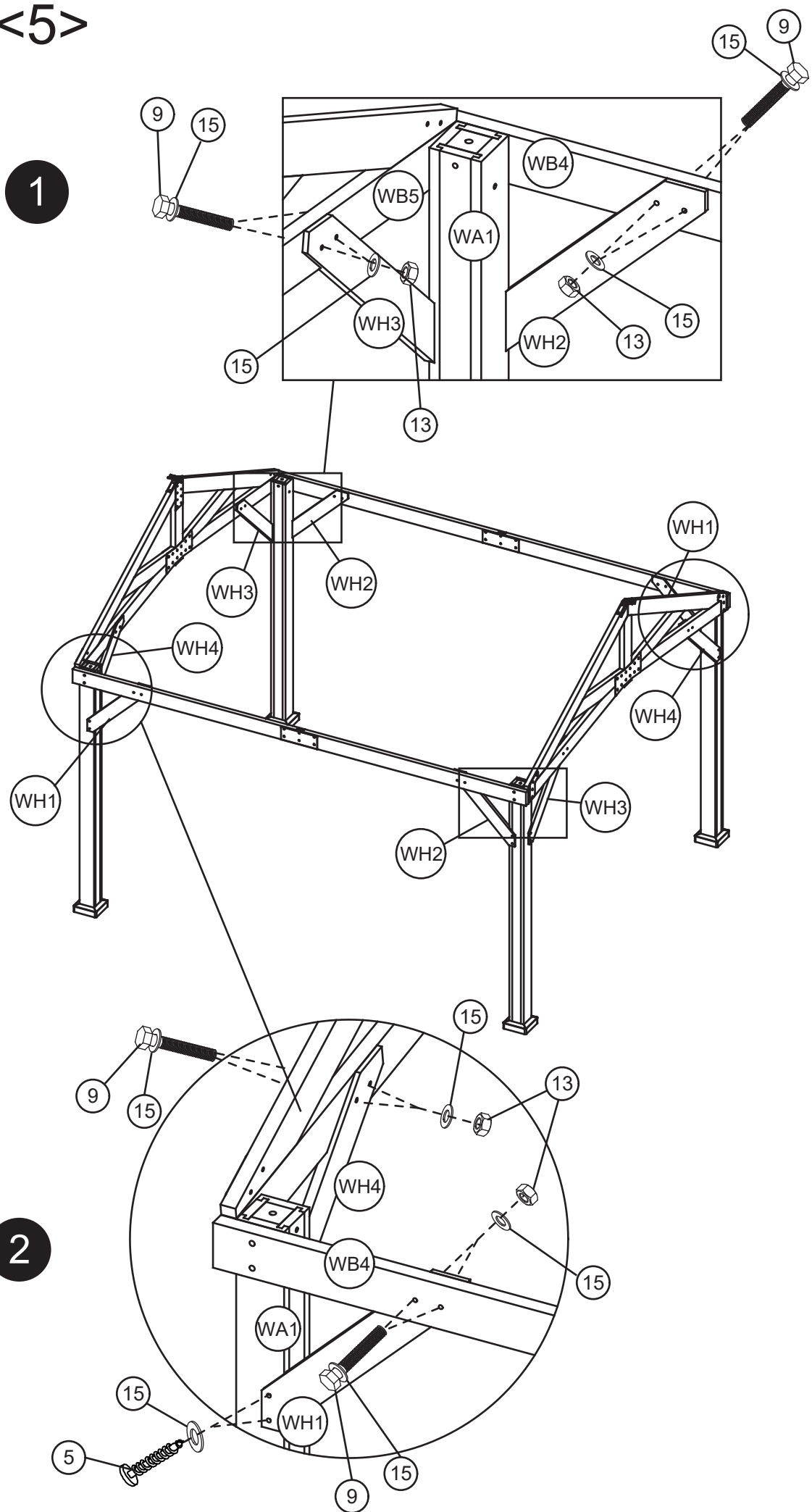


15 48x

<5>

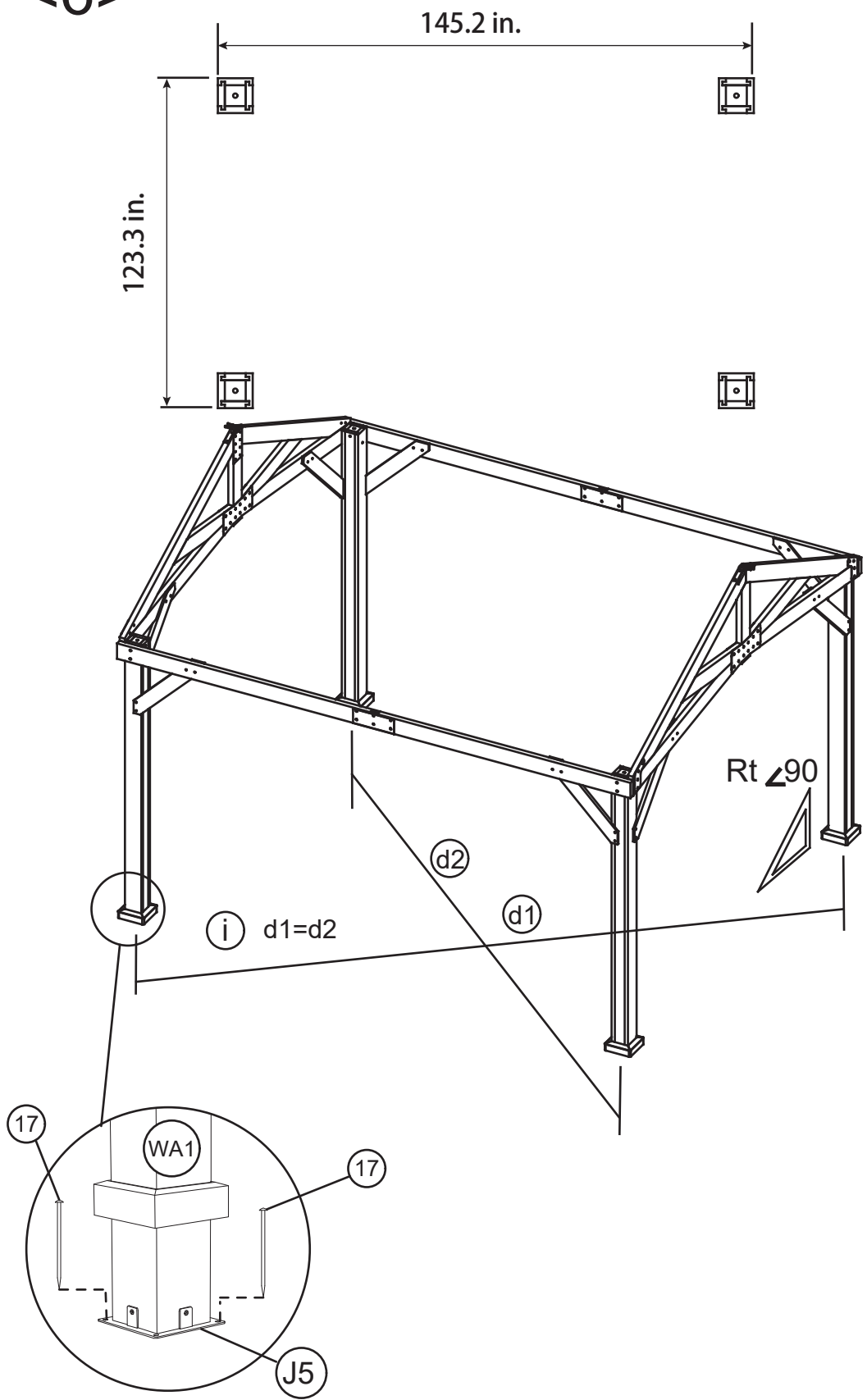
1

2



Φ8\*180  
 (17) 8x

<6>



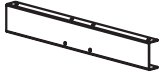
Tips: Please measure to make sure the length of d1 is equal to d2 before moving to next step to ensure a square frame and best results. Otherwise, please loosen the "WH1" or "WH2" or "WH3" or "WH4" screws and adjust them. Keep the beam at right angles to the post, the post at right angles to the ground, and keep the beam horizontal.



F10 1x



F11 1x



Q6 1x

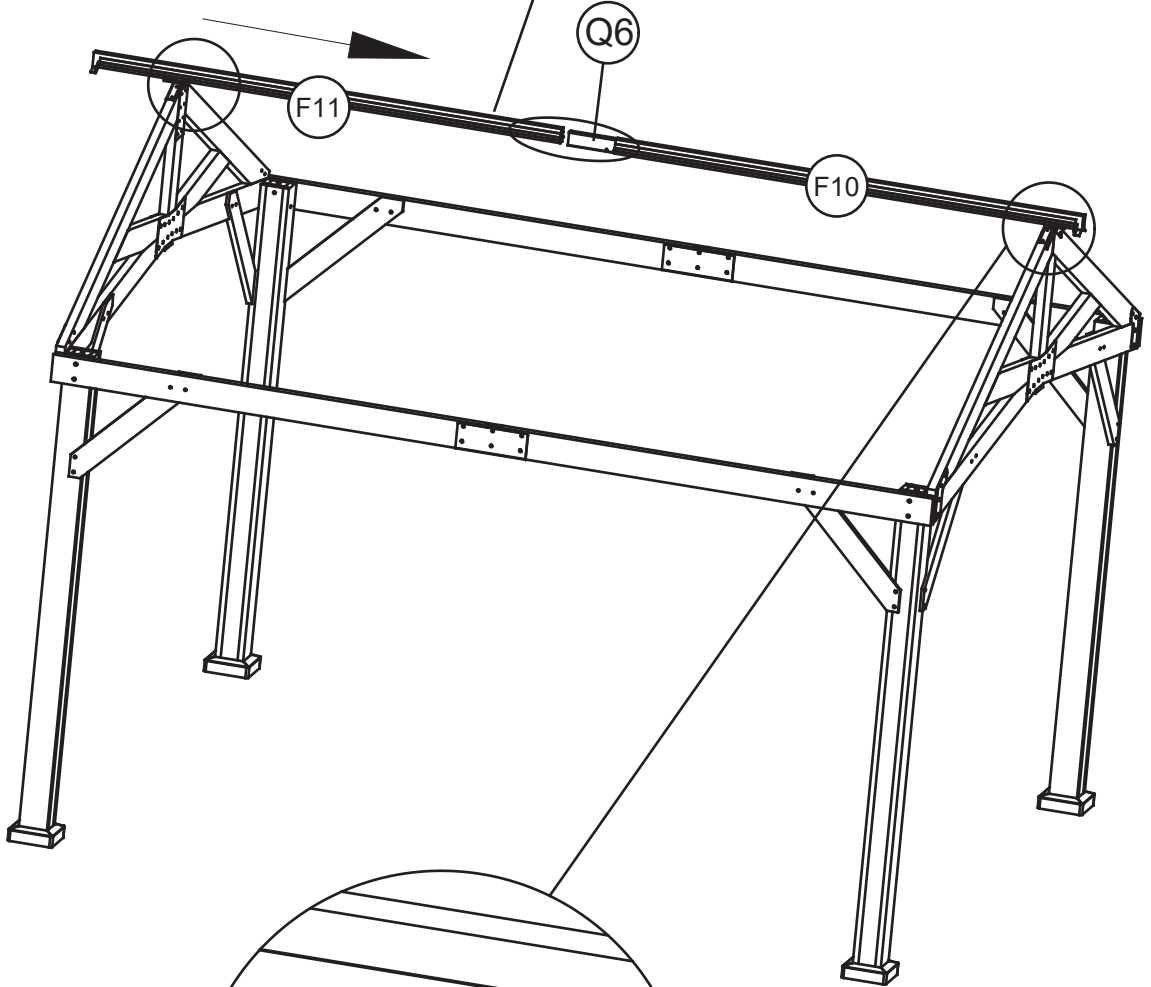
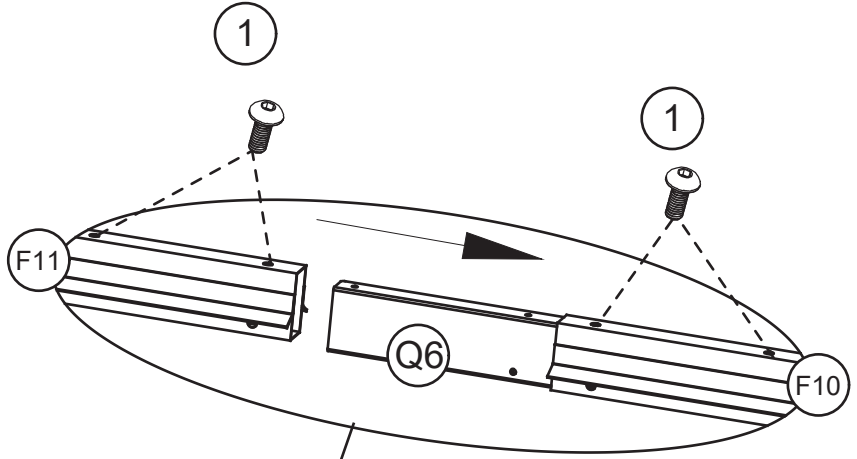


M6x15

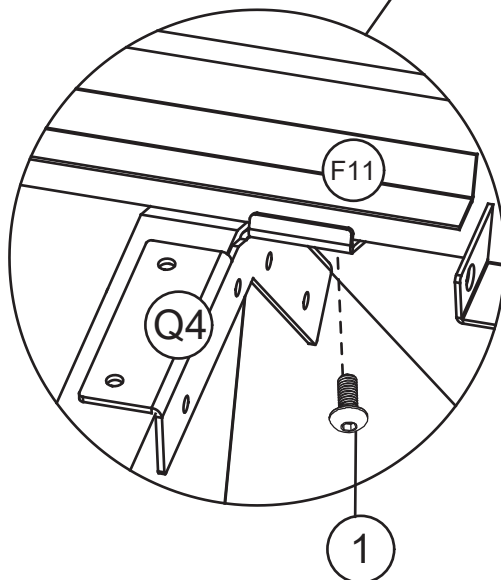
1 6x

<7>

1



2

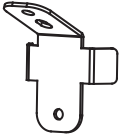




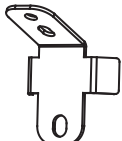
H11 6x



Q7 12x



Q8 4x



Q9 2x



M6x15

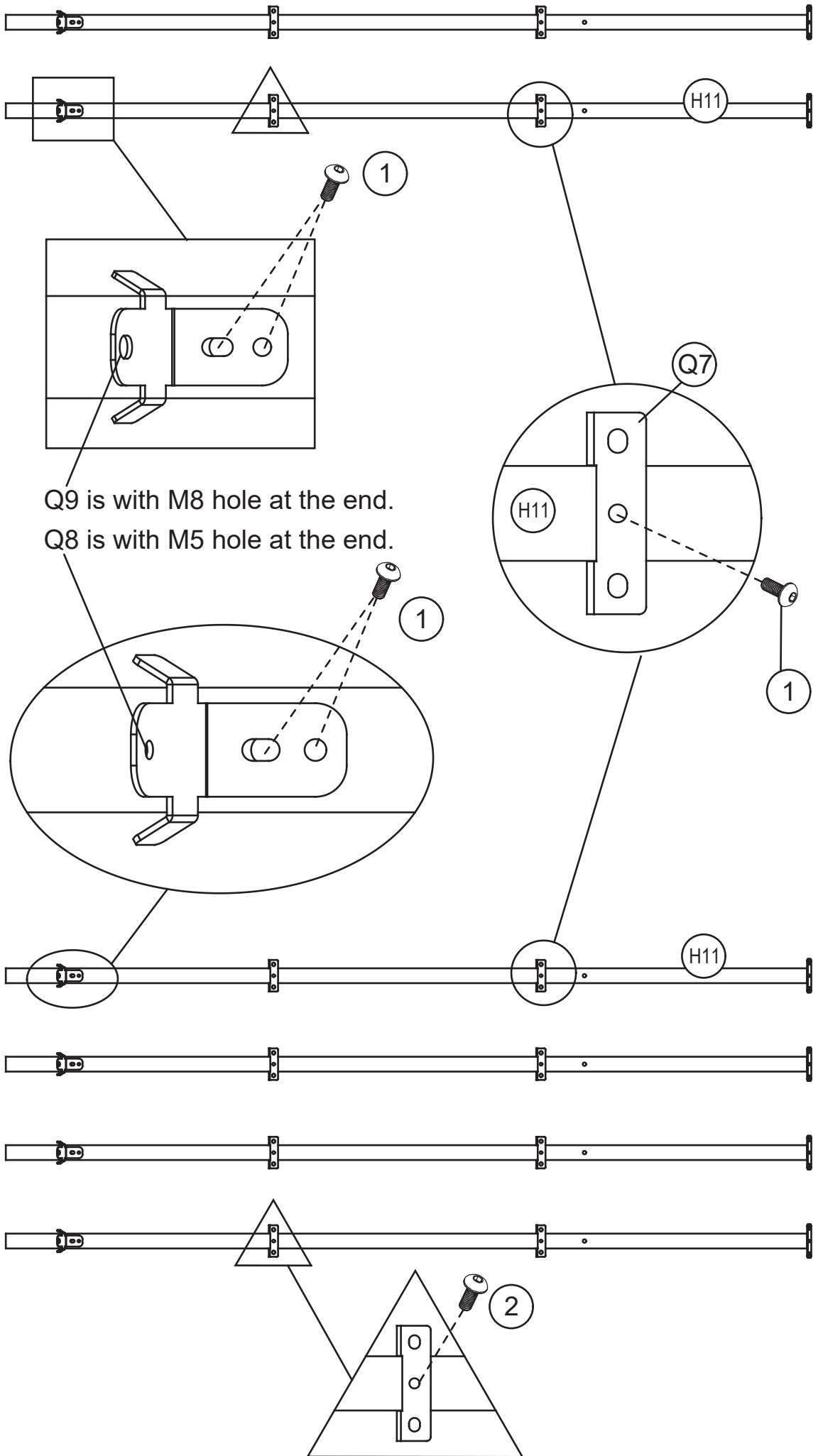
1 12x



M6x12

2 12x

<8>





M6x15

1 12x



M8x55

8 2x



M8

13 2x

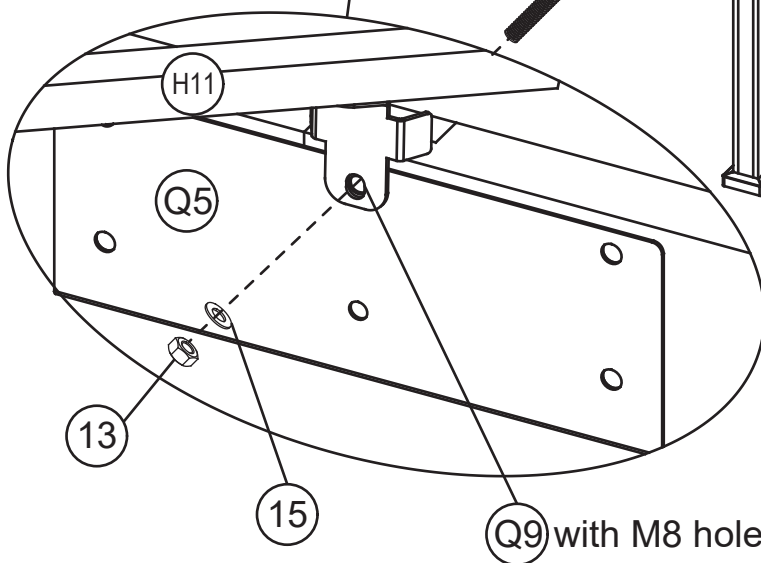
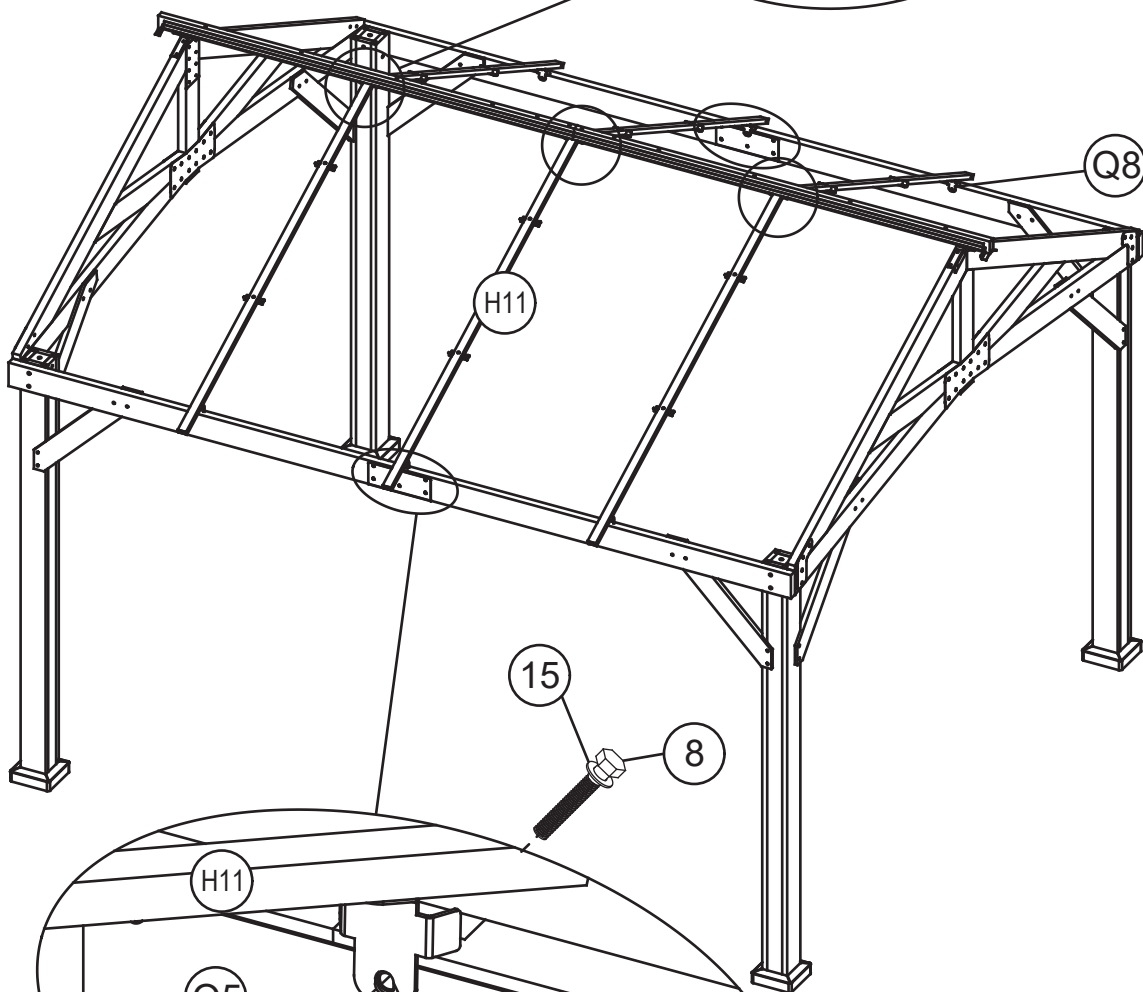
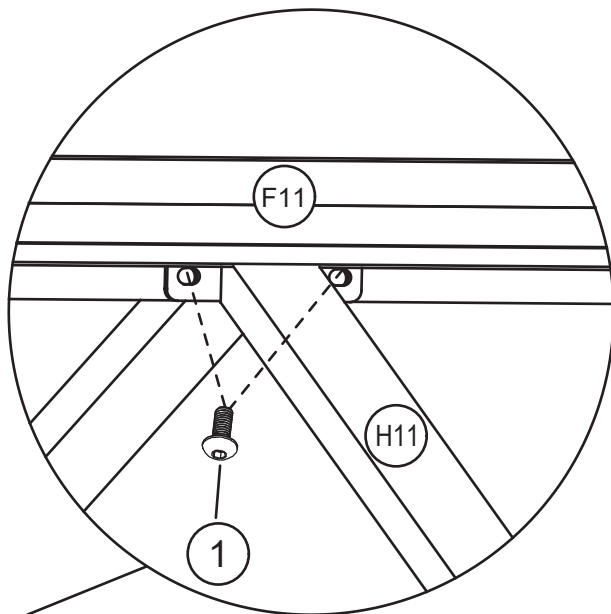


M8

15 4x

<9>

1



2

Q9 with M8 hole at the end.

Tips:

ONLY get Q9 screwed at this step, Q9 is with M8 hole at the end. Leave Q8 unscrewed, otherwise beams can't get well matched for assembly at following steps 11 & 12.

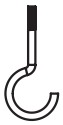


(D) 3x



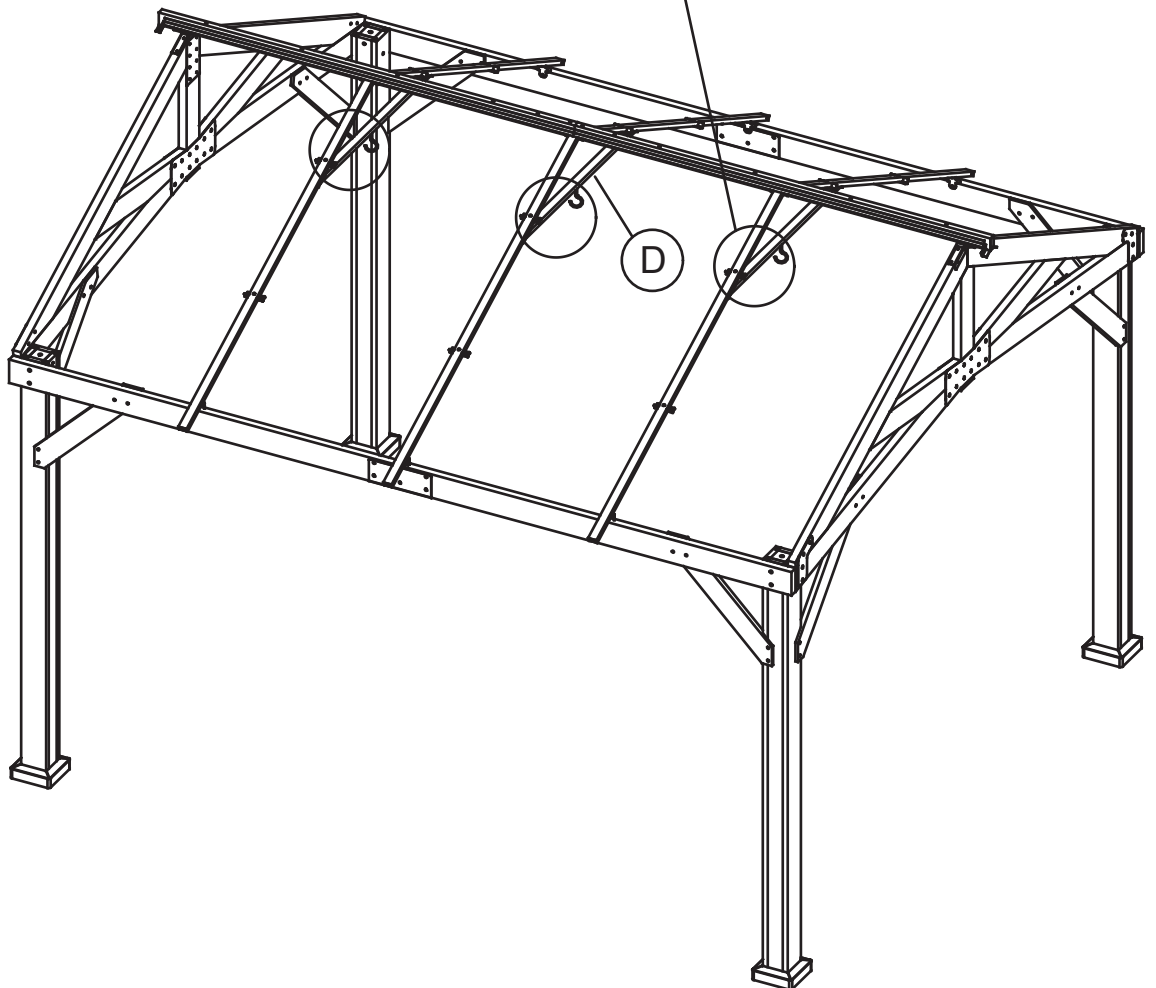
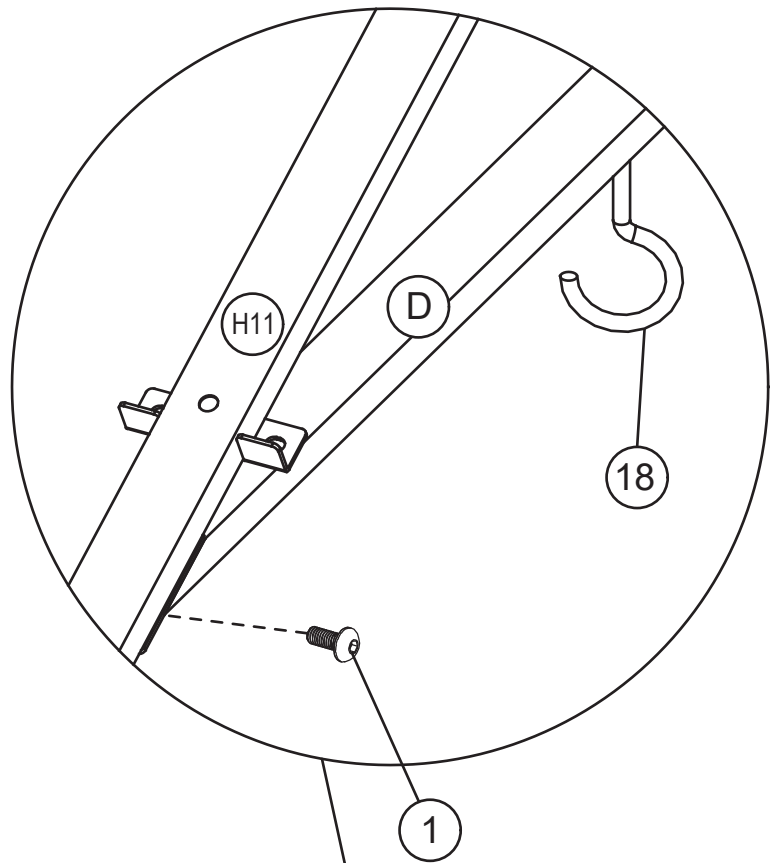
M6x15

(1) 6x



(18) 3x

<10>



<11>



N20 4x



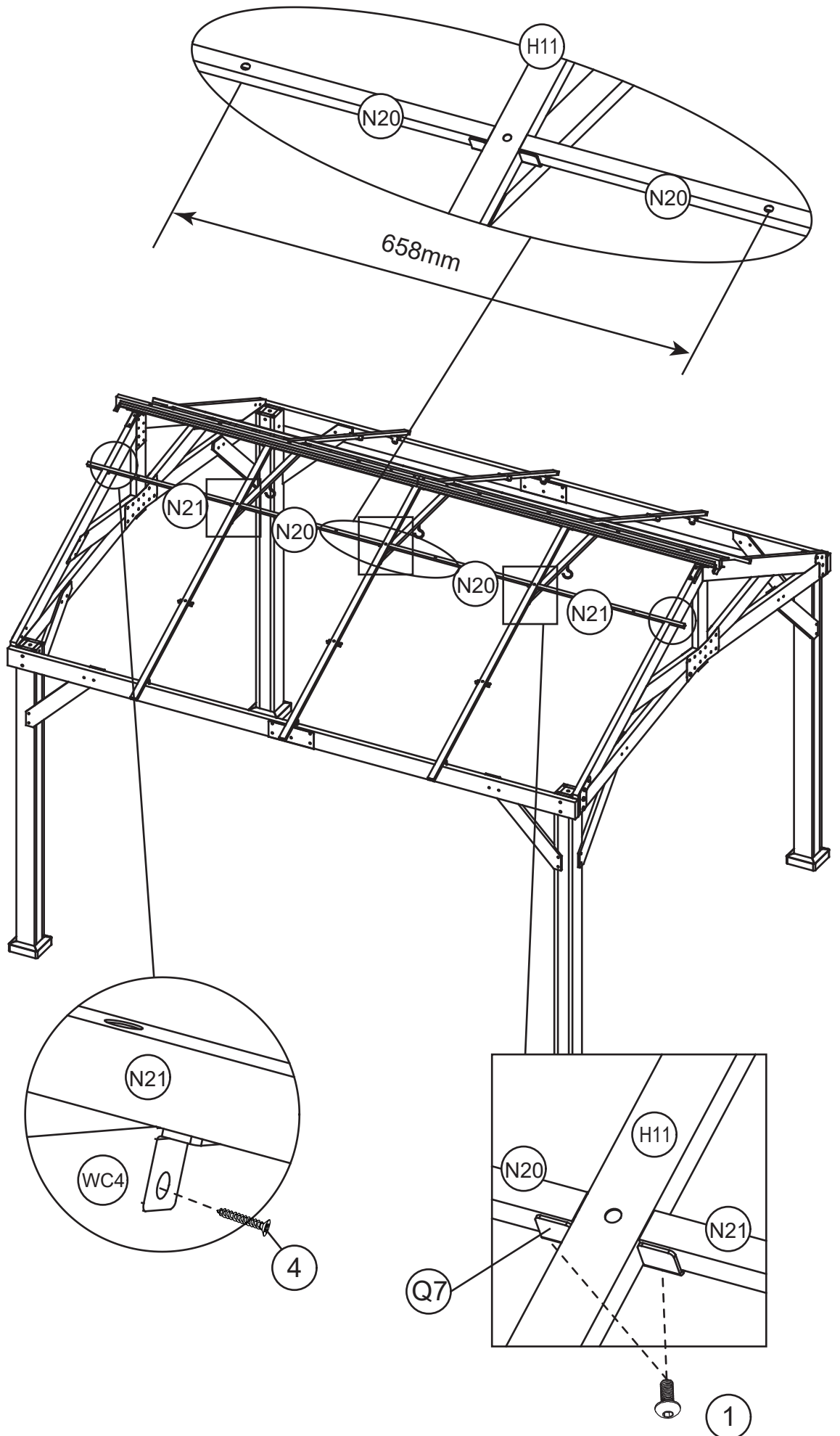
N21 4x



1 12x



4 4x



<12>



N22 4x



N23 4x



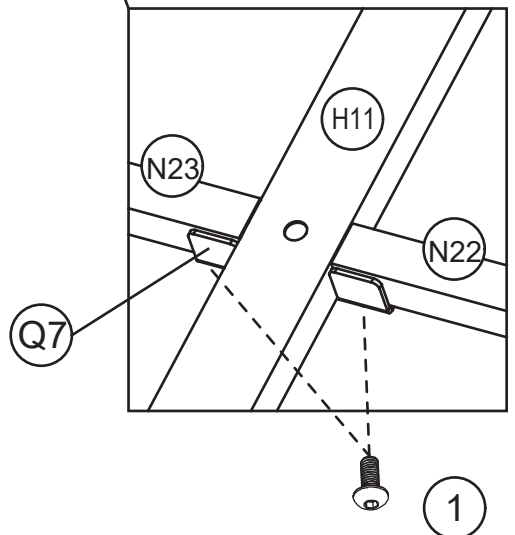
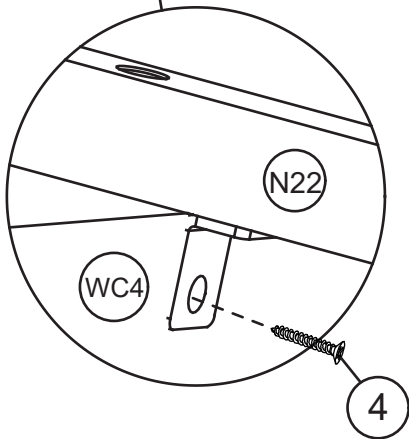
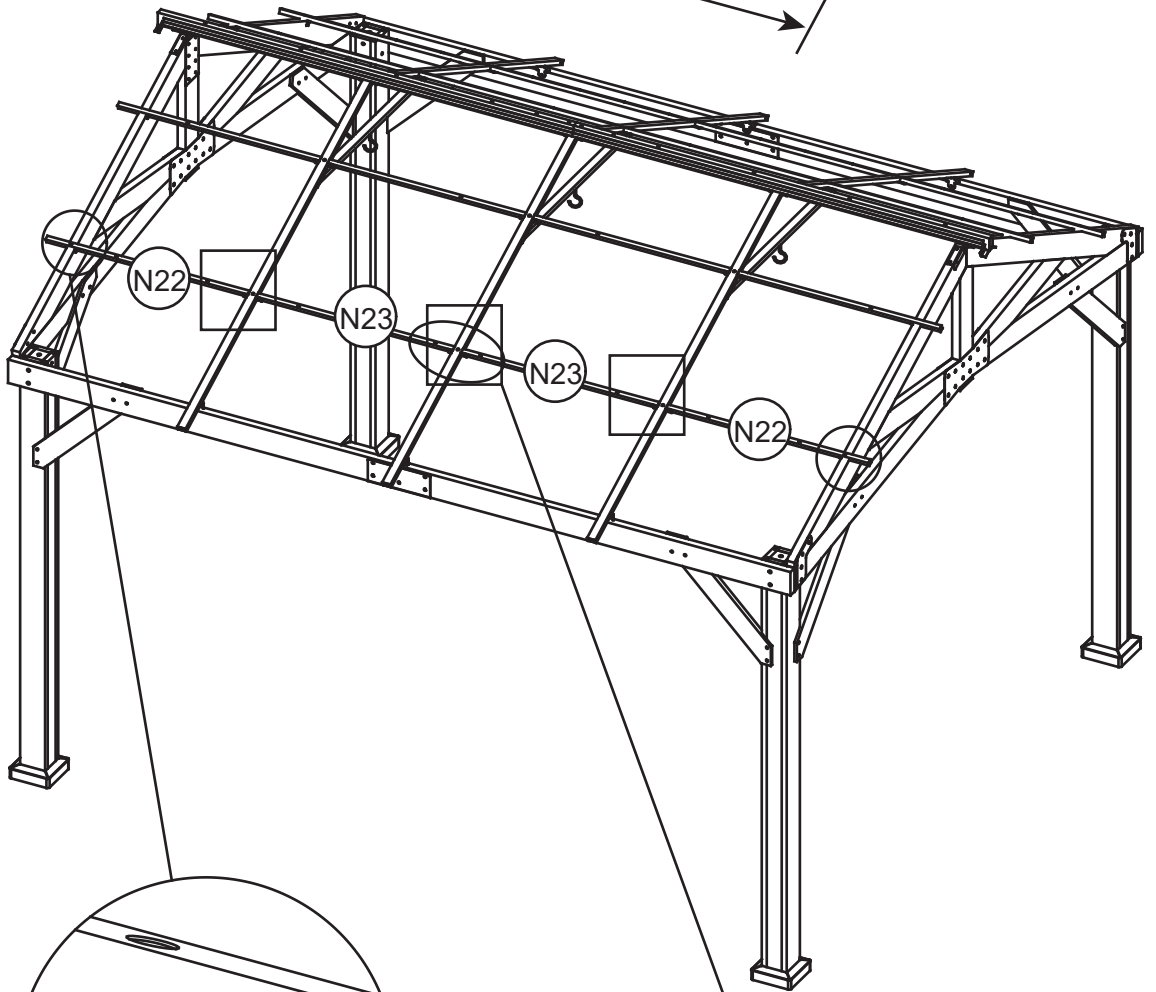
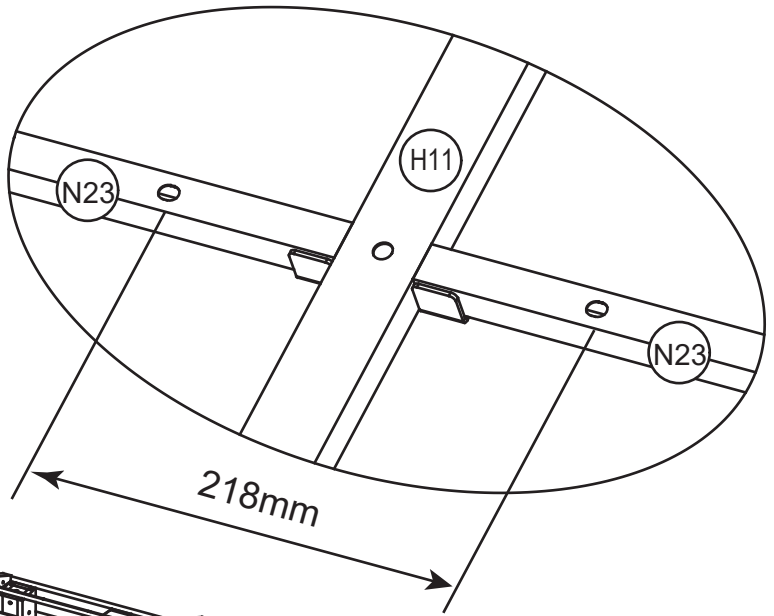
M6x15

1 12x



M5x30

4 4x



# <13>



M10 2x



M11 2x



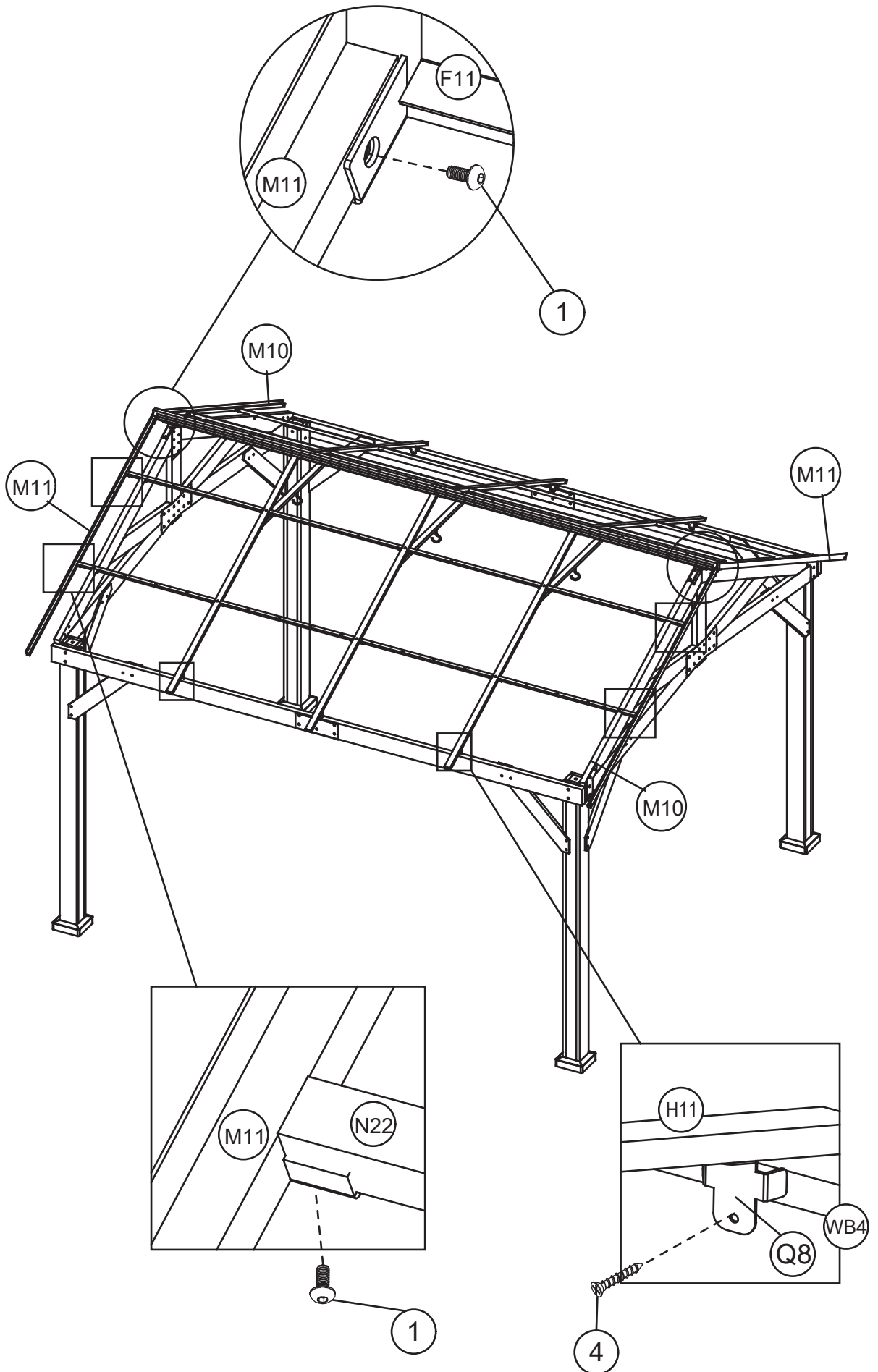
M6x15

1 12x



M5x30

4 4x



# <14>



L10 4x



L11 4x



J1 6x



J2 2x

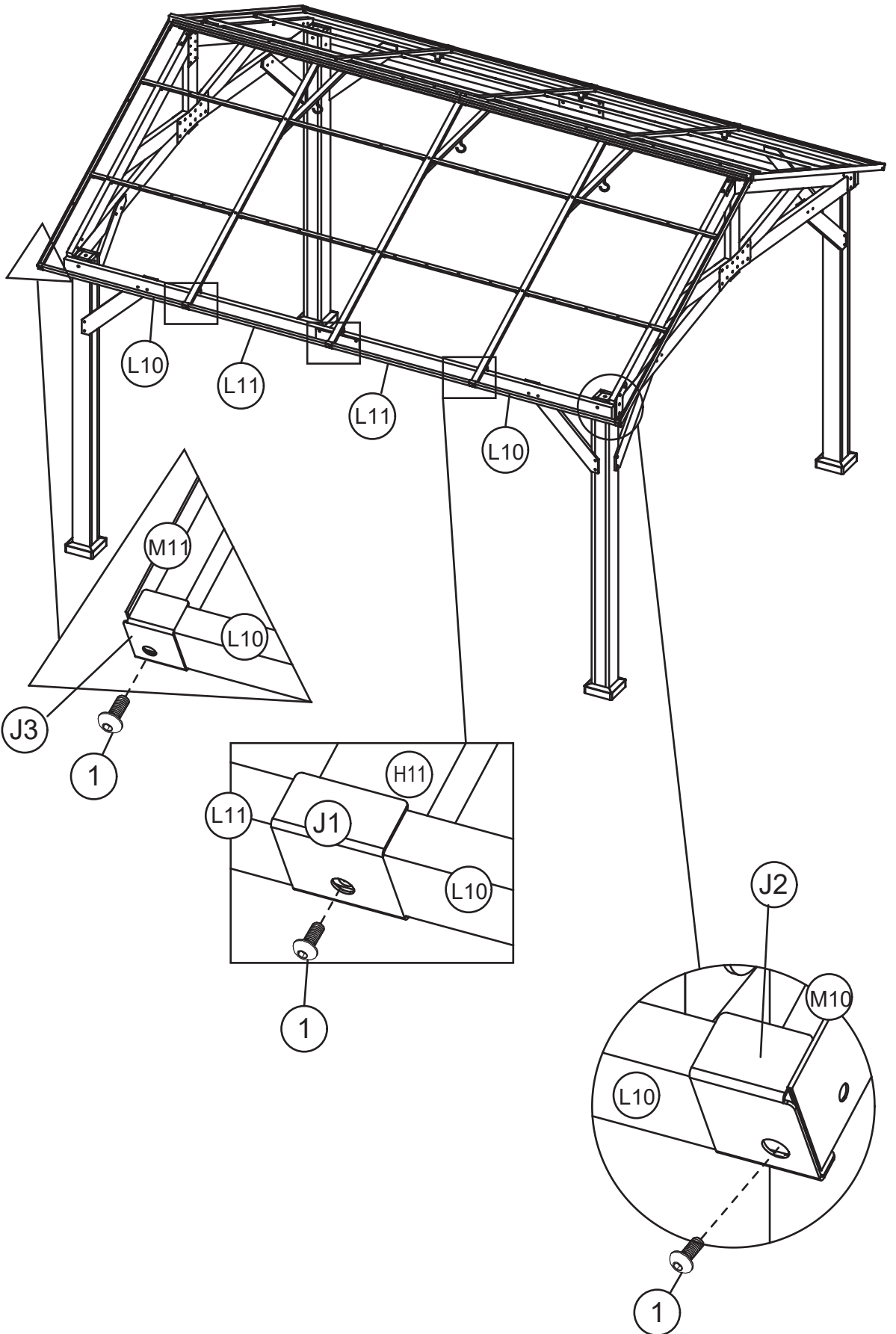


J3 2x



M6x15

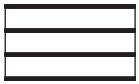
1 10x



<15>



(P7) 10x



(P20) 10x



(P21) 2x



(P22) 2x



(P23) 2x



(P24) 2x



(Y) 48x



(Y2) 48x



M6x25

(3) 12x



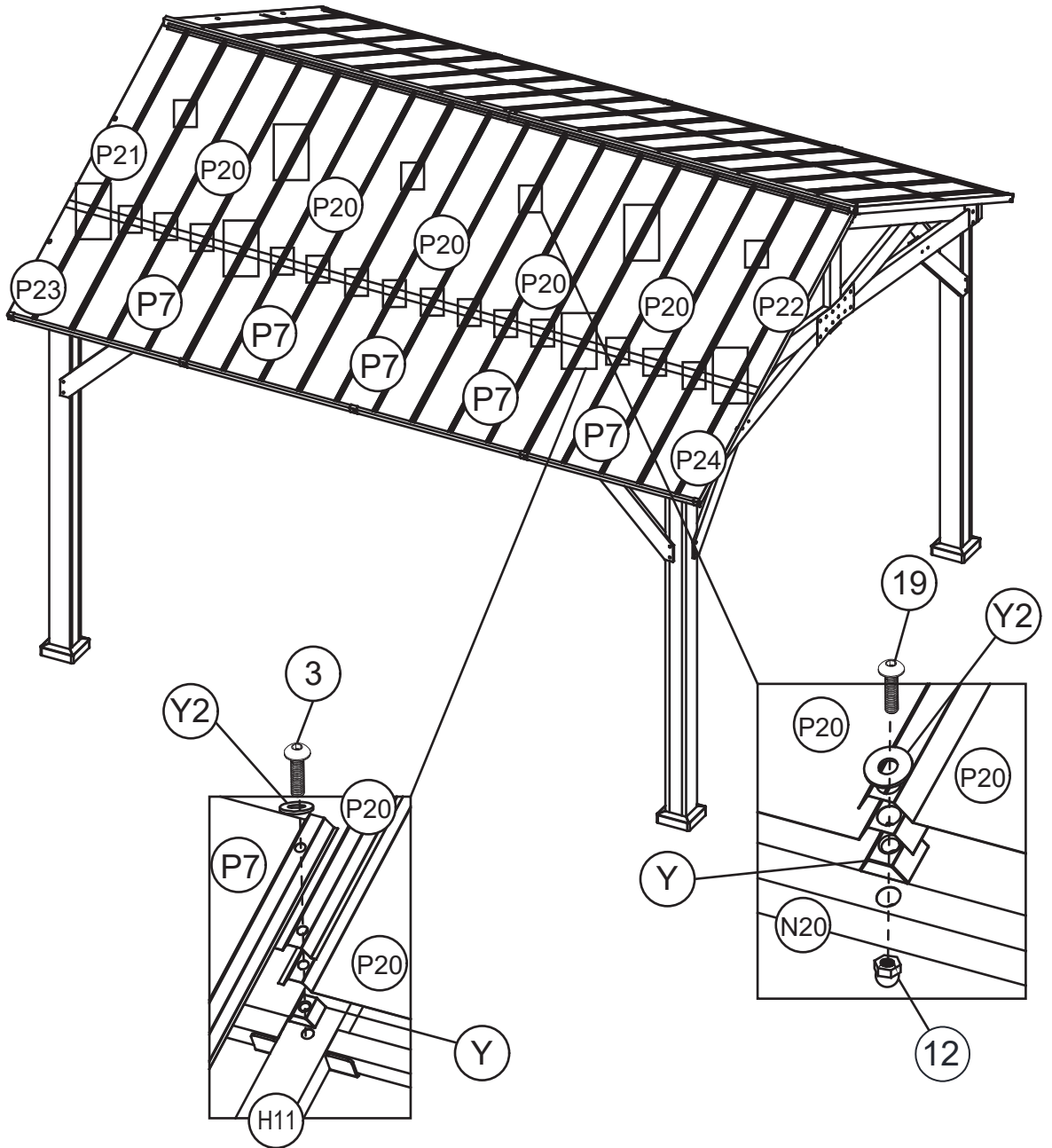
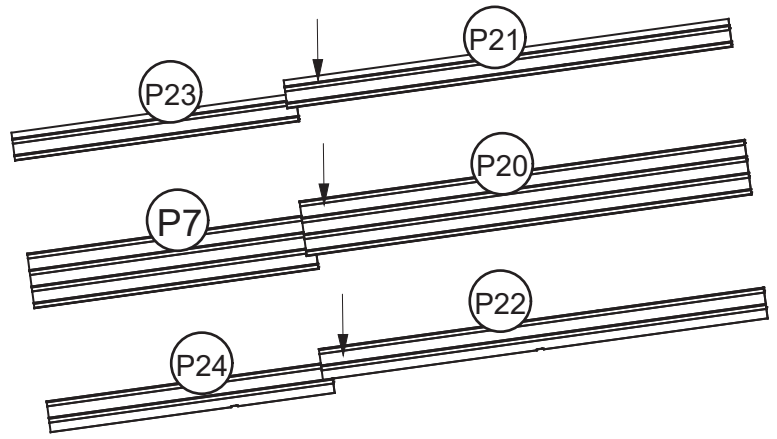
(12) 36x



M6x40

(19) 36x

24



<16>



(R1) 2x



(R5) 1x

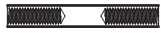


(Y2) 8x



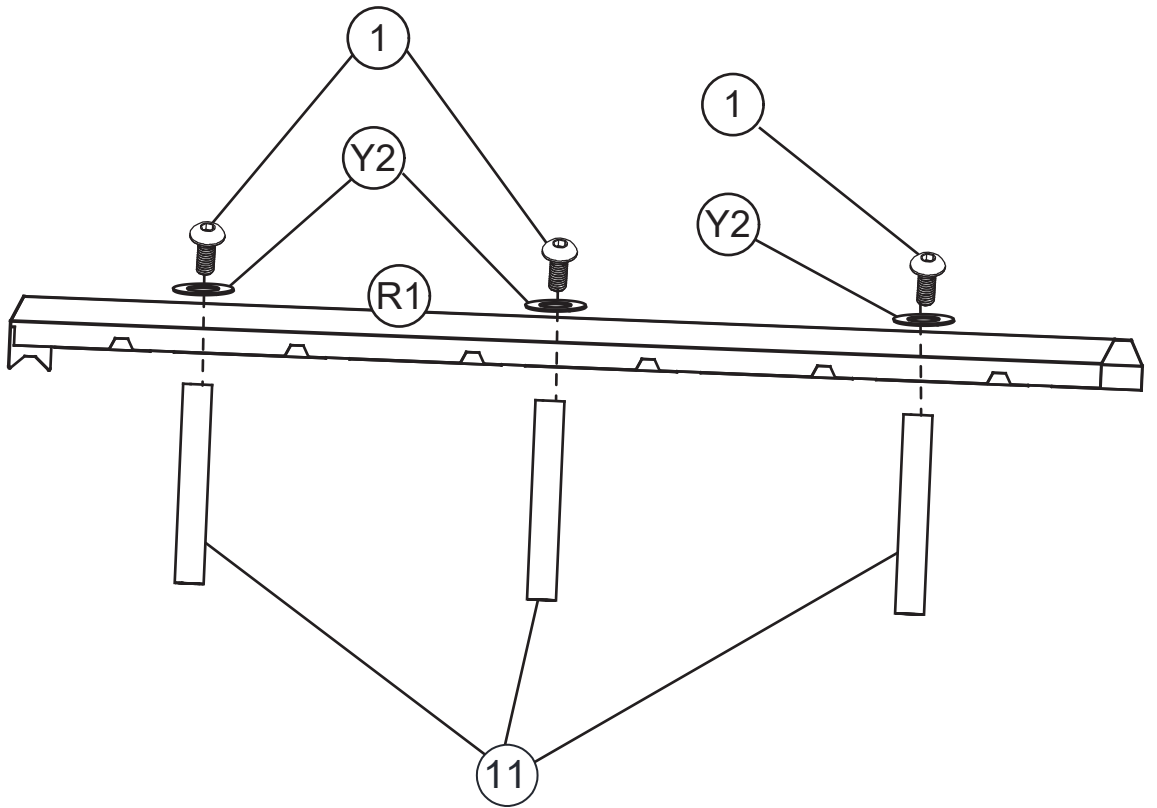
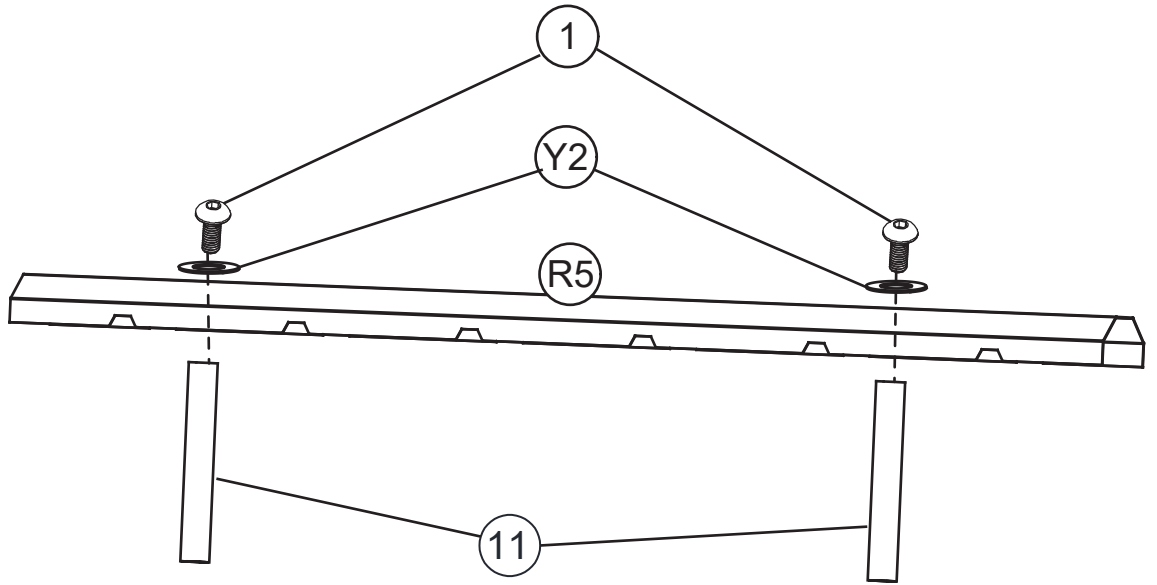
M6x15

(1) 8x



Φ8\*65

(11) 8x

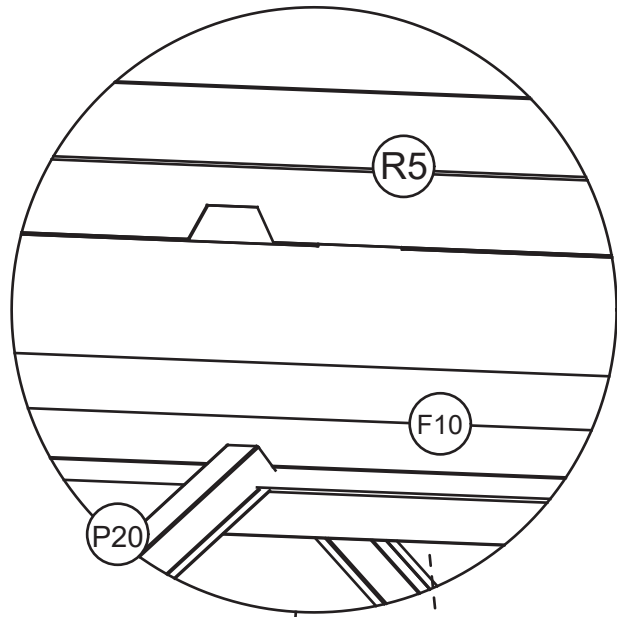




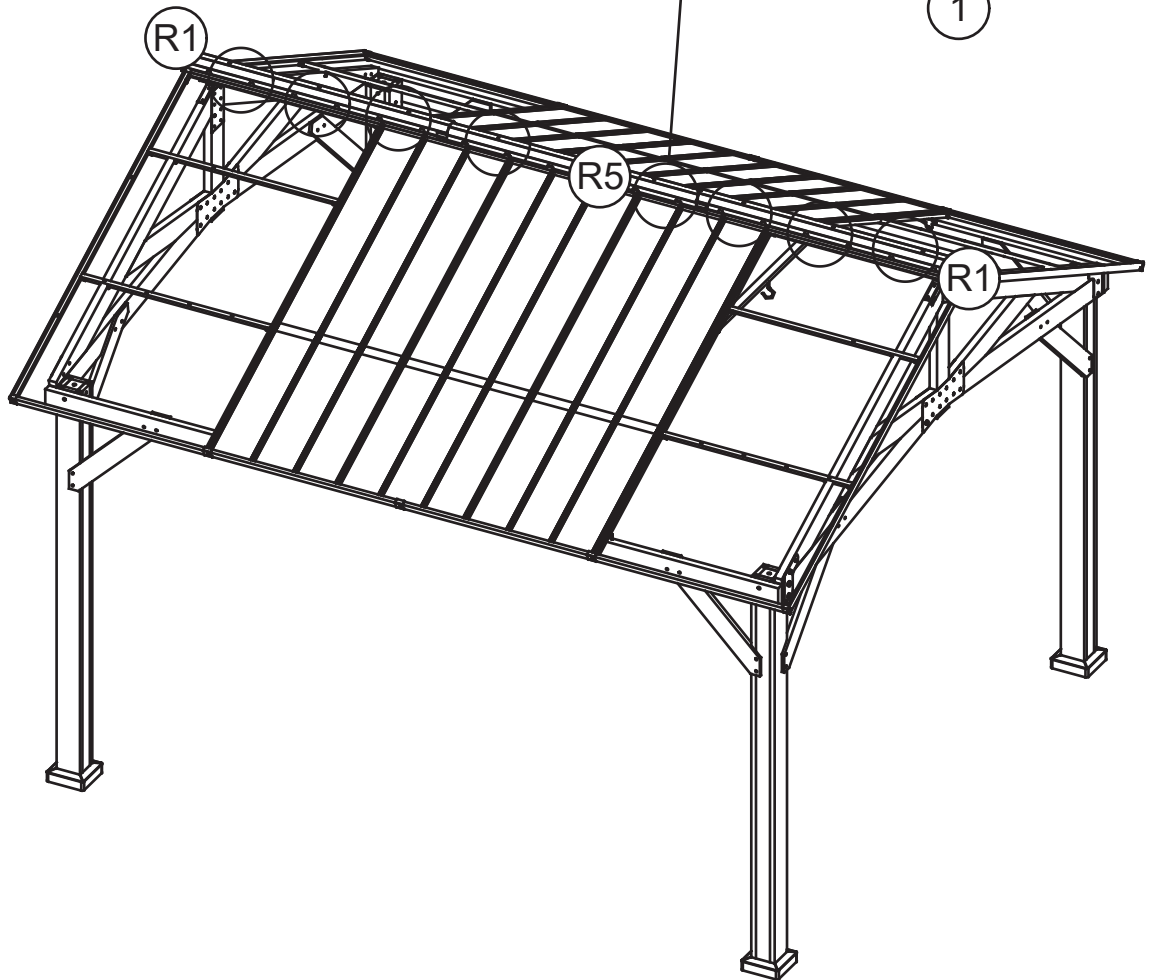
M6x15

1 8x

<17>



1



<18>

U 4x



Y2 8x



M6x15

1 8x

