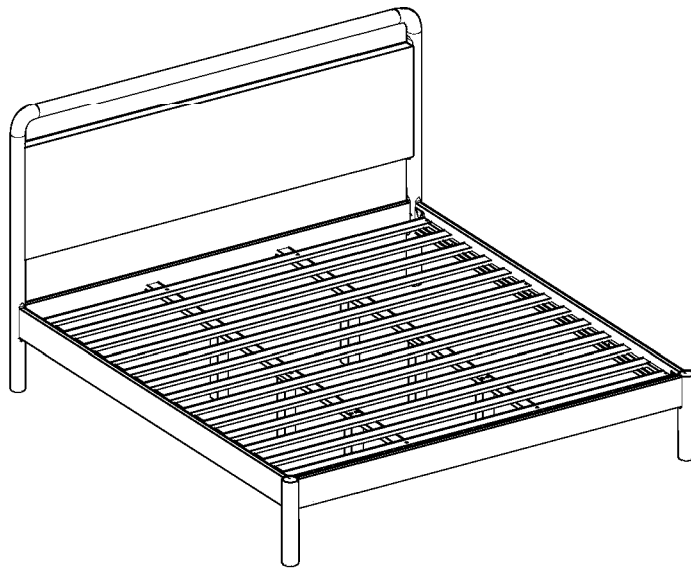
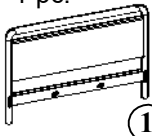

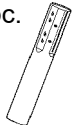


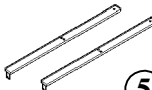
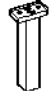

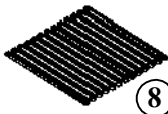


ASSEMBLY INSTRUCTIONS






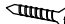
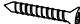
MODEL : BD826-FS



COMPONENT

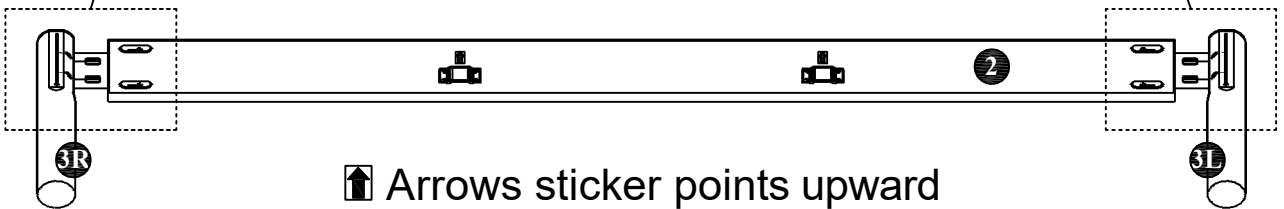
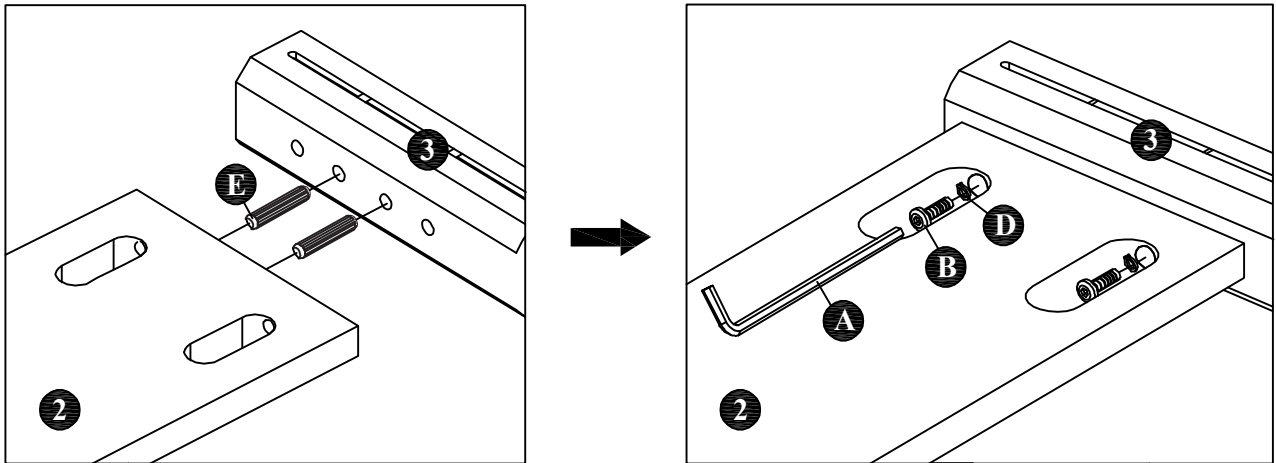
<p>Headboard - 1 pc.</p>  <p>①</p>	<p>Footboard - 1 pc.</p>  <p>②</p>	<p>Footboard Leg (Left) - 1 pc.</p>  <p>③L</p>	<p>Footboard Leg (Right) - 1 pc.</p>  <p>③R</p>	<p>Side Rail - 2 pcs.</p>  <p>④</p>	<p>Center Rail - 4 pcs.</p>  <p>⑤</p>	<p>Center Leg (Middle) - 2 pcs.</p>  <p>⑥</p>	<p>Center Leg - 4 pcs.</p>  <p>⑦</p>
<p>Slats - 13 pcs.(1set)</p>  <p>⑧</p>							

HARDWARE

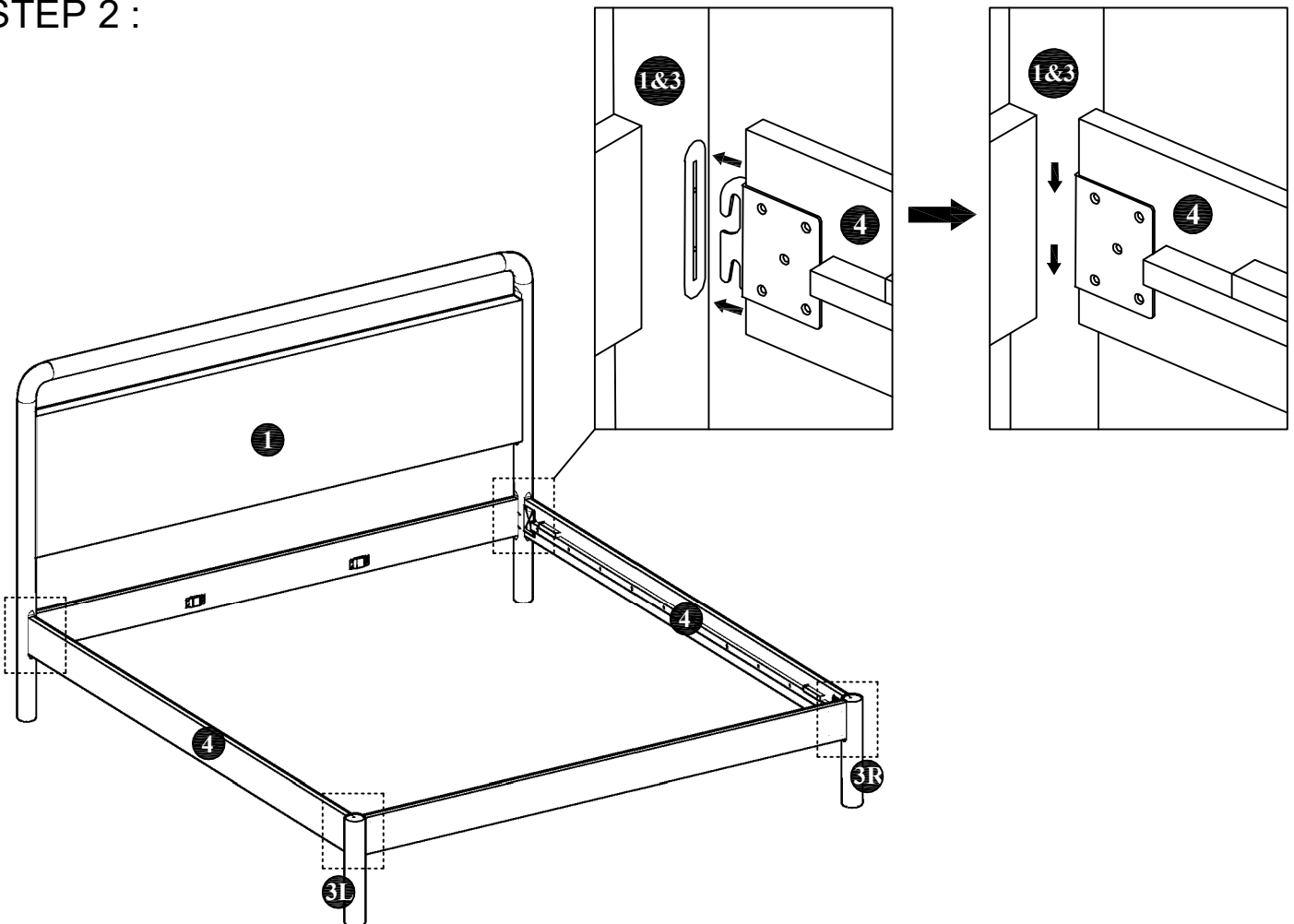
<p>Allen Key M4 (Long Ball Head) - 1 pc.</p>  <p>Ⓐ</p>	<p>JCBC Bolt M6 x 40mm - 12 pcs.</p>  <p>Ⓑ</p>	<p>JCBC Bolt M6 x 35mm - 4 pcs.</p>  <p>Ⓒ</p>	<p>M6 Spring Washer - 4 pcs.</p>  <p>Ⓓ</p>	<p>Wood Dowel M8 x 30mm - 4 pcs.</p>  <p>Ⓔ</p>	<p>Wood Screw M3.5 x 16mm - 4 pcs.</p>  <p>Ⓕ</p>	<p>Wood Screw M4 x 25mm - 10 pcs.</p>  <p>Ⓖ</p>
--	---	--	---	---	---	--

ASSEMBLY INSTRUCTIONS

STEP 1 :

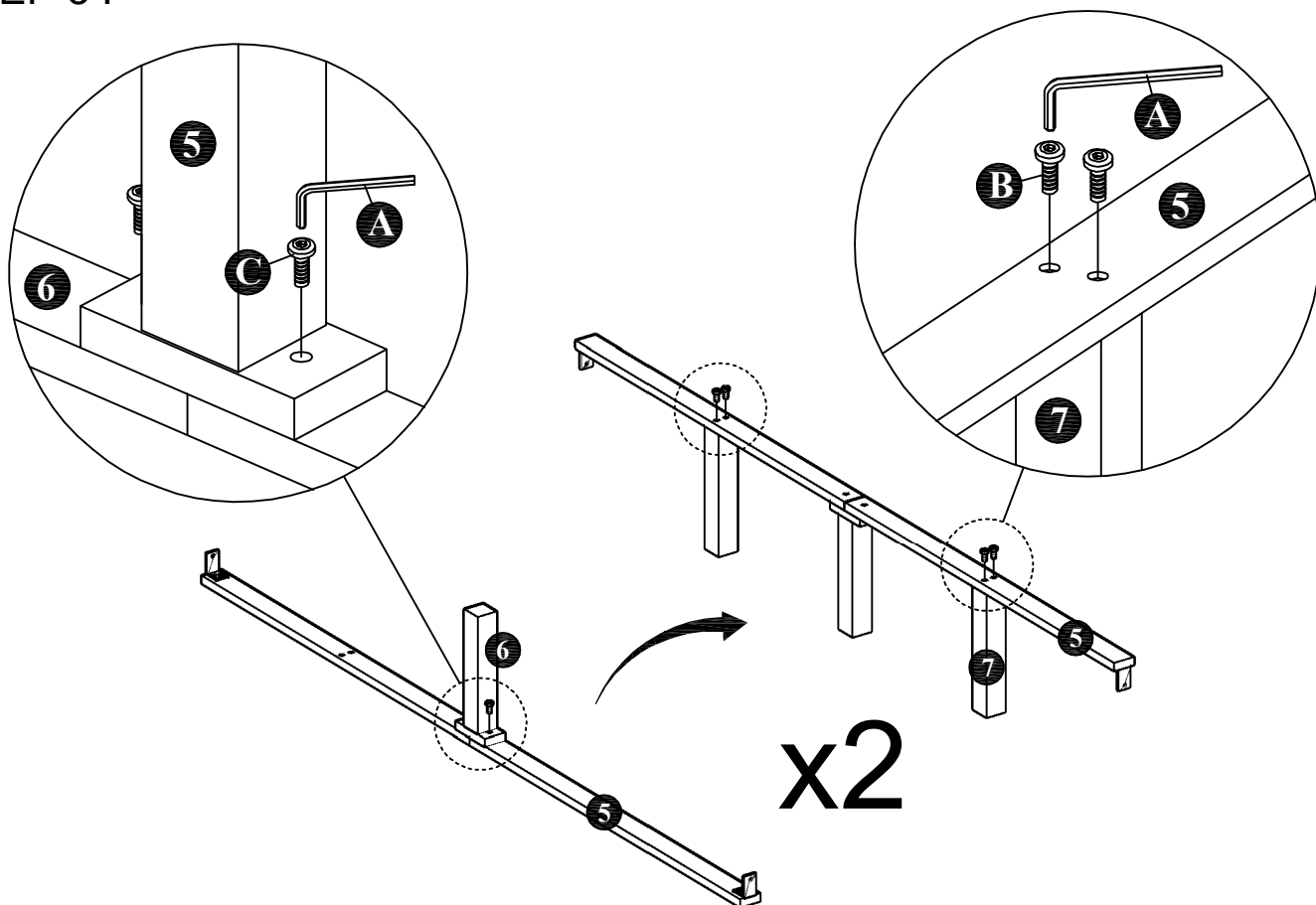


STEP 2 :

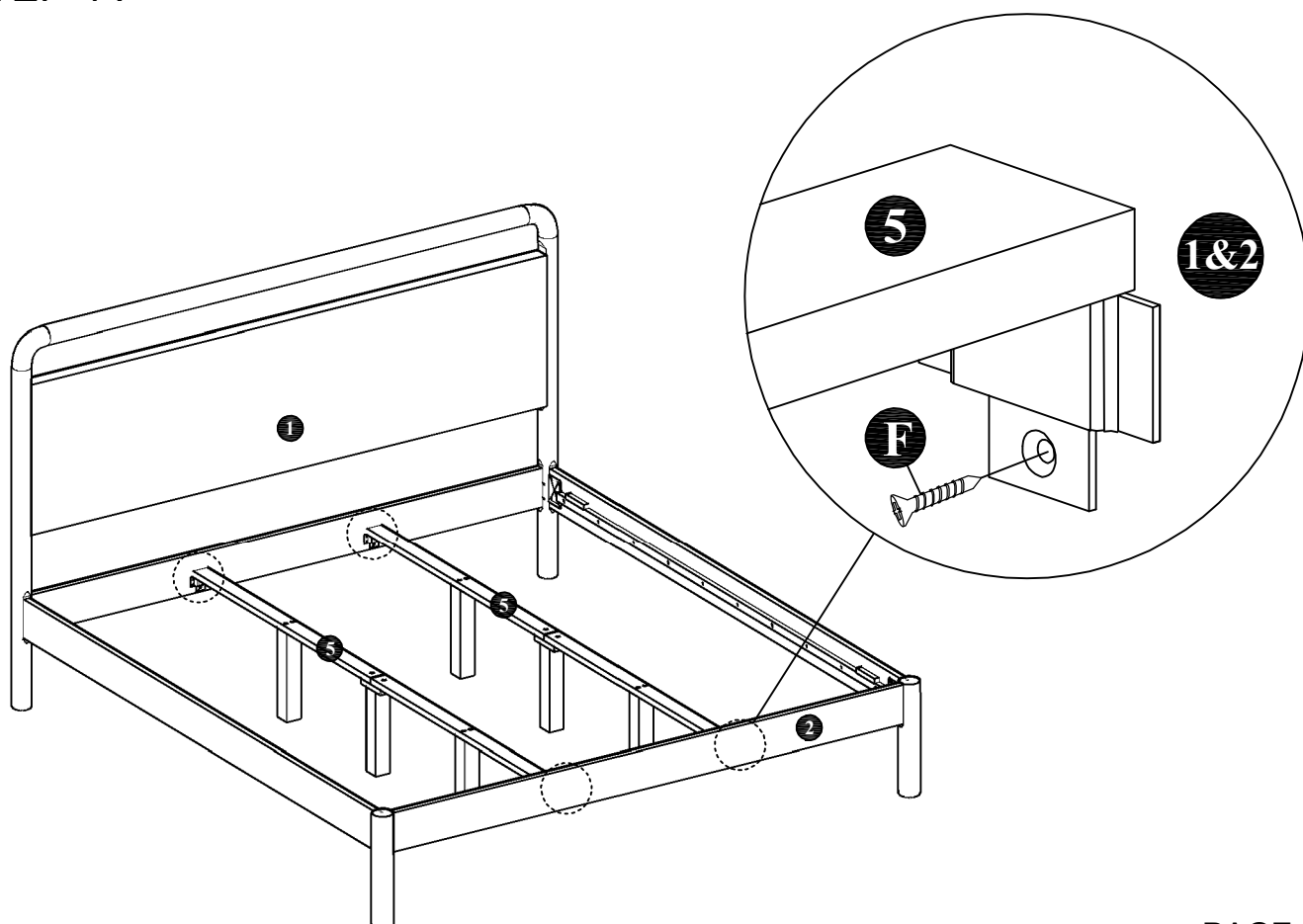


ASSEMBLY INSTRUCTIONS

STEP 3 :

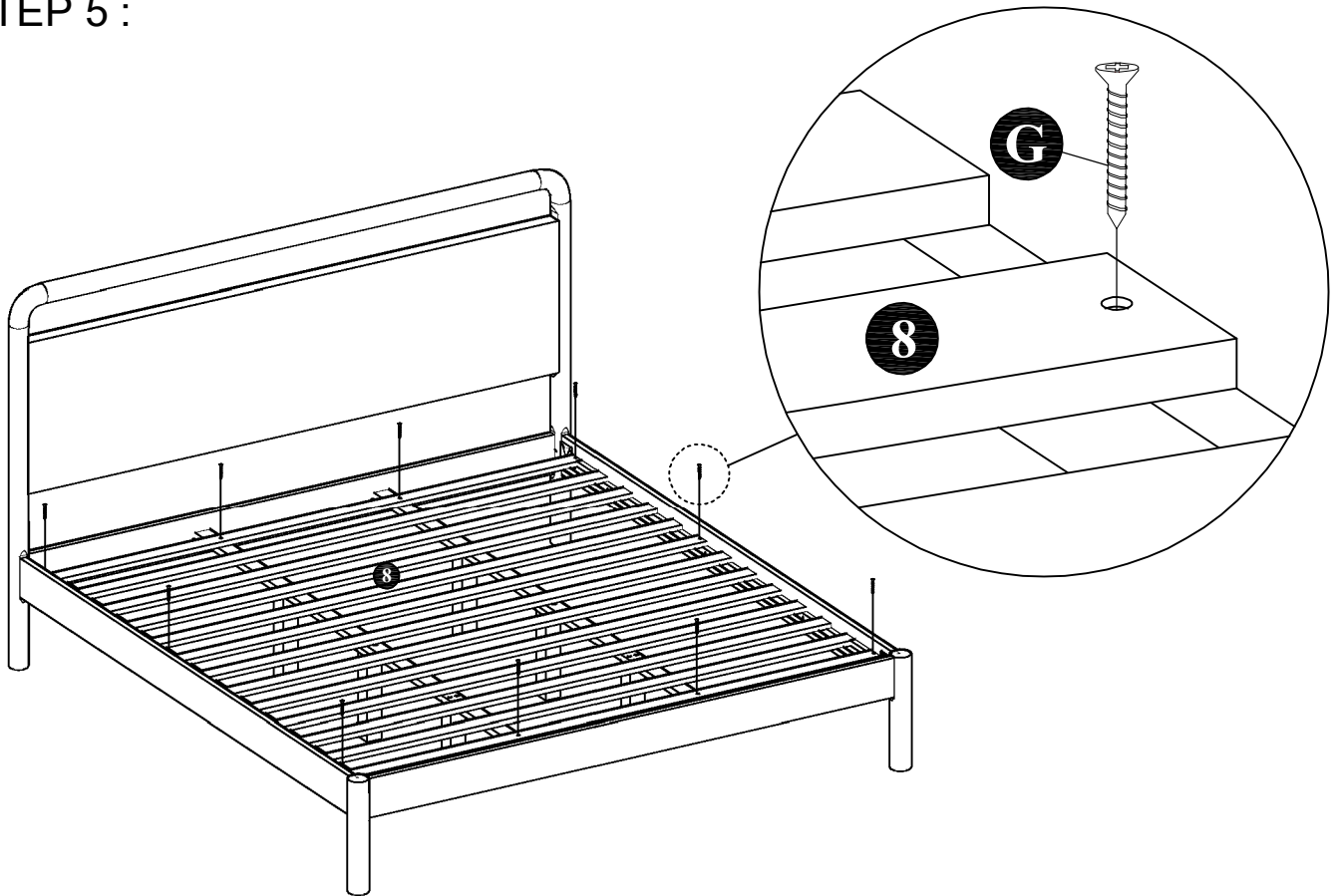


STEP 4 :



ASSEMBLY INSTRUCTIONS

STEP 5 :



COMPLETE VIEW

IMPORTANT

Please lift up the bed to move
with 2 or more people.

DO NOT DRAG THE BED!

