

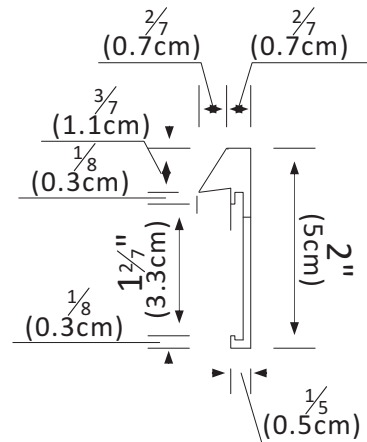
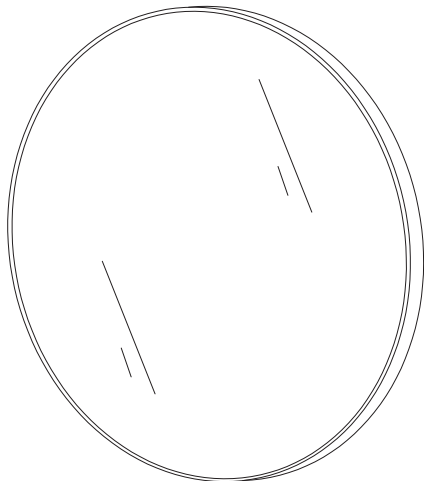
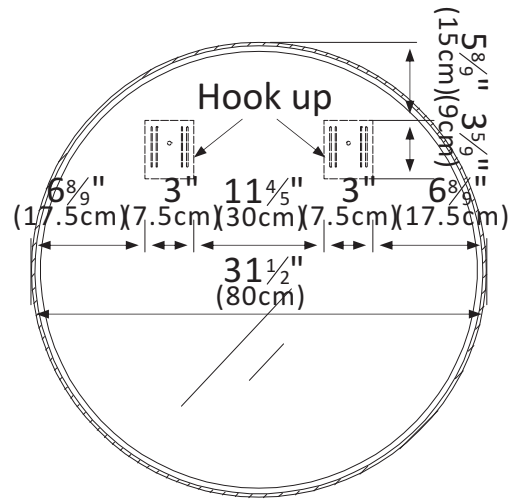
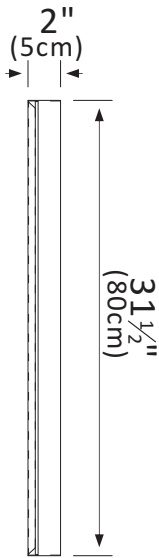
# INSTALLATION SPECIFICATION

Model No.:	
Finish:	Brushed gold
Mount type:	Wall-mounted
Orientation:	Vertical
Material:	Aluminum
Storage included:	No
Overall size:	31.5"W x 2.0"D x 31.5"H
Net weight:	15.9 lbs
Lens material:	5mm

All measurements are approximate. Measurements may vary +/- 1/2

## 32"

### Bathroom Mirror



Aluminum section