



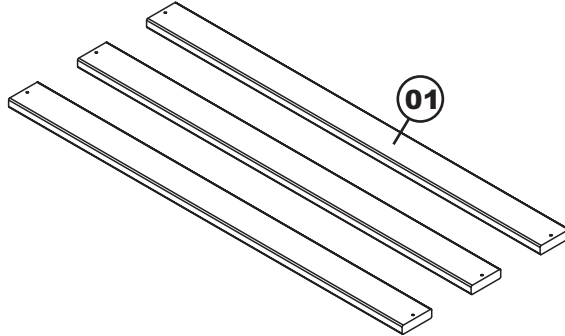
FOUNDATION SUPPORT BOARDS

ASSEMBLY INSTRUCTIONS (TWIN)

Before assembling your Support boards, please read through these instructions carefully and familiarize yourself with the different parts. Please note that you will require a Phillips screwdriver.

PARTS LIST

01 SUPPORT BOARDS 3 PCS



PO :

NOTE: WE INCLUDE SPARE HARDWARE IN CASE THE WOOD SCREW ARE DAMAGED DURING ASSEMBLY.

A



1 1/4" Wood screw - 6 pcs
Spare - 1 pc

HARDWARE

Step 1

Assemble bed frame according to assembly instructions.

Step 2

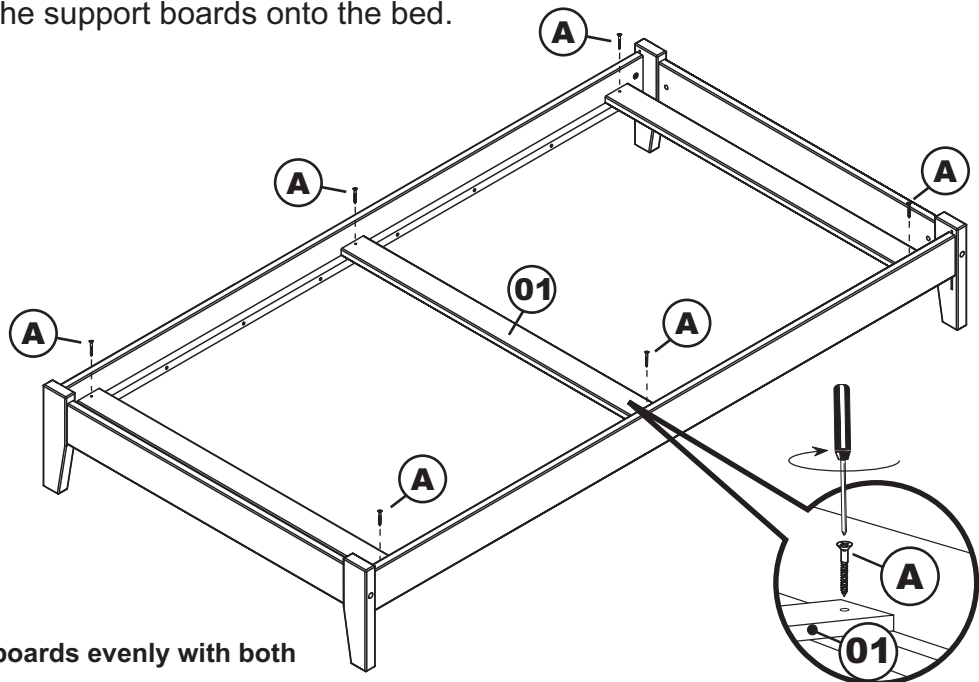
Lay the support boards onto the bed.



Adult assembly



Wood screw



Step 3

Be sure to align support boards evenly with both ends of side rails.

Screw support boards (01) to side rails, using wood screw (A).

Tighten with Phillips screw driver. (Customer supplied)

Be sure the space between support boards is even.