



KORUITEN

INSTRUCTION MANUAL





If there is any trouble with assembly or missing or damaged parts, please contact us with detailed pictures and your order number via

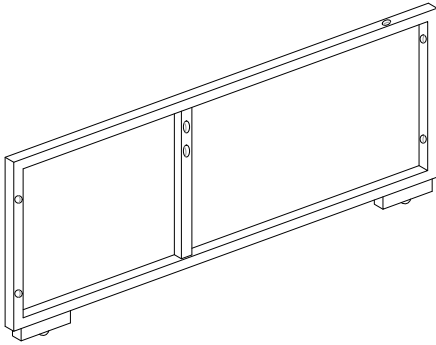
Email: 15327385565@163.com

IMPORTANCE

1. Please DO NOT fix screws tightly until all screws and holes have been connected successfully.
2. Thread the screws a little bit first, leave them loose until ALL screws are in, and then tighten them all.
3. Please email us with PICTURES of parts and SKU# info. on box marks if there is any trouble with assembly or missing or damaged parts.
4. Don't expose cushions in the BURNING sun for a long time, please cover the set or put cushions in door during rainy or snowy days.
5. Please DO NOT discard packing boxes before all parts are assembled successfully.

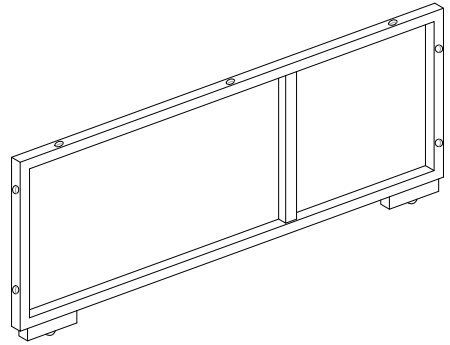
Thank you!

A



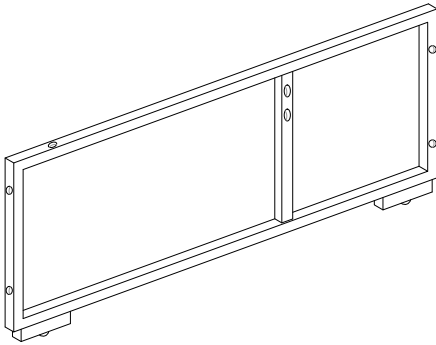
2PCS

B



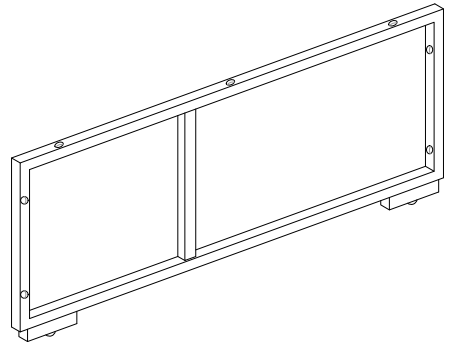
2PCS

C



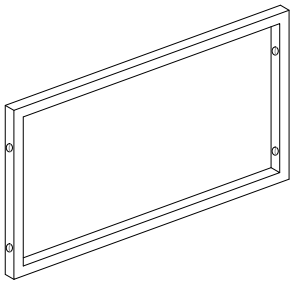
2PCS

D



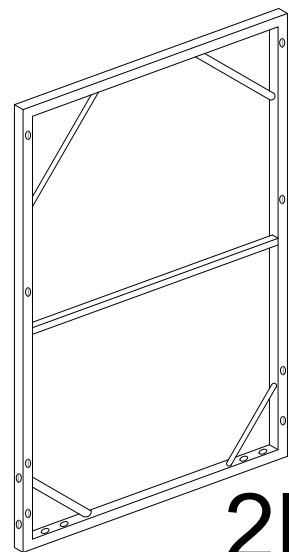
2PCS

E



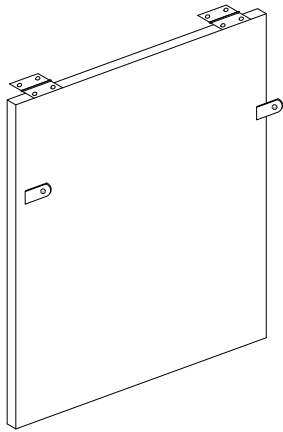
4PCS

F



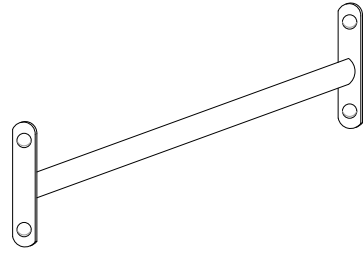
2PCS

G



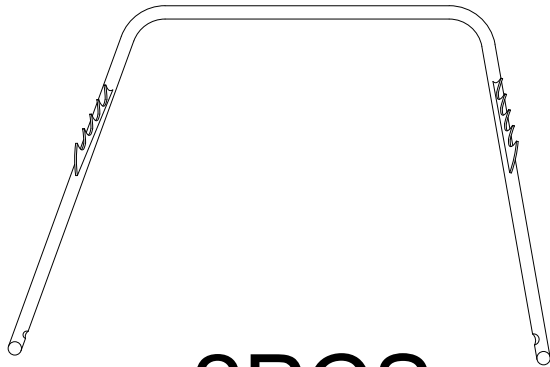
2PCS

H



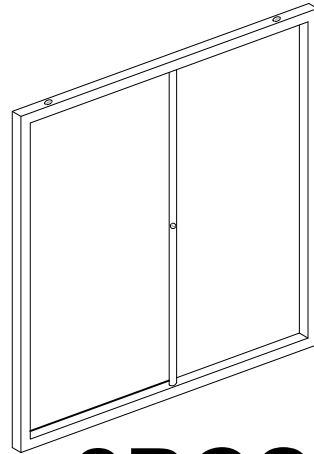
2PCS

I



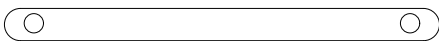
2PCS

J



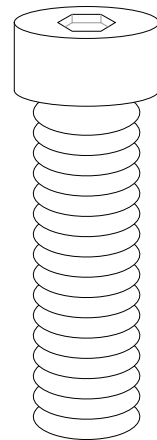
2PCS

K



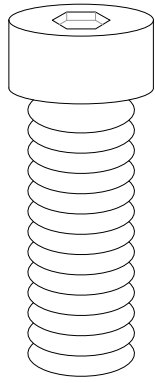
2PCS

a



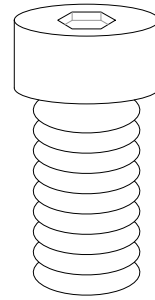
M6*55 8PCS

b



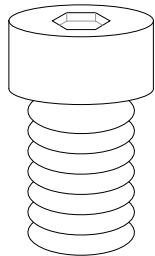
M6*40 4PCS

c



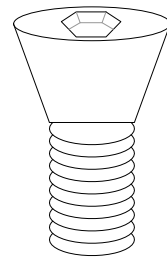
M6*35 38PCS

d



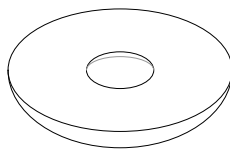
M6*20 8PCS

e



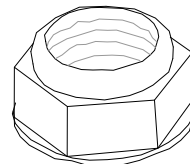
M6*15 8PCS

f



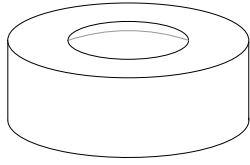
M6 68PCS

g

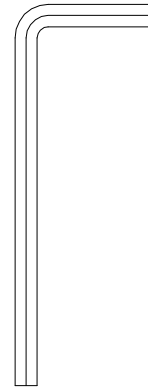


M6 14PCS

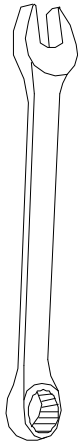
h



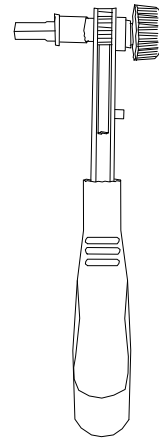
M6 8PCS



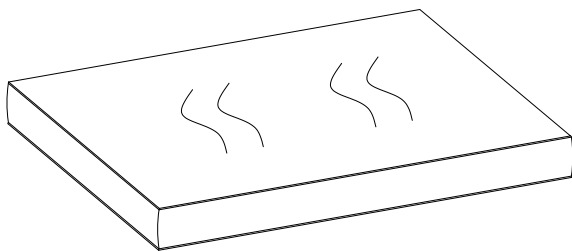
AllenKey 2pcs



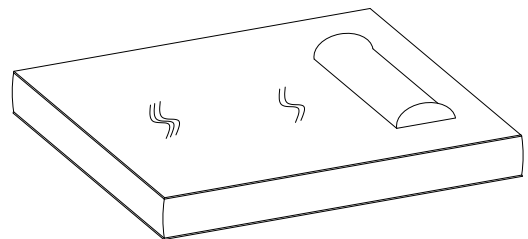
Spanner 1PCS



**Ratchet wrench
1PCS**

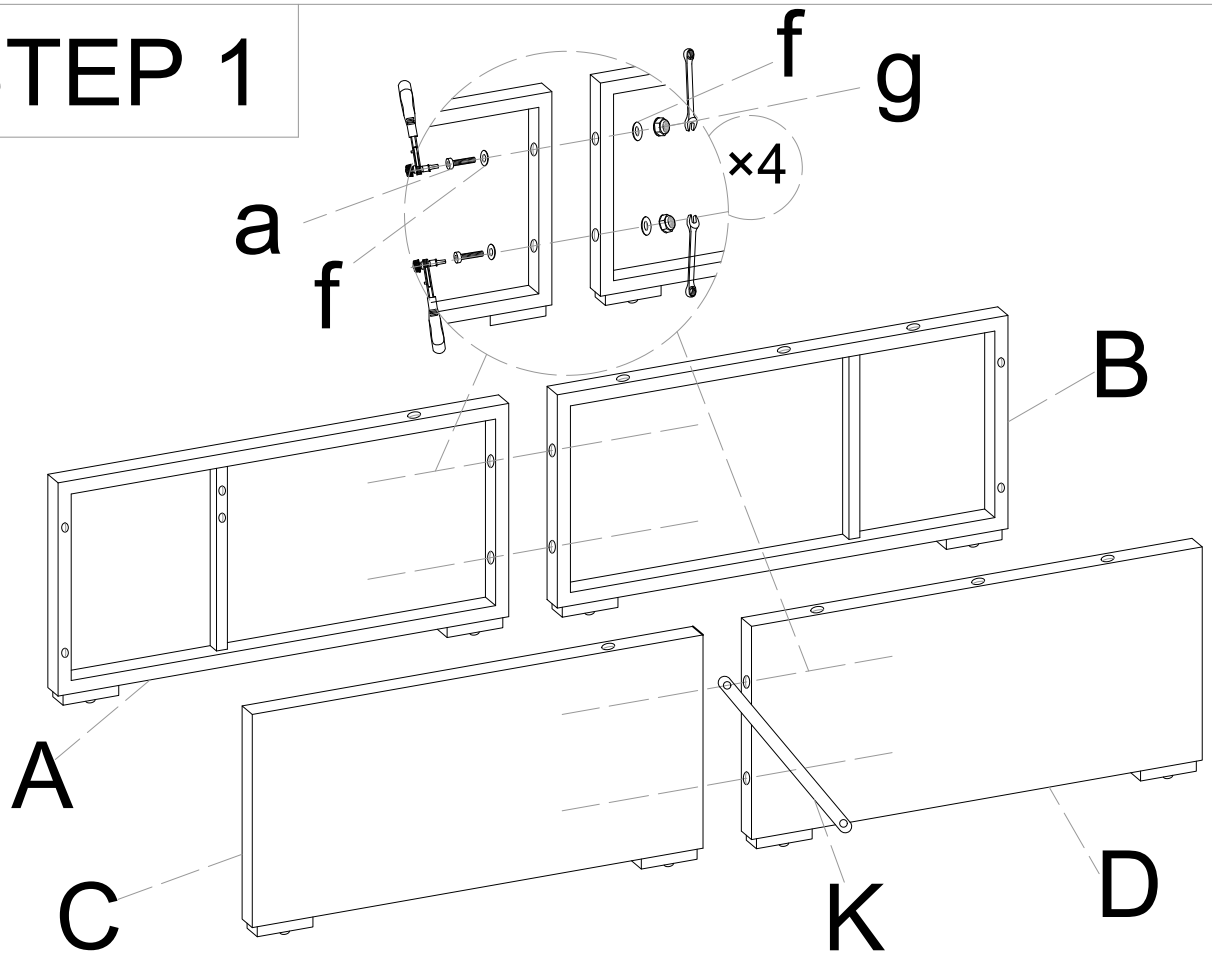


Cushion 2PCS

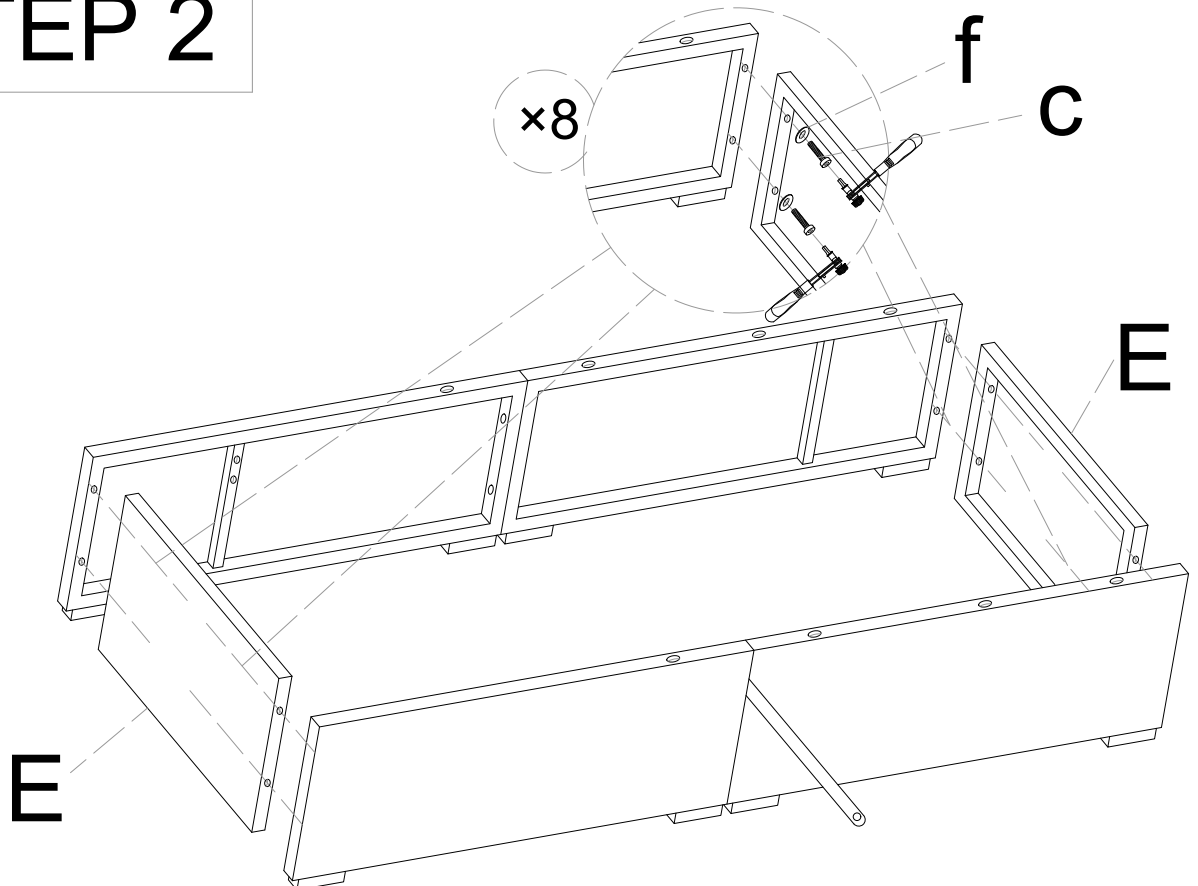


Pillow 2PCS

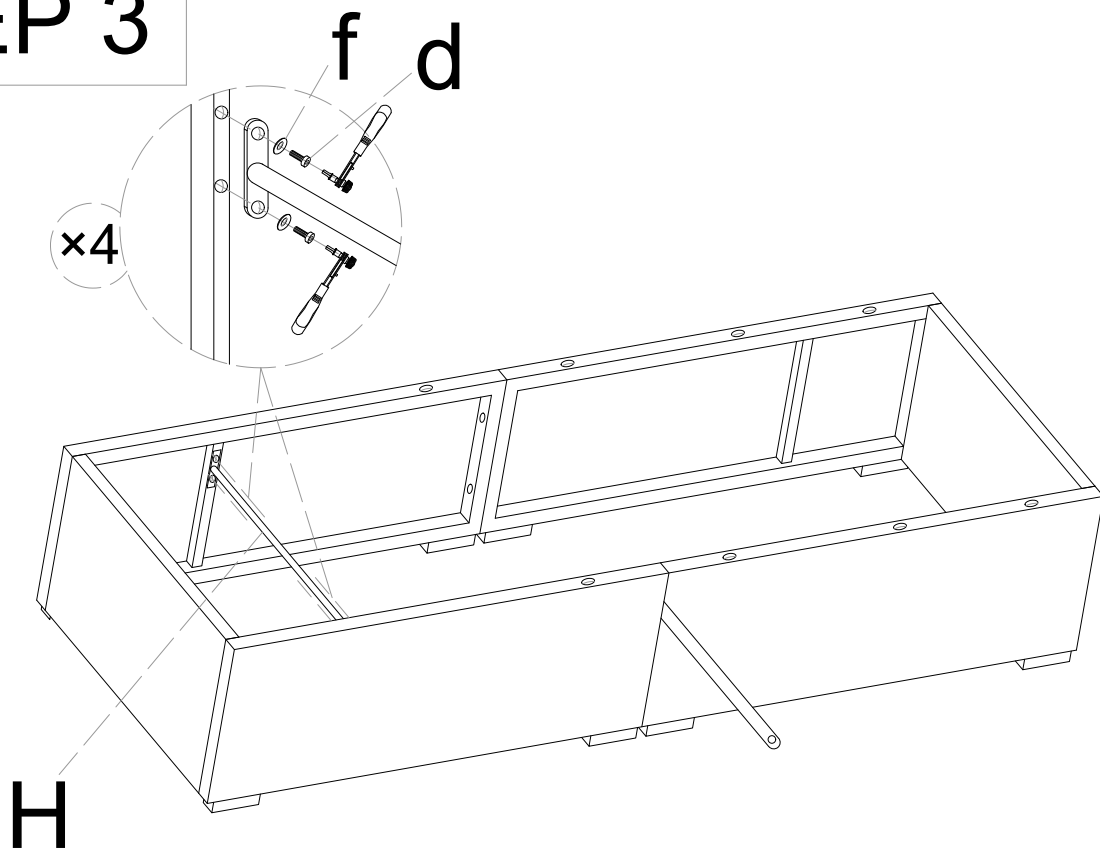
STEP 1



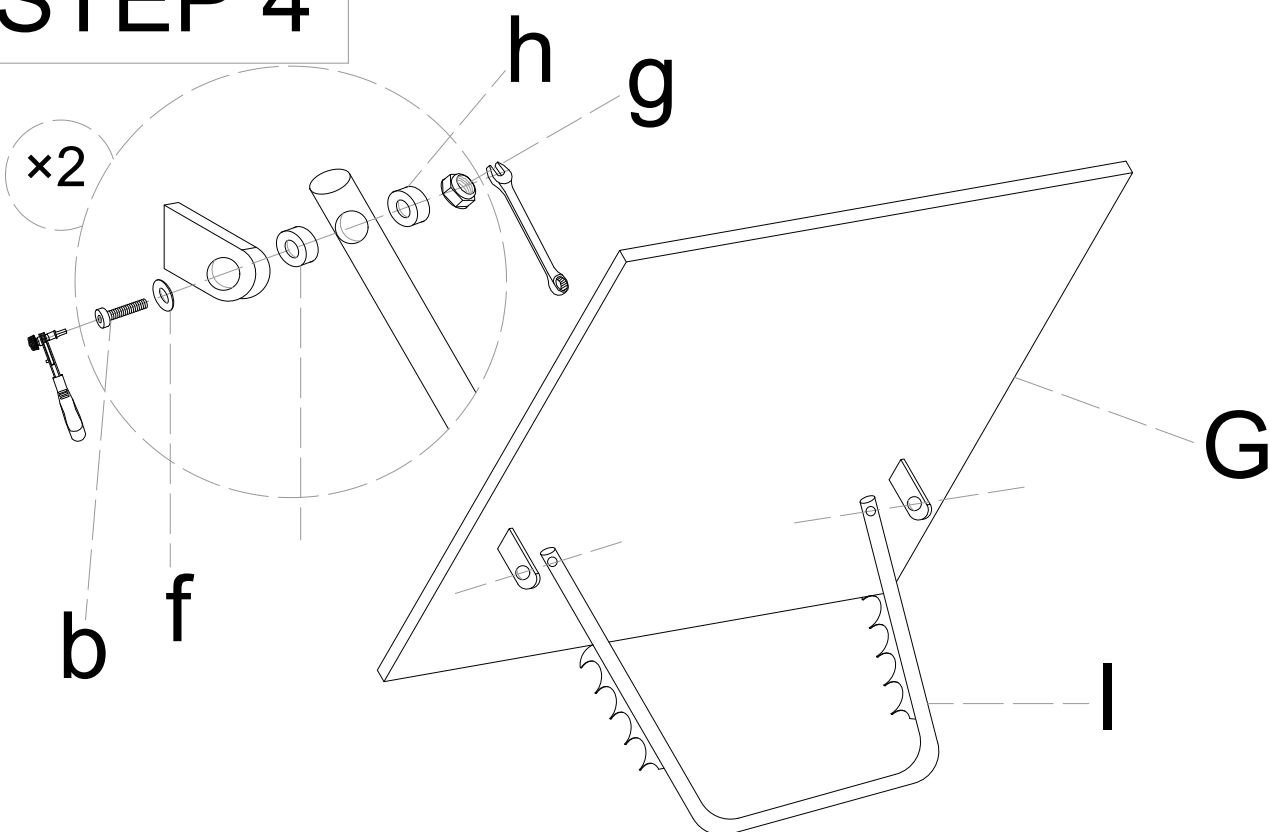
STEP 2



STEP 3



STEP 4



STEP 5

