

USER'S MANUAL
3-Drawer Storage Cabinet

THIS INSTRUCTION BOOKLET CONTAINS IMPORTANT SAFETY INFORMATION. PLEASE READ AND KEEP FOR FUTURE REFERENCE.

Please give us a chance to make it right and do better!
Contact our friendly customer service department for help first.
Replacements for missing or damaged parts will be shipped ASAP!

FLOOR AREA
2MX1.6M



ASSEMBLED BY 1 ADULT

Contact Us!

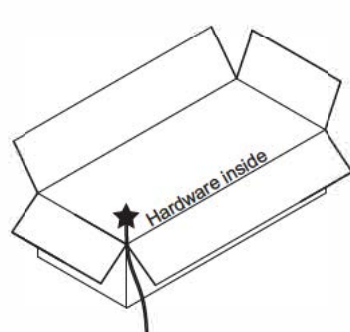
Do NOT return this item.

Contact our friendly customer service department for help first.

Before You Start



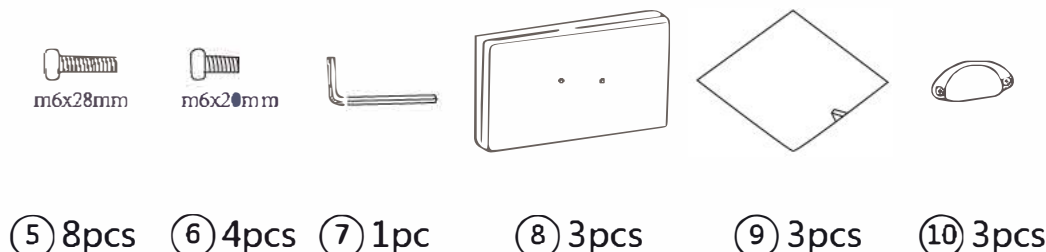
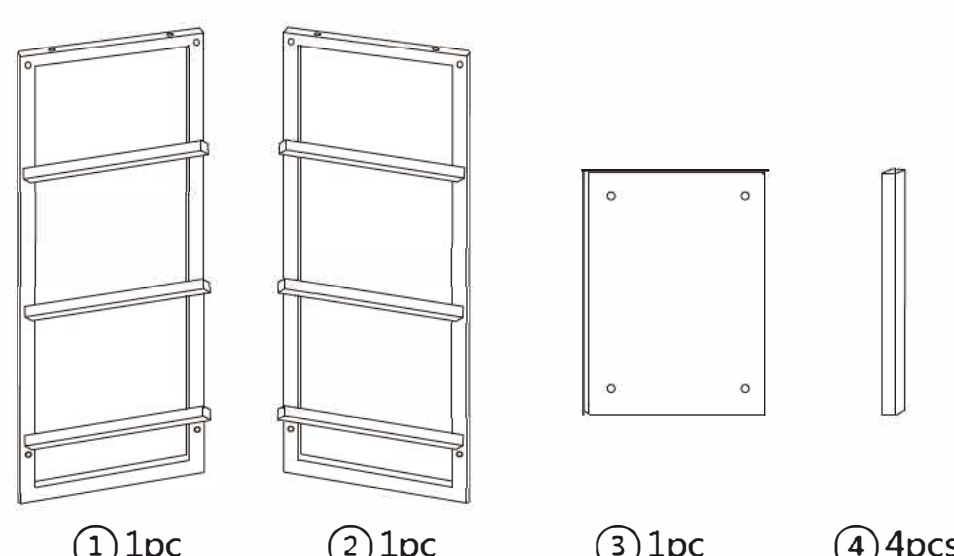
- ⦿ Read each step carefully before starting. It is very important to ensure each step followed in correct order, otherwise assembly difficulties may occur.
- ⦿ Most of board parts are labeled or stamped on the raw edges. Have a check to make sure all parts are included.
- ⦿ Work in a spacious area, preferably on a carpet close to where the unit will be used.
- ⦿ Keep the handtools close at hand. Do not use power tools to assemble your furniture. They may scratch or damage the parts.



2

Assemble Instruction

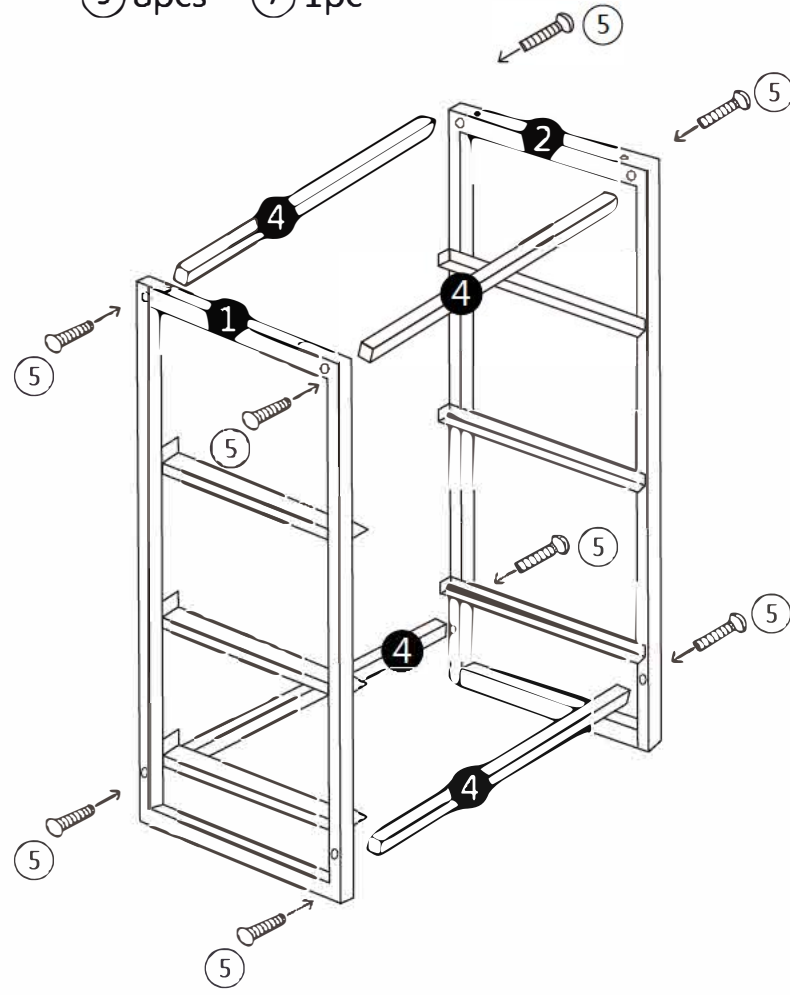
Attention : Do not tighten the screws until you have completed assembly



3

PRODUCT ASSEMBLY

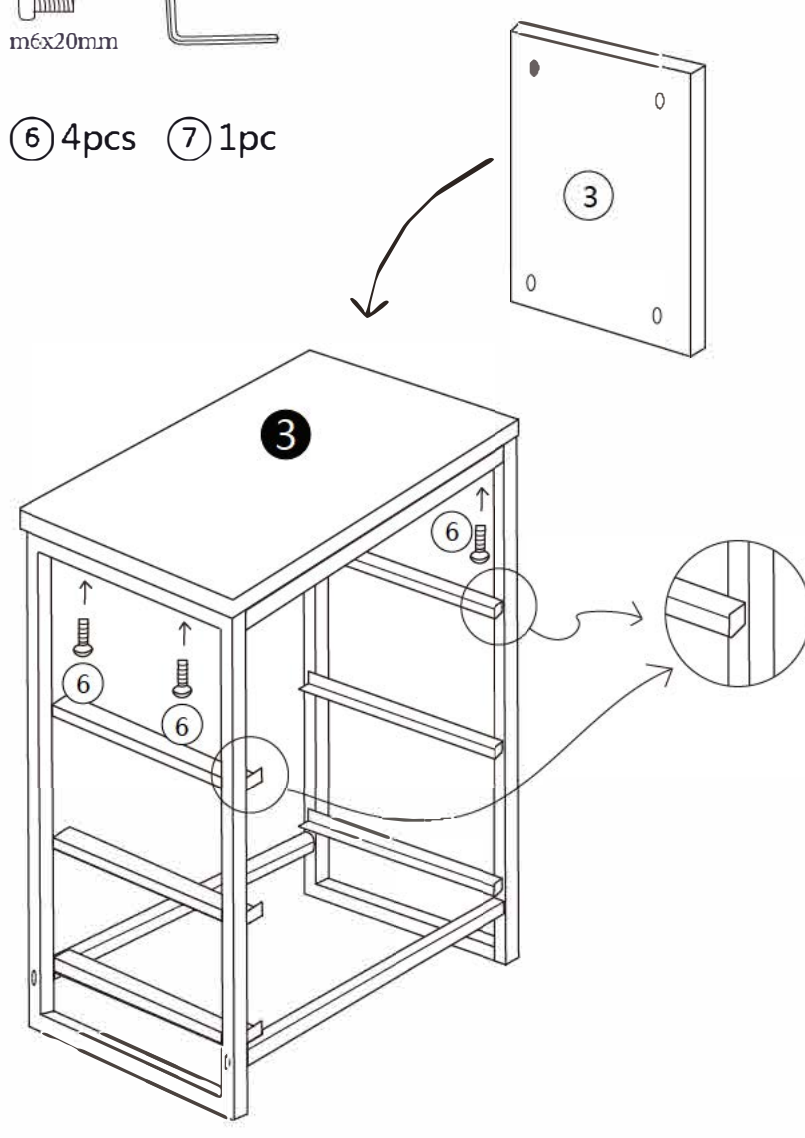
STEP 1



4

PRODUCT ASSEMBLY

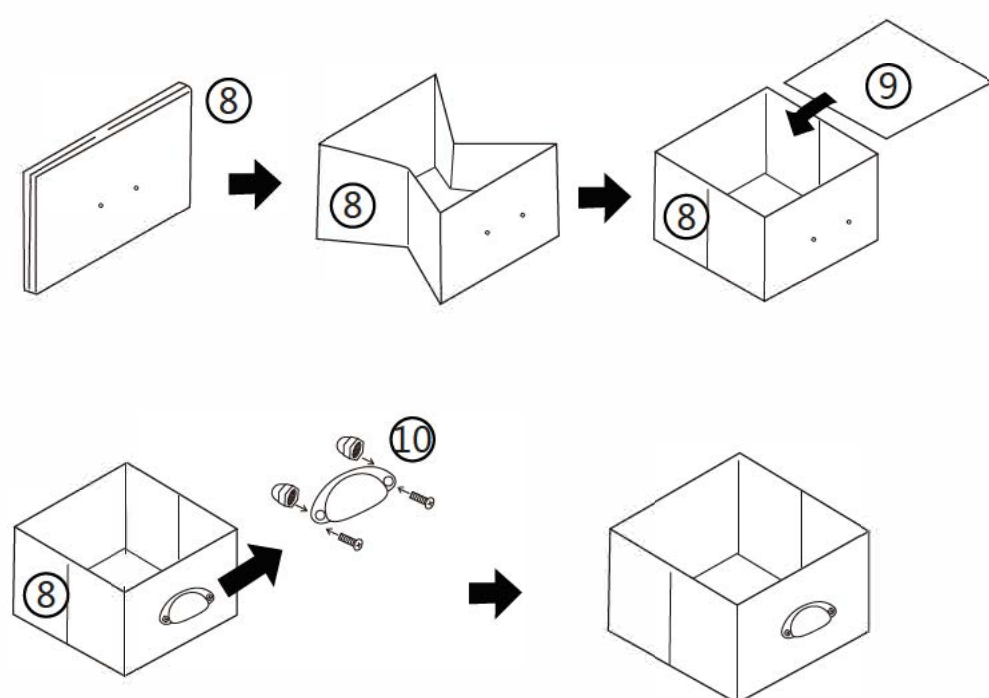
STEP 2



5

PRODUCT ASSEMBLY

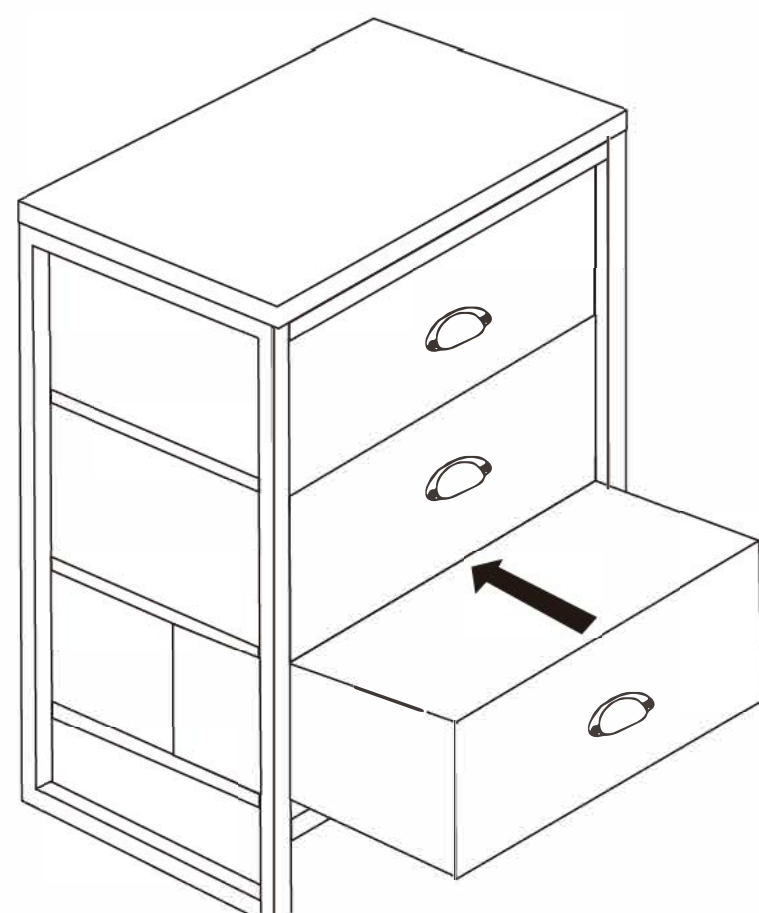
STEP 3



6

PRODUCT ASSEMBLY

STEP 4



7

Care and Maintenance

Use a soft, clean cloth that will not scratch the surface when dusting.
Use of furniture polish is not necessary.
Should you choose to use polish, test first in an inconspicuous area.
Never use water of any kind on your furniture as it may damage the finish.
Liquid spills should be removed immediately. Using a soft clean cloth, blot the spill gently. Avoid rubbing.
Check bolts/screws periodically and tighten them if necessary.

Further advice about wood furniture care

It is best to keep your furniture in a climate-controlled environment. Extreme temperature and humidity changes can cause fading, warping, shrinking and splitting of wood.
It is advised to keep furniture away from direct sunlight as sun may damage the finish.
Proper care and cleaning at home will extend the life of your purchase. Following these important and helpful tips will enhance your furniture as it ages.

8

Welcome to visit our website and purchase our quality products!

Your suggestions and comments are really important to us!
We sincerely solicit you to go back to our shop and leave a good rating in just a simple click. It would be quite encouraging if you could kindly do so like below:
★★★★★ Great products so far

Great products so far. Fast delivery, easy setup, and working without any issues.

With your inspiring rating, COSTWAY will be more consistent to offer you EASY SHOPPING EXPERIENCE, GOOD PRODUCTS and EFFICIENT SERVICE!

- * Reward Points
- * Exclusive Customer Service
- * Personalized Recommendations
- * Permanent Shopping Cart
- * Order History

5 Star Rating



We would like to extend our heartfelt thanks to all of our customers for taking time to assemble this product and giving us valuable feedbacks.



9