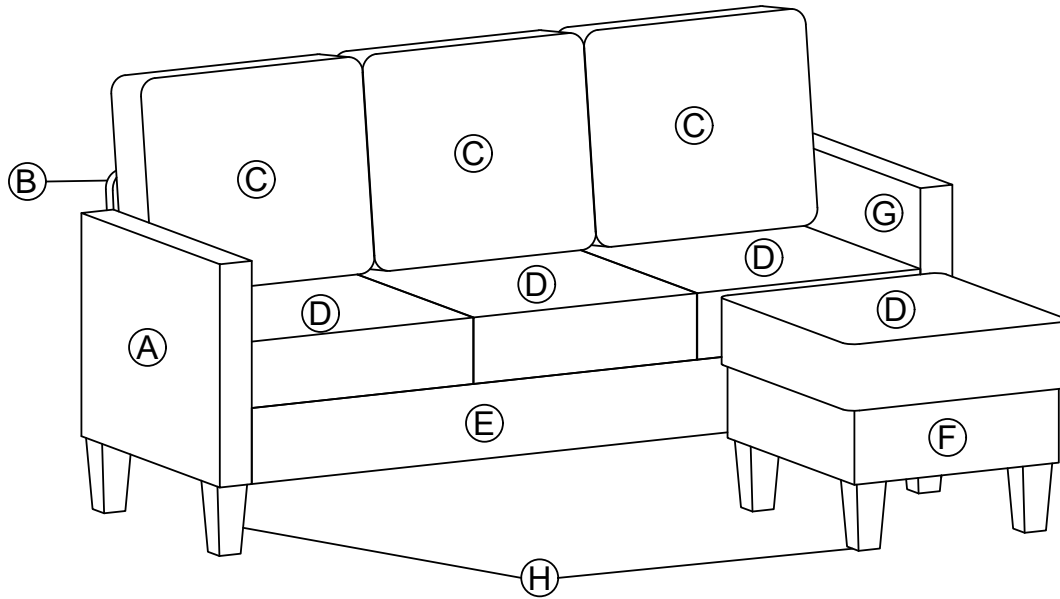


# Assembly Instructions

Thanks you for purchasing this quality product. Be sure to check all packing material carefully for small parts that may have come loose inside the carton during shipment.



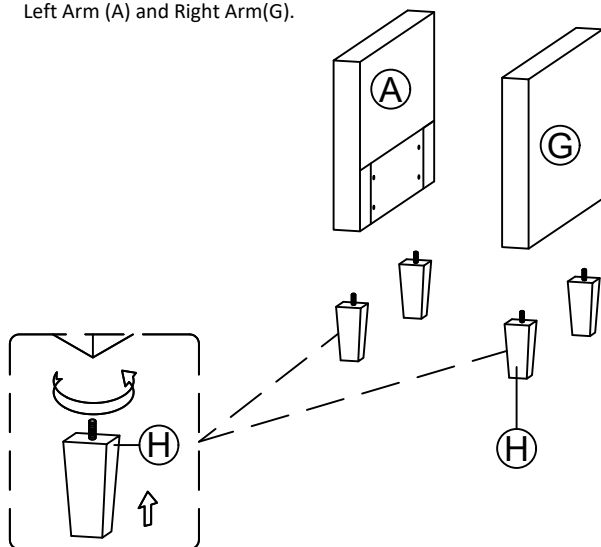
## PARTS LIST

|                 |                        |                      |                           |                           |                      |                  |
|-----------------|------------------------|----------------------|---------------------------|---------------------------|----------------------|------------------|
|                 |                        |                      |                           |                           |                      |                  |
| Left Arm<br>1PC | Backrest<br>1PC        | Back cushion<br>3PCS | Seat Cushion<br>4PCS      | Seat Frame<br>1PC         | Ottoman Frame<br>1PC | Right Arm<br>1PC |
|                 |                        |                      |                           |                           |                      |                  |
| Legs<br>8PCS    | Spring Washer<br>14PCS | Flat Washer<br>14PCS | Bolt 5/16" X 45mm<br>6PCS | Bolt 5/16" X 30mm<br>8PCS | Allen key<br>1PC     |                  |

## PART 1

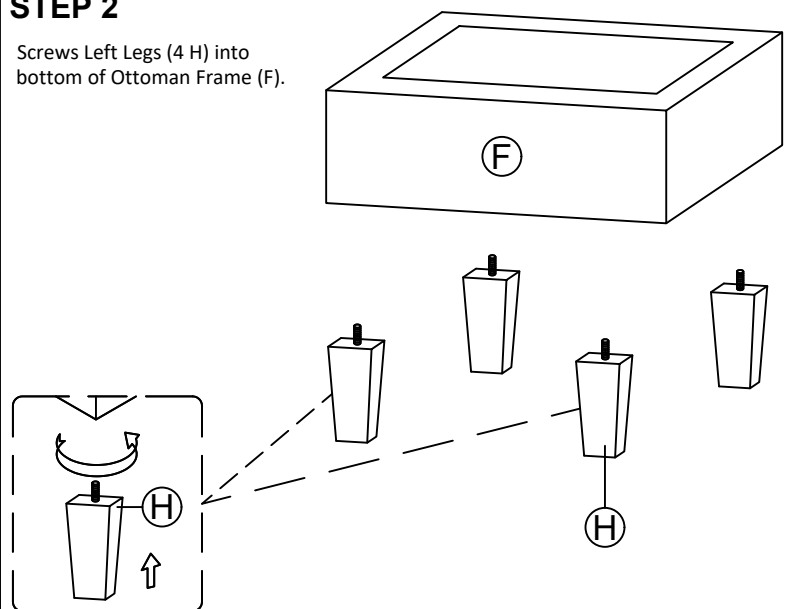
### STEP 1

Screws Legs (4 H) into bottom of Left Arm (A) and Right Arm(G).



### STEP 2

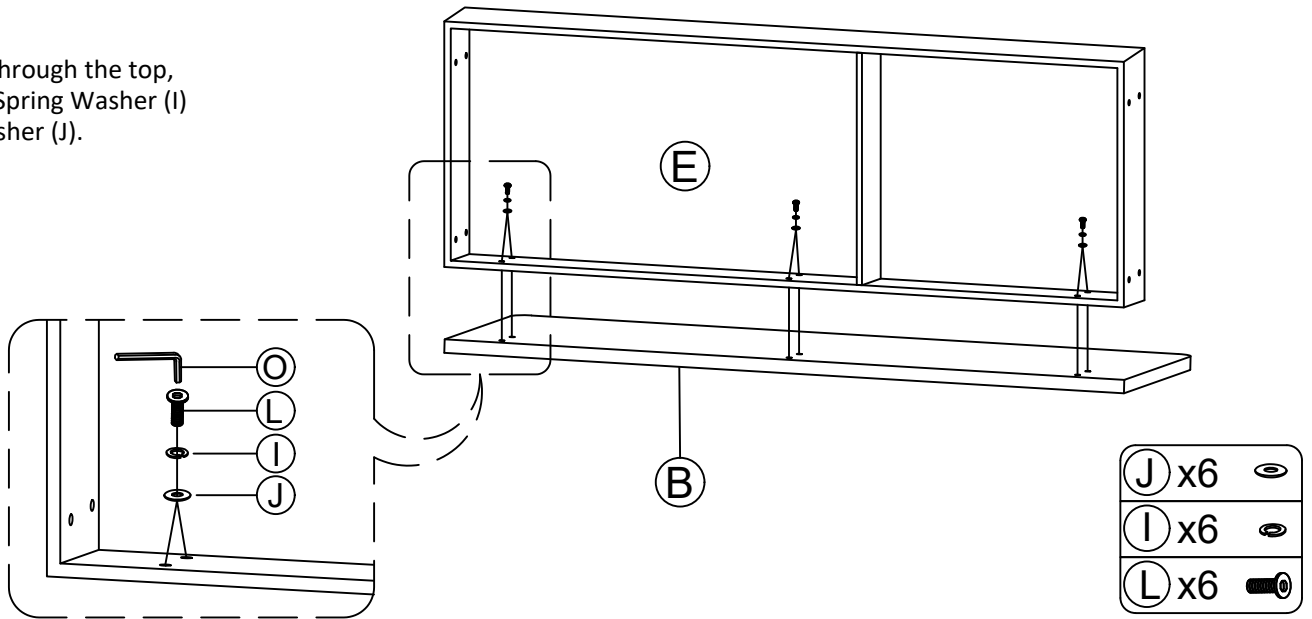
Screws Left Legs (4 H) into bottom of Ottoman Frame (F).



## PART 2

### STEP 3

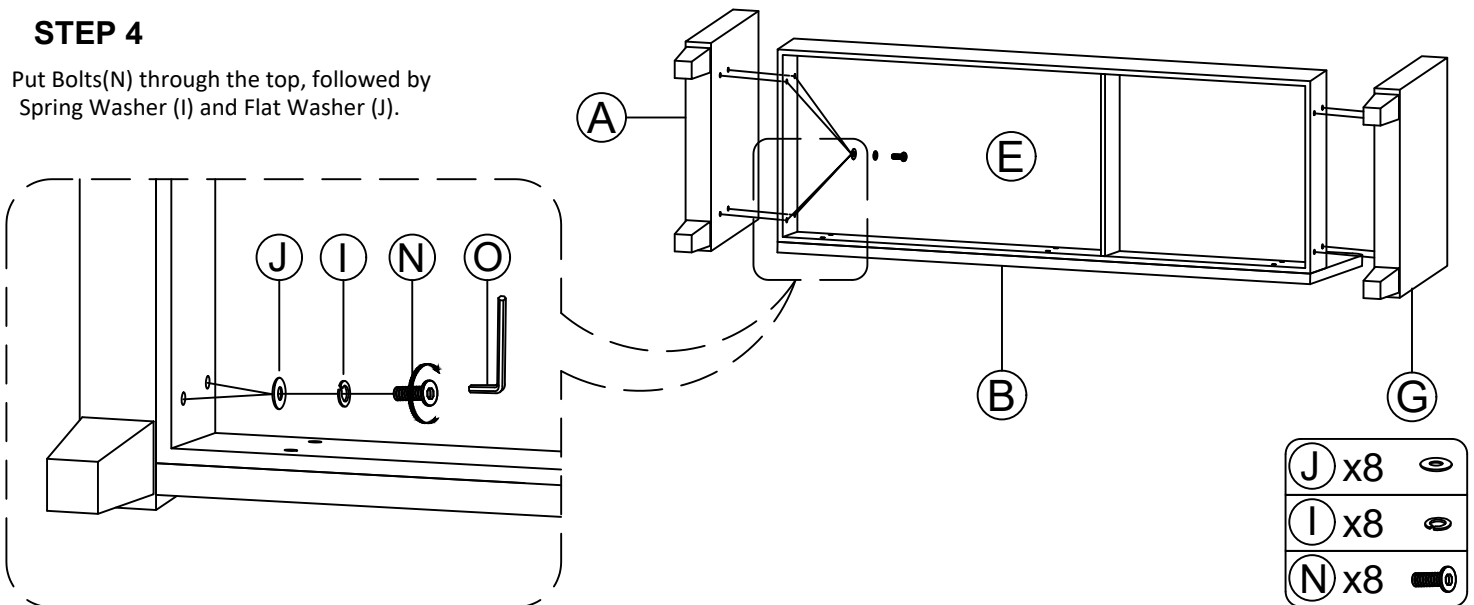
Put Bolts(L) through the top, followed by Spring Washer (I) and Flat Washer (J).



## PART 3

### STEP 4

Put Bolts(N) through the top, followed by Spring Washer (I) and Flat Washer (J).



## COMPLETED

