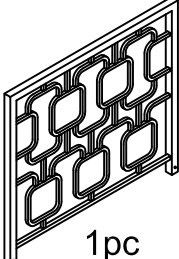
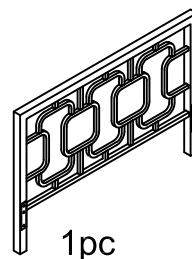

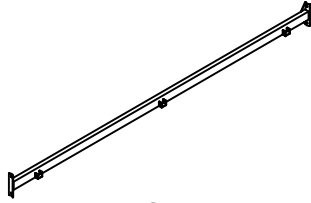
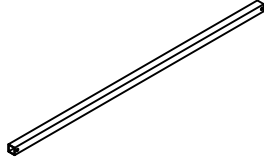
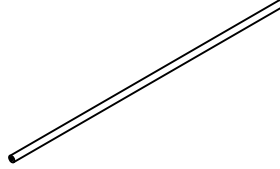


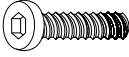
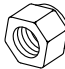


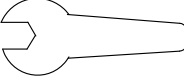
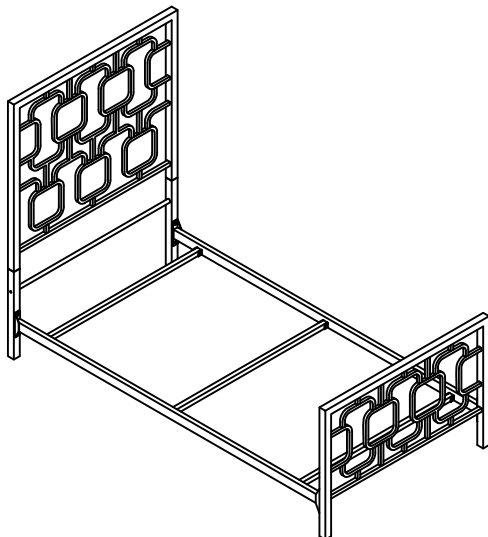


# ASSEMBLY INSTRUCTION

## METAL TWIN BED

<b>A</b> Headboard  1pc	<b>B</b> Footboard  1pc	<b>C</b> Extension leg  2pcs	<b>D</b> Side rail  2pcs
<b>E</b> Slats  3pcs	<b>F</b> Bar  1pc	<b>G</b> Bolt 1/4", 57MM  2pcs	<b>H</b> Bolt 1/4", 44MM  6pcs
<b>I</b> Bolt 1/4", 16MM  12pcs	<b>J</b> Nut 1/4"  6pcs	<b>K</b> Flat washer Ø16mm  26pcs	<b>L</b> Allen wrench 4X4MM  1pc
<b>M</b> Wrench 11.3MM  1pc			

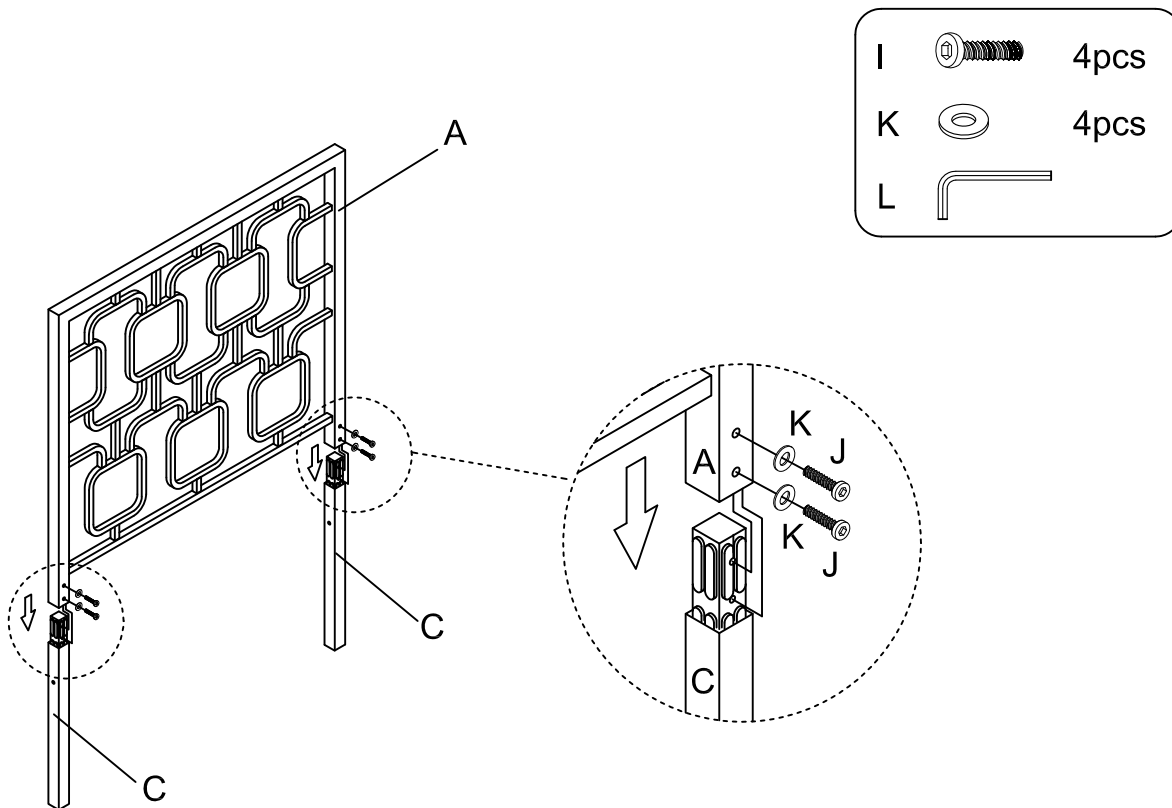


This page lists all the contents included in the box. Please take the time to identify the hardware as well as the individual components to this product. As you unpack and prepare for assembly, place the contents on a carpeted or padded area to protect them from damage.

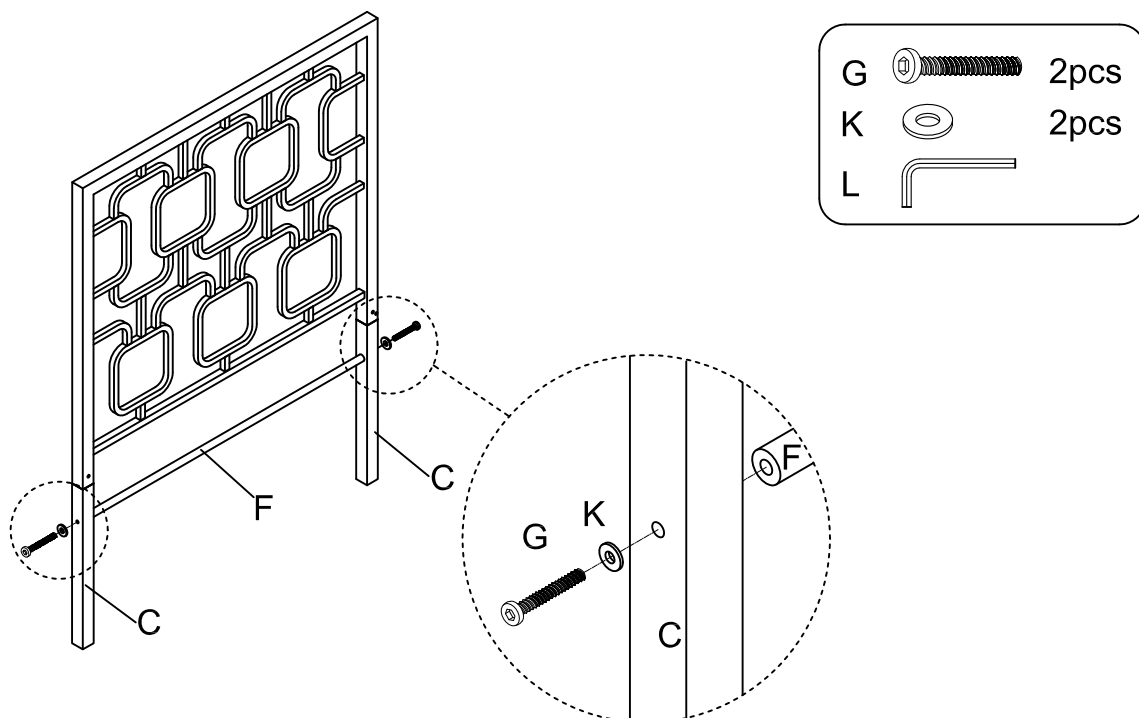
### ASSEMBLY

Do not fully tighten all bolts until assembly is complete. This will help all parts to assemble properly.

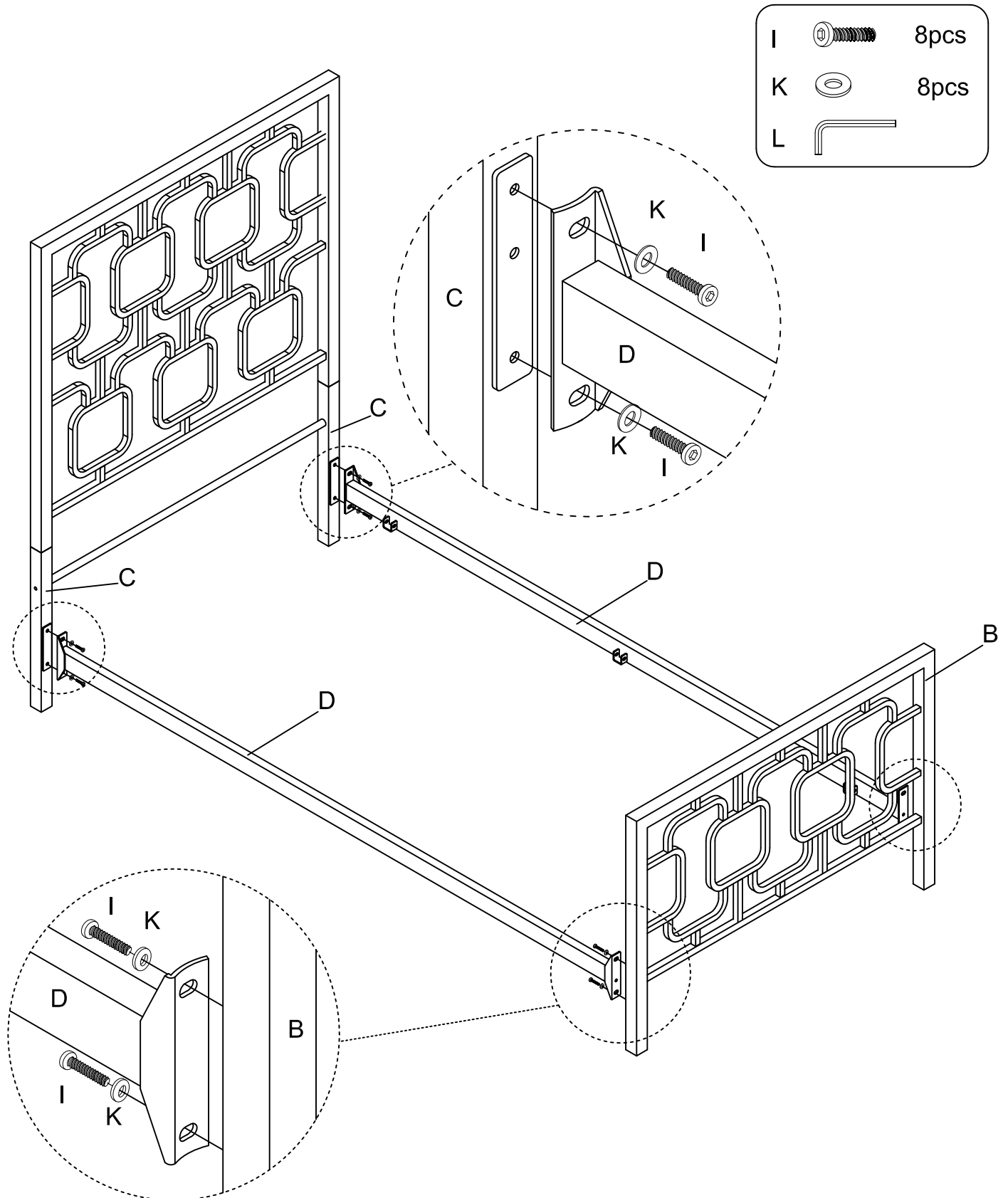
**1** Assemble the extension leg (C) to the headboard (A) with 4pcs Bolt (I) and 4pcs flat washer (K), then fastened using allen wrench (L).



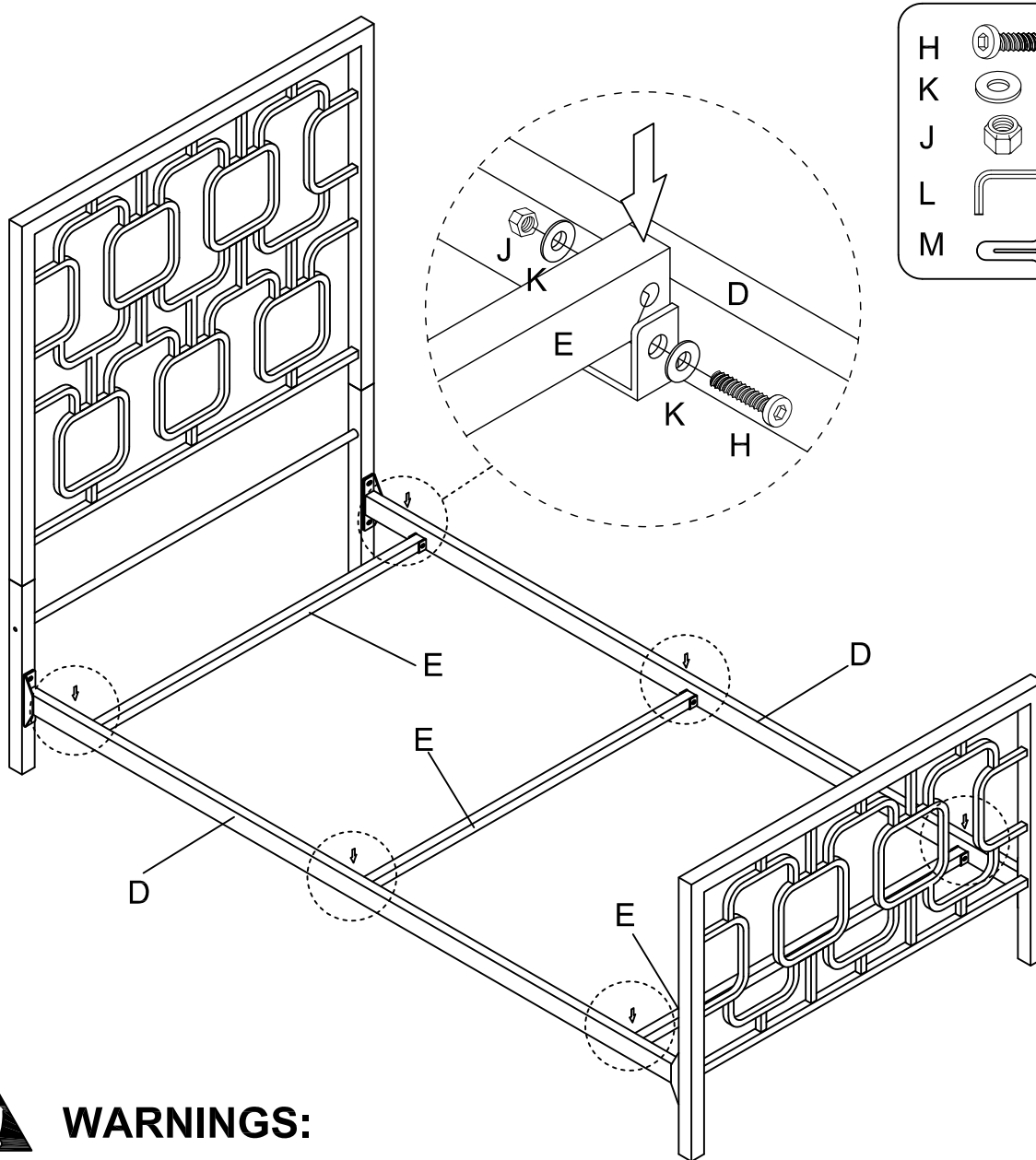
**2** Assemble the bar (F) to the extension leg (C) with 2pcs Bolts (G) and 2pcs flat washer (K), then fastened using allen wrench (L).




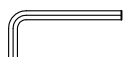



**3** Assemble the side rail (D) to the extension leg (C) and the footboard (B) with 8pcs Bolts (I), and 8pcs flat washer (K), then fastened using allen wrench (L).



**4** Assemble the slat (E) to the side rail (D) with 1pc Bolt (H), 1pc nut (J) and 2pcs flat washer (K) for each end of slat (E), then fastened using allen wrench (L) and wrench (M).



H		6pcs
K		12pcs
J		6pcs
L		
M		

**⚠ WARNINGS:**

- Use only mattress which is 74"-75" long and 37 $\frac{1}{2}$ "- 38 $\frac{1}{2}$ "wide.
- Do not allow horseplay or under the bed and prohibit jumping on the bed.
- Periodically check and ensure that all the components are in their proper position, free from damage, and that all connectors are tight.
- Do not use substitute parts, Contact the store for replacement part.
- Maximum total weight is not to exceed 400 lbs.

● **Keep these instructions for future reference.**

**Cleaning & Care**

Treat surface with care. Surface is resistant to scratches but is not scratch resistant. Clean surfaces with a dry or damp soft cloth. Do not use abrasive cleaners. Hardware may loosen over time. Periodically check that all connections are tight.