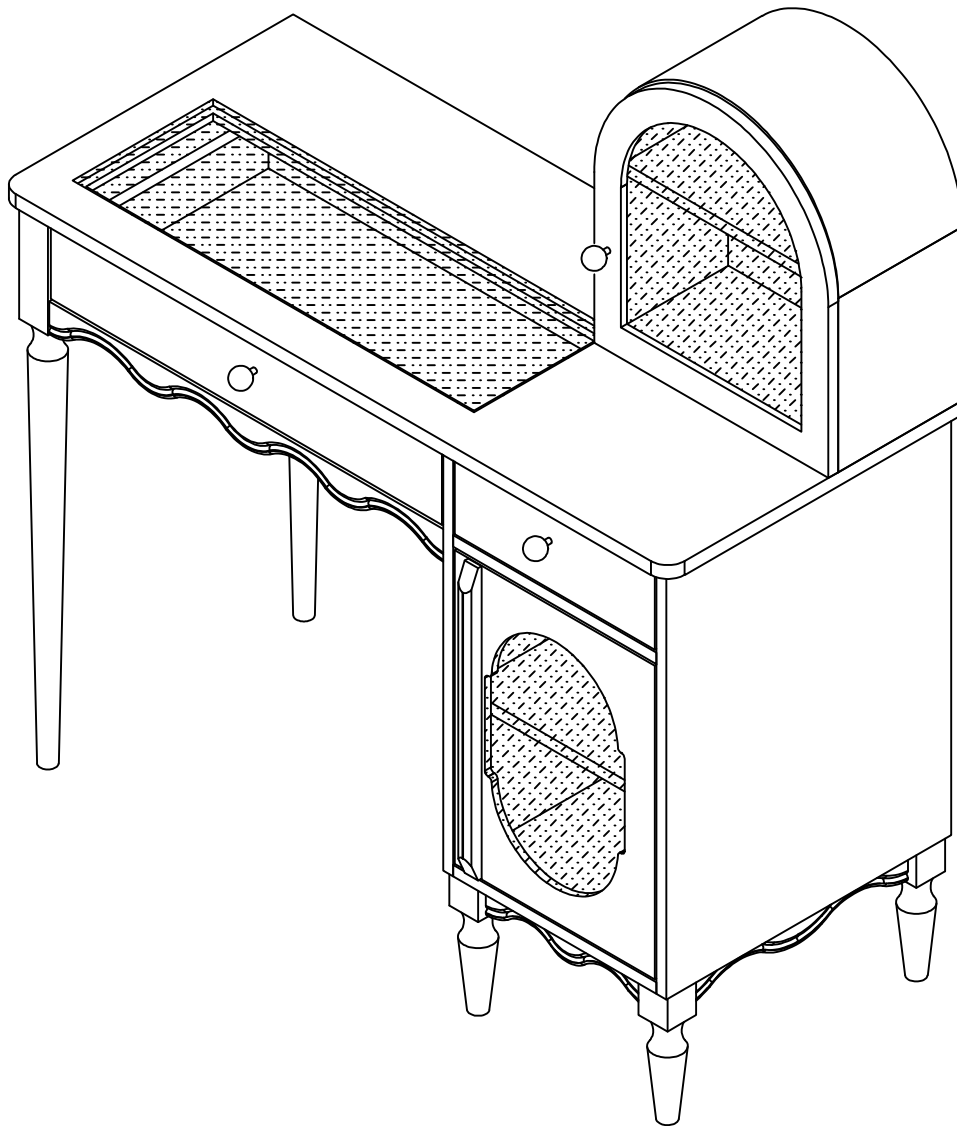
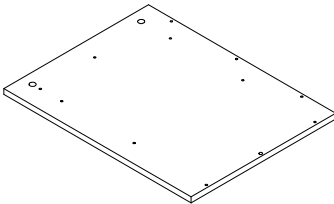
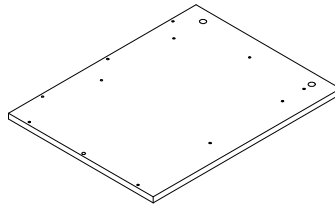
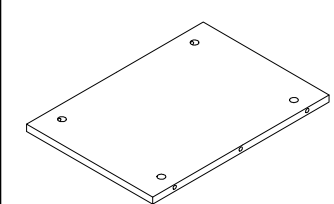
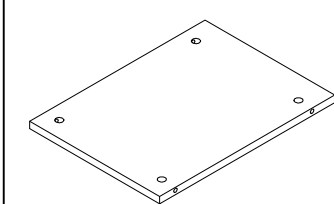
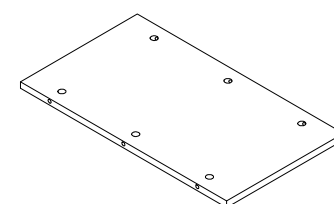
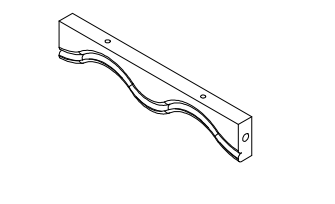
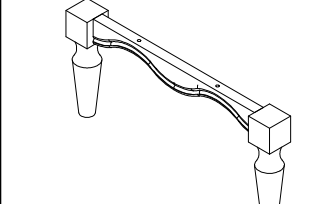
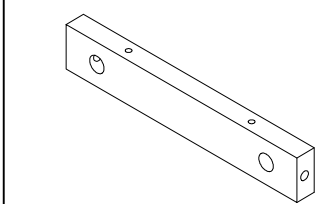
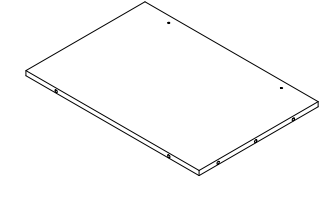
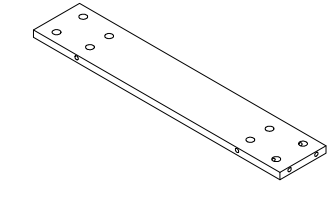
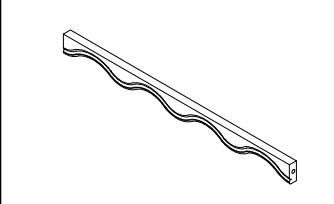
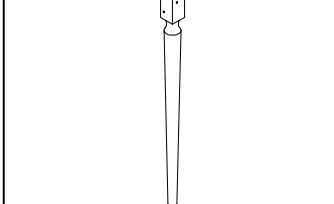
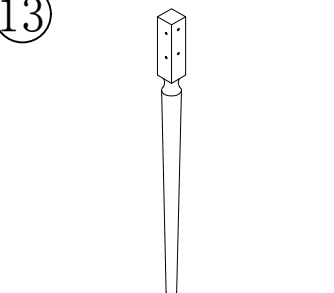
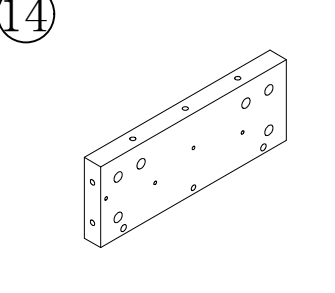
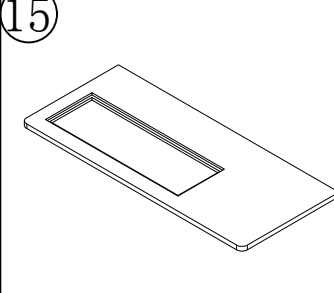
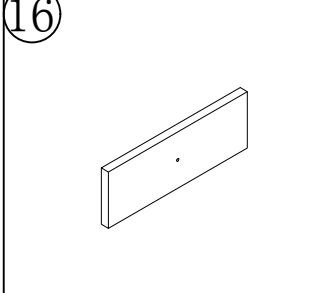
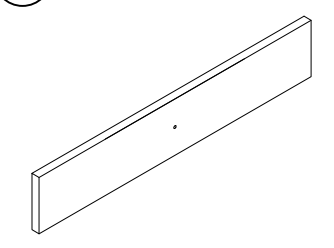
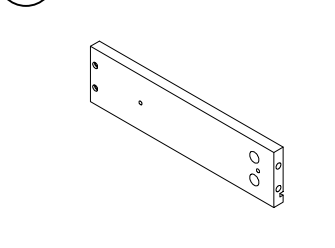
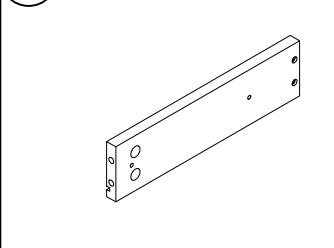
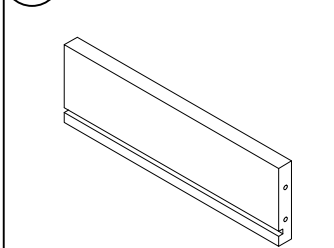


# Assembly Guide

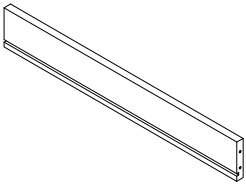
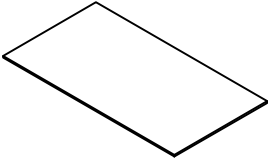
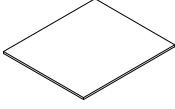
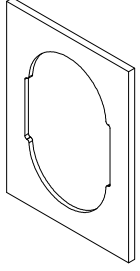

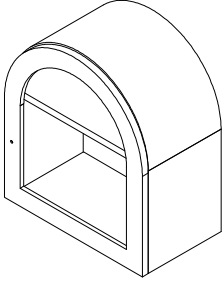
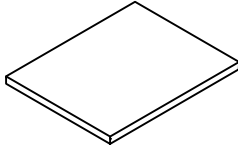
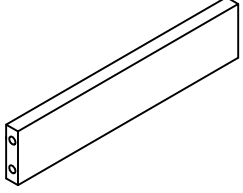
## S2120P Dresser



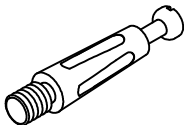

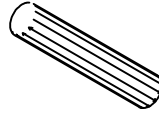
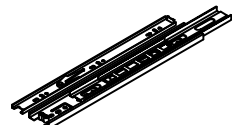


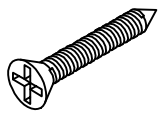
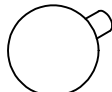


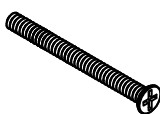
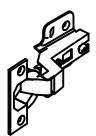
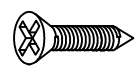
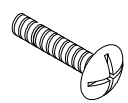
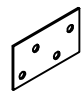

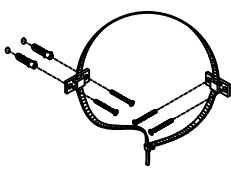
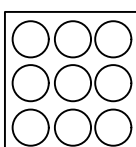
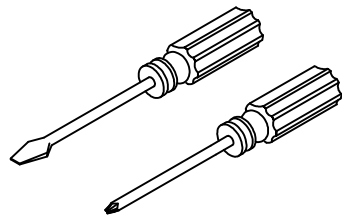
# PARTS LIST

<p>①</p> 	<p>②</p> 	<p>③</p> 	<p>④</p> 
left side panel=1	right side panel=1	bottom panel=1	laminate=1
<p>⑤</p> 	<p>⑥</p> 	<p>⑦</p> 	<p>⑧</p> 
back panel=1	forefoot strip=1	side foot strip=2	back foot strip=1
<p>⑨</p> 	<p>⑩</p> 	<p>⑪</p> 	<p>⑫</p> 
bottom panel=1	back panel=1	front zipper=1	front solid wood foot=1
<p>⑬</p> 	<p>⑭</p> 	<p>⑮</p> 	<p>⑯</p> 
back solid wood foot=1	thicken left panel=1	top panel=1	small drawer panel=1
<p>⑰</p> 	<p>⑱</p> 	<p>⑲</p> 	<p>⑳</p> 
big drawer panel=1	drawer left side panel=2	drawer right side panel=2	small drawer tail panel=1

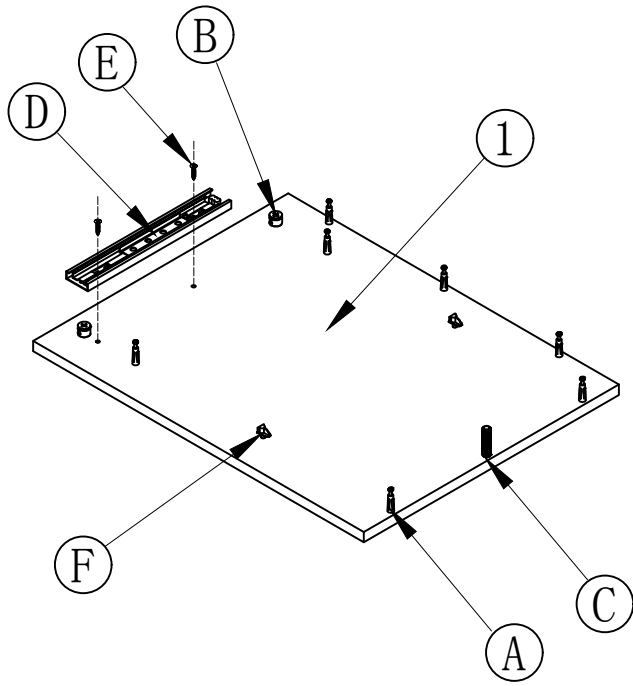
# PARTS LIST

<p>21</p> 	<p>22</p> 	<p>23</p> 	<p>24</p> 
big drawer tail panel=1	big drawer bottom panel=1	small drawer bottom panel=1	door panel=1
<p>25</p> 	<p>26</p> 	<p>27</p> 	<p>28</p> 
handl e=1	upper cabi net=1	movable panel =1	drawer partition panel =2

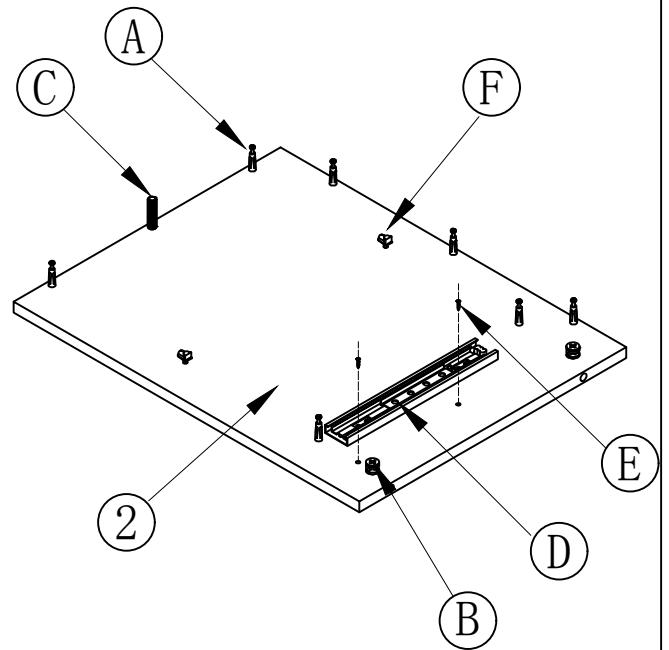
# HARDWARE LIST

<p>(A)</p> 	<p>(B)</p> 	<p>(C)</p> 	<p>(D)</p> 	<p>(E)</p> 
3 in 1 rods=58	3 in 1 camlocks=58	8*40 wood dowel=16	10 inch guide rails=2	3.5*12 self-tapping screws=30
<p>(F)</p> 	<p>(G)</p> 	<p>(H)</p> 	<p>(I)</p> 	<p>(J)</p> 
laminates support=4	4*25 self-tapping screws=18	golden handle=3	4*18 handle screws=3	wooden handle=2
<p>(K)</p> 	<p>(L)</p> 	<p>(M)</p> 	<p>(N)</p> 	<p>(O)</p> 
4*32 handle screws=2	large curved door hinge=2	4*16 self-tapping screws=20	6*20 big flat screws=2	iron sheet=2
<p>(P)</p> 	<p>(Q)</p> 	<p>(R)</p>	<p>(S)</p> 	<p>(T)</p>
wool pad=6	anti fall device=1set	decoration box=1	hole sticker=10	
<p>(U)</p>	<p>(V)</p>	<p>(W)</p>		
			phillips head screw driver required for assemble---not include	

## Step 1

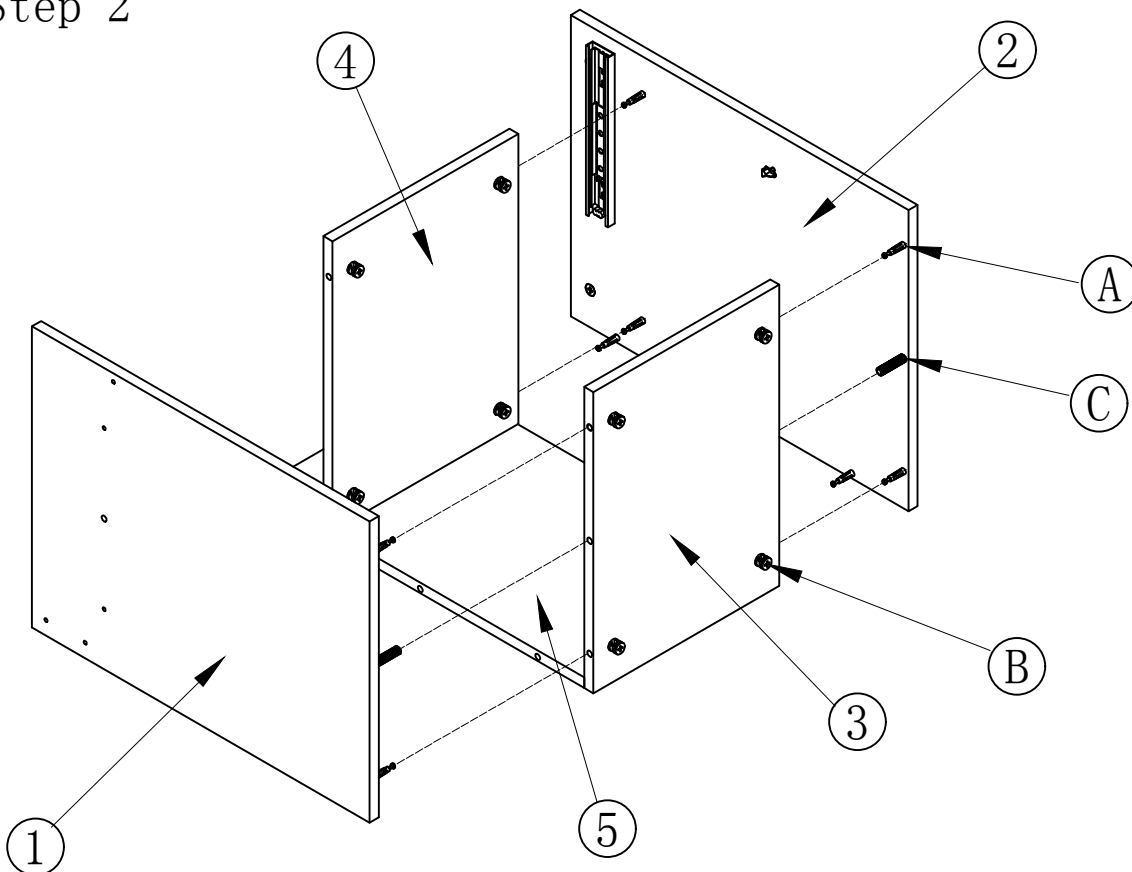


Pre-installed Part A, B, C, F.  
Then install the (D) guide rails with (E)  
according to the position of the lead hole.



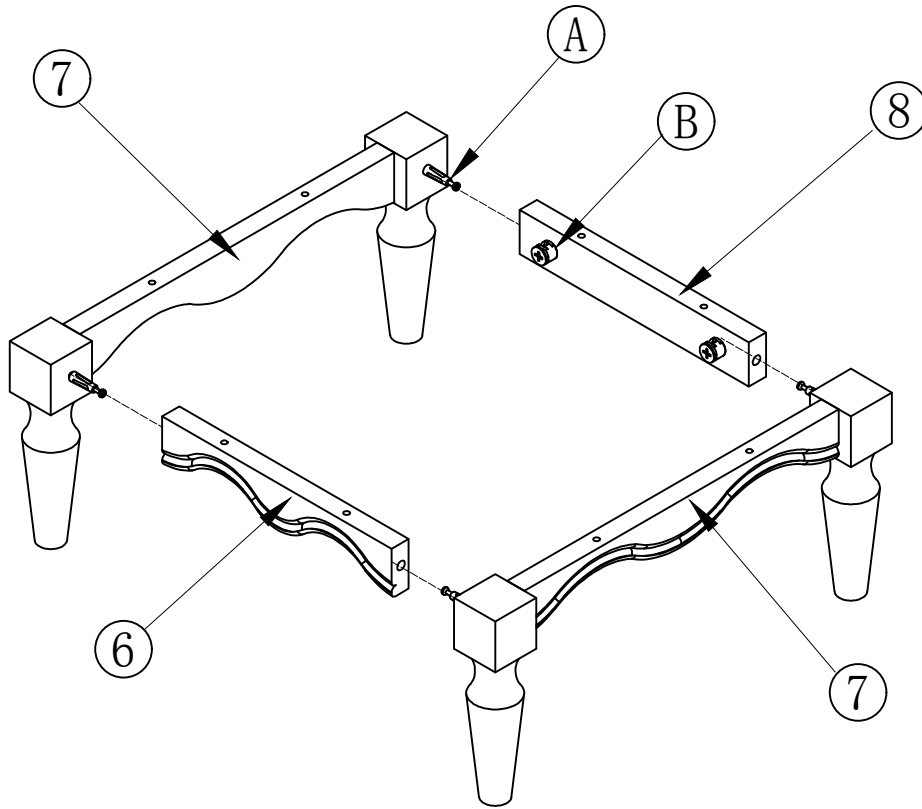
Pre-installed Part A, B, C, F  
Install the (D) guide rails with (E)  
according to the position of the lead hole.

## Step 2



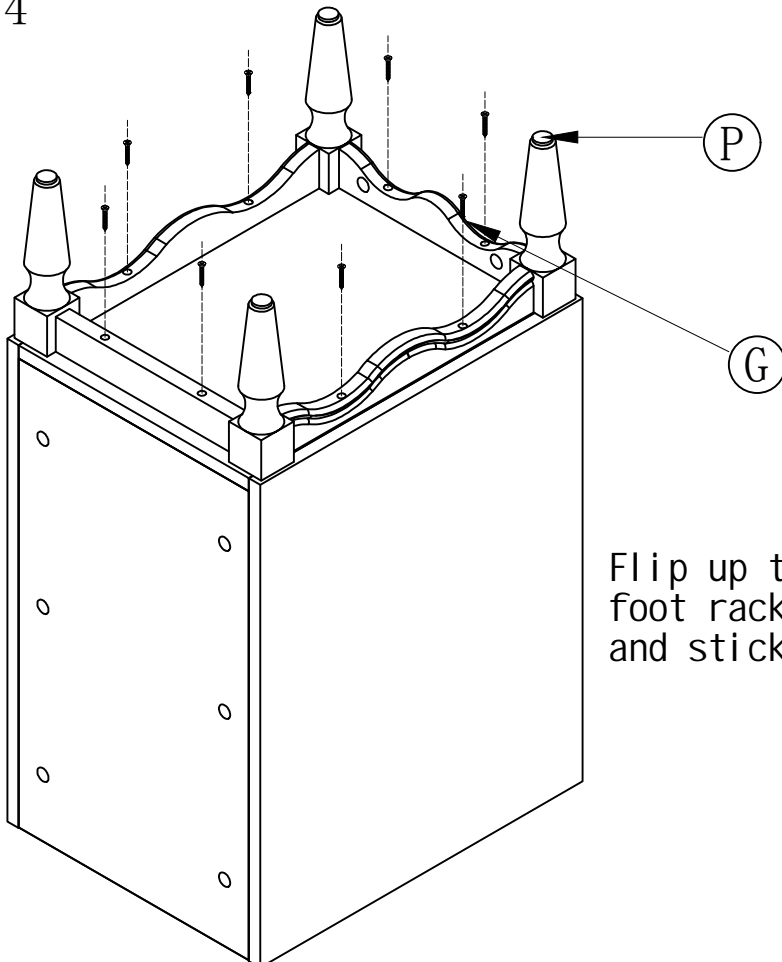
Connect ①②③④⑤ with (A) (B) (C).

### Step 3



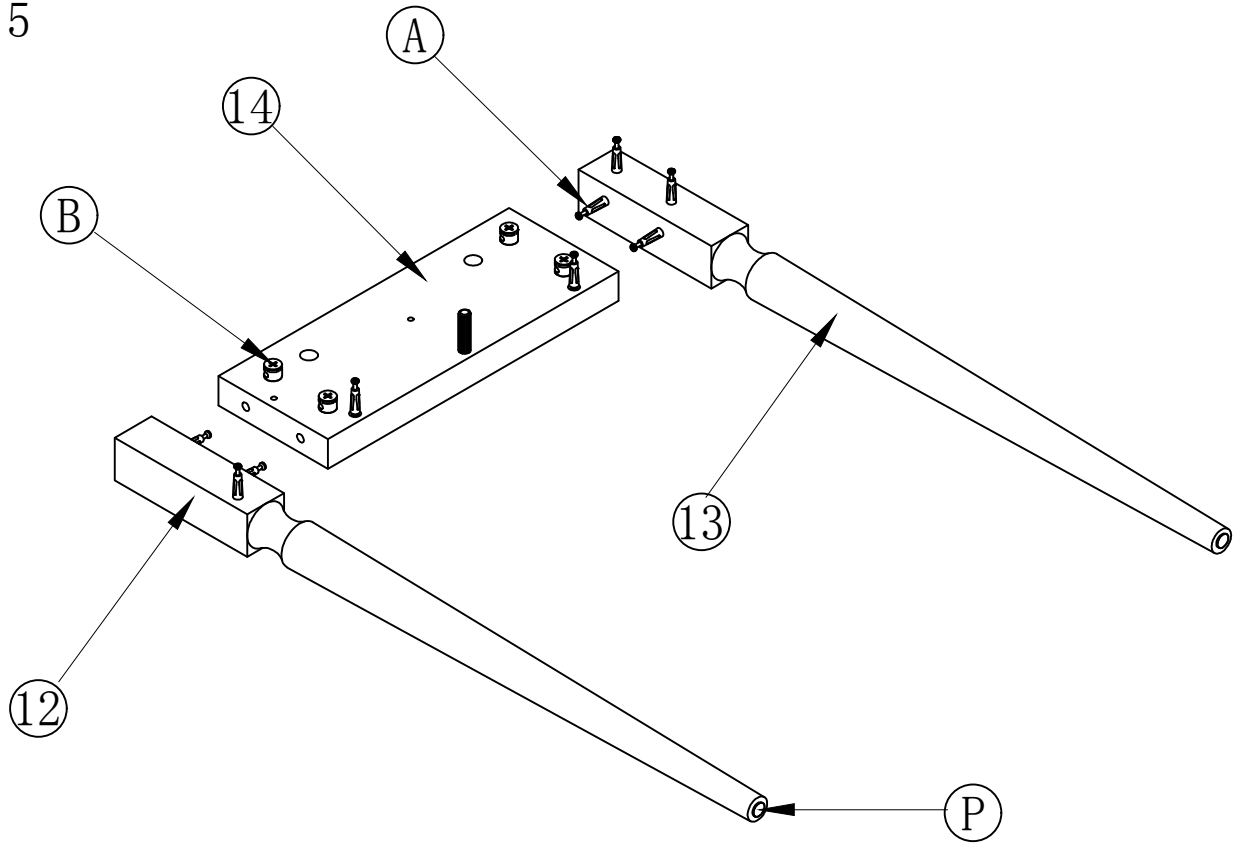
Connect ⑥⑦⑧ with (A)(B).

### Step 4



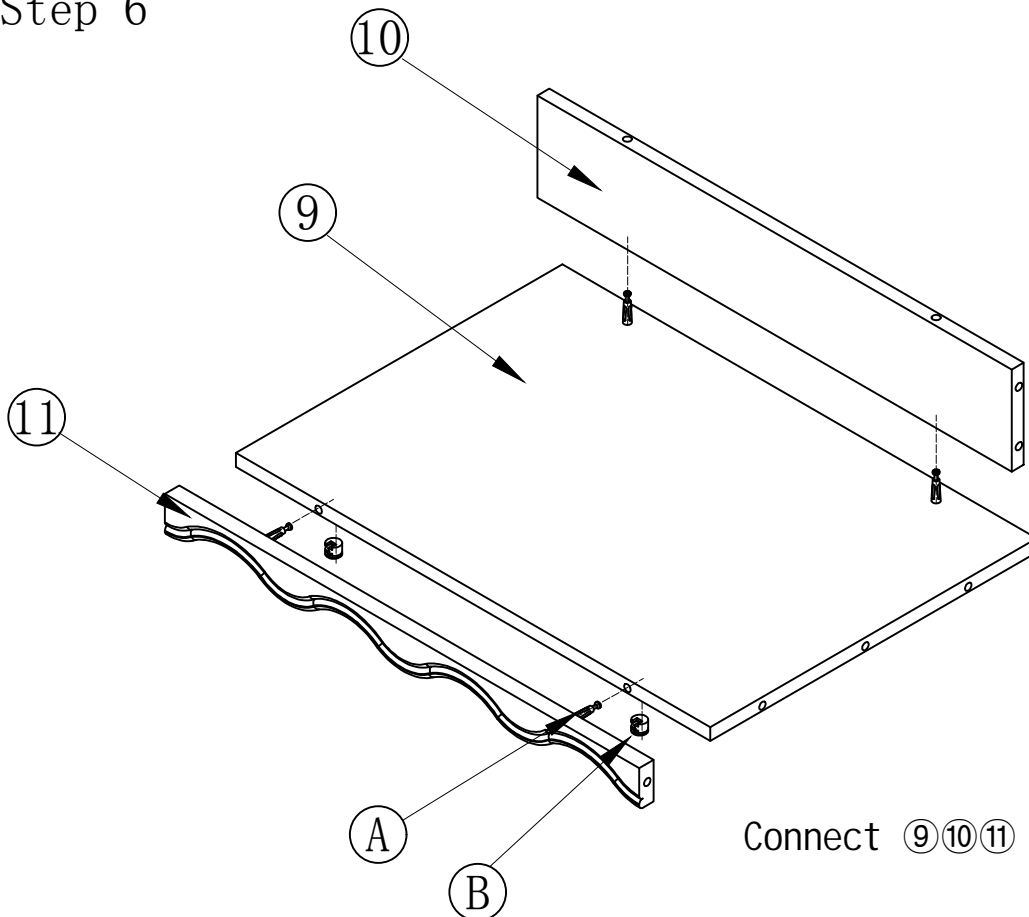
Flip up the cabinet, then put the foot rack on, tighten up with (G), and stick on (P).

### Step 5



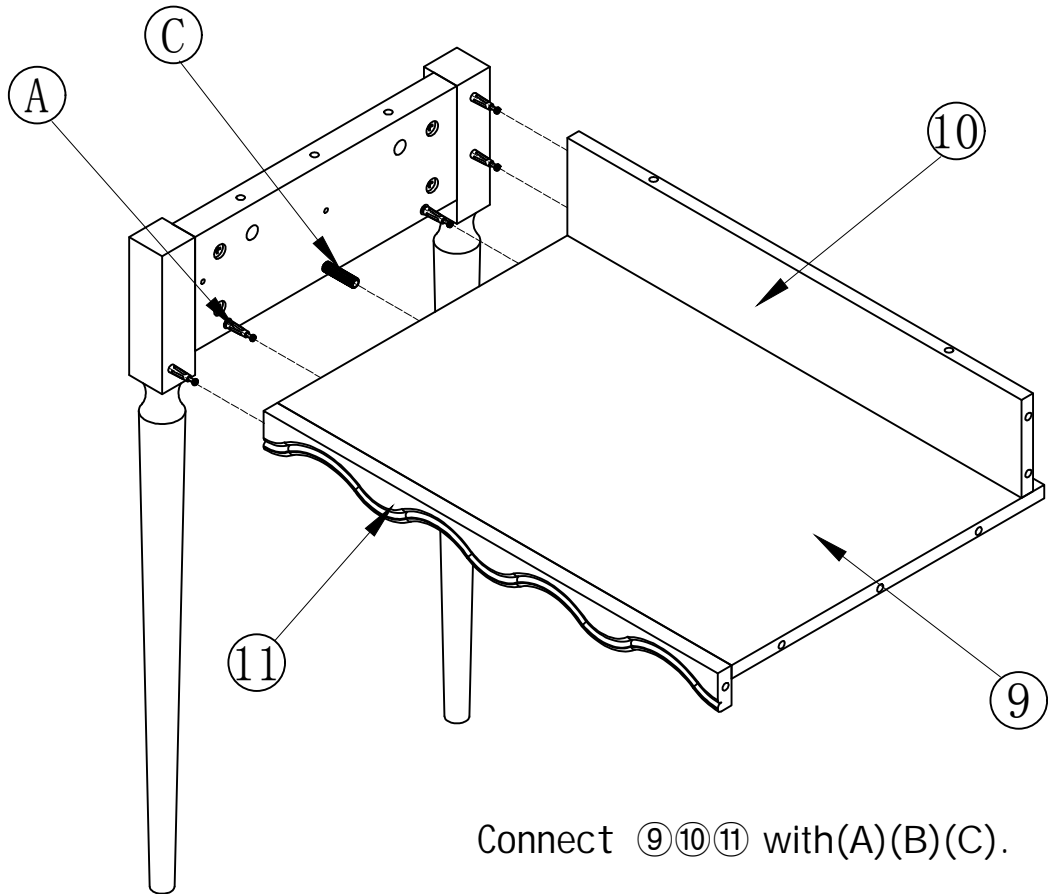
Connect ⑫⑬⑭ with (A)(B),  
then stick on (P).

### Step 6

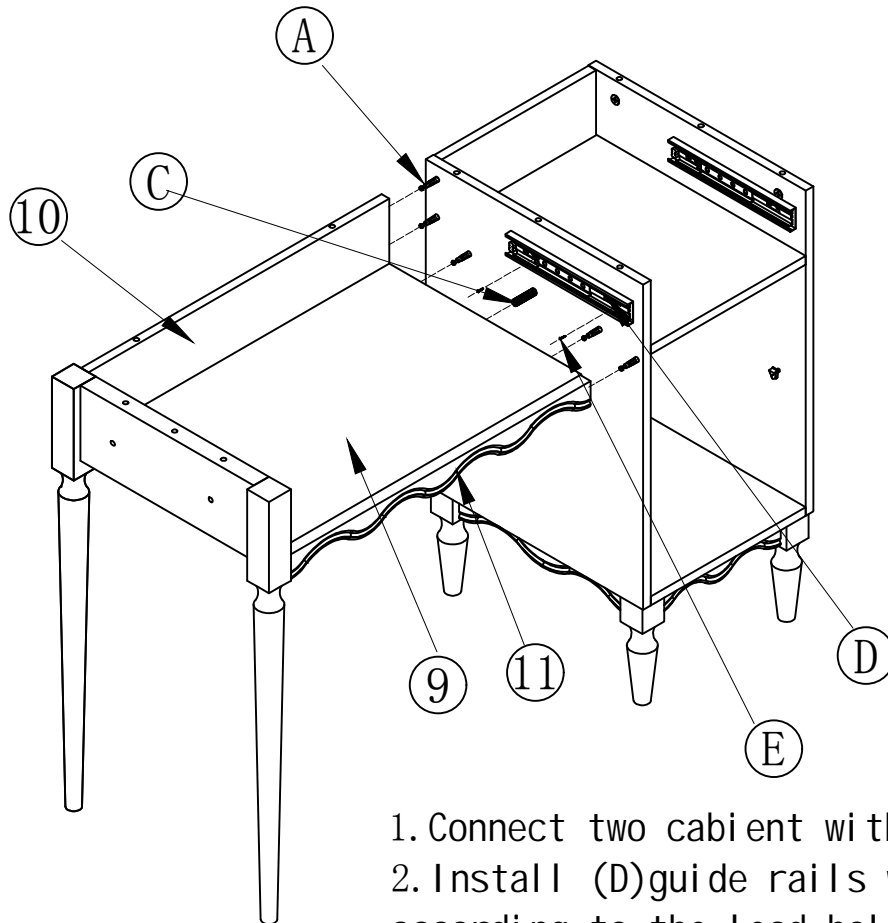


Connect ⑨⑩⑪ with (A)(B).

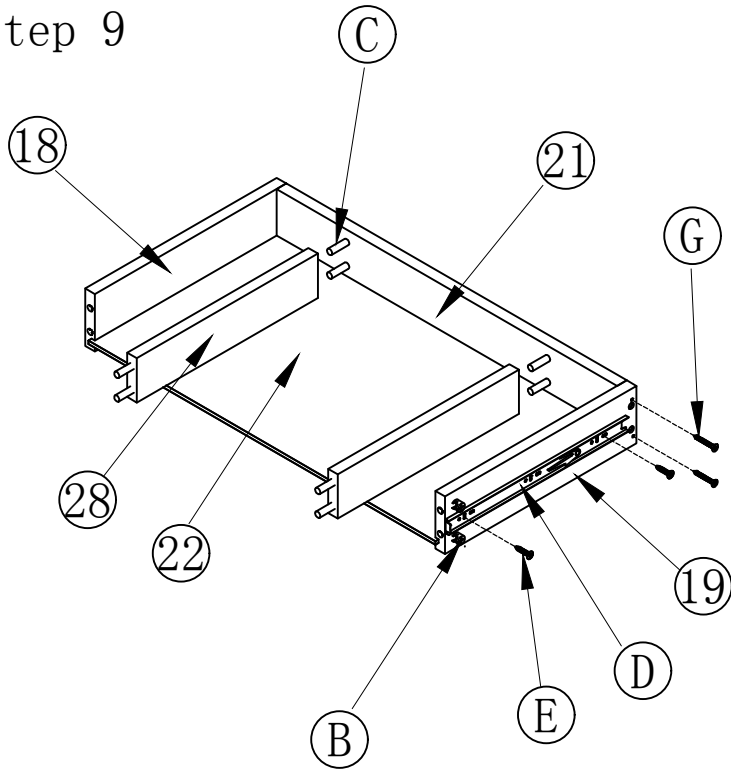
## Step 7



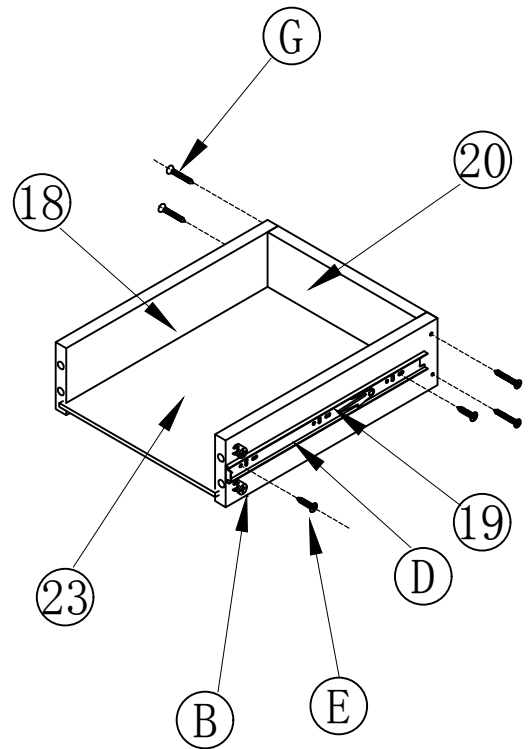
## Step 8



### Step 9

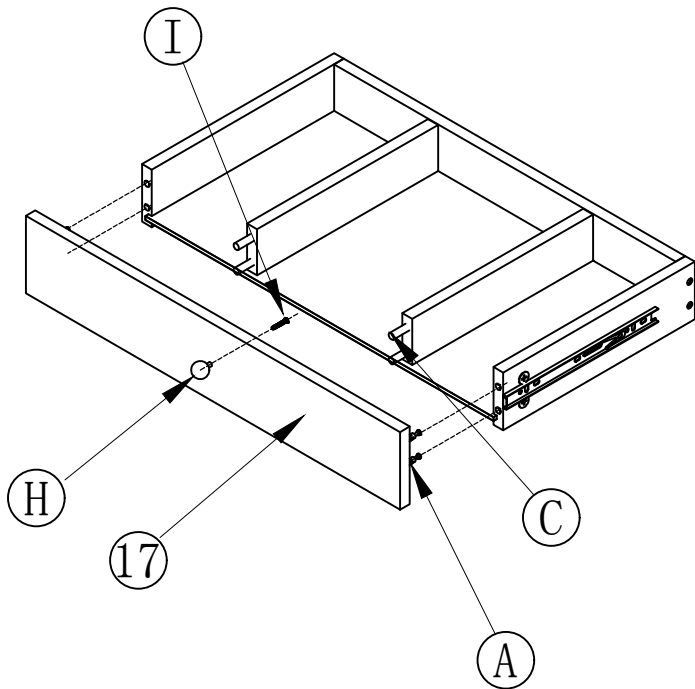


1. Install (D) guide rails with (E) according to the lead hole position.
2. Connect (18) (19) (21) (22) with (G).
3. Connect (21) (28) with (C).

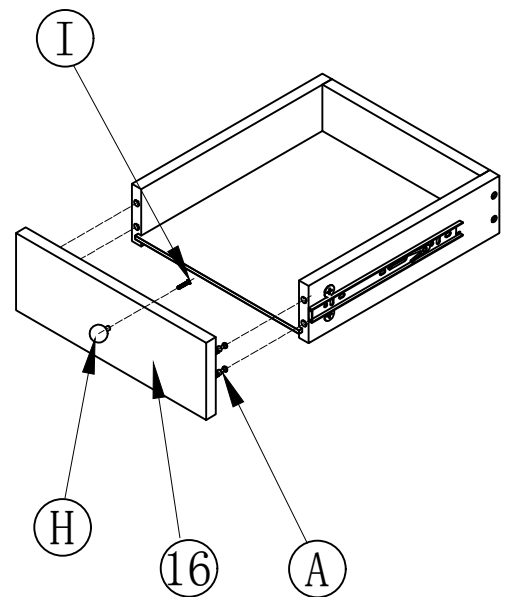


1. Install (D) guide rails with (E) according to the lead hole position.
2. Connect (18) (19) (20) (23) with (G).

### Step 10

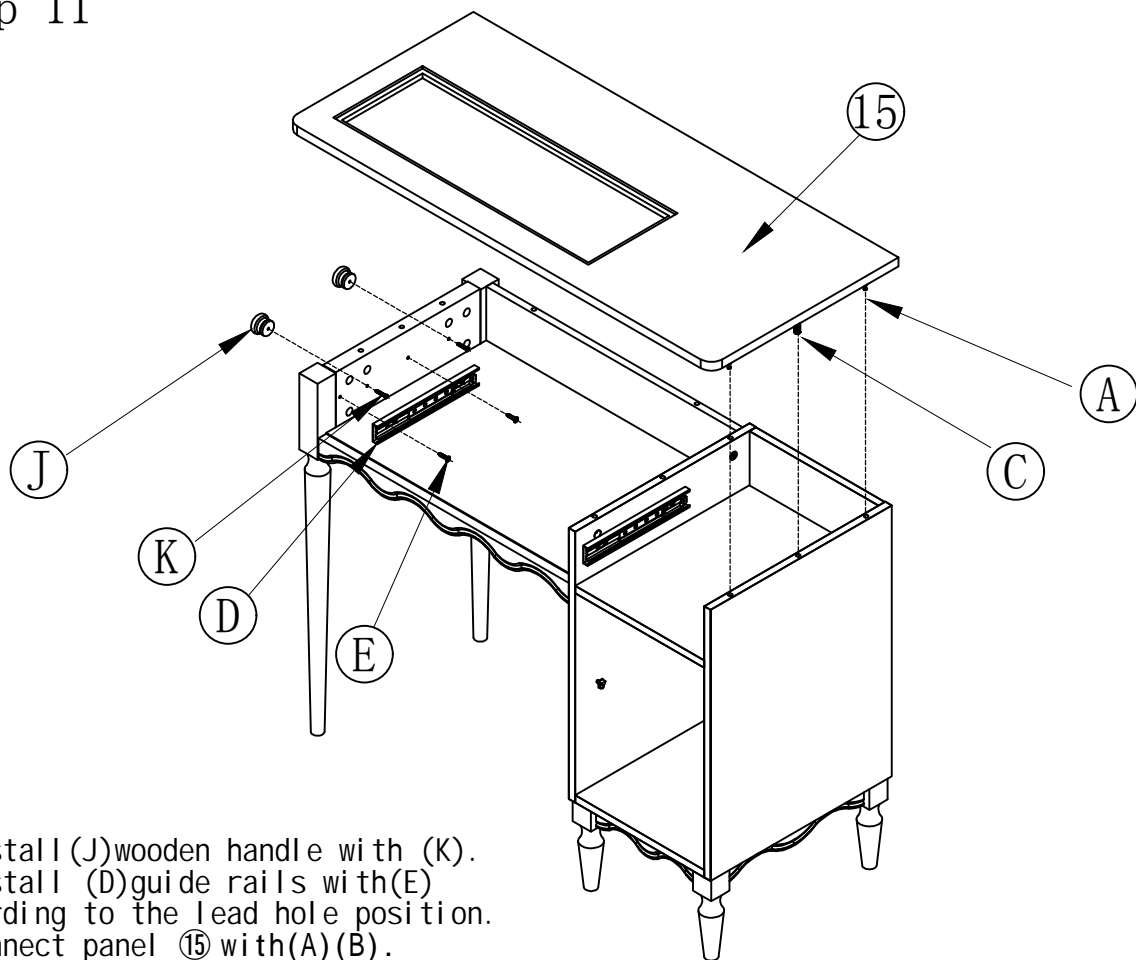


1. Connect (17) big drawer panel to the drawers with (A) (B) (C).
2. Install (H) golden handle with (I).



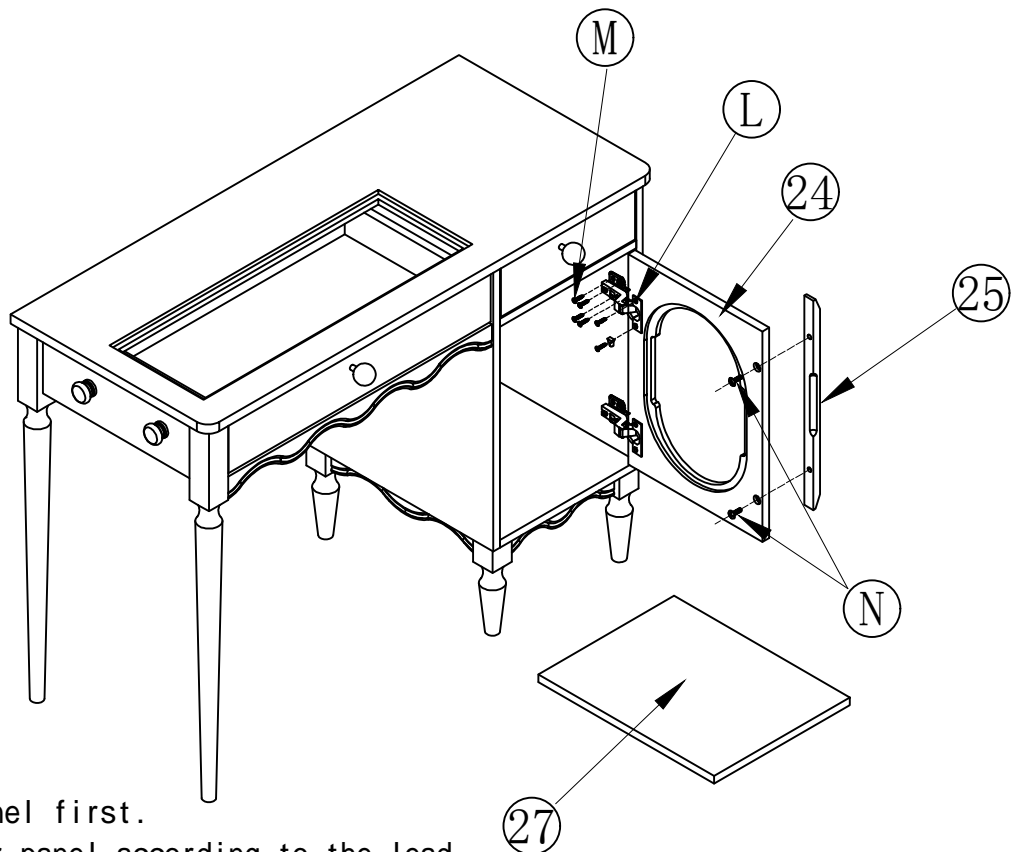
1. Connect (16) small drawer panel to the drawer with (A) (B) (C).
2. Install (H) golden handle with (I).

## Step 11



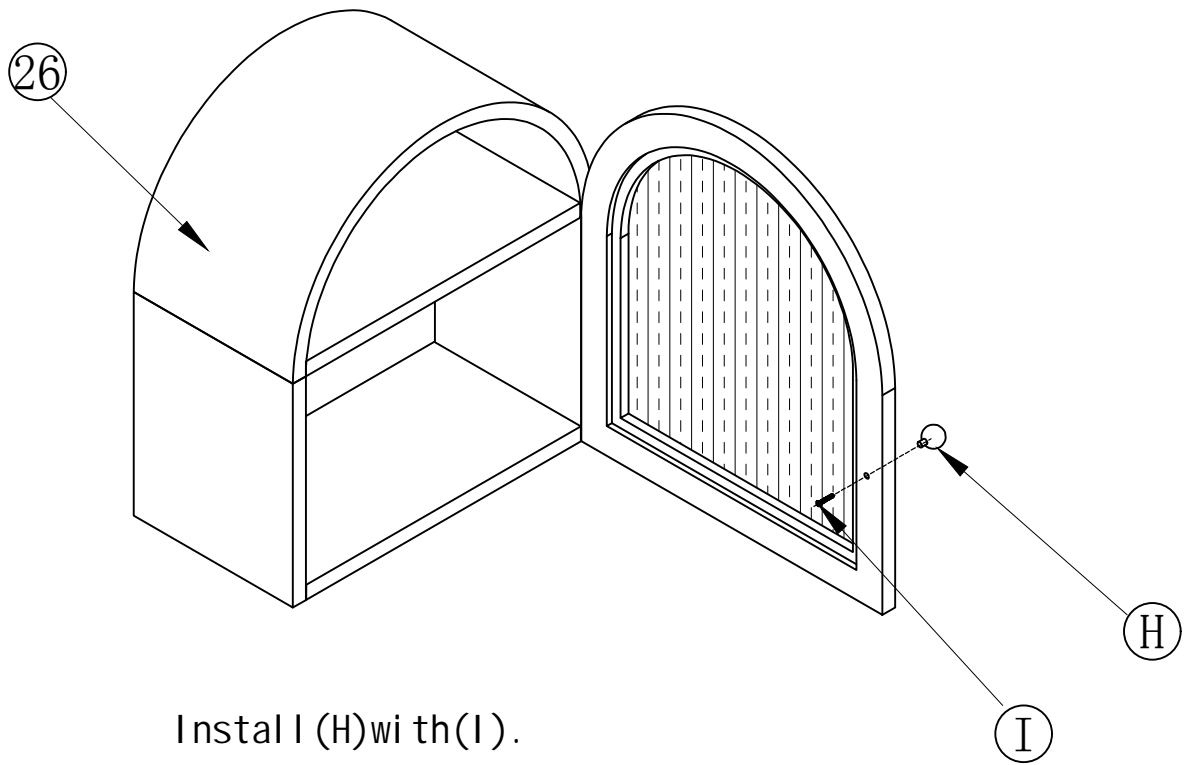
1. Install (J) wooden handle with (K).
2. Install (D) guide rails with (E) according to the lead hole position.
3. Connect panel ⑮ with (A) (B).

## Step 12

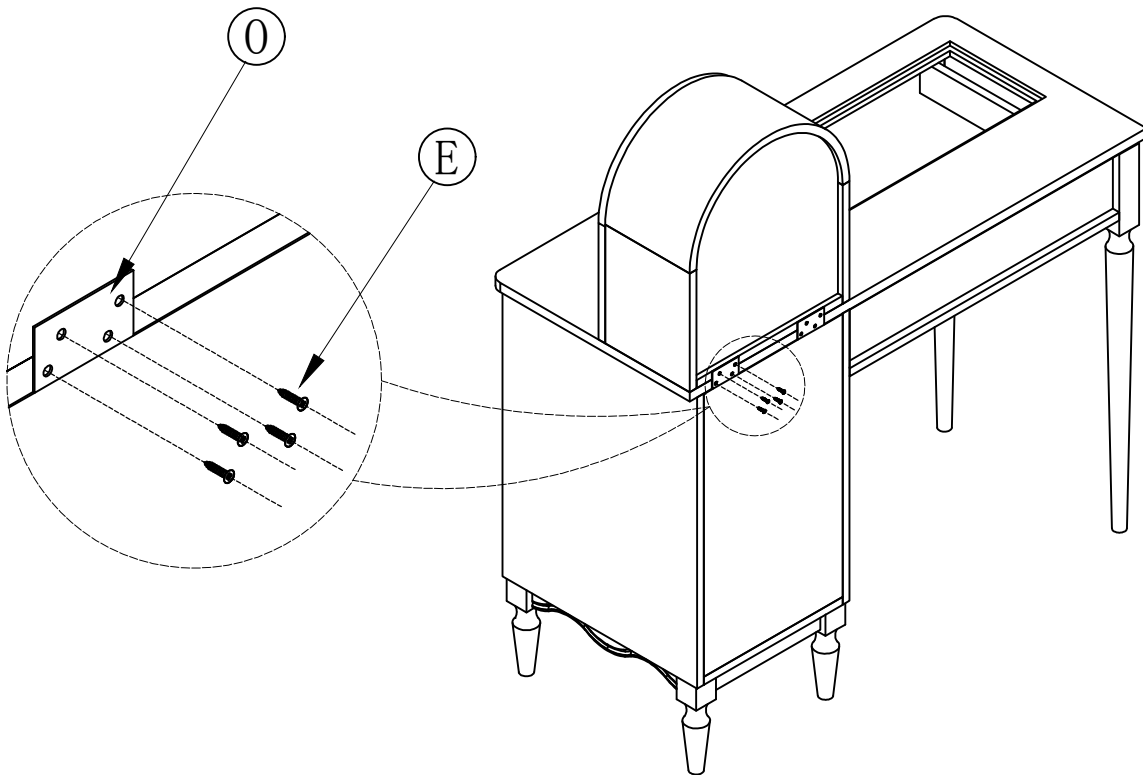


1. Put (27) top panel first.
2. Install (24) door panel according to the lead hole position with (L) and (M).
3. Install (25) with (N).

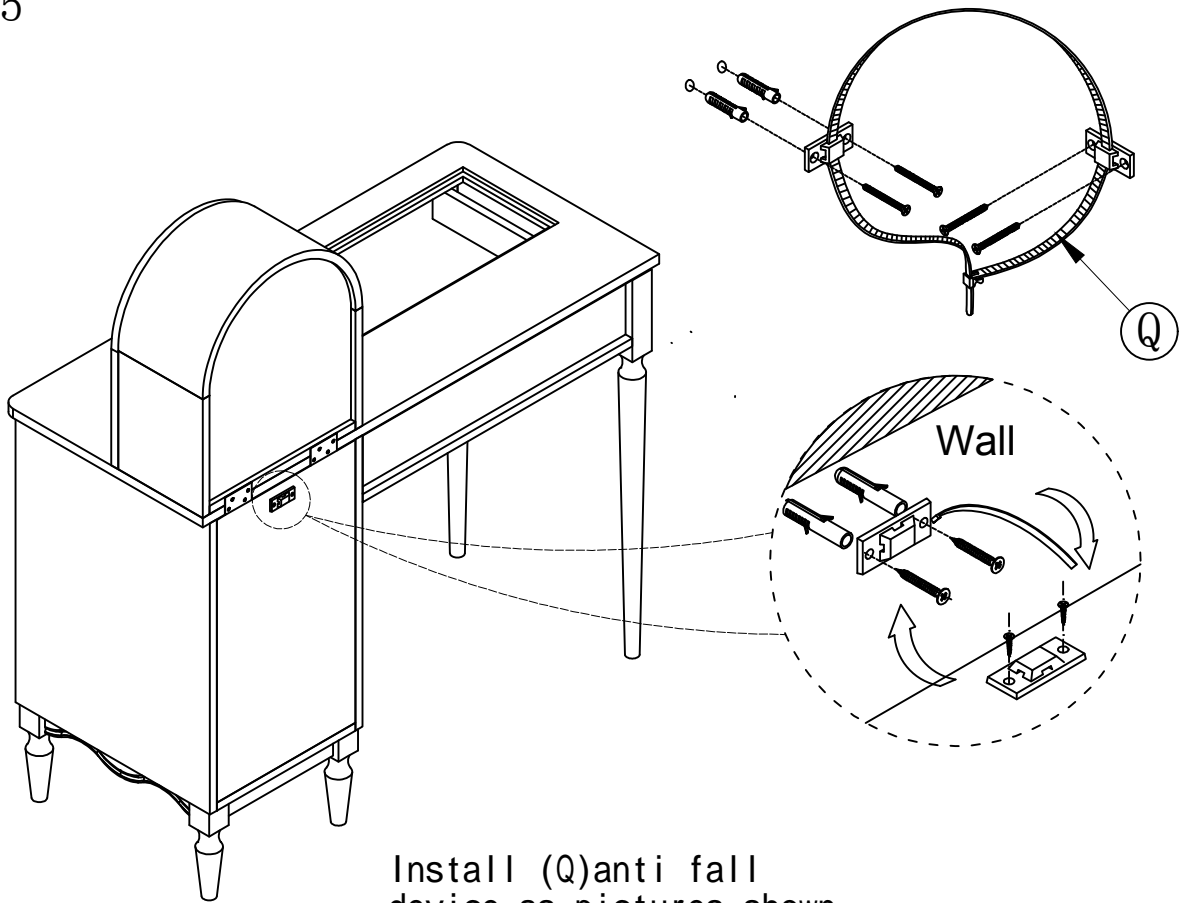
Step 13



Step 14



Step 15



Install (Q) anti fall device as pictures shown.

Step 16

