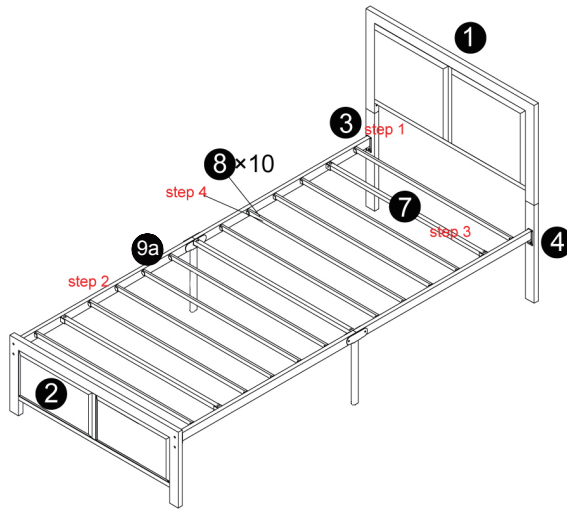


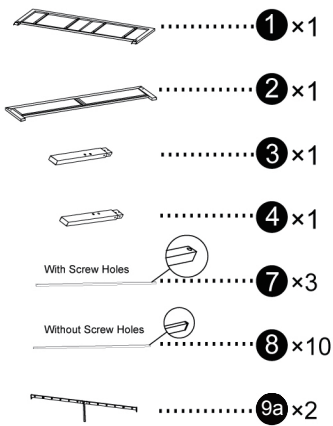
# Bed Frame Installation Manual

**#NumberSystem**

Easy assembly by following step 1、step 2、step 3...



## Componets



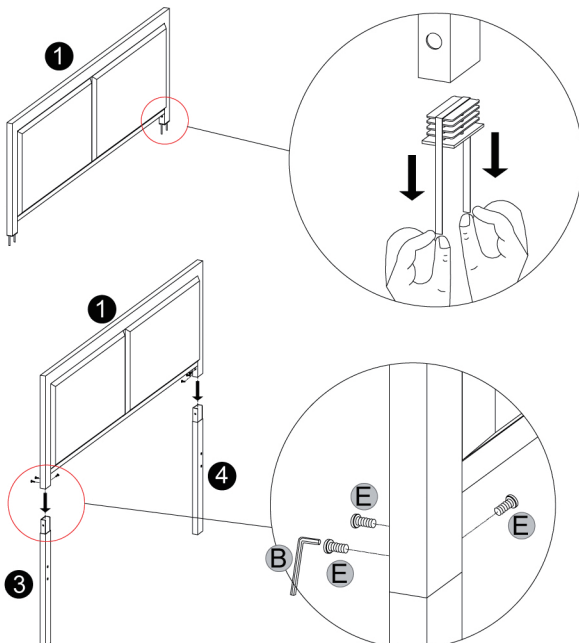
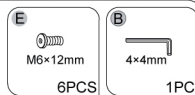
## Screws & Tools

A		M8×50mm	×4
B		4×4mm	×2
C		M6×30mm	×6
D		M6×20mm	×4
E		M6×12mm	×6
F			×4
G			×8

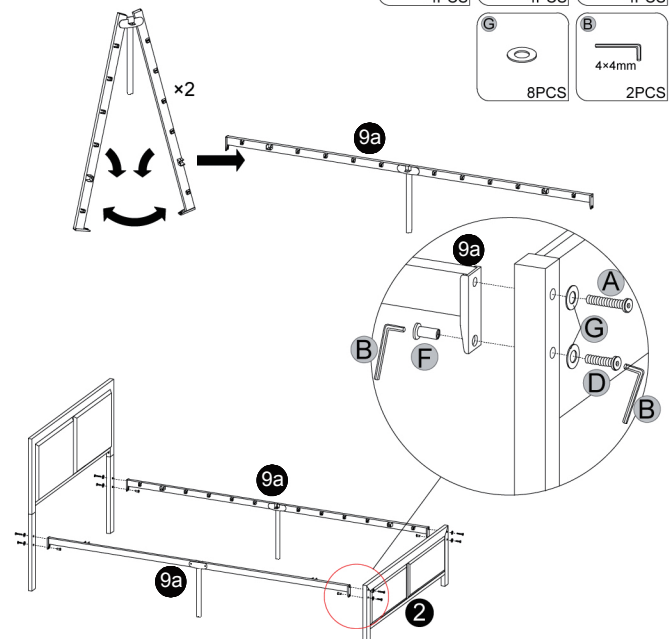
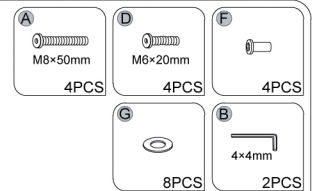
Check all the components & screws before assembly. Do not install in case part is missing, contact us to get.

**1**

Note: For easy setup intention, do not tighten screws during the installation process

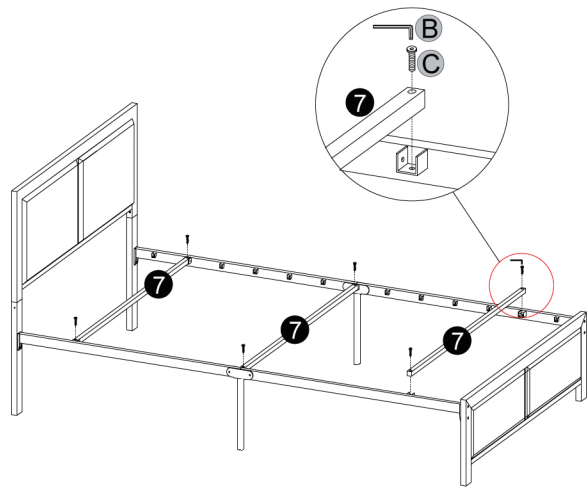


**2**

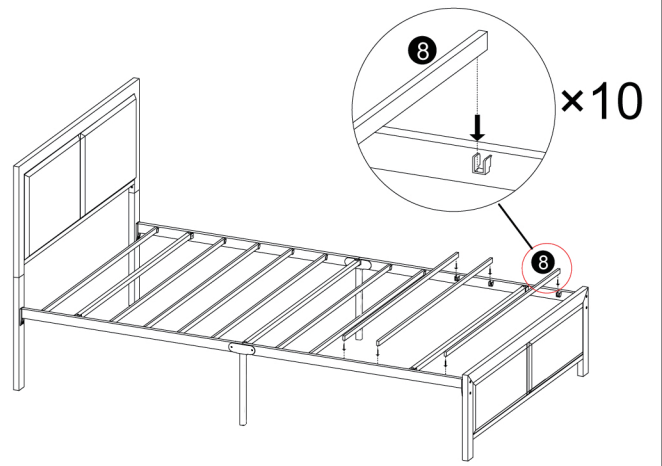


3

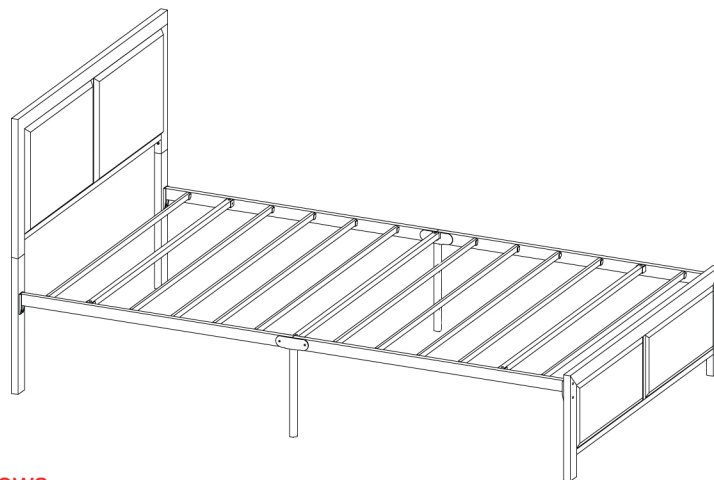
C M6×30mm 6PCS  
 B 4×4mm 1PC



4



5



Note:  
 Check and tighten all screws

**CAUTIONS!**

