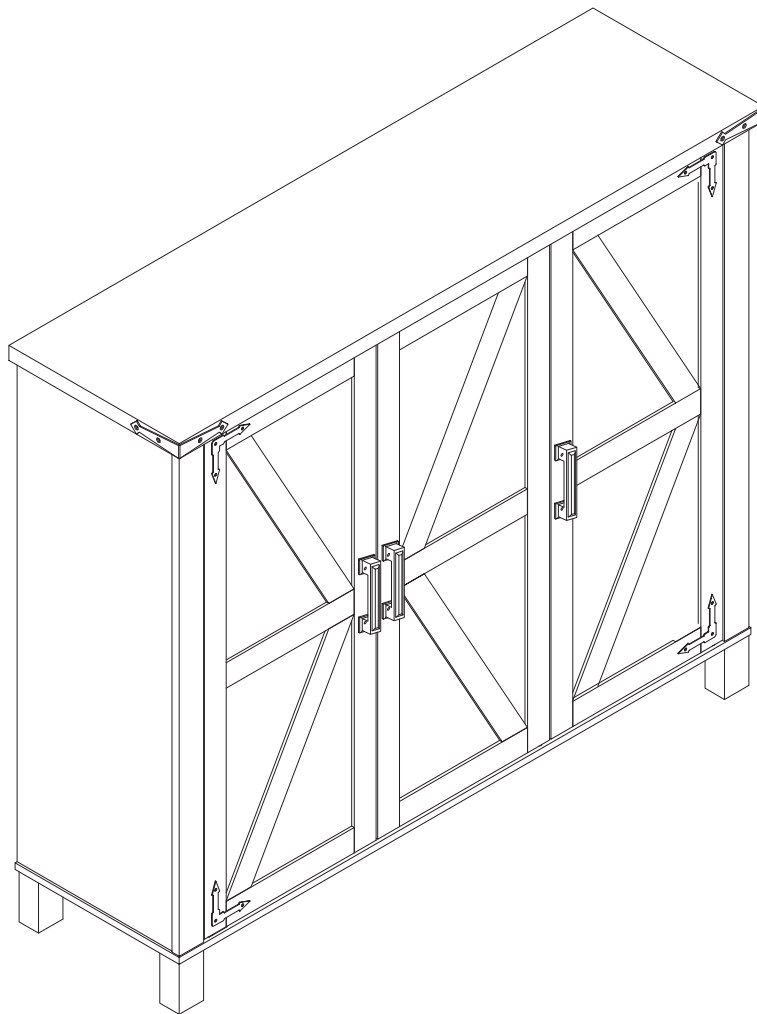


Shoes Cabinet Instruction Manual

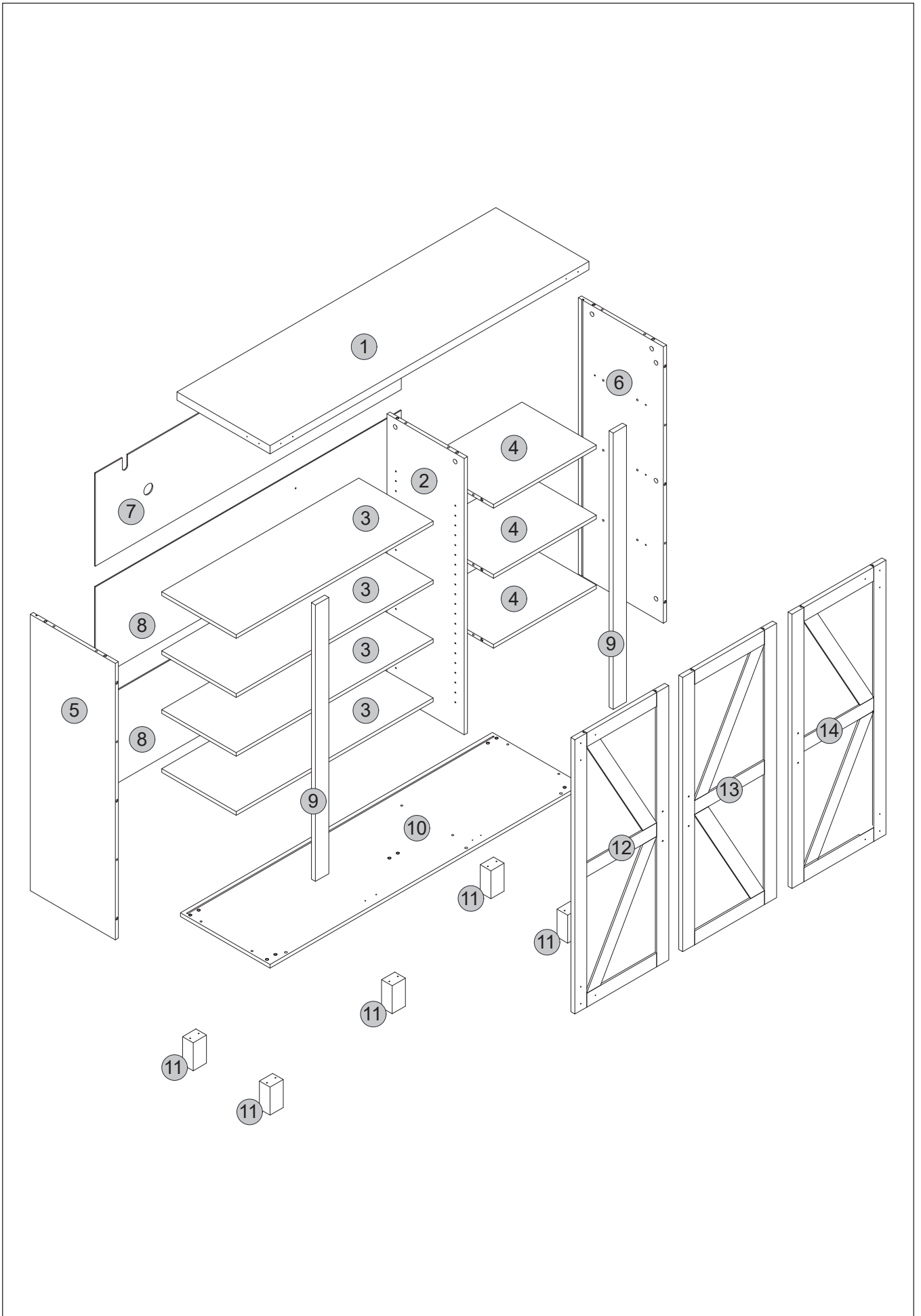
Note: There is also a more detailed installation video on the product detail page on website.



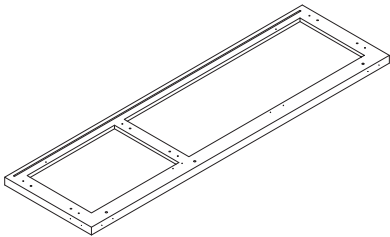
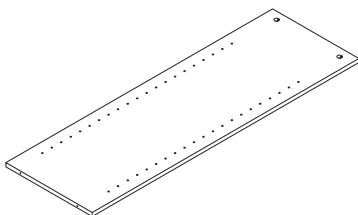
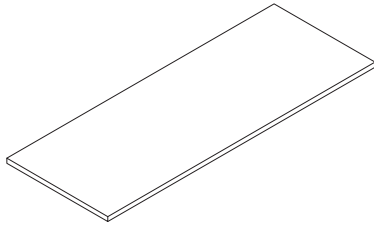
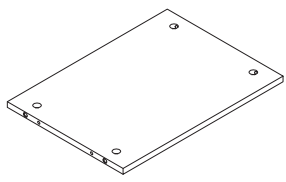
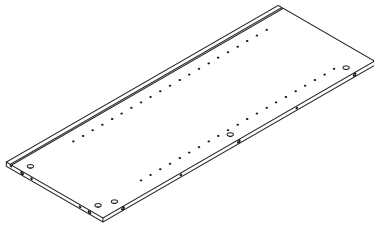
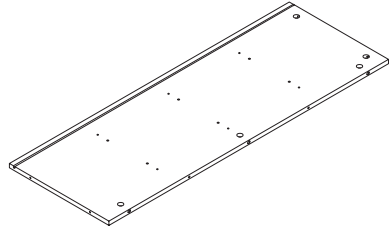
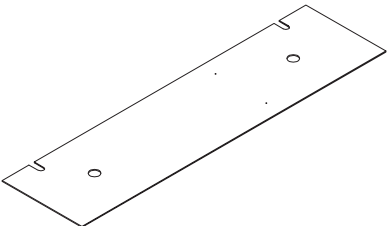
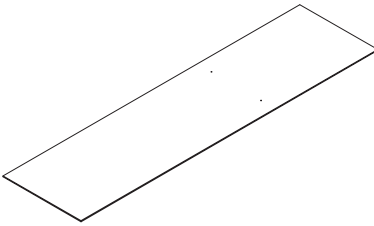
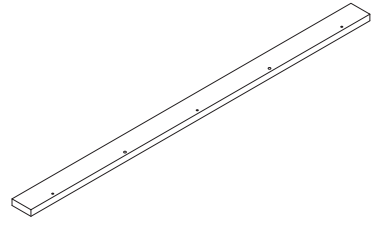
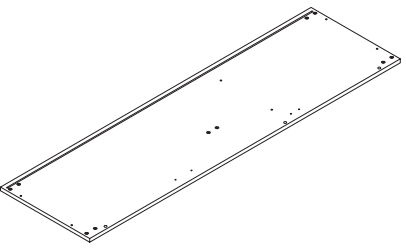
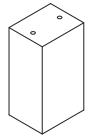
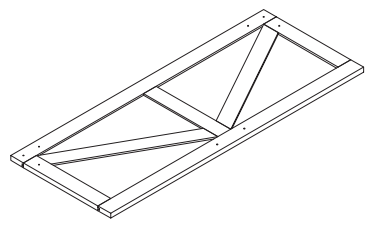
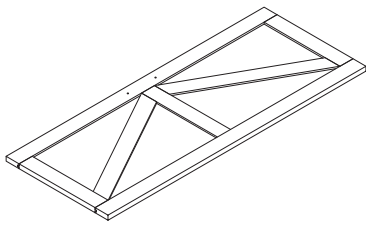
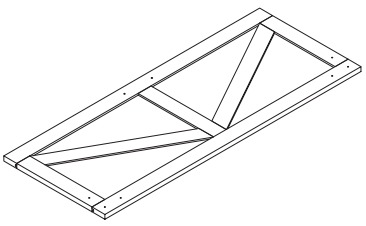

 E-mail: support@allstand.net

QR code for installation video

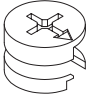
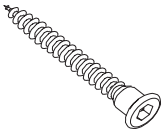
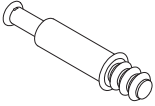
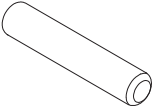
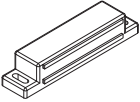
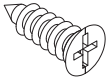
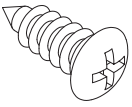
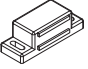
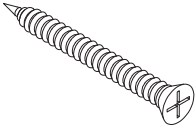
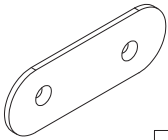
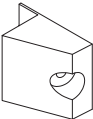
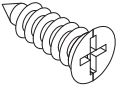
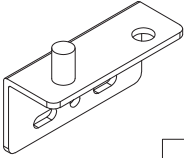
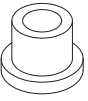

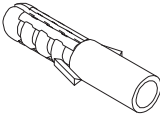
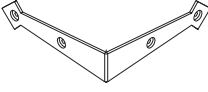
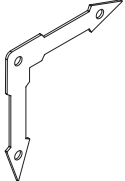
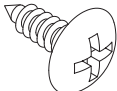

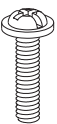
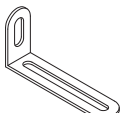

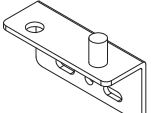
Parts List(EN)



Parts List(EN)

<p>① 1 PC</p> 	<p>② 1 PC</p> 	<p>③ 4 PCS</p> 
<p>④ 3 PCS</p> 	<p>⑤ 1 PC</p> 	<p>⑥ 1 PC</p> 
<p>⑦ 1 PC</p> 	<p>⑧ 2 PCS</p> 	<p>⑨ 2 PCS</p> 
<p>⑩ 1 PC</p> 	<p>⑪ 5 PCS</p> 	<p>⑫ 1 PC</p> 
<p>⑬ 1 PC</p> 	<p>⑭ 1 PC</p> 	<p>Installation tools</p>  <p>x1 x1</p>

Parts List(EN)

<p>A</p>  <p>24+2 PCS</p>	<p>B</p>  <p>16+2 PCS</p>	<p>C</p>  <p>24+2 PCS</p>
<p>D</p>  <p>22+2 PCS</p>	<p>E</p>  <p>2 PCS</p>	<p>F</p>  <p>12+1 PCS</p>
<p>G</p>  <p>32+3 PCS</p>	<p>H</p>  <p>2 PCS</p>	<p>I</p>  <p>2+1 PCS</p>
<p>J</p>  <p>6 PCS</p>	<p>K</p>  <p>16+2 PCS</p>	<p>L</p>  <p>16+2 PCS</p>
<p>M</p>  <p>3 PCS</p>	<p>N</p>  <p>6 PCS</p>	<p>O</p>  <p>16+1 PCS</p>
<p>P</p>  <p>2+1 PCS</p>	<p>Q</p>  <p>2 PCS</p>	<p>R</p>  <p>4 PCS</p>
<p>S</p>  <p>22+2 PCS</p>	<p>T</p>  <p>3 PCS</p>	<p>U</p>  <p>6+1 PCS</p>
<p>V</p>  <p>2 PCS</p>	<p>W</p>  <p>2 PCS</p>	<p>X</p>  <p>3 PCS</p>

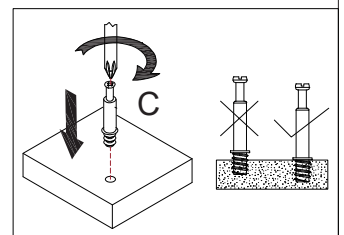
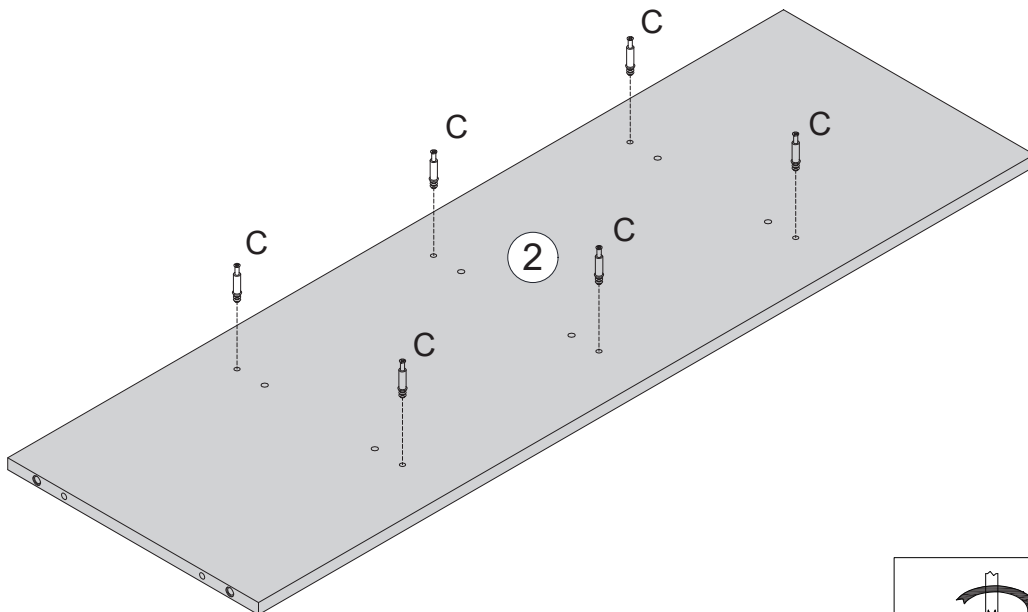
Assembly Steps(EN)



MATTERS NEEDING ATTENTION

1. To make sure you finish the installation in shortest time and easiest way, please strictly follow the steps of the instruction (**especially step 16-step 22**). If you have a helper, the installation will be certainly easier.
2. Some parts of the shoes cabinet have sharp edges, so please be attentive to scratches when installing.
3. Due to the small size of some screws, please put them in a safe position when installing them to avoid accidental ingestion.
4. We offer customers a free lifetime warranty. If you need help regarding product issues, after-sales service or other relevant problems, please contact us via the email provided on the cover.

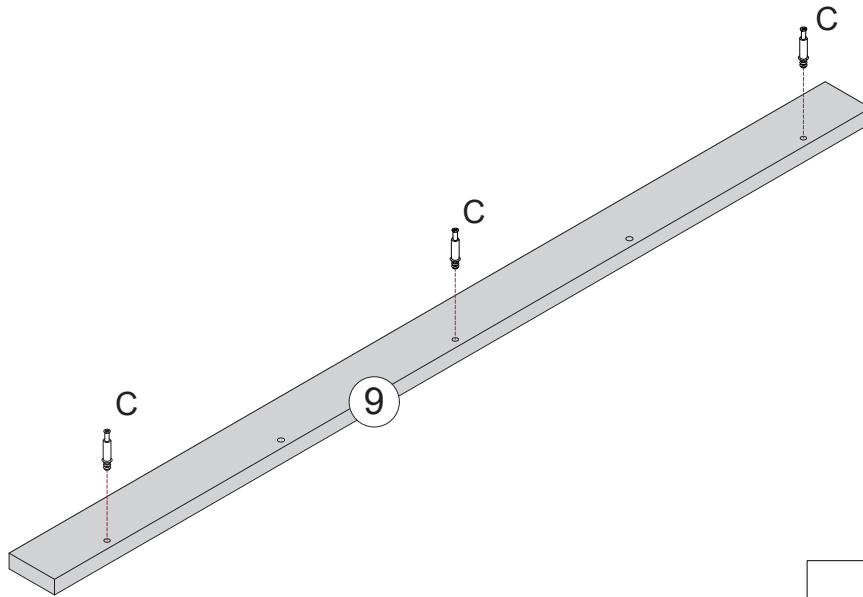
STEP 1



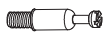
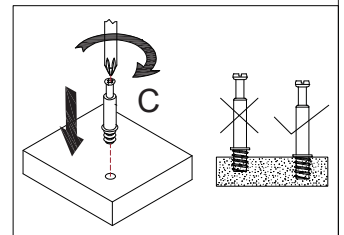
C x 6PCS

Assembly Steps(EN)

STEP 2

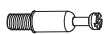
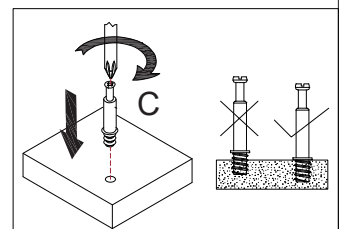
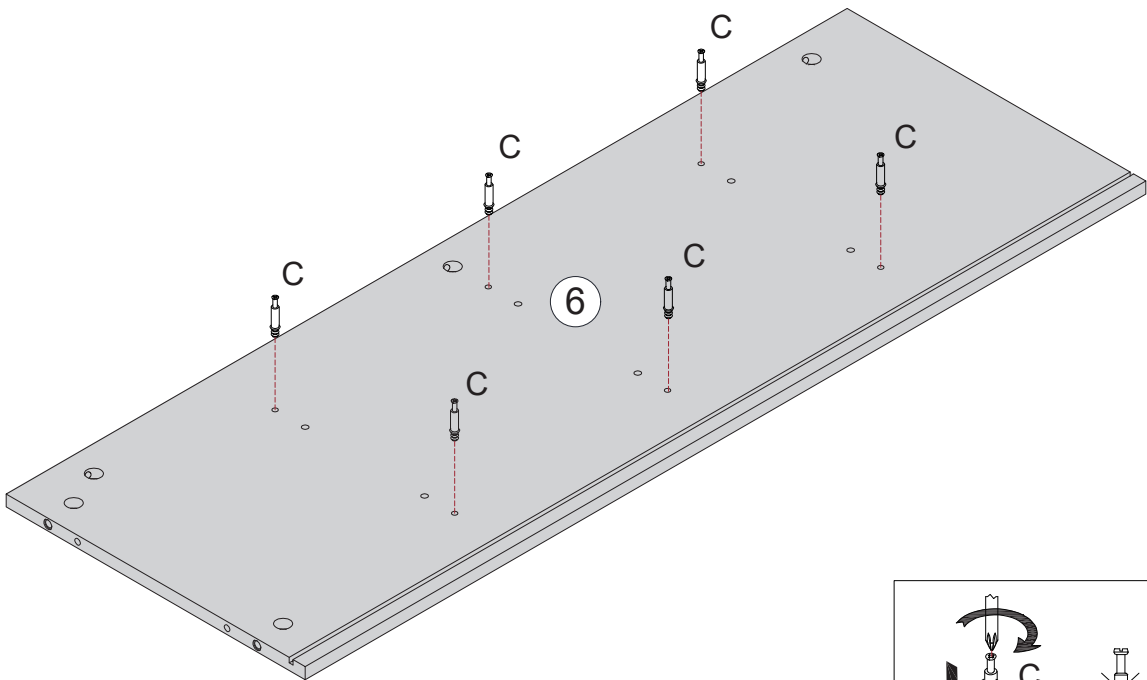


x2



C x 6PCS

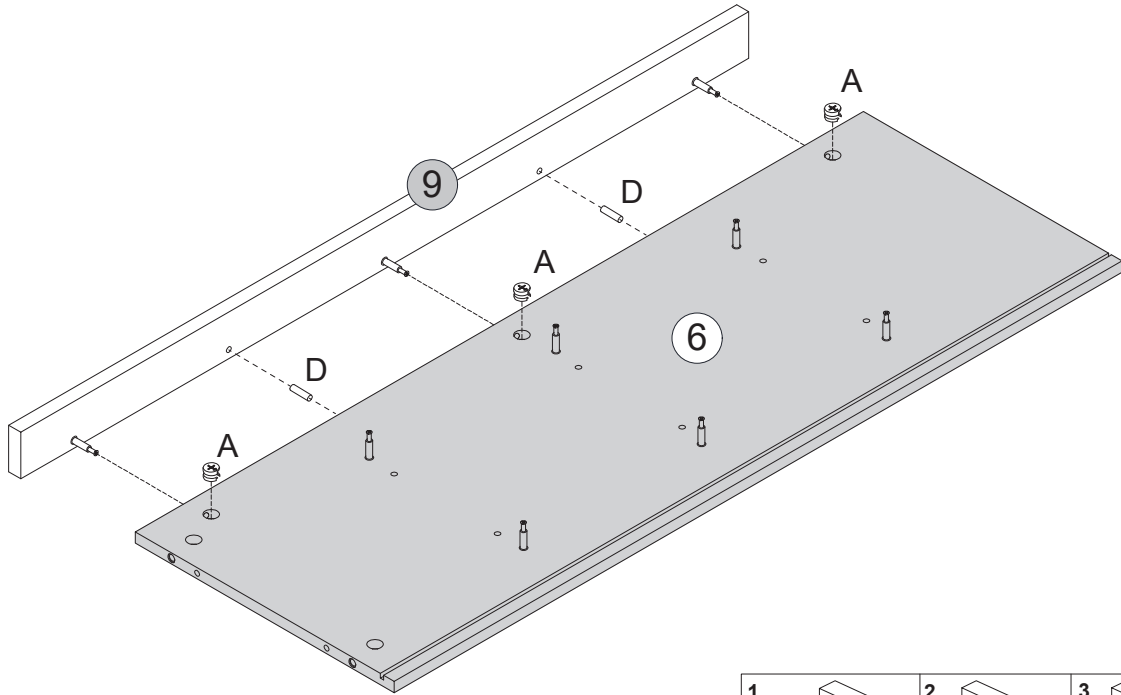
STEP 3





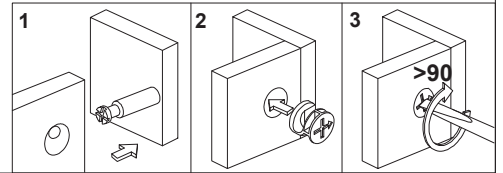
C x 6PCS

Assembly Steps(EN)

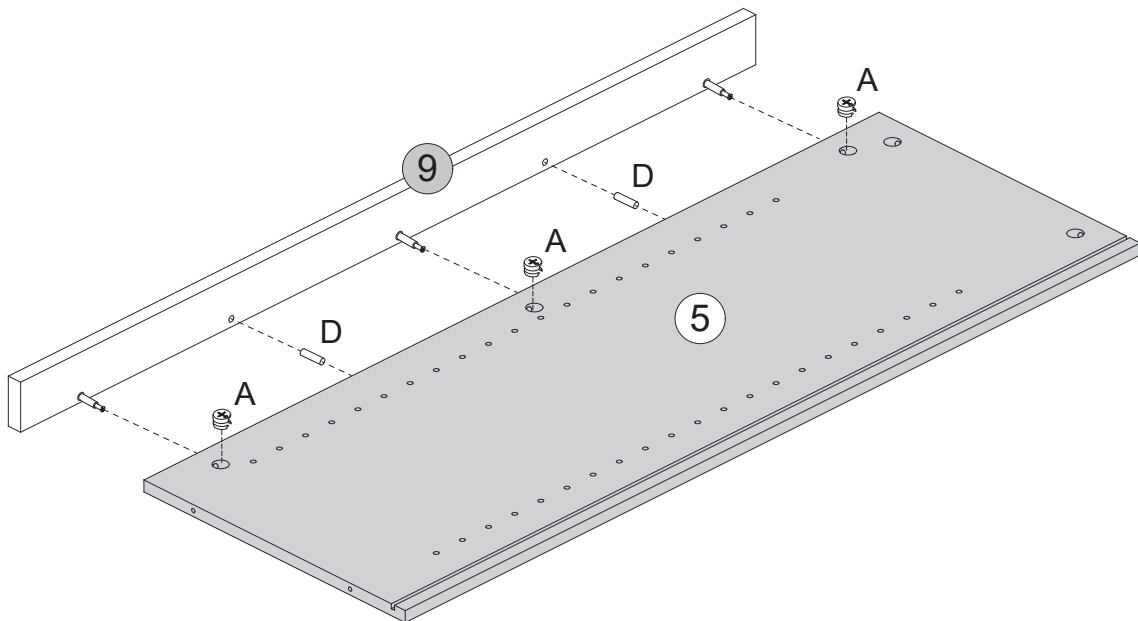
STEP 4





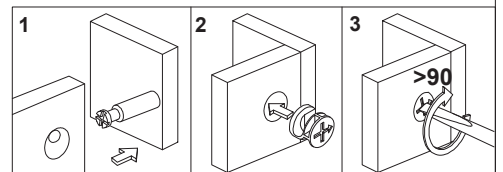
	D x 2PCS
	A x 3PCS



STEP 5

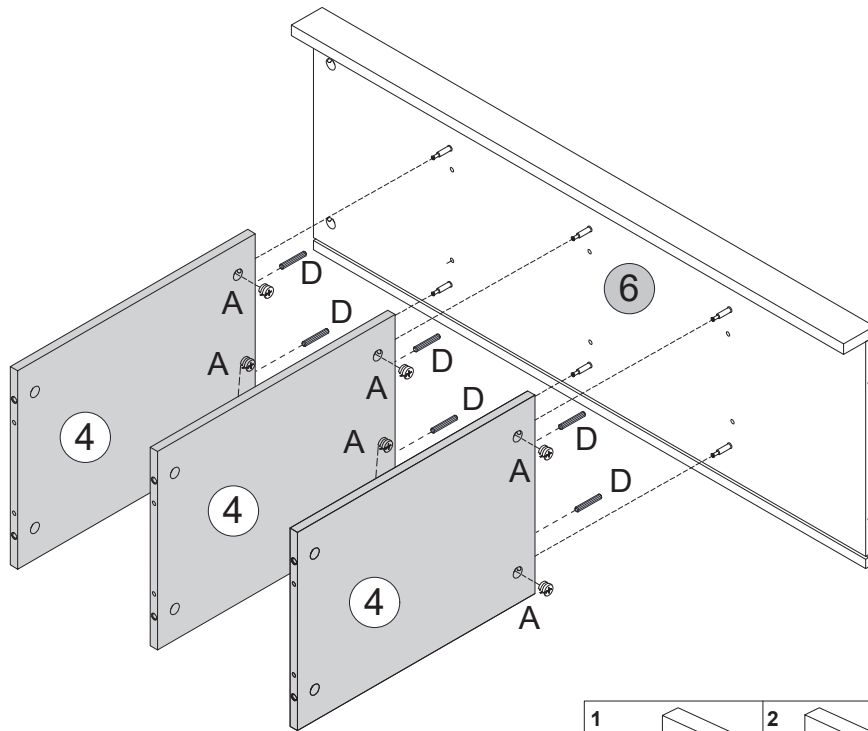




	D x 2PCS
	A x 3PCS

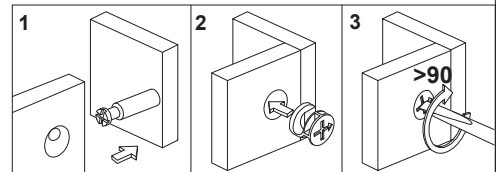


Assembly Steps(EN)

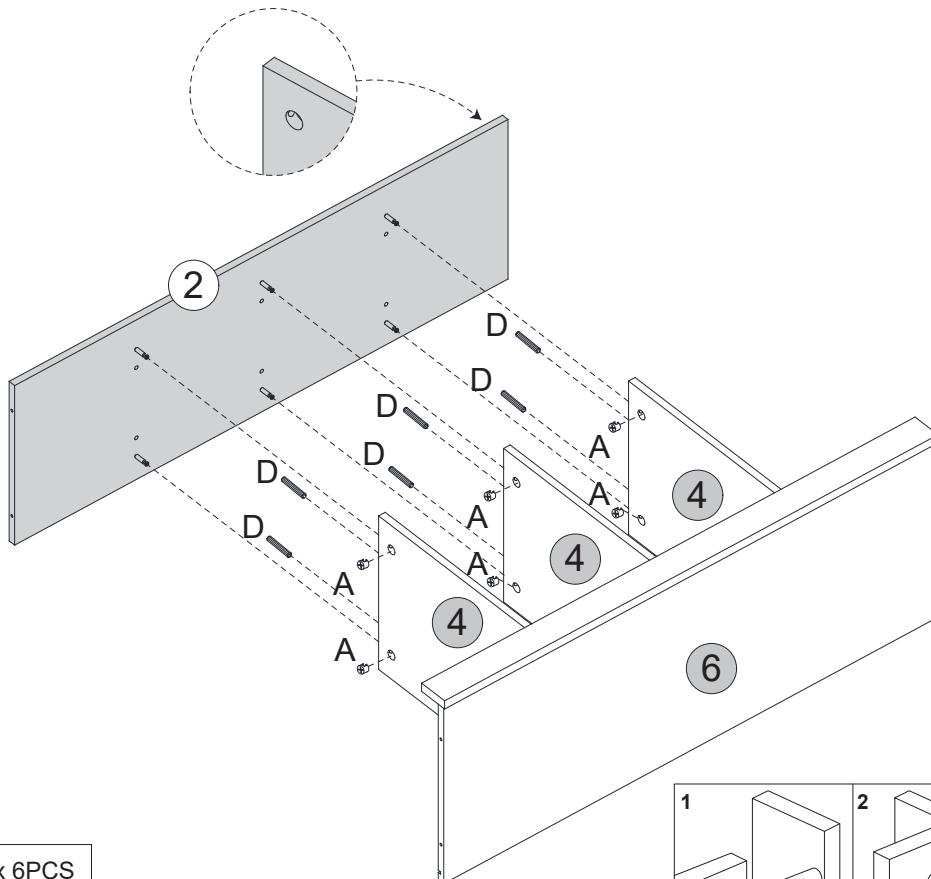
STEP 6





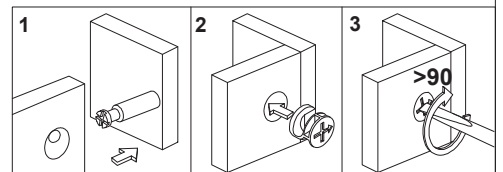
	D x 6PCS
	A x 6PCS



STEP 7

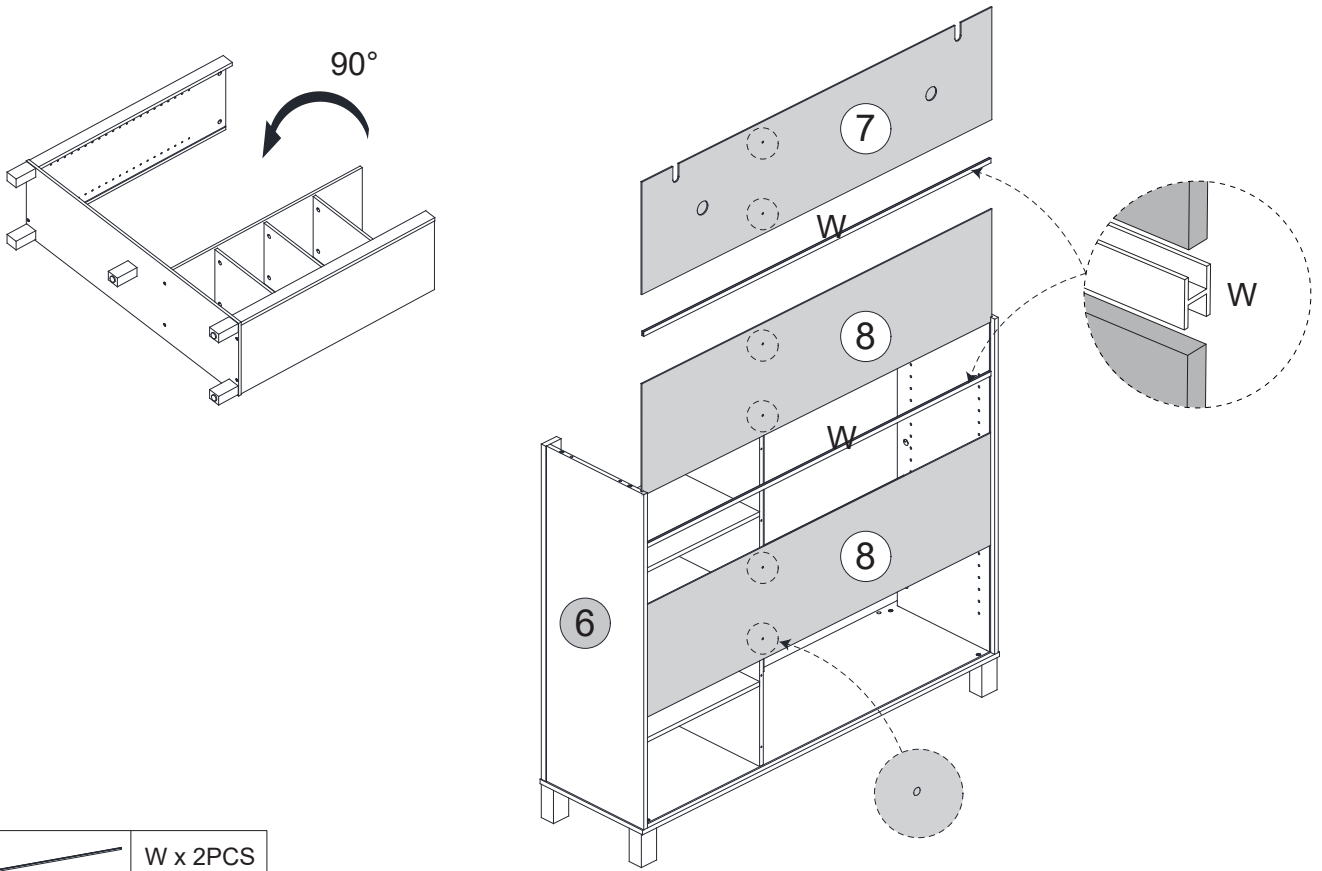


	D x 6PCS
	A x 6PCS



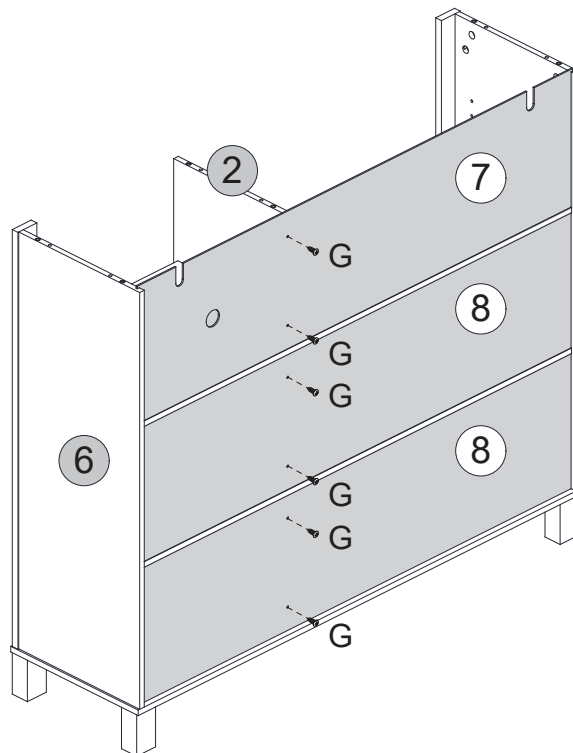
Assembly Steps(EN)

STEP 10



$W \times 2PCS$

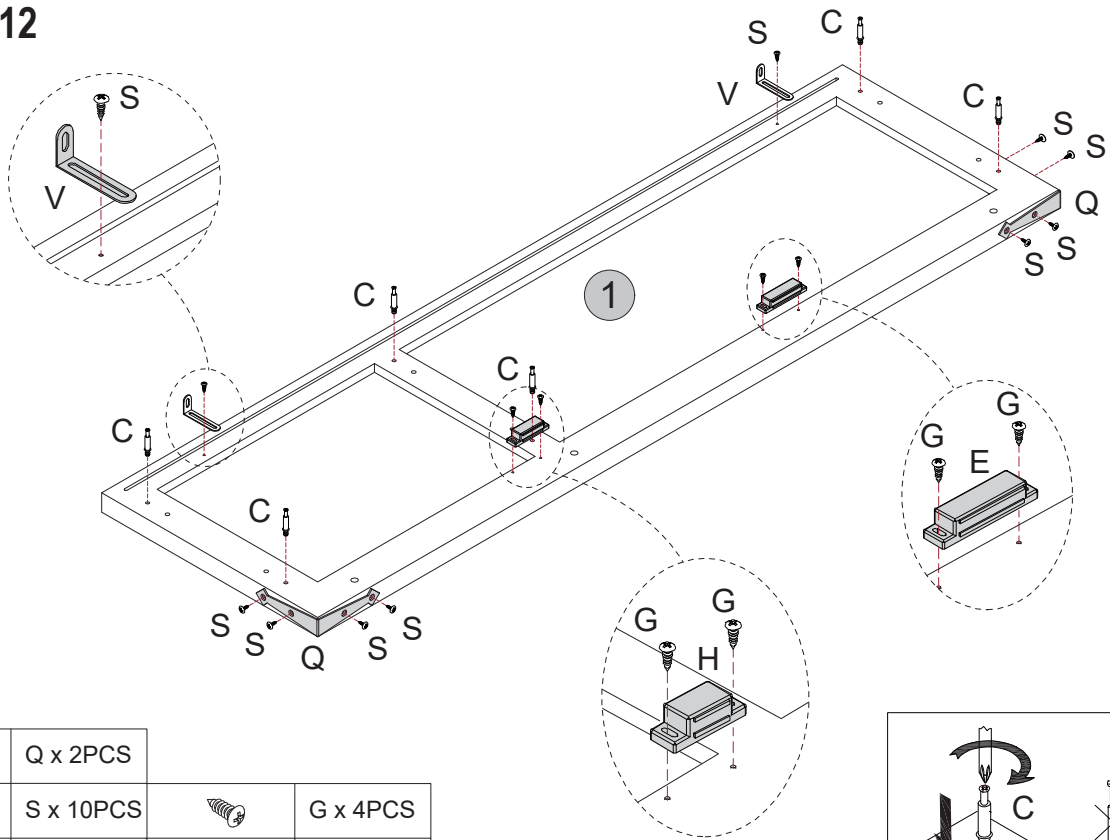
STEP 11



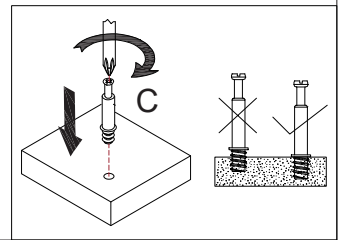
$G \times 6PCS$

Assembly Steps(EN)

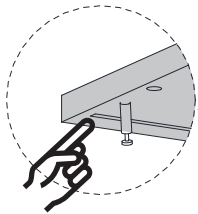
STEP 12



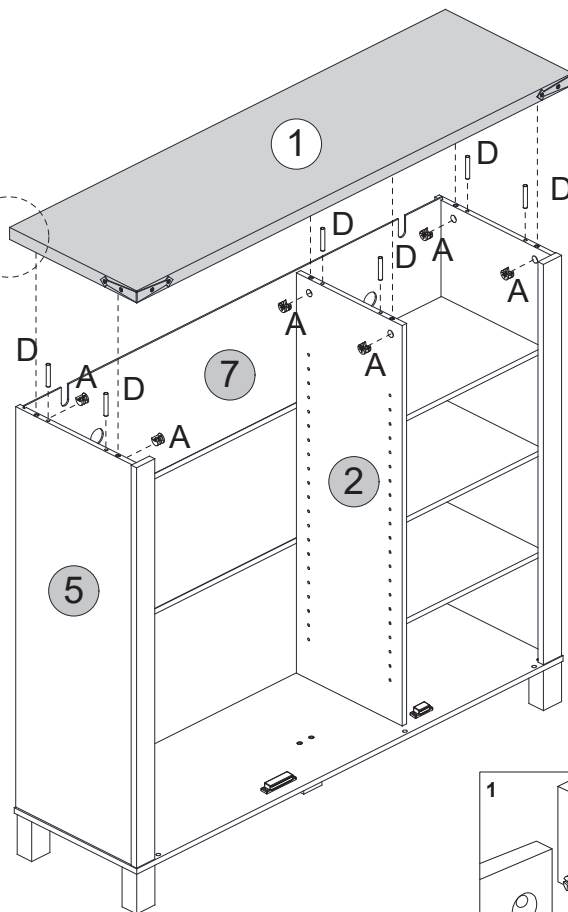
	Q x 2PCS		S x 10PCS		G x 4PCS
	E x 1PC		V x 2PCS		H x 1PC
	H x 1PC		C x 6PCS		



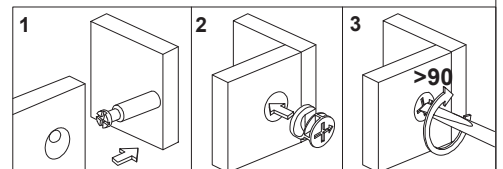
STEP 13



The groove should align with piece 7



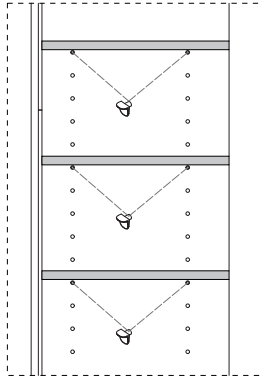
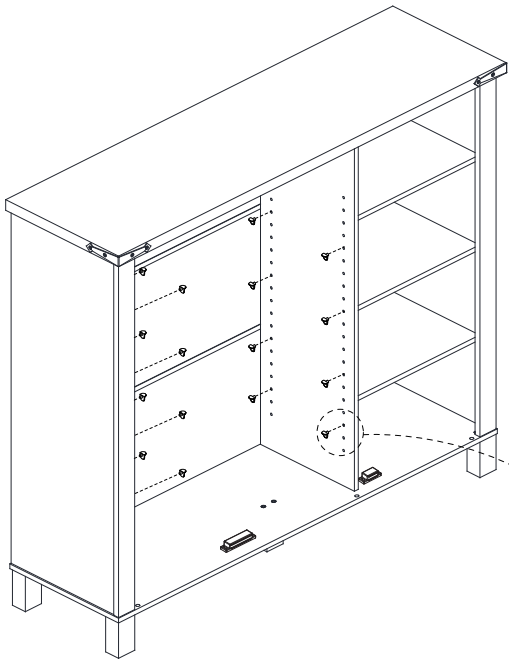
	D x 6PCS		A x 6PCS
--	----------	--	----------



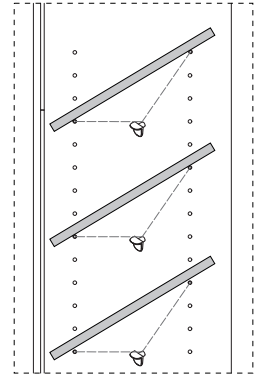
Assembly Steps(EN)

STEP 14

Position **O** as Your Needs



Flat

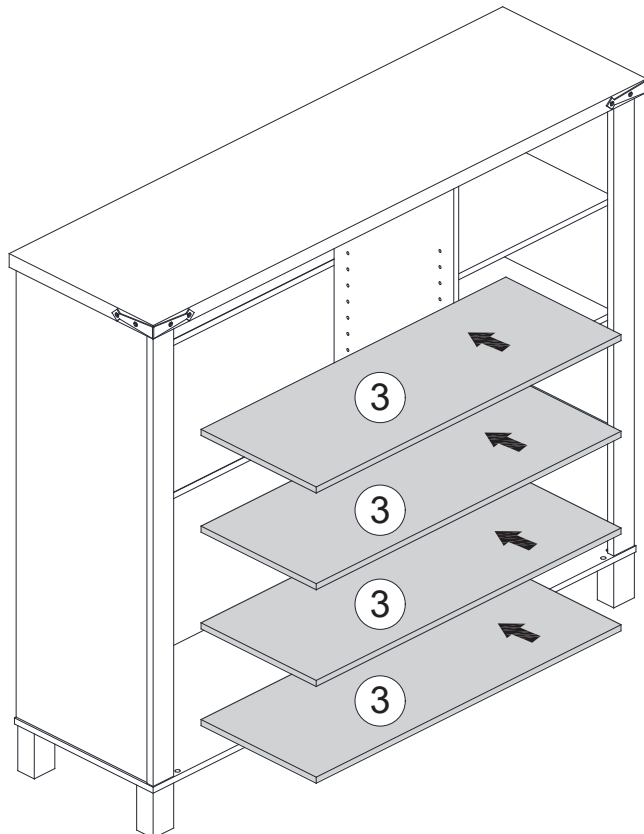


Tilt
(larger shoe sizes)



O x 16PCS

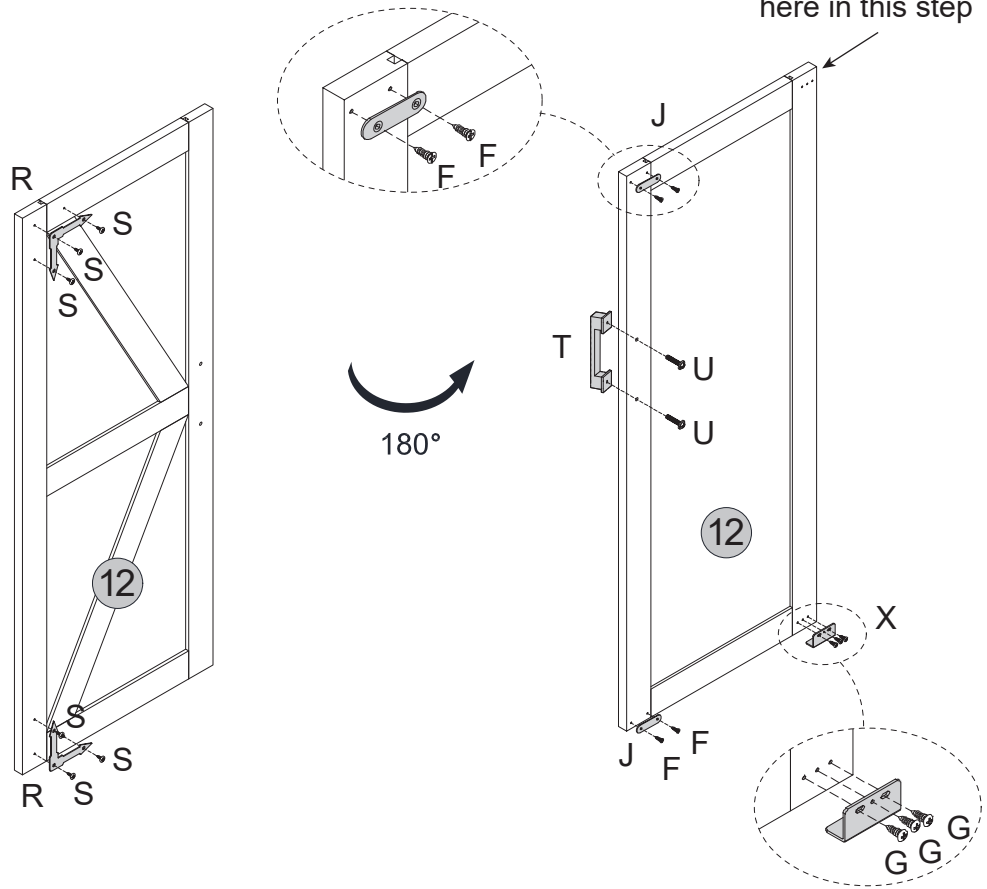
STEP 15



Assembly Steps(EN)

STEP 16

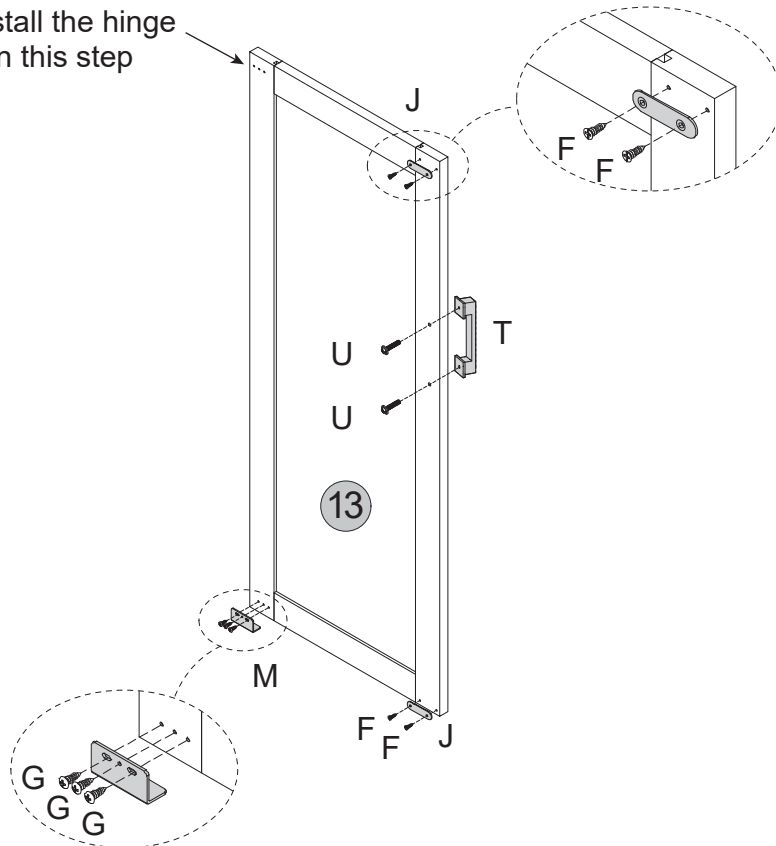
⚠ Do not install the hinge here in this step



	R x 2PCS
	S x 6PCS
	T x 1PC
	U x 2PCS
	J x 2PCS
	F x 4PCS
	X x 1PC
	G x 3PCS

STEP 17

⚠ Do not install the hinge here in this step

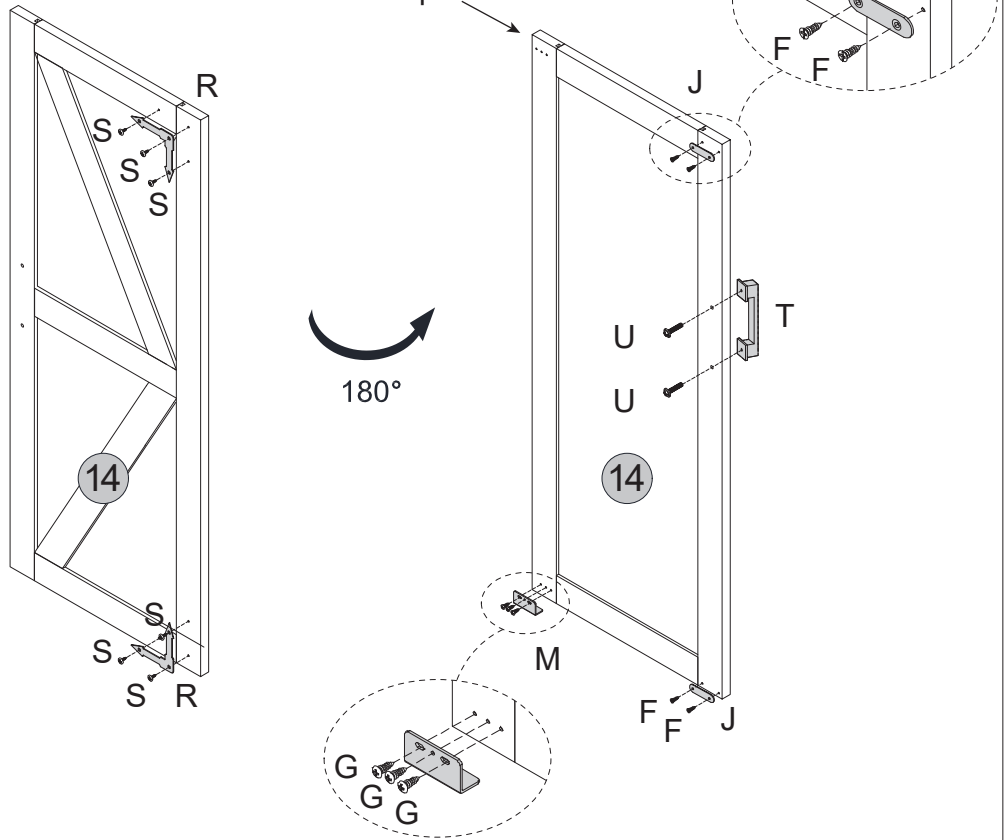


	T x 1PC
	U x 2PCS
	J x 2PCS
	F x 4PCS
	M x 1PC
	G x 3PCS

Assembly Steps(EN)

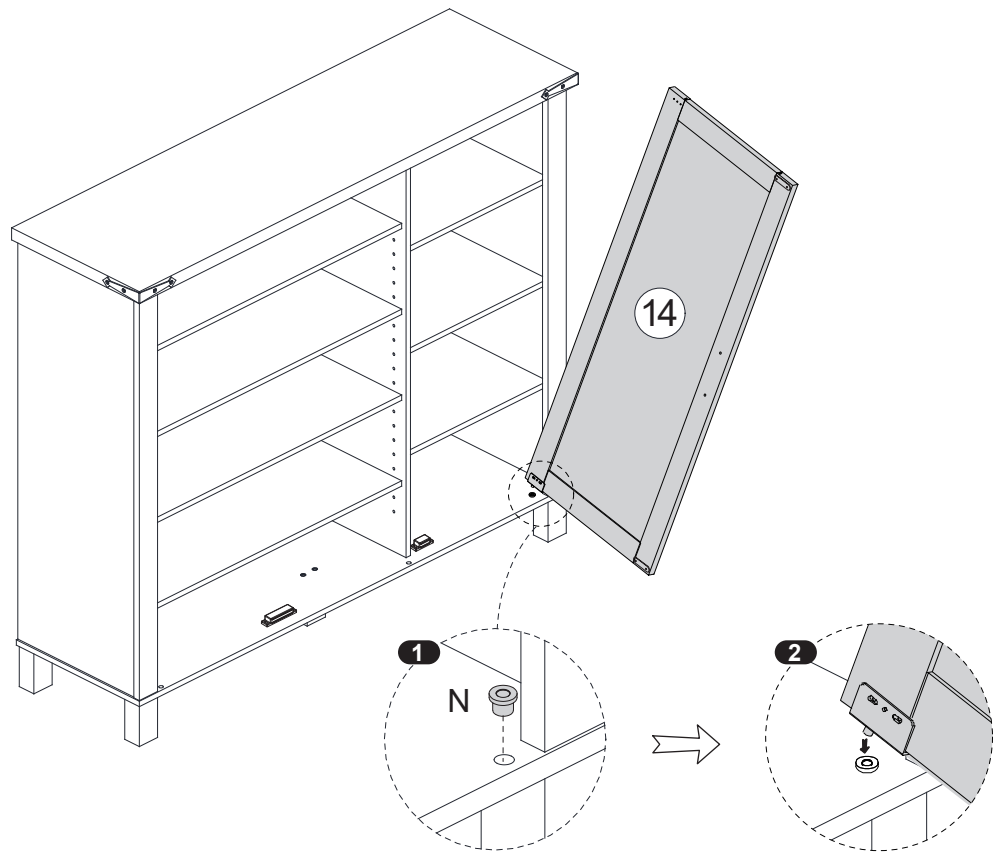
STEP 18

⚠ Do not install the hinge here in this step



	R x 2PCS
	S x 6PCS
	T x 1PC
	U x 2PCS
	J x 2PCS
	F x 4PCS
	M x 1PC
	G x 3PCS

STEP 19



	N x 1PC
--	---------

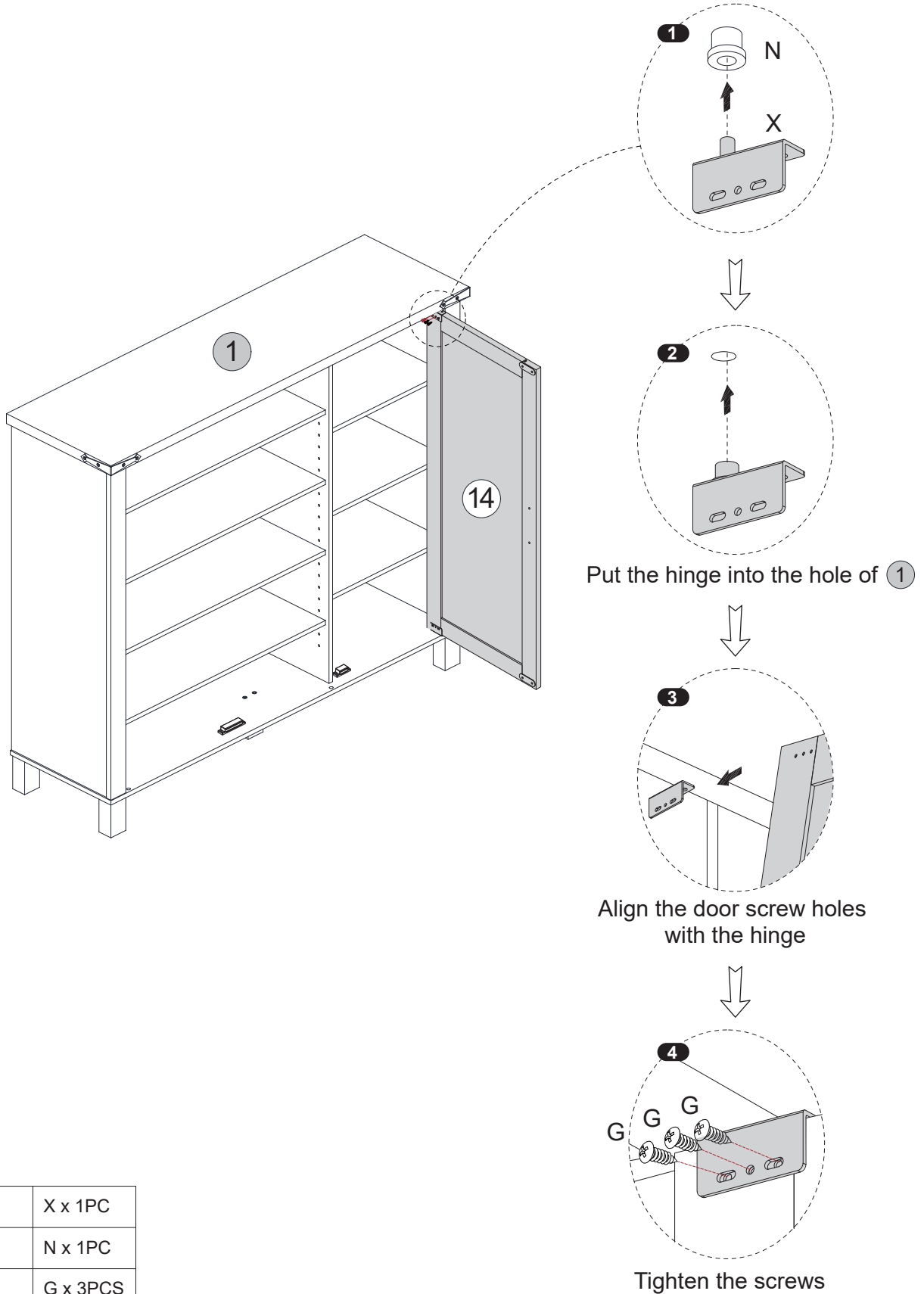
Put **N** into the hole first




Put the door into **N**

Assembly Steps(EN)

STEP 20

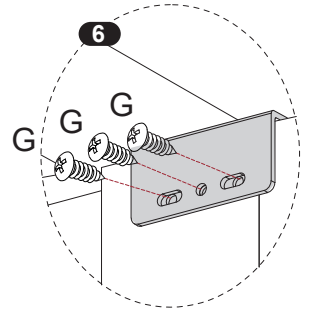
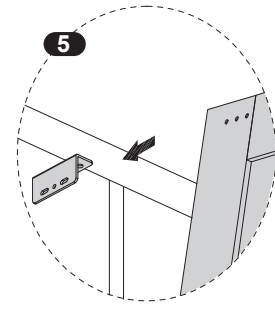
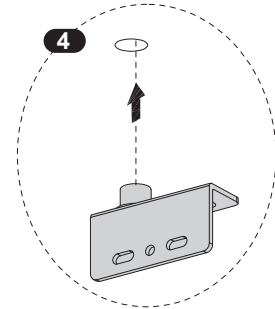
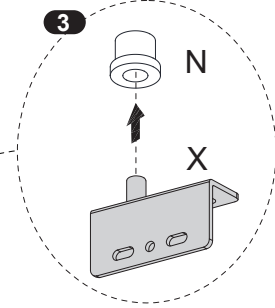
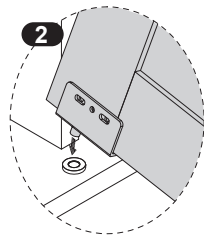
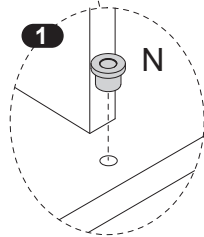
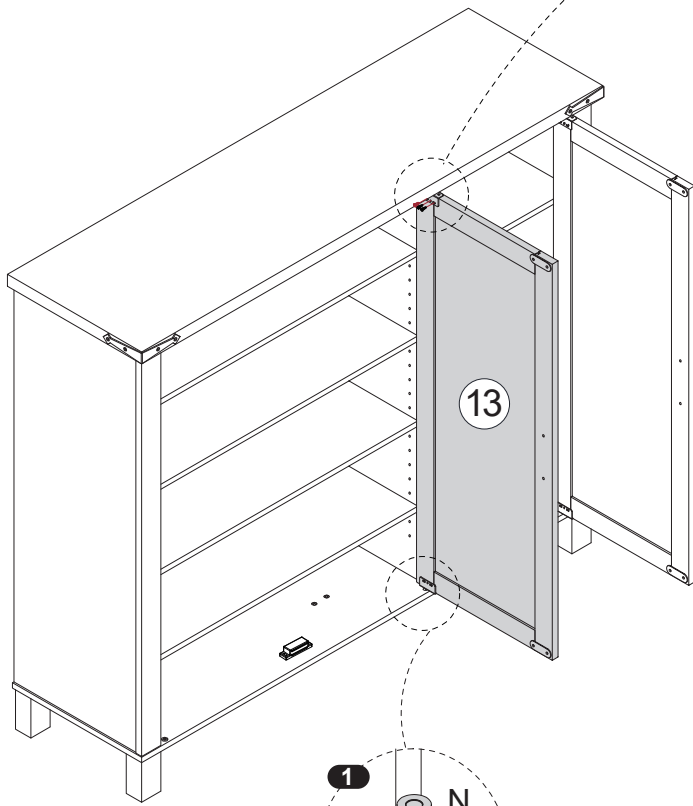
Please strictly follow the steps






	X x 1PC
	N x 1PC
	G x 3PCS

Assembly Steps(EN)

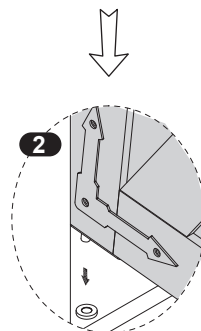
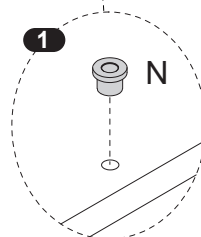
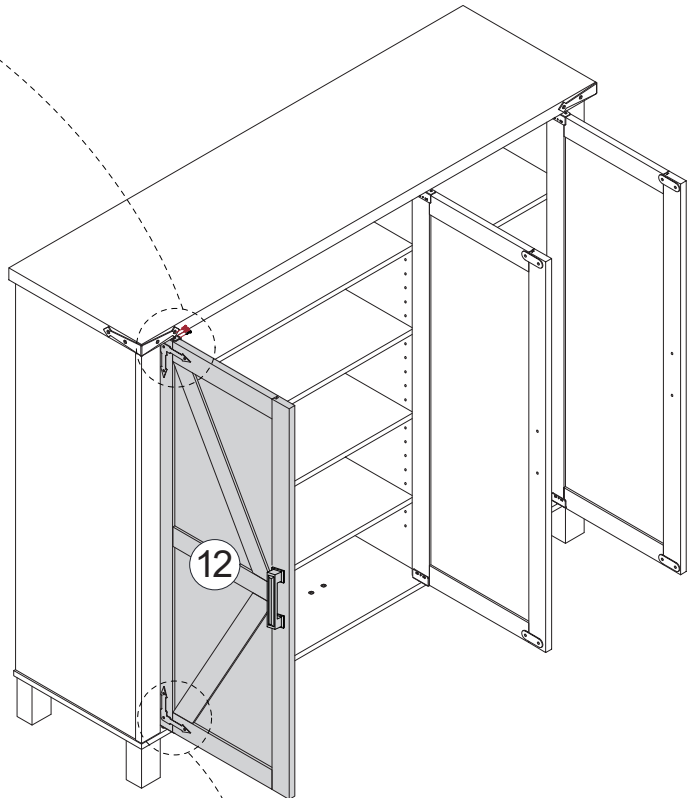
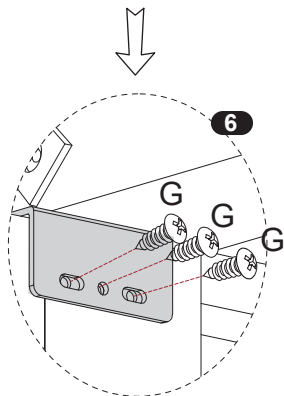
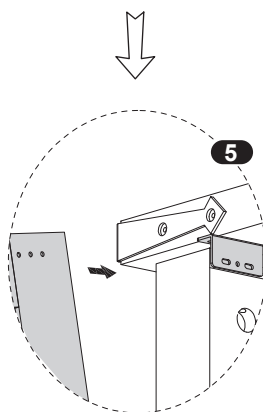
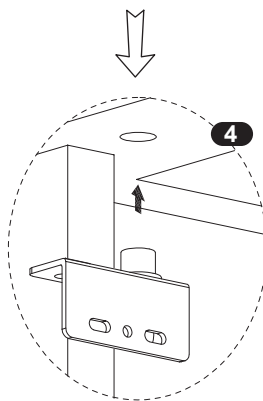
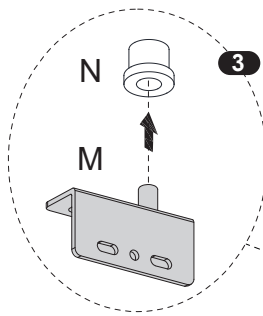
STEP 21



	N x 2PCS
	X x 1PC
	G x 3PCS

Assembly Steps(EN)

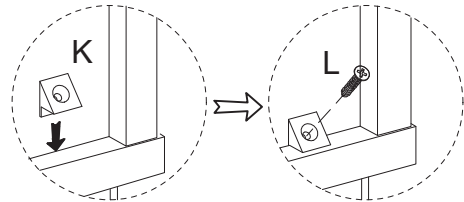
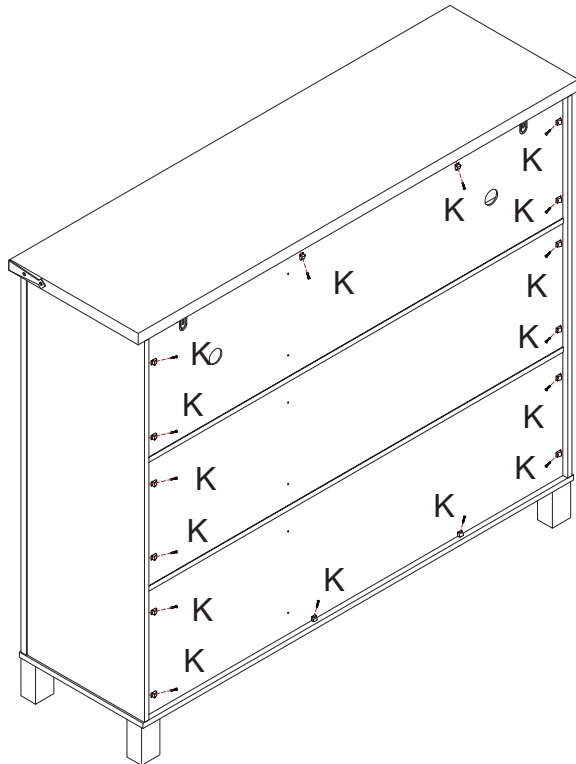
STEP 22



	N x 2PCS
	M x 1PC
	G x 3PCS

Assembly Steps(EN)

STEP 23



Use **K** and **L** to reinforce the Board

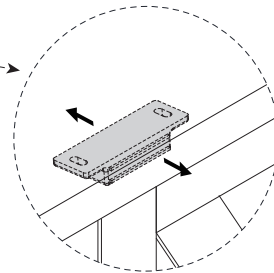
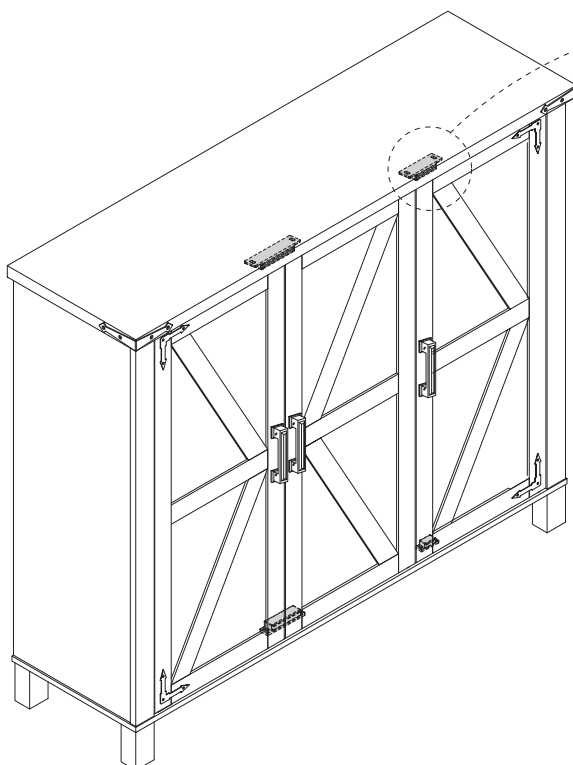


K x 16PCS



L x 16PCS

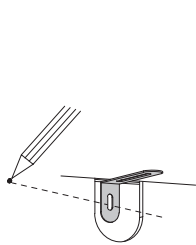
STEP 24



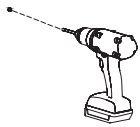
Please check if the door can close smoothly.
If not, you may need to adjust the position of
the magnetic catch.

Assembly Steps(EN)

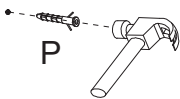
STEP 25



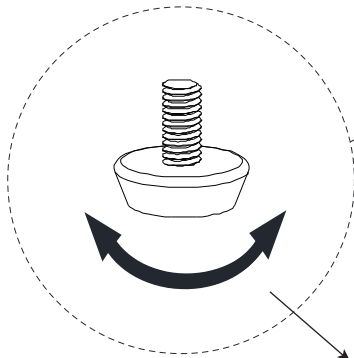
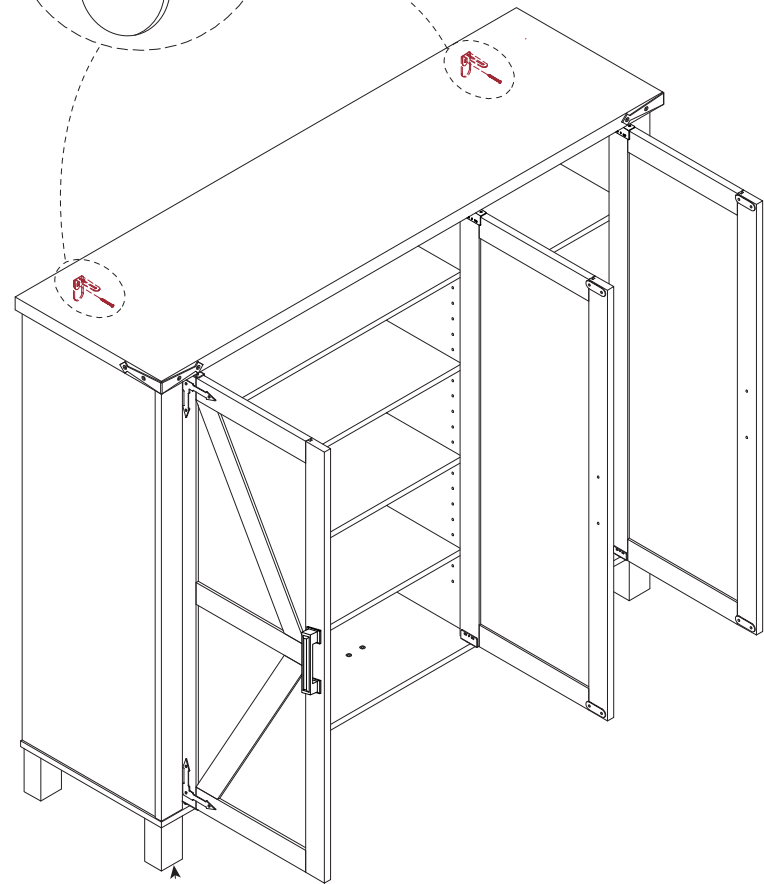
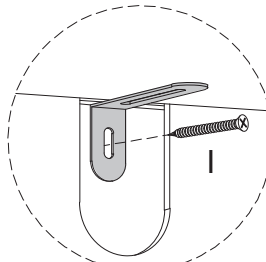
Step 1: mark the hole locations on the wall.



Step 2: drilling hole.



Step 3: drive P into the wall.



If the ground is uneven, the height of the adjustable feet can be adjusted.

	P x 2PCS
	I x 2PCS



Attention: For safety and stability, we suggest you secure the anti-tip accessories to the wall to prevent tipping, injury, and property damage.

Made in China

