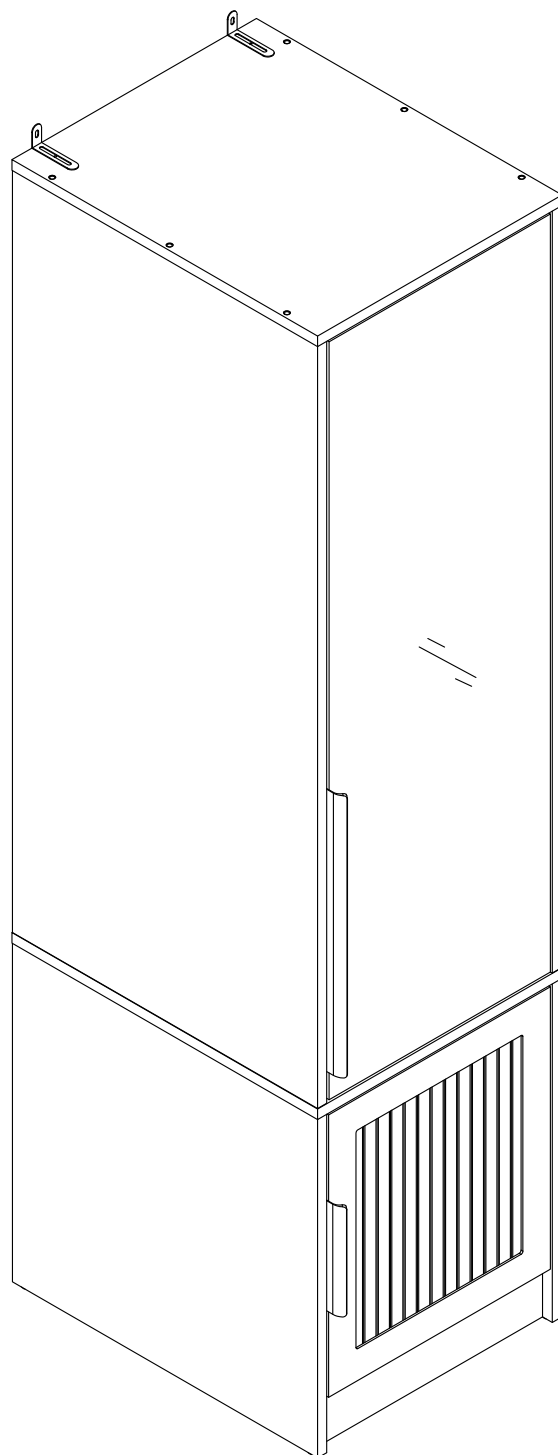
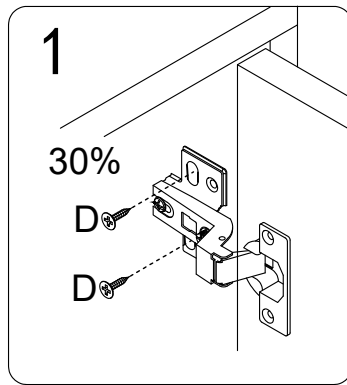


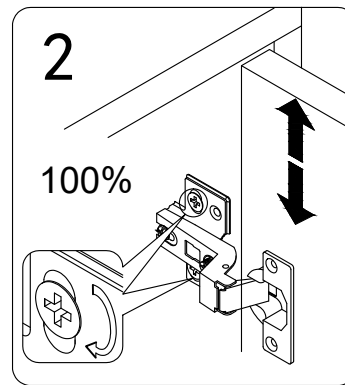
# Assembly Instruction



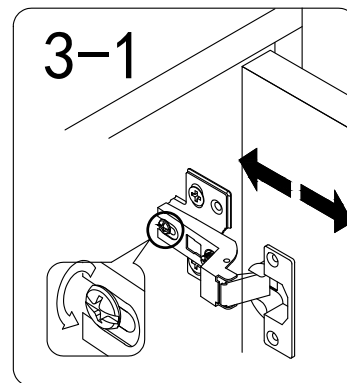
# HINGE INSTRUCTIONS



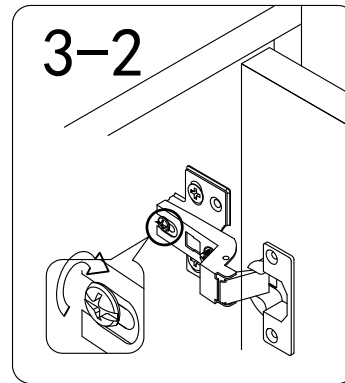
Tighten the screws only 30% as long as the door can be secured.



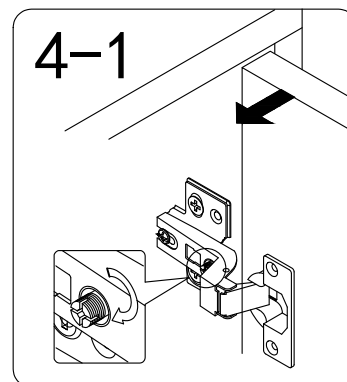
Move the door up and down until it is centred, then tighten the screw 100%.



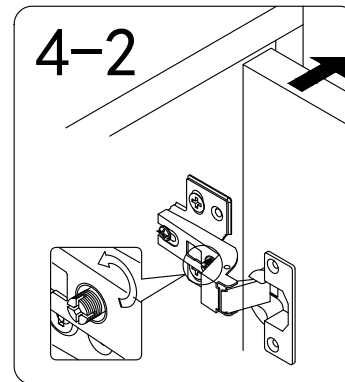
Loosen the screw **anti-clockwise**, and move the door **in or out** until it's aligned to side board.



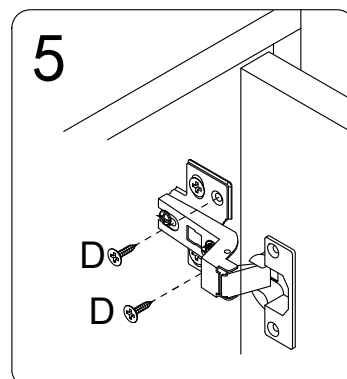
Tighten the screw **clockwise** once the door is **aligned**.











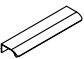




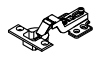

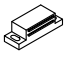






To adjust the gap between the door and the side board to be **larger**, turn the screw **clockwise**.



To adjust the gap between the door and the side board to be **smaller**, turn the screw **anti-clockwise**.

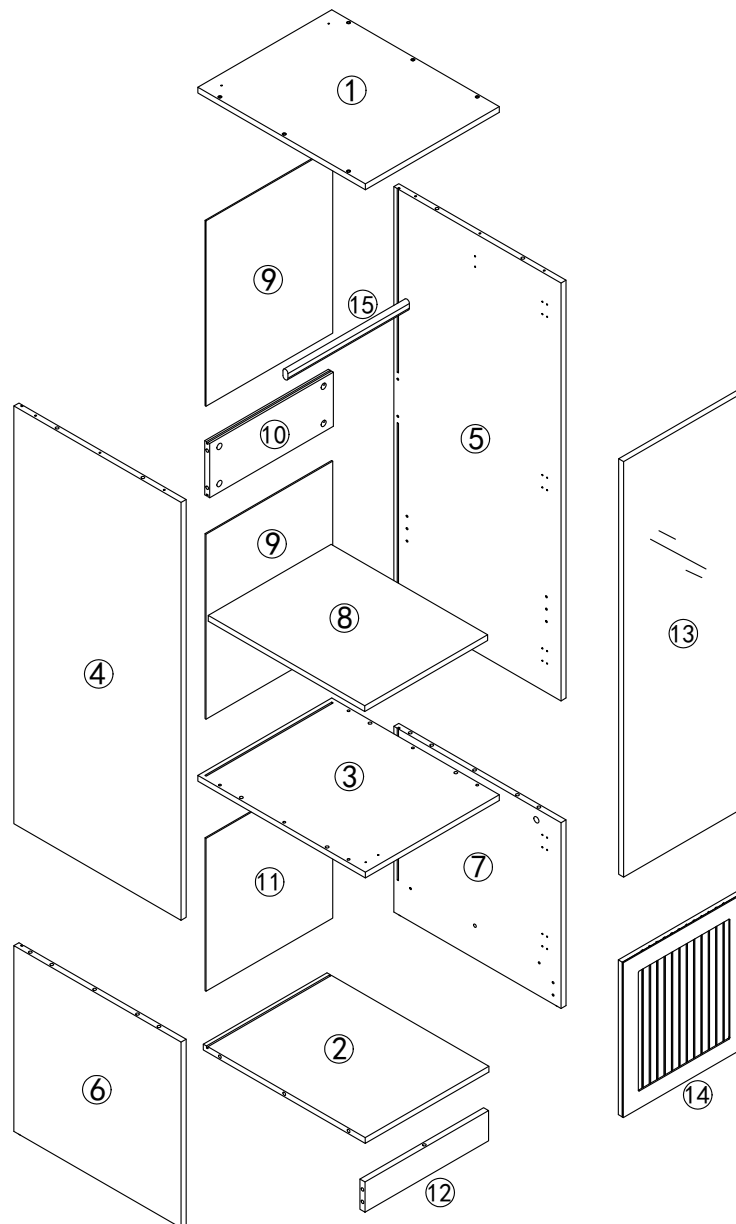
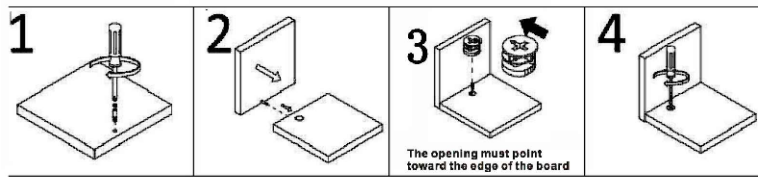


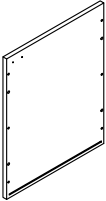
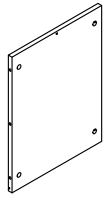
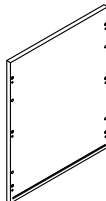

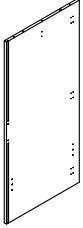
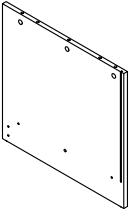
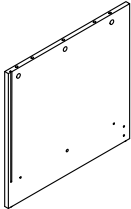
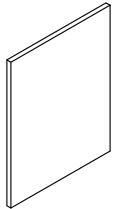
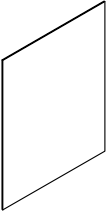
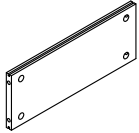
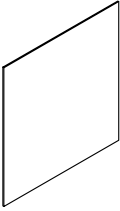
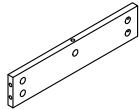

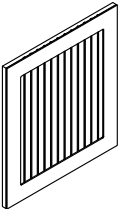
After adjusting the doors properly above, finally tighten these two screws and secured the door.

|   |     |   |     |   |     |   |     |   |    |   |     |   |     |   |    |
|---|-----|---|-----|---|-----|---|-----|---|----|---|-----|---|-----|---|----|
| <b>A</b>  | X19 | <b>B</b>  | X19 | <b>C</b>  | X2  | <b>D</b>  | X34 | <b>E</b>  | X1 | <b>F</b>  | X12 | <b>G</b>  | X14 | <b>H</b>  | X2 |
|  |     |  |     |  |     |  |     |  |    |  |     |  |     |  |    |
| M6x35mm   |     | Ø15x9mm   |     |   |     | M3.5x14mm   |     | 4mm   |    | M5x40mm   |     | Ø8x30mm   |     |   |    |
| <b>I</b>  | X1  | <b>J</b>  | X4  | <b>K</b>  | X2  | <b>M</b>  | X2  | <b>N</b>  | X2 | <b>O</b>  | X5  | <b>P</b>  | X2  | <b>Q</b>  | X2 |
|  |     |  |     |  |     |  |     |  |    |  |     |  |     |  |    |
|   |     |   |     | M4x35mm   |     |   |     | Ø6x30mm   |    |   |     | M4x12mm   |     |   |    |
| <b>S</b>  | X2  | <b>T</b>  | X16 | <b>U</b>  | X12 | <b>V</b>  | X4  | <b>W</b>  | X1 | <b>X</b>  | X4  |   |     |   |    |
|  |     |  |     |  |     |  |     |  |    |  |     |   |     |   |    |
| M3x12mm   |     | M3x16mm   |     |   |     | M3.5x12mm   |     |   |    | Ø5x17mm   |     |   |     |   |    |

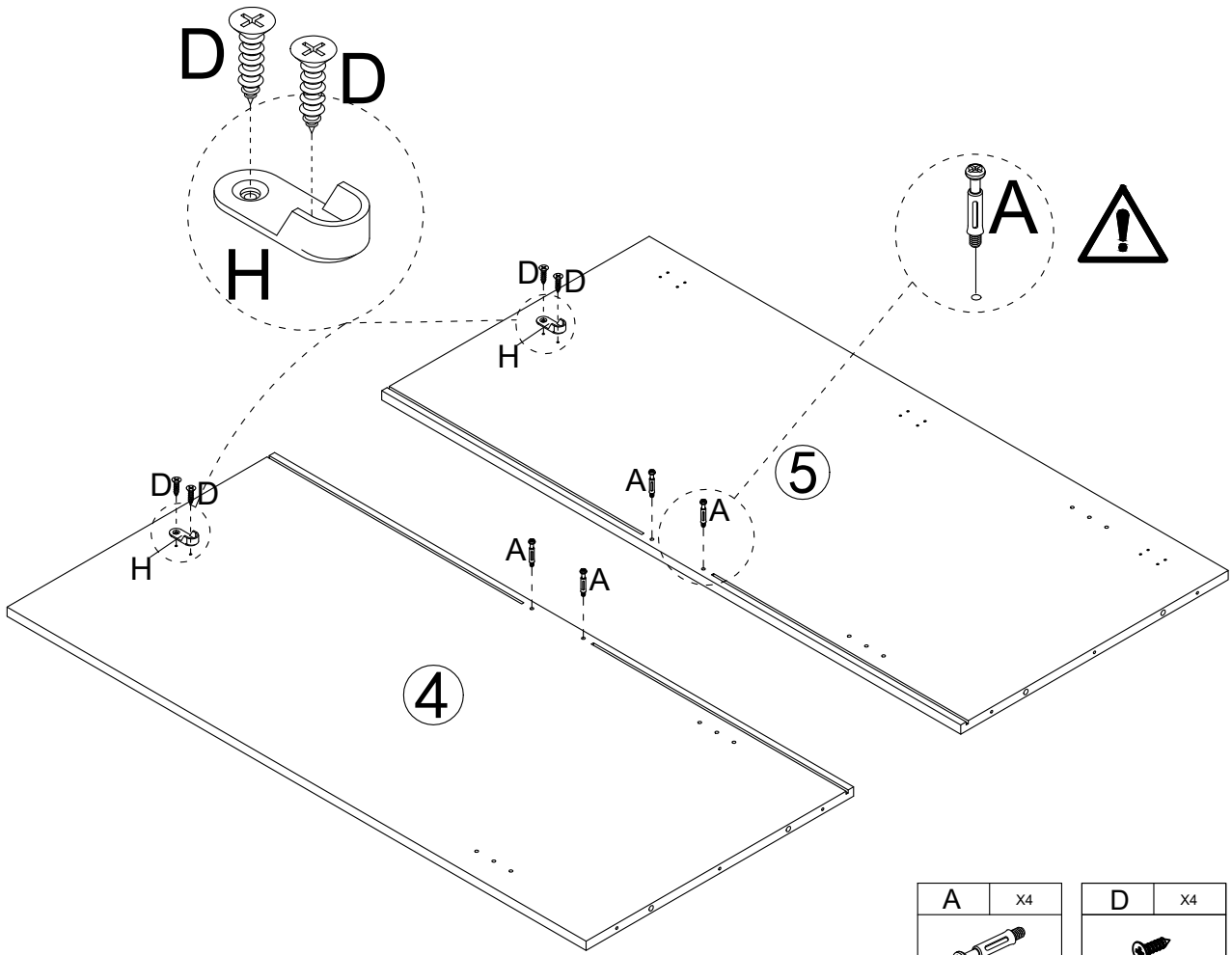
## Cam Lock Fastening System


Insert the cam bolt into the hole first, then insert the cam lock and lock it.





|   |   |   |  |
|---|---|---|--|
| ①    | ②    | ③   | ④   |
| 1PC   | 1PC   | 1PC   | 1PC  |
| ⑤    | ⑥    | ⑦   | ⑧   |
| 1PC   | 1PC   | 1PC   | 1PC  |
| ⑨   | ⑩   | ⑪  | ⑫  |
| 2PCS  | 1PC   | 1PC   | 1PC  |
| ⑬  | ⑭  |   |  |
| 1PC   | 1PC   |   |  |

1

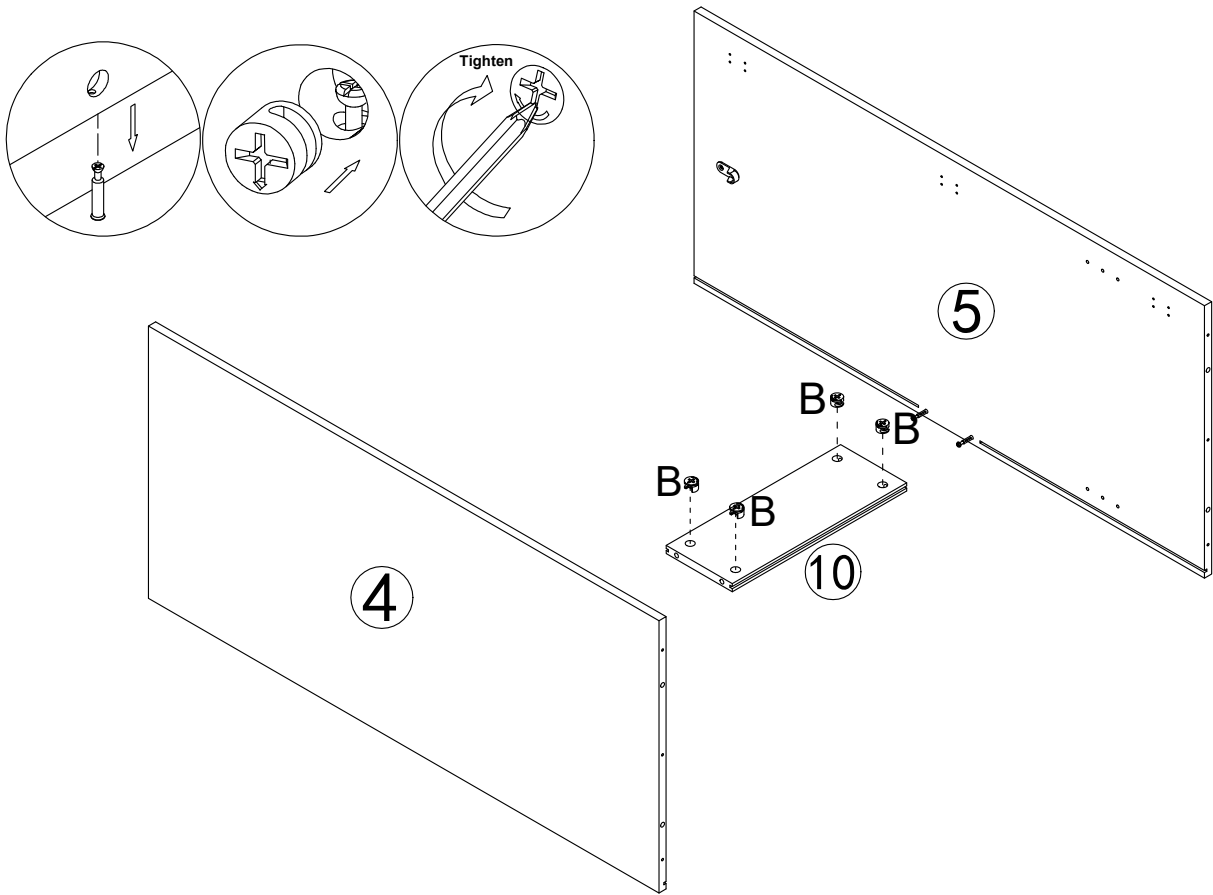



|   |    |
|---|----|
| A   | X4 |
|  |    |
| M6x35mm   |    |

|   |    |
|---|----|
| D   | X4 |
|  |    |
| M3.5x14mm   |    |

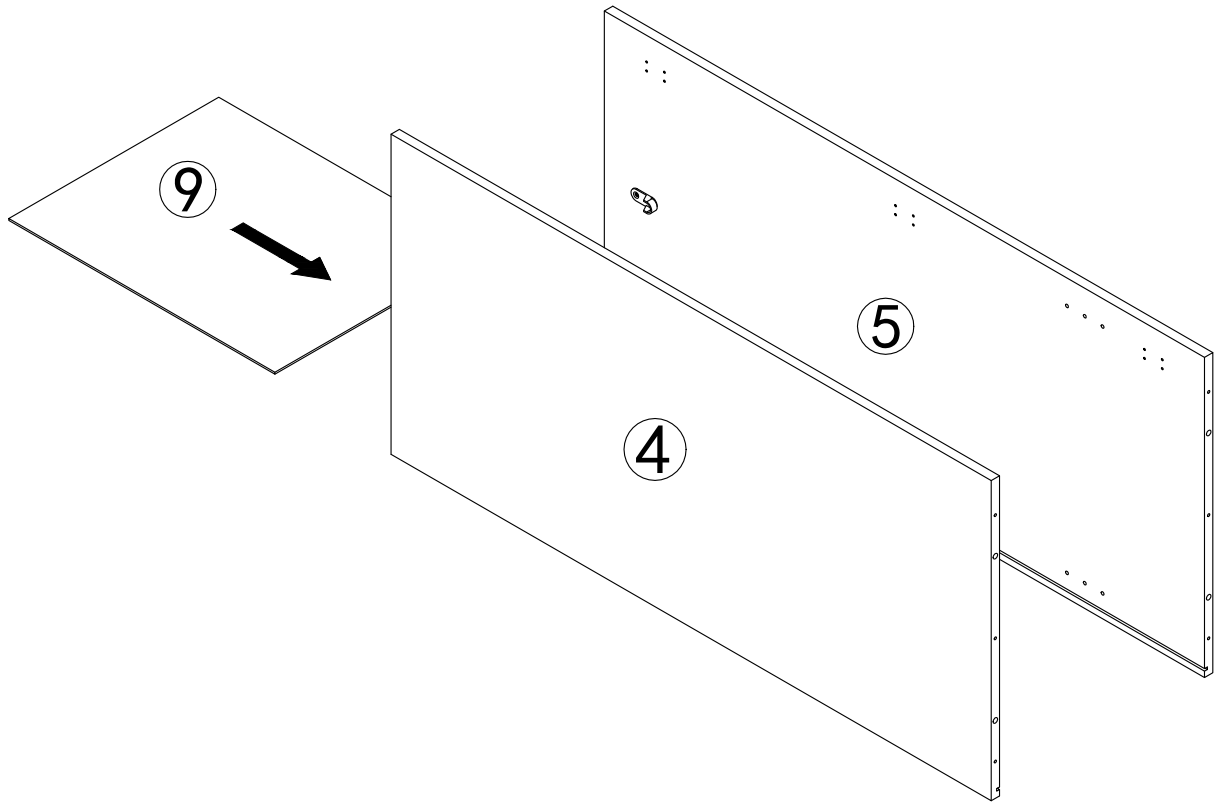
|   |    |
|---|----|
| H   | X2 |
|  |    |
|   |    |

2

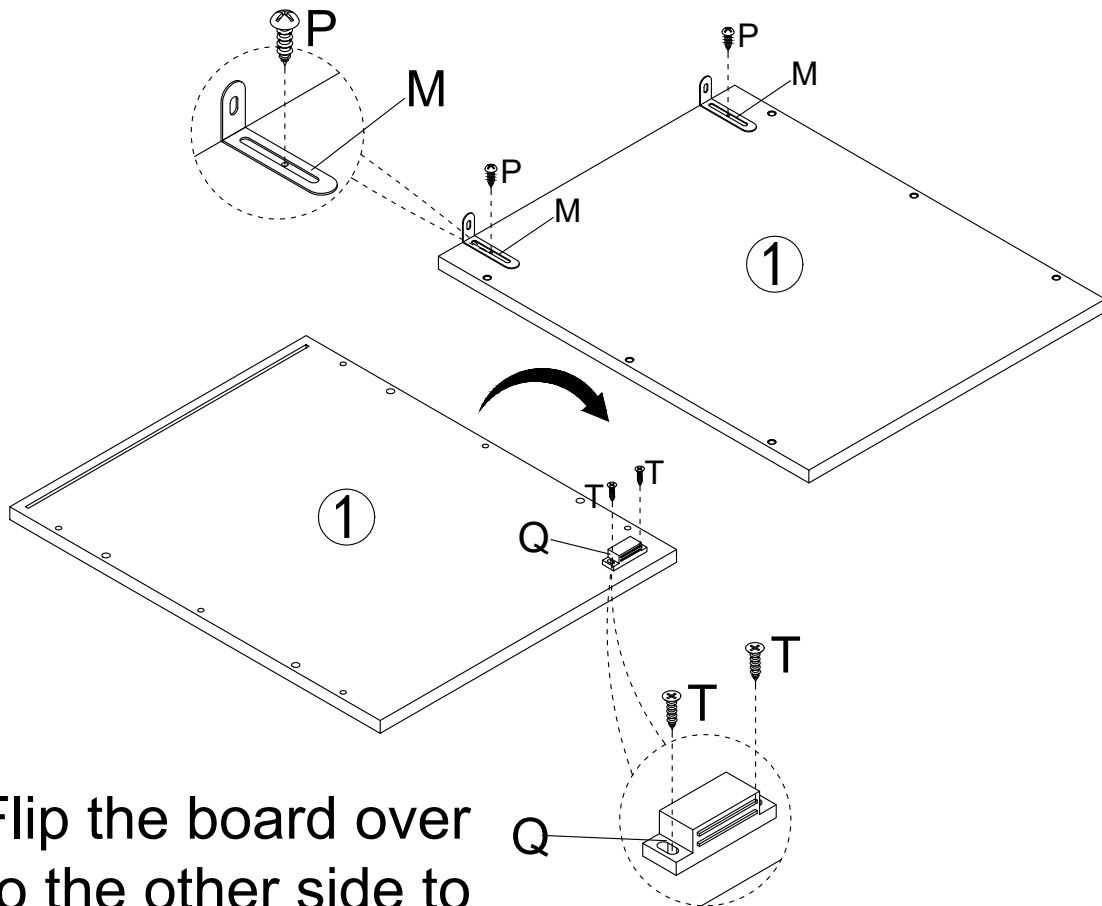


|   |    |
|---|----|
| B   | X4 |
|  |    |
| Ø15x9mm   |    |




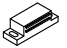
3



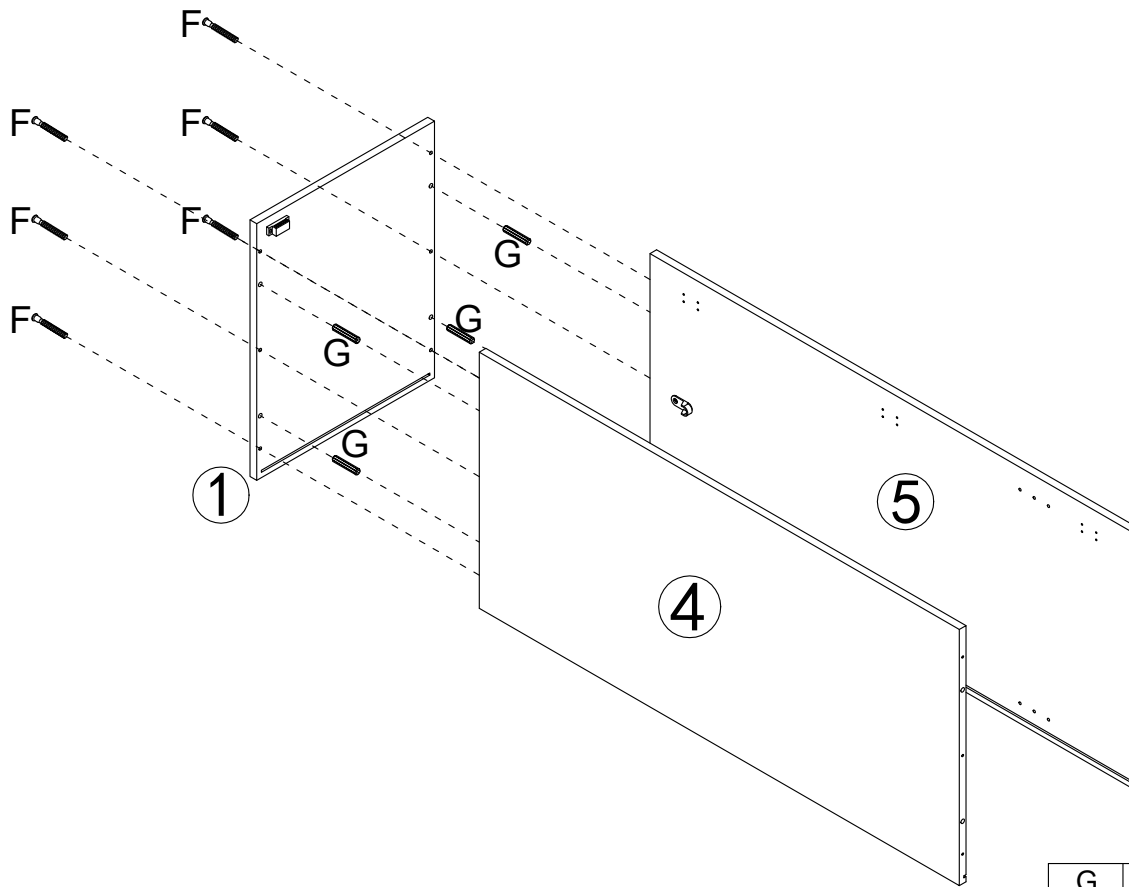
4





Flip the board over to the other side to screw P

|  |    |   |    |   |    |   |    |
|--|----|---|----|---|----|---|----|
| M  | x2 | P   | x2 | T   | x2 | Q   | x1 |
|  |    |  |    |  |    |  |    |
|  |    | M4x12mm   |    | M3x16mm   |    |   |    |

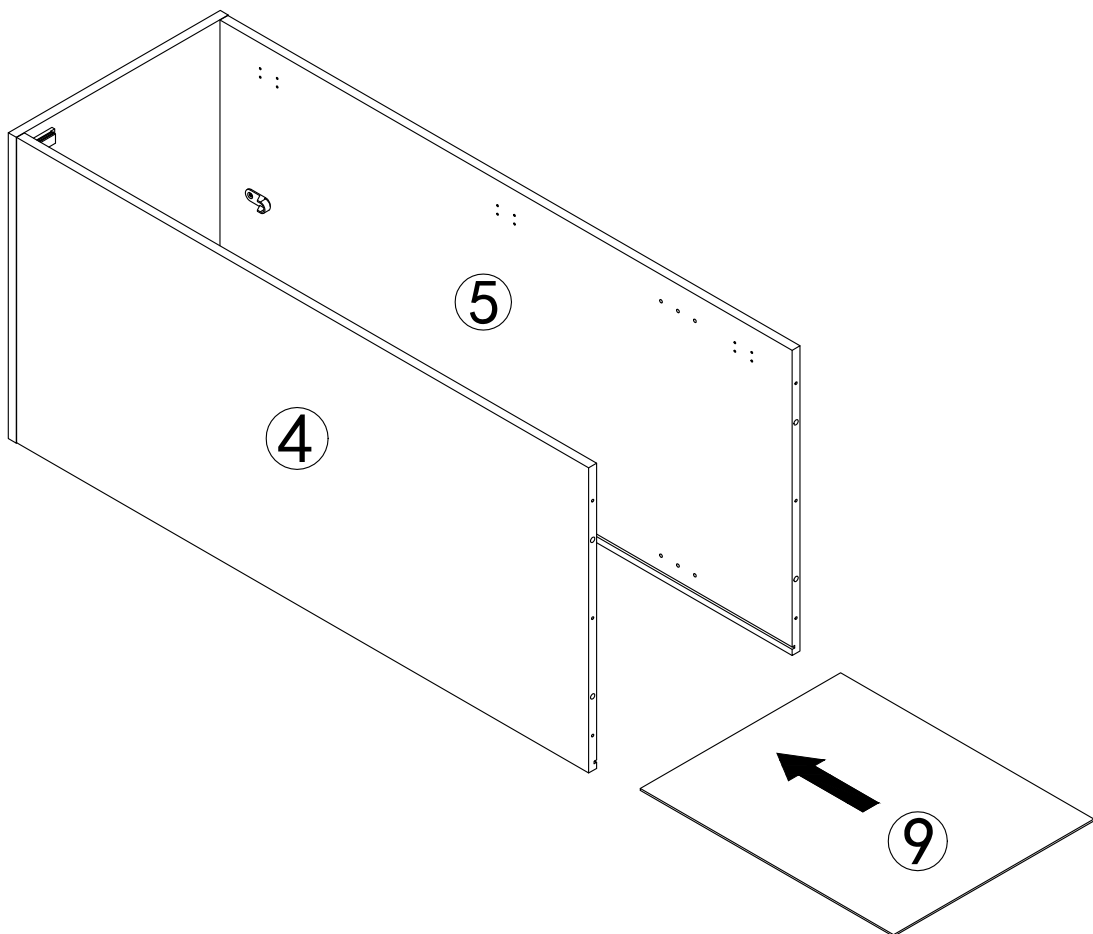
5



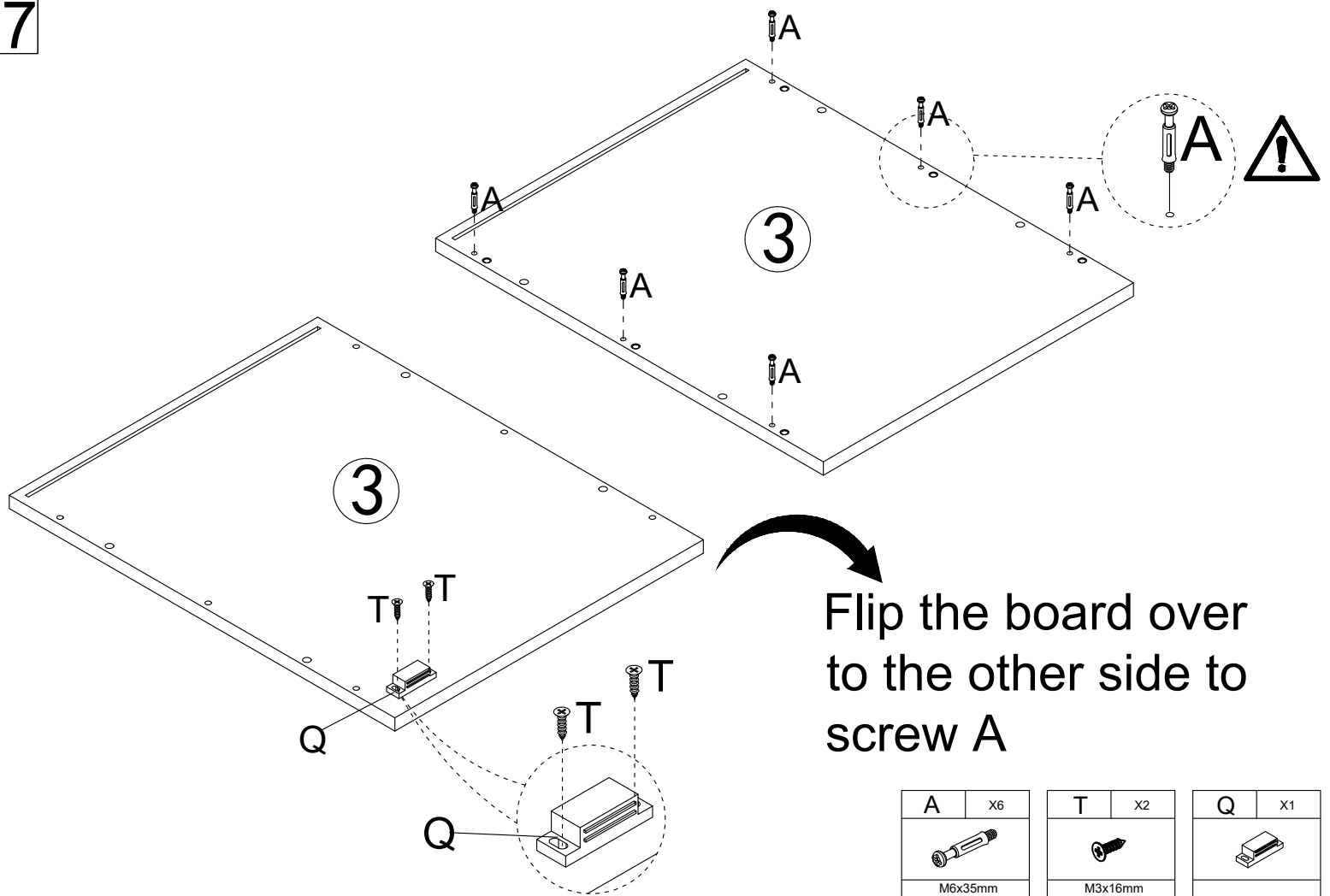
|   |    |
|---|----|
| <b>G</b>  | X4 |
|  |    |
| Ø8x30mm   |    |


|   |    |
|---|----|
| <b>F</b>  | X6 |
|  |    |
| M5x40mm   |    |


6

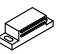


7

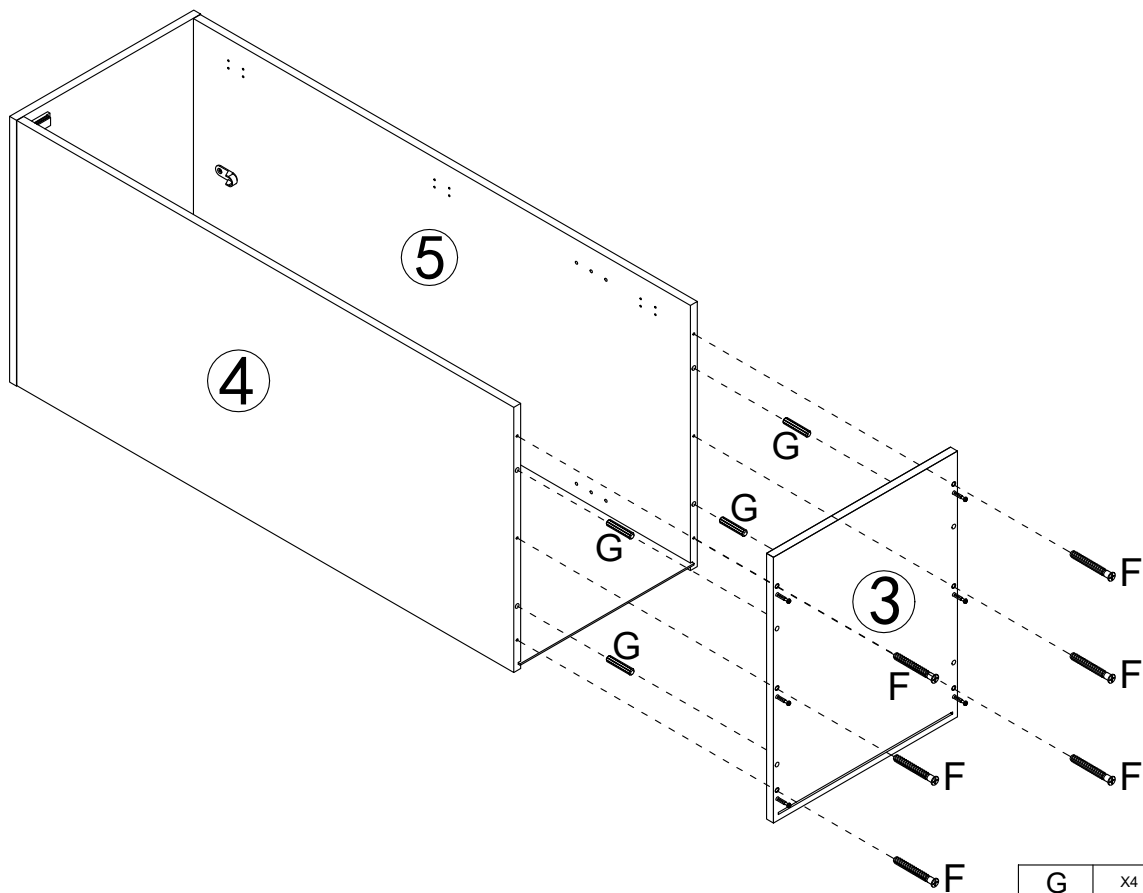



|   |    |
|---|----|
| A   | X6 |
|  |    |
| M6x35mm   |    |

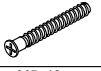
|   |    |
|---|----|
| T   | X2 |
|  |    |
| M3x16mm   |    |

|   |    |
|---|----|
| Q   | X1 |
|  |    |
|   |    |

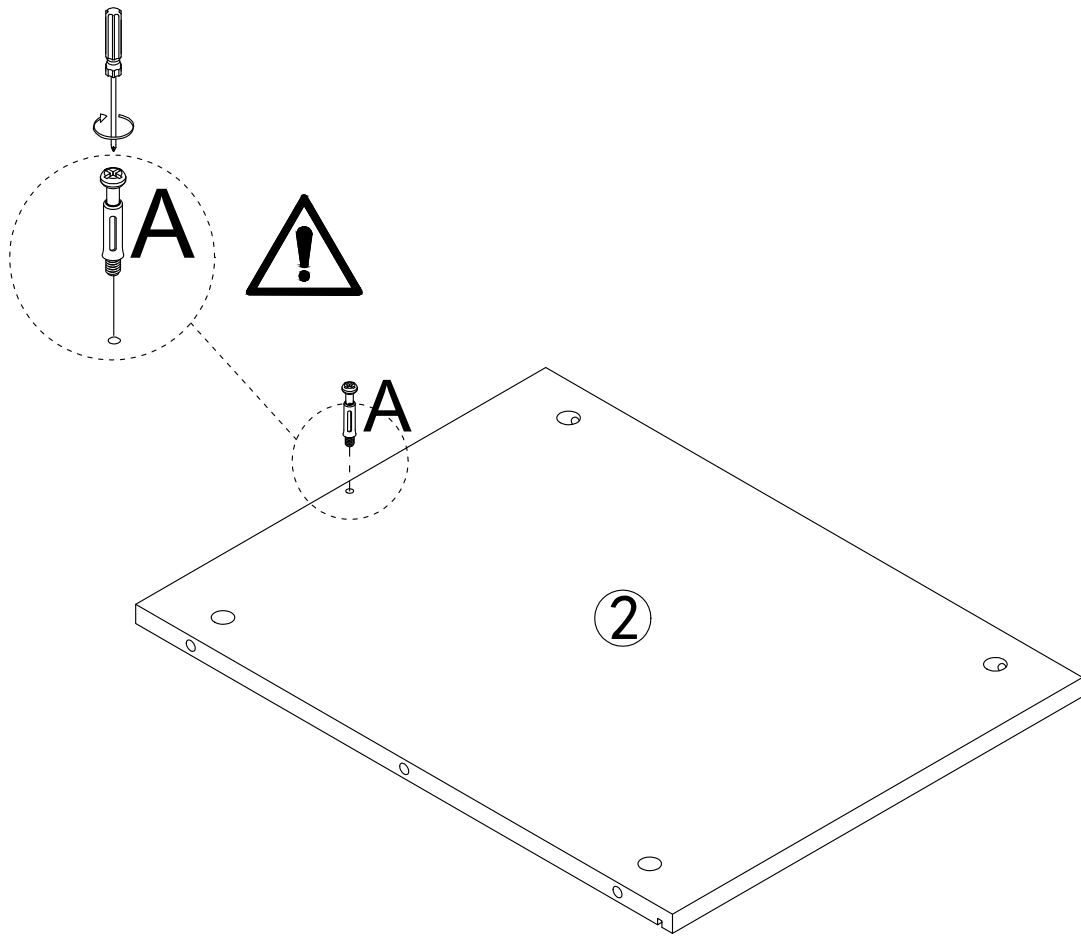
8




|   |    |
|---|----|
| G   | X4 |
|  |    |
| Ø8x30mm   |    |

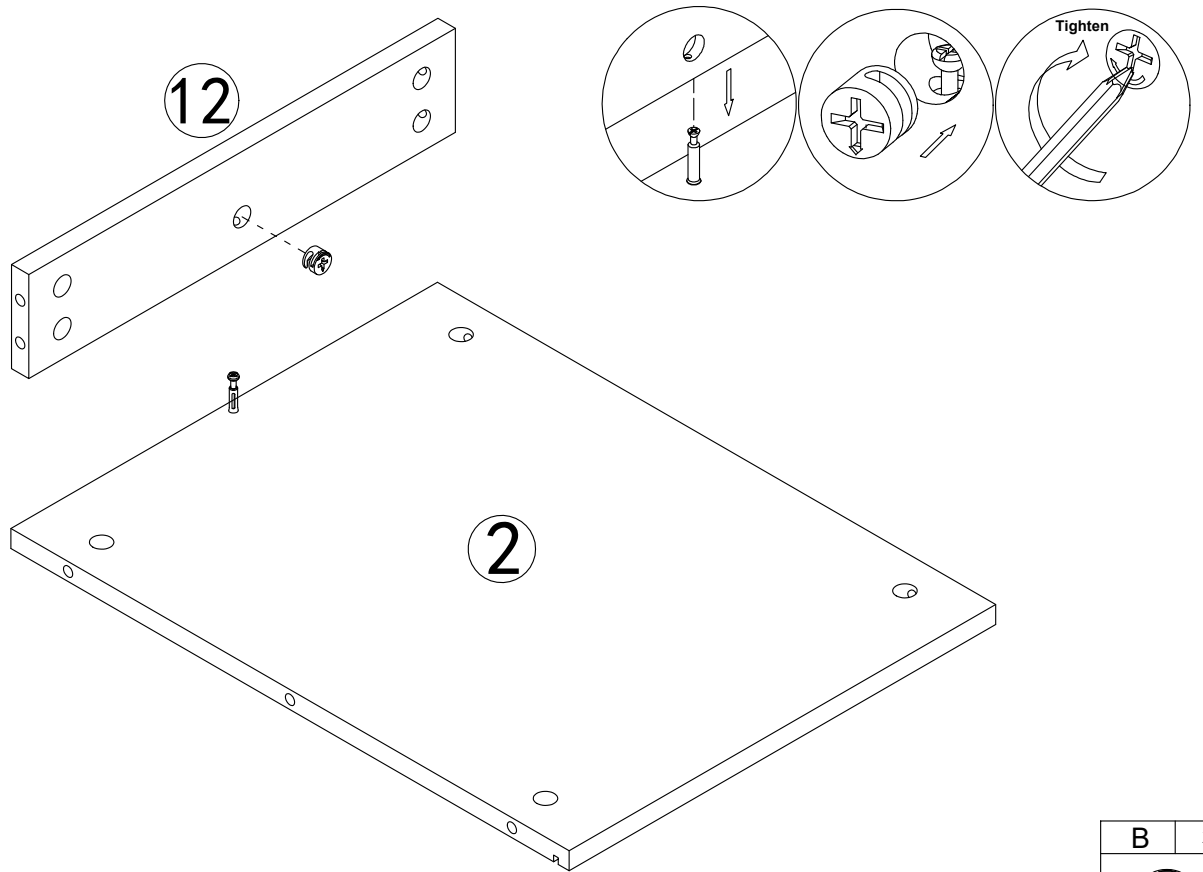
|   |    |
|---|----|
| F   | X6 |
|  |    |
| M5x40mm   |    |


9



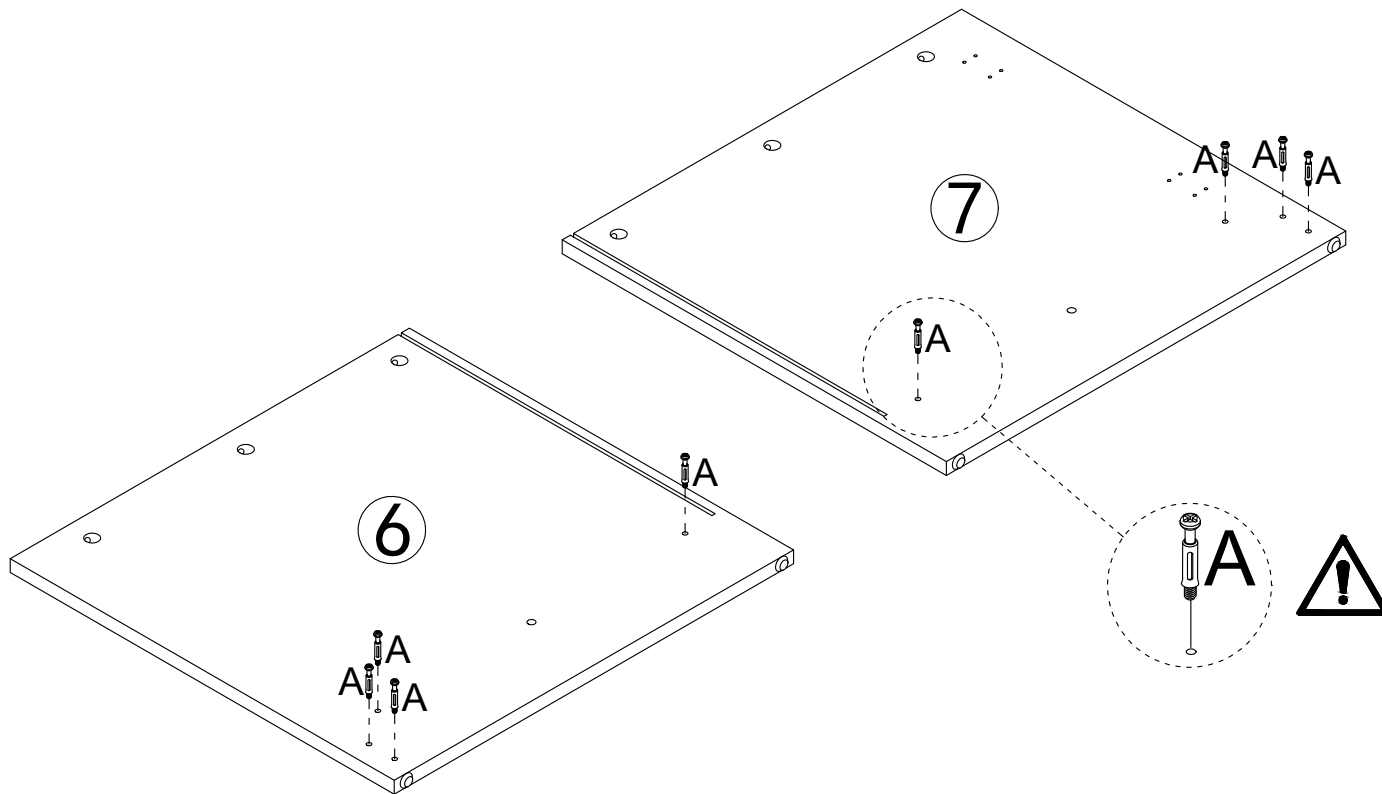
|   |    |
|---|----|
| A   | x1 |
|  |    |
| M6x35mm   |    |


10



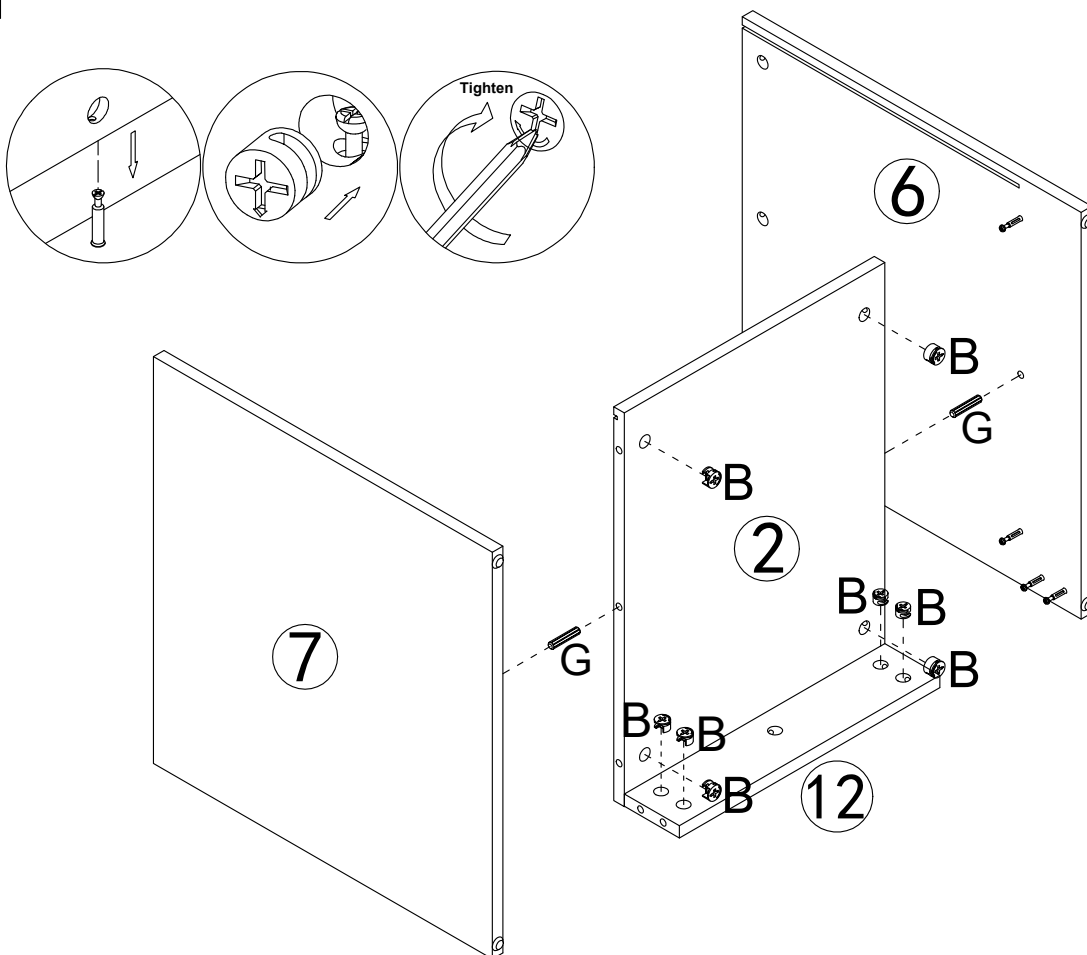
|   |    |
|---|----|
| B   | x1 |
|  |    |
| Ø15x9mm   |    |


11




|   |    |
|---|----|
| A   | X8 |
|  |    |
| M6x35mm   |    |

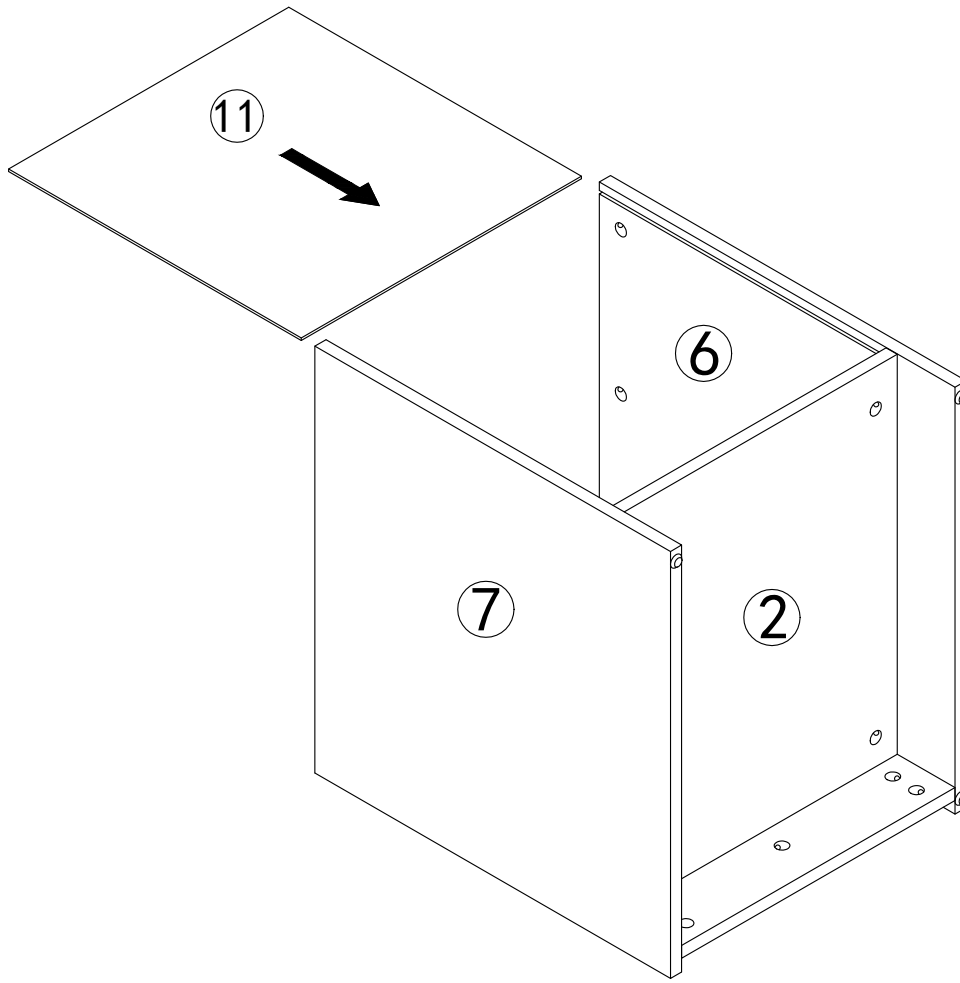
12



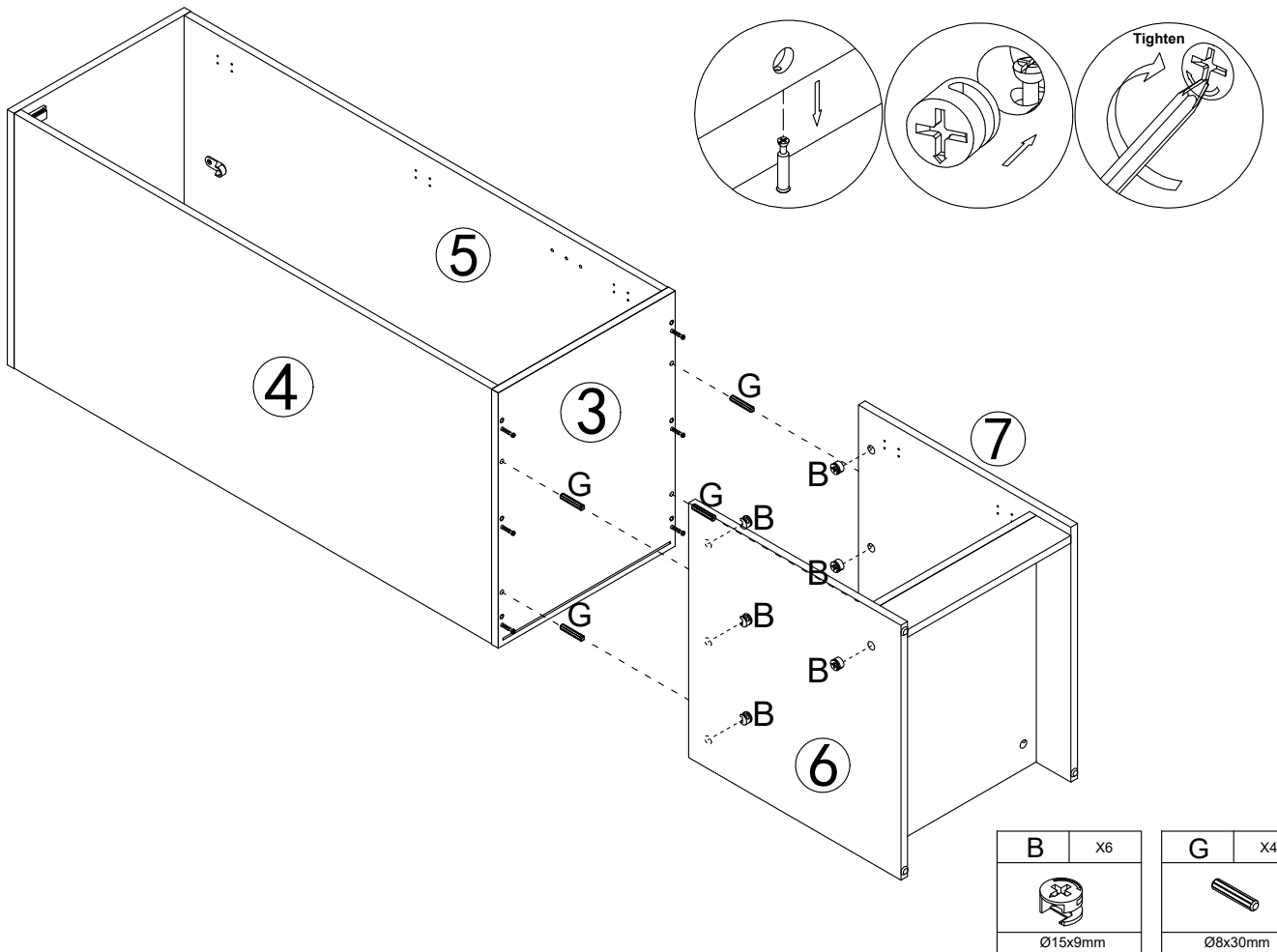
|   |    |
|---|----|
| B   | X8 |
|  |    |
| Ø15x9mm   |    |

|   |    |
|---|----|
| G   | X2 |
|  |    |
| Ø8x30mm   |    |

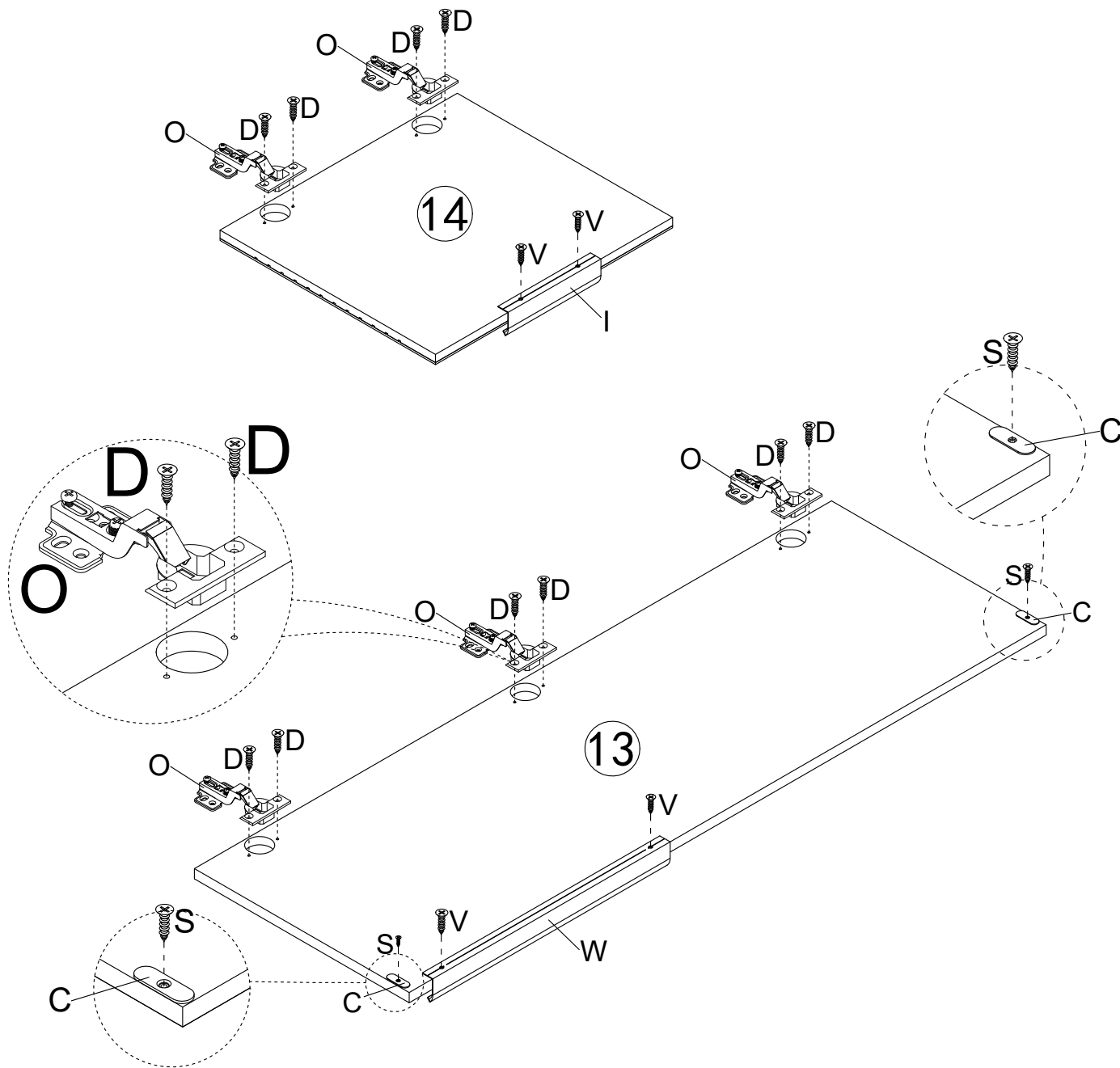
13





14











|   |    |
|---|----|
| V   | X4 |
|  |    |
| M3.5x12mm   |    |


|   |    |
|---|----|
| I   | X1 |
|  |    |
|   |    |

|   |    |
|---|----|
| W   | X1 |
|  |    |
|   |    |

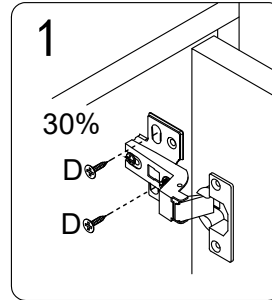
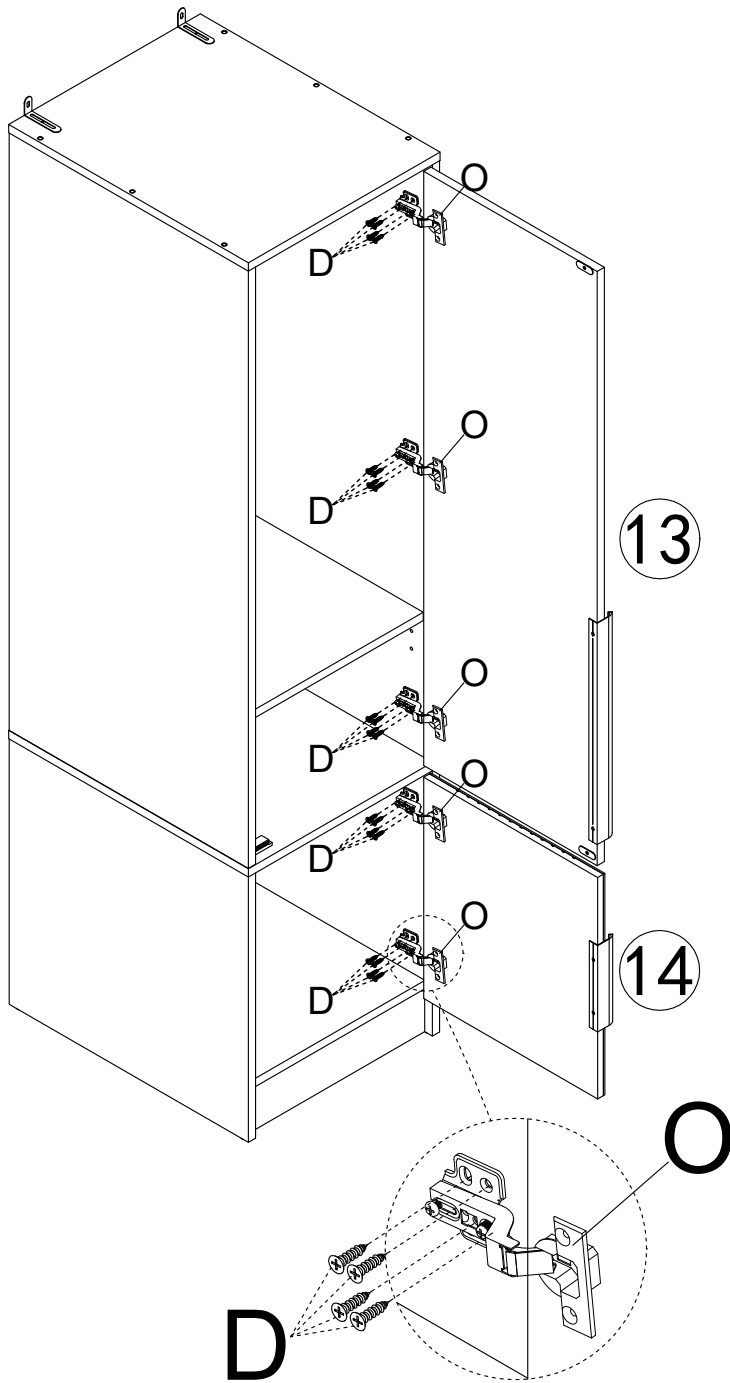
|  |     |
|--|-----|
| D  | X10 |
|  |     |
| M3.5x14mm  |     |

|   |    |
|---|----|
| C   | X2 |
|  |    |
|   |    |

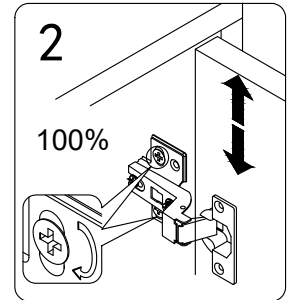
|   |    |
|---|----|
| O   | X5 |
|  |    |
|   |    |

|   |    |
|---|----|
| S   | X2 |
|  |    |
| M3x12mm   |    |

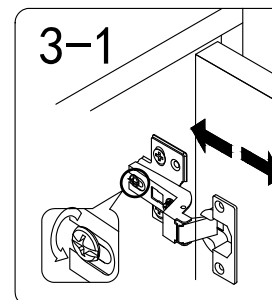
Please install and adjust the hinges strictly in accordance with the detailed steps 1, 2, 3, 4 and 5 to assemble the doors



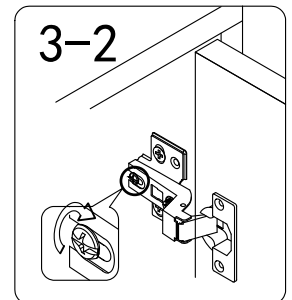
1  
30%  
D  
D  
Tighten the screws only 30% as long as the door can be secured.



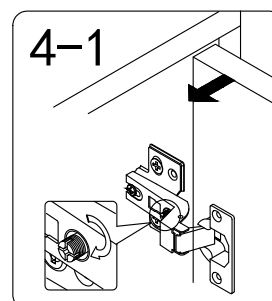
2  
100%  
Move the door up and down until it is centred, then tighten the screw 100%.



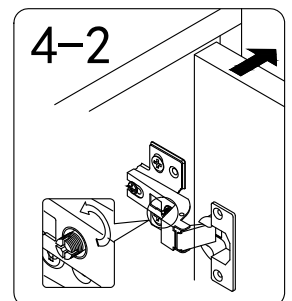
3-1  
Loosen the screw **anti-clockwise**, and move the door **in or out** until it's **aligned** to side board.



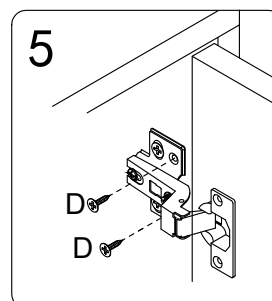
3-2  
Tighten the screw **clockwise** once the door is aligned.




4-1  
To adjust the gap between the door and the side board to be **larger**, turn the screw **clockwise**.



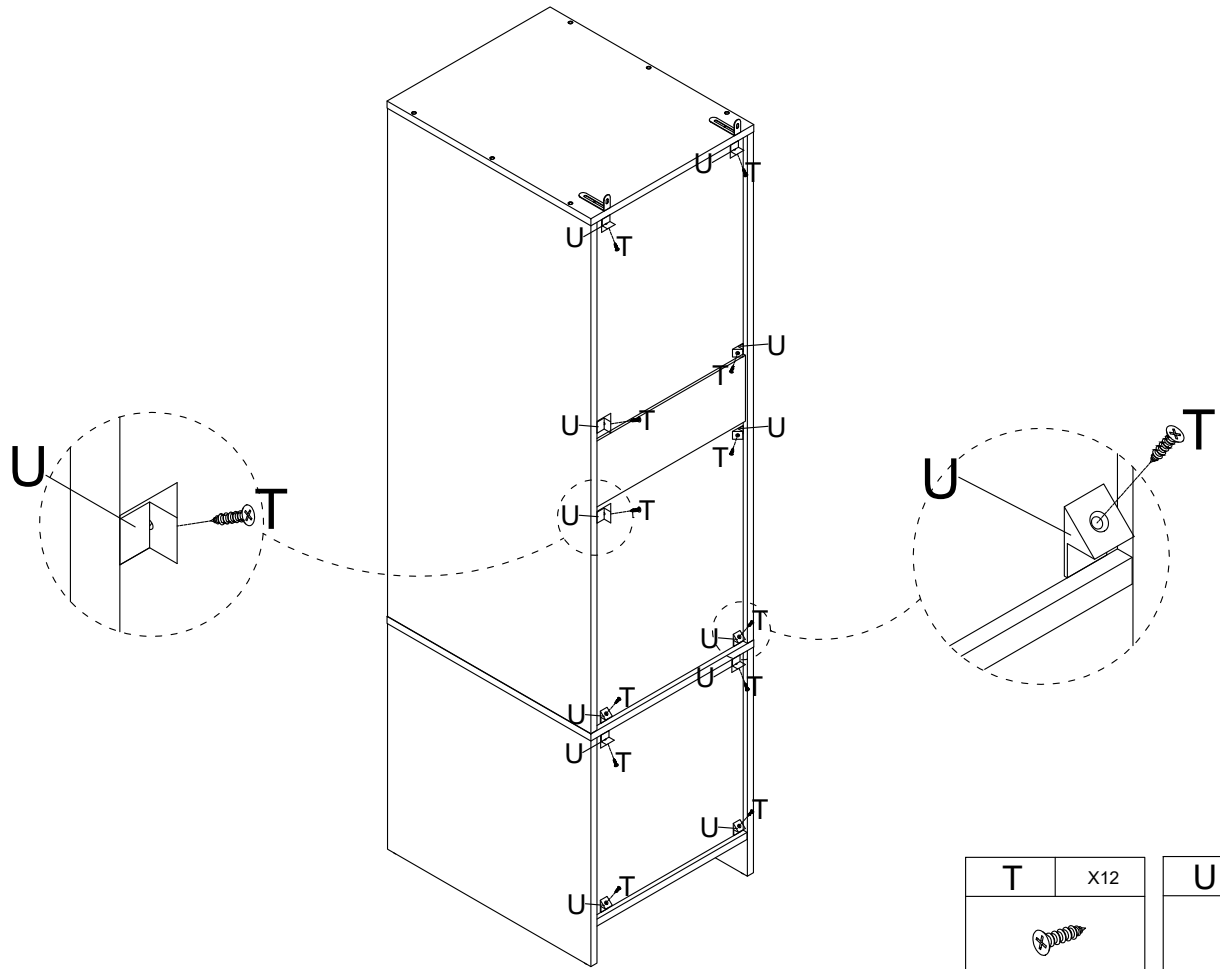
4-2  
To adjust the gap between the door and the side board to be **smaller**, turn the screw **anti-clockwise**.





5  
D  
D  
After adjusting the doors properly above, finally tighten these two screws and secured the door.

|   |     |
|---|-----|
| D   | x20 |
|  |     |
| M3.5x14mm   |     |

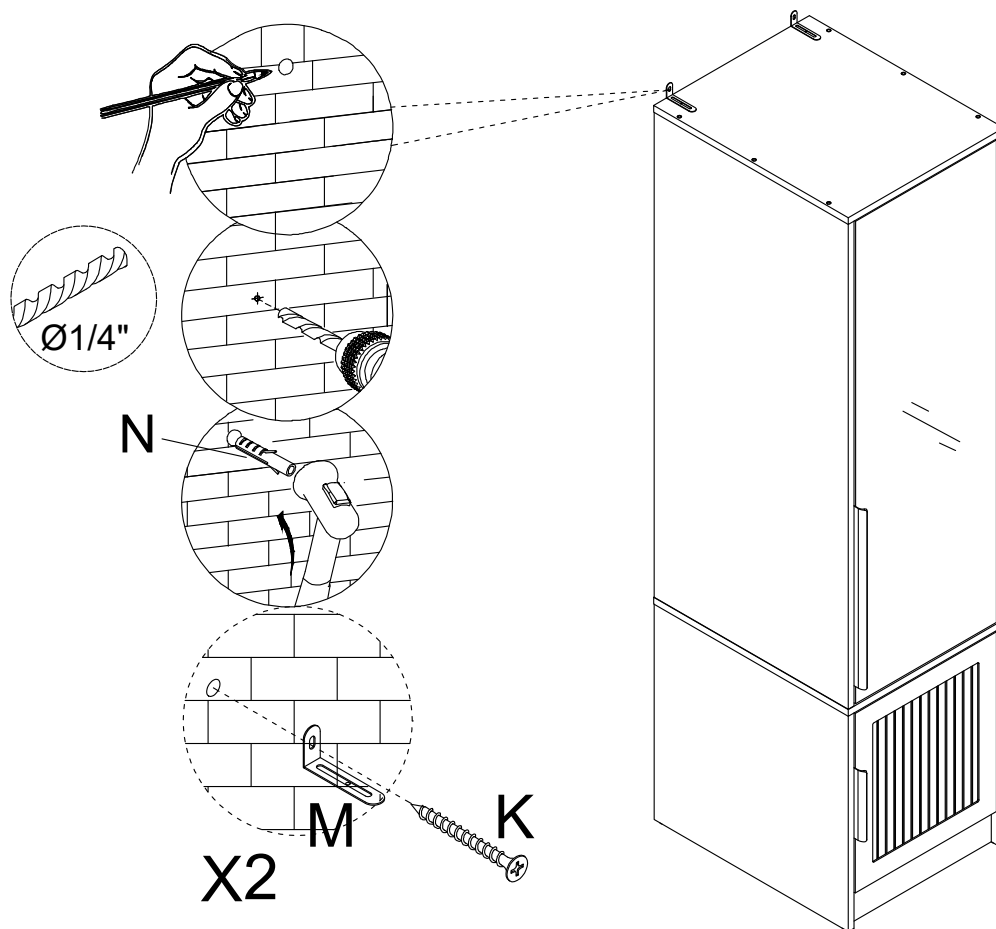
20





|   |     |
|---|-----|
| T   | X12 |
|  |     |
| M3x16mm   |     |

|   |     |
|---|-----|
| U   | X12 |
|  |     |

21



|   |    |
|---|----|
| N   | X2 |
|  |    |
| Ø6x30mm   |    |

|   |    |
|---|----|
| K   | X2 |
|  |    |
| M4x35mm   |    |

