



PREMIER
COPPER PRODUCTS

MODEL NUMBER: K50DB33199

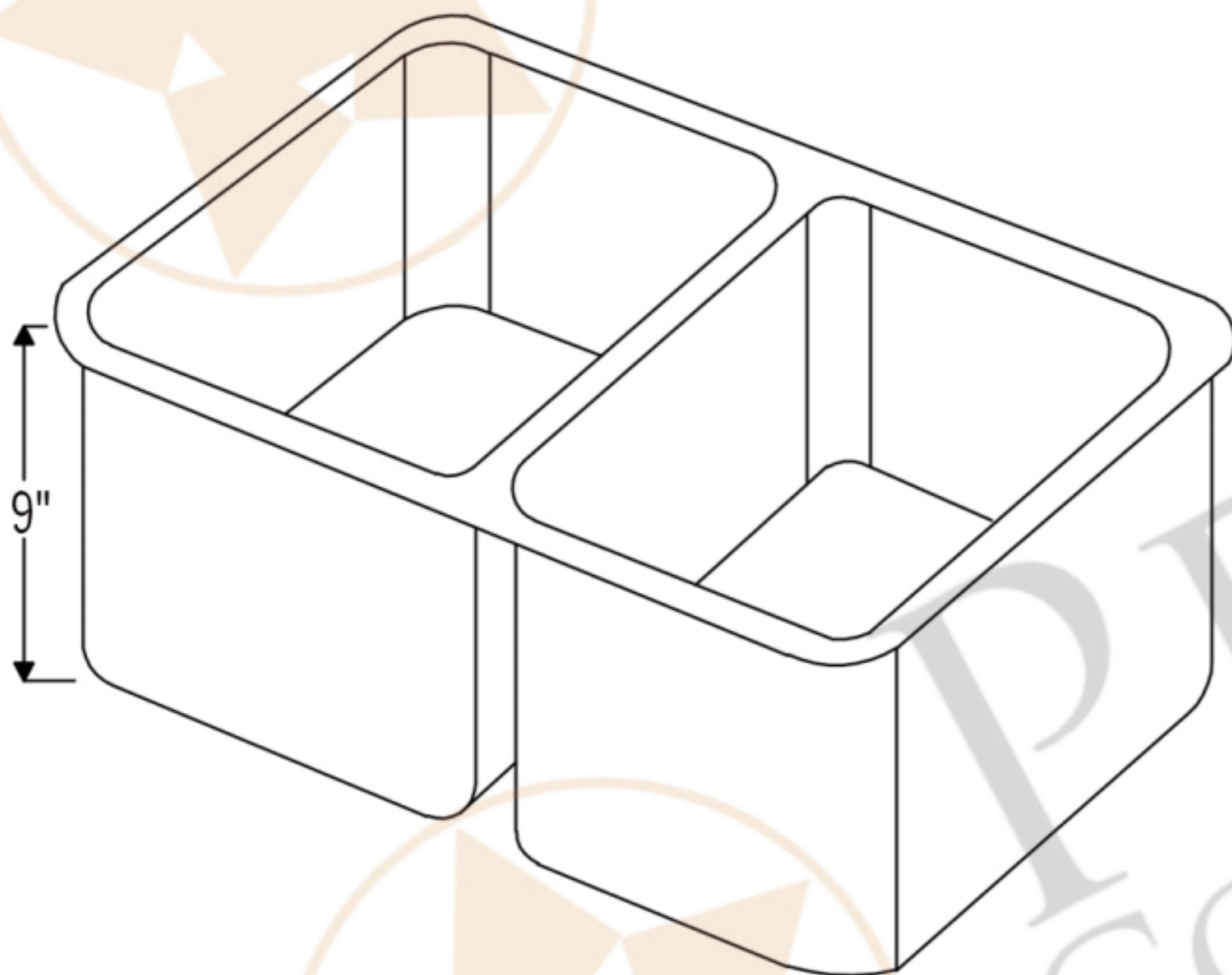
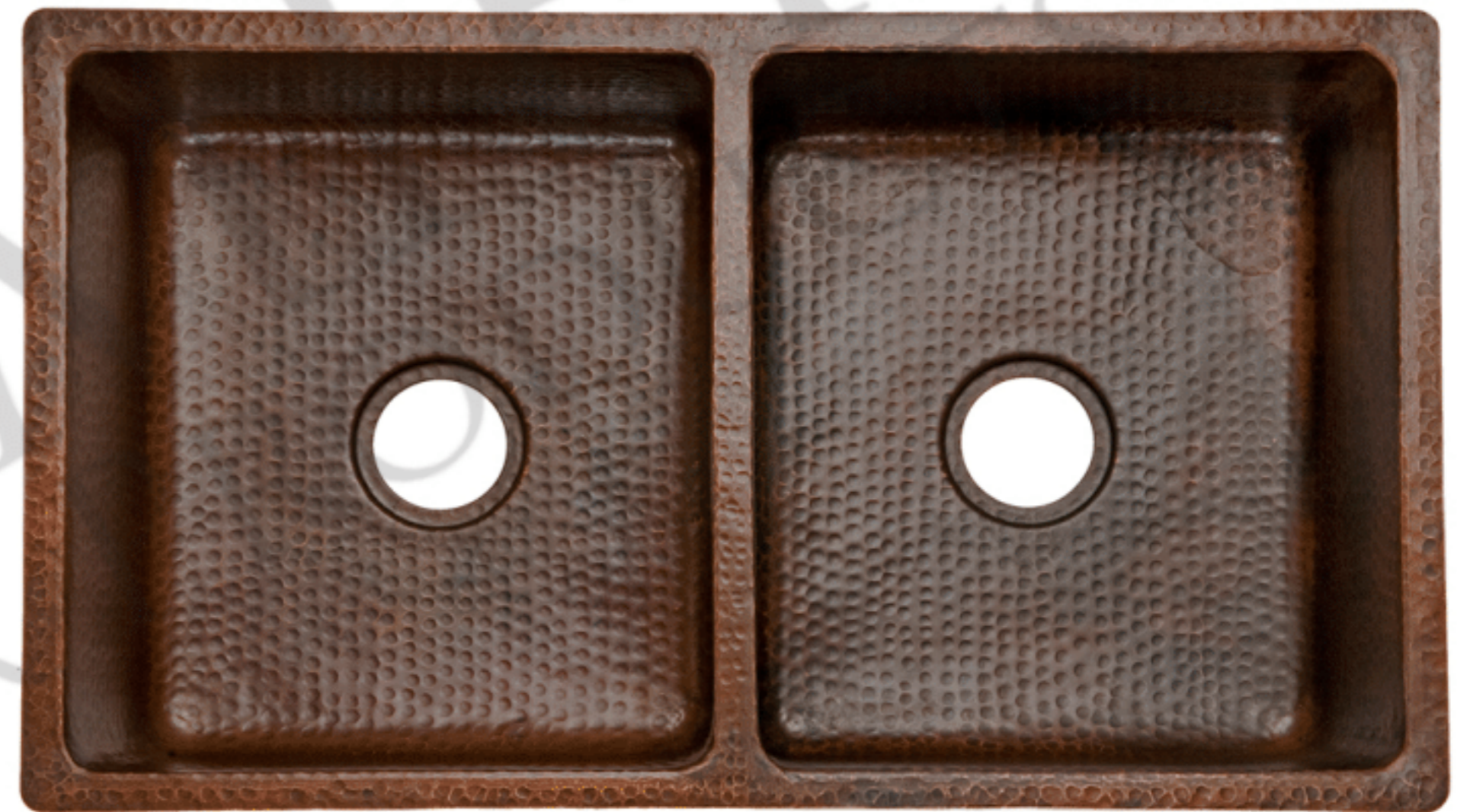
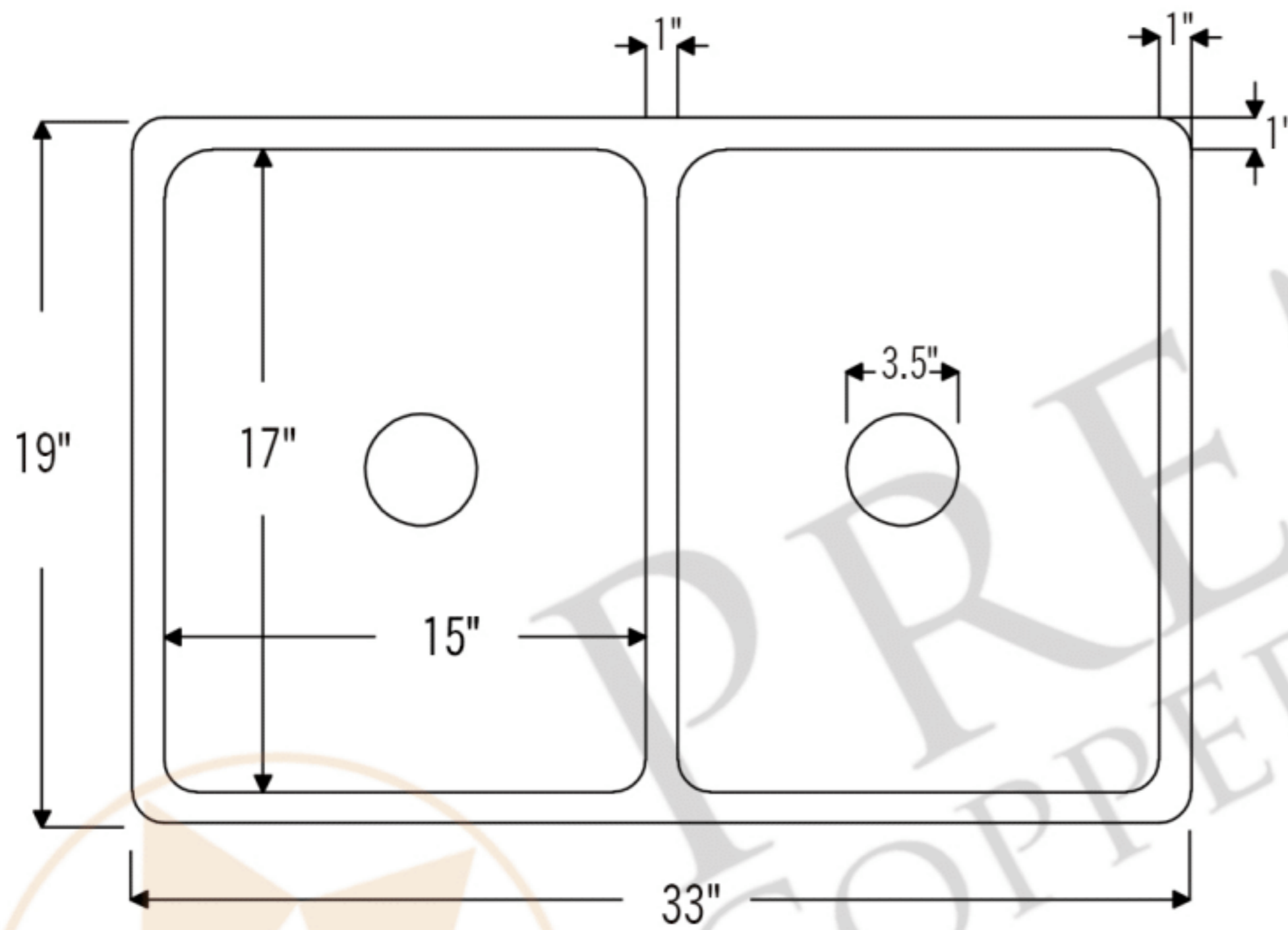
- * Description: 33" Hammered Copper Kitchen 50/50 Double Basin Sink
- * Outer Dimension: 33" x 19" x 9"
- * Inner Dimension: L: 15" x 17" x 9" / R: 15" x 17" x 9"
- * Rim: 1"
- * Divider: 1" Wide (Optimized)
- * Drain Opening: 3.5"
- * Finish: Oil Rubbed Bronze

CODE/STANDARD COMPLIANCE

* IAPMO/cUPC LISTED



* ORB: Oil Rubbed Bronze



THIS PRODUCT IS HAND CRAFTED, SMALL VARIANCES IN COLOR AND SIZE MAY OCCUR.
DO NOT MAKE ANY INSTALLATION CUTS UNTIL YOU RECEIVE YOUR ITEM(S).