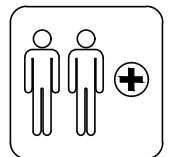
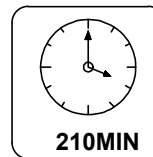
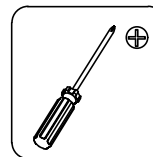
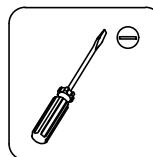
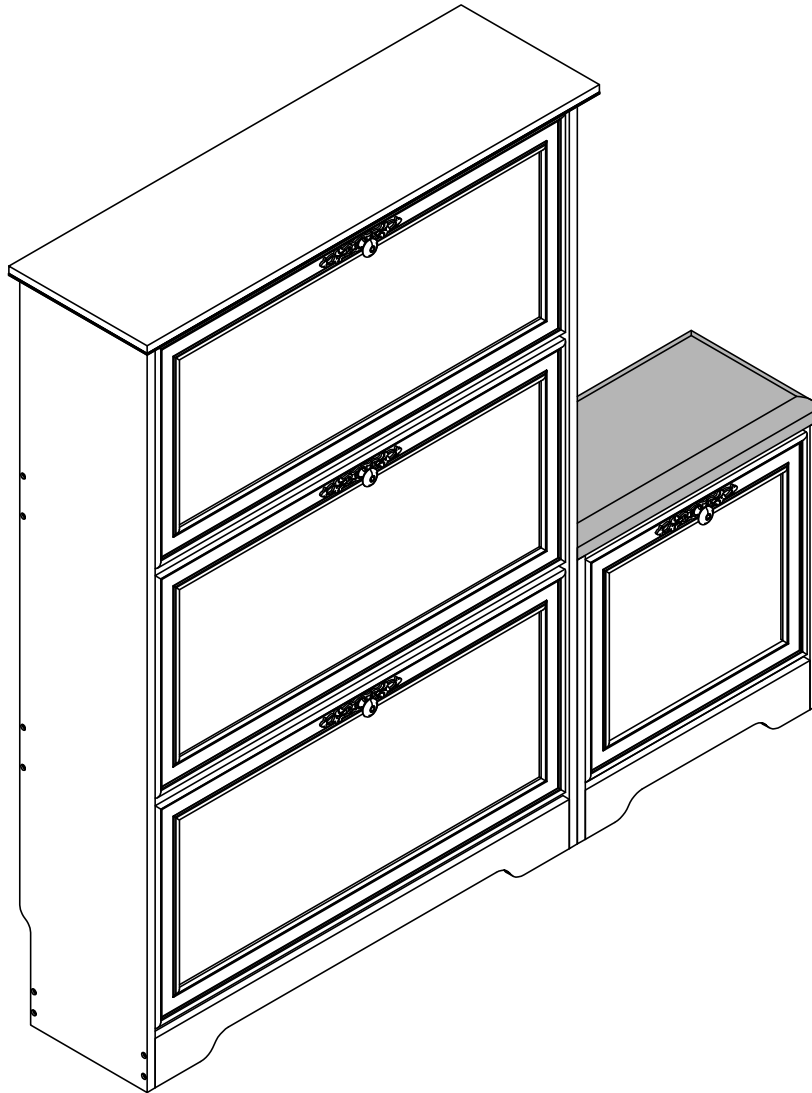


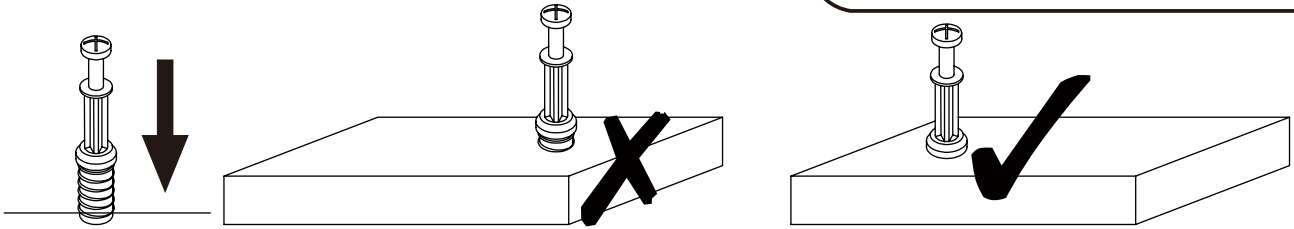
Installation & Assembly

Version:1.0

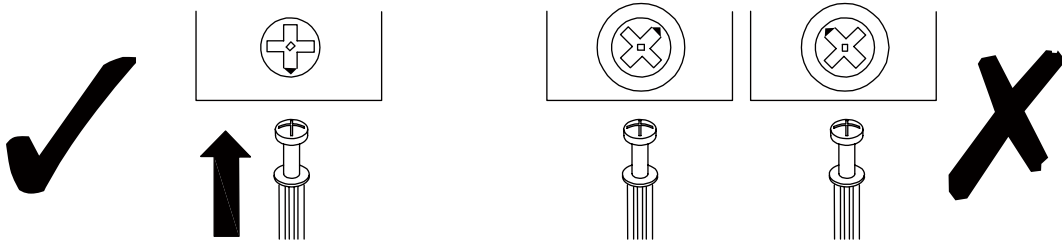


EN_IMPORTANT, RETAIN FOR FUTURE REFERENCE: READ CAREFULLY.

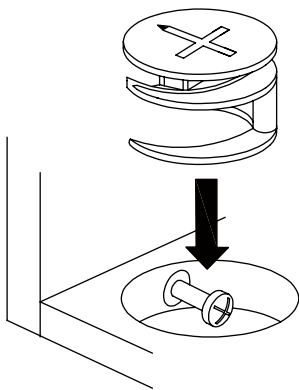
USING CAM LOCK AND QUICKFIT



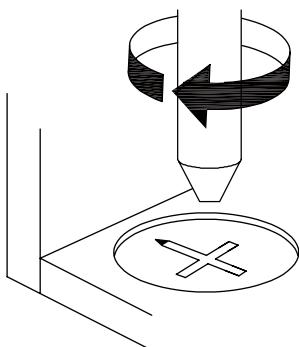
EN_QUICKFIT: Tighten quickfit until shoulder is flush with panel. Do not overtighten or undertighten.



EN_CAM LOCK: When fitting cam lock, ensure starting position is correct before you insert connecting quickfit.

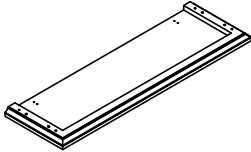
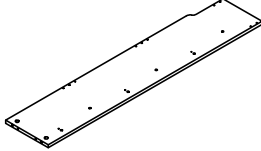
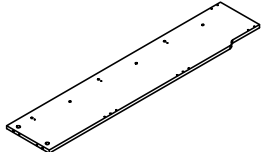
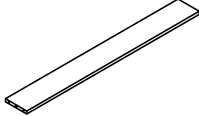
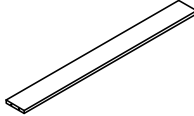
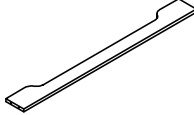
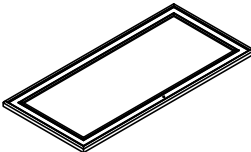
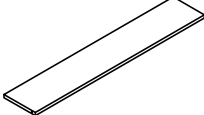
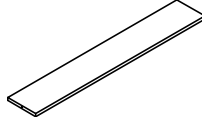
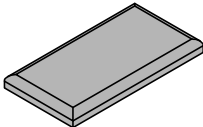


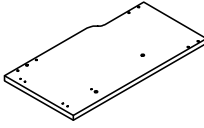
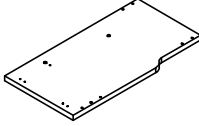
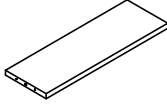


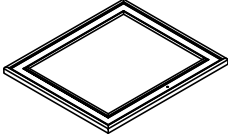
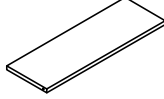
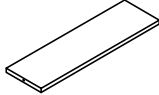

EN_Quickfit head should be in the centre of the cam lock when the two panels are joined.
Cam lock should be inserted before quickfit.

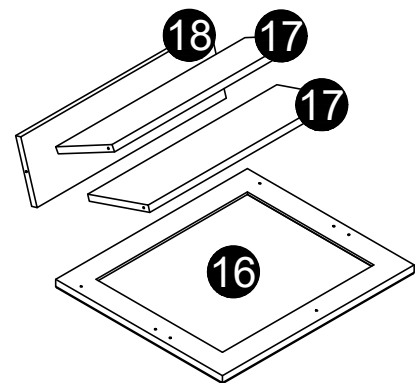
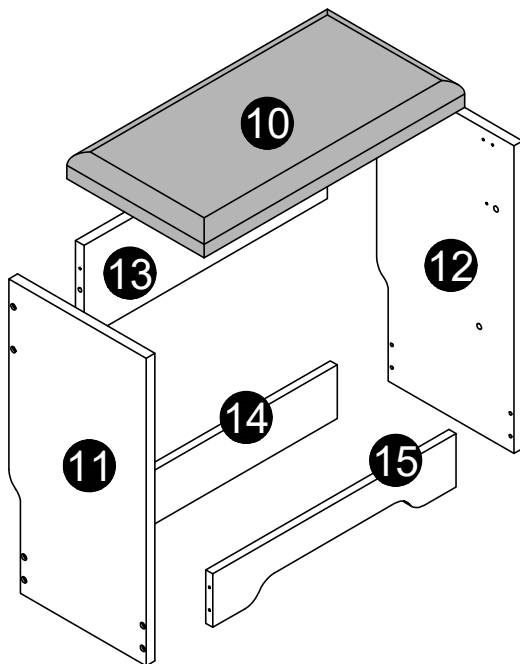
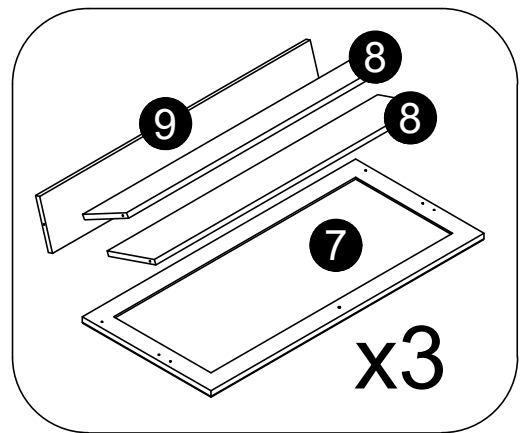
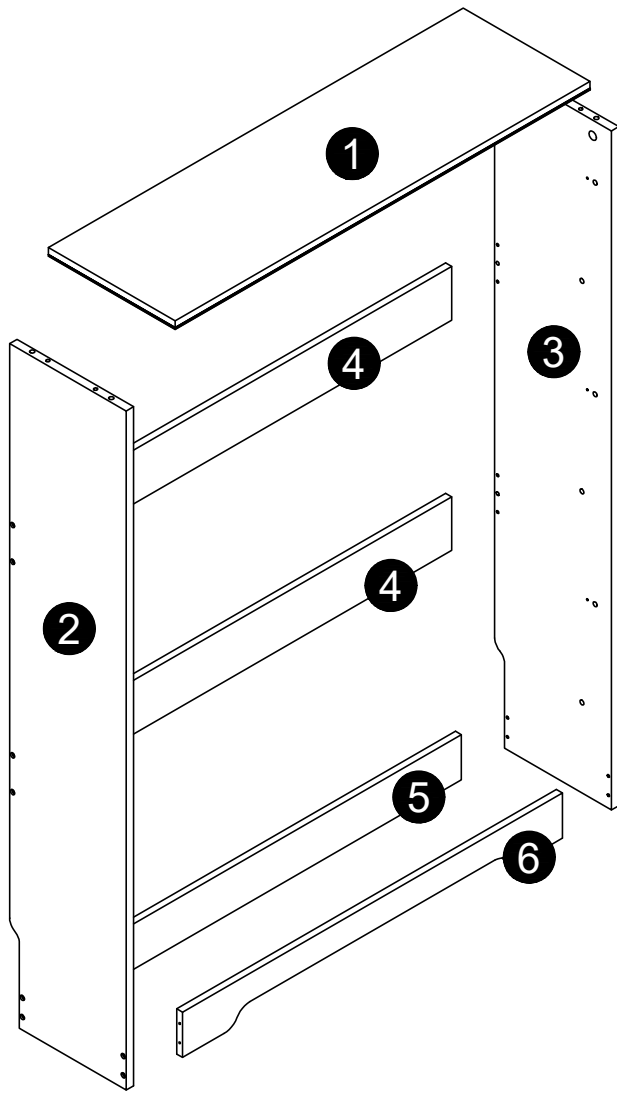


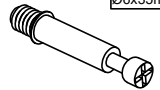

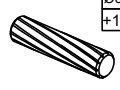
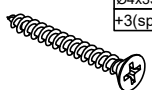
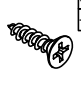
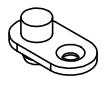


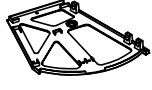
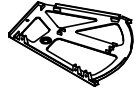
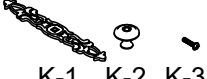
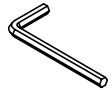

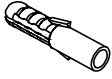

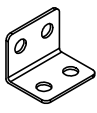
EN_Turn cam lock clockwise to tighten.


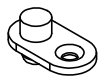
PACKING DELALS

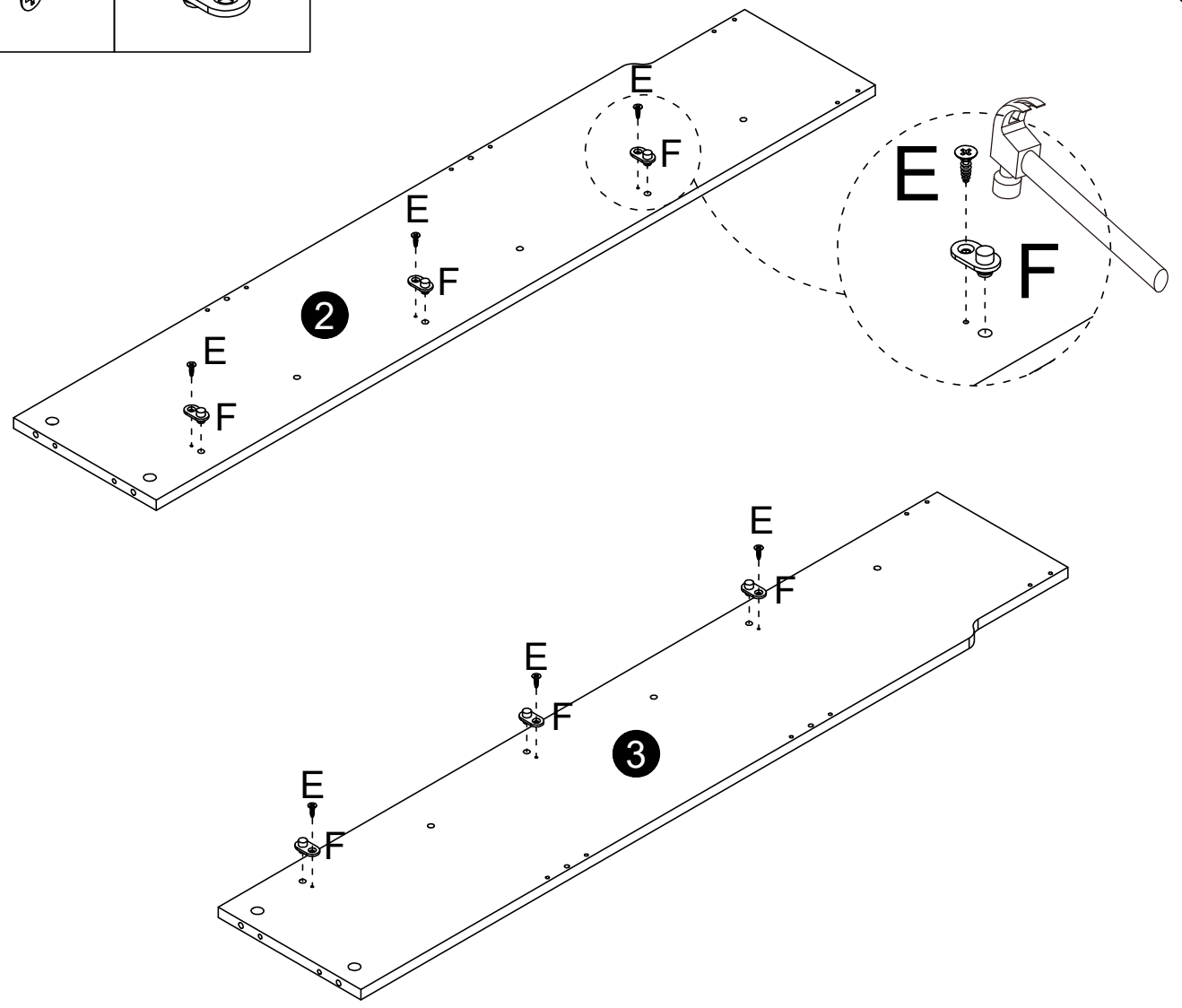
NO.	PARTS	QTY	SPARE
①		x1	
②		x1	
③		x1	
④		x2	
⑤		x1	
⑥		x1	
⑦		x3	
⑧		x6	
⑨		x3	
⑩		x1	

NO.	PARTS	QTY	SPARE
⑪		x1	
⑫		x1	
⑬		x1	
⑭		x1	
⑮		x1	
⑯		x1	
⑰		x2	
⑱		x1	
	 Hardware Kit	x1	



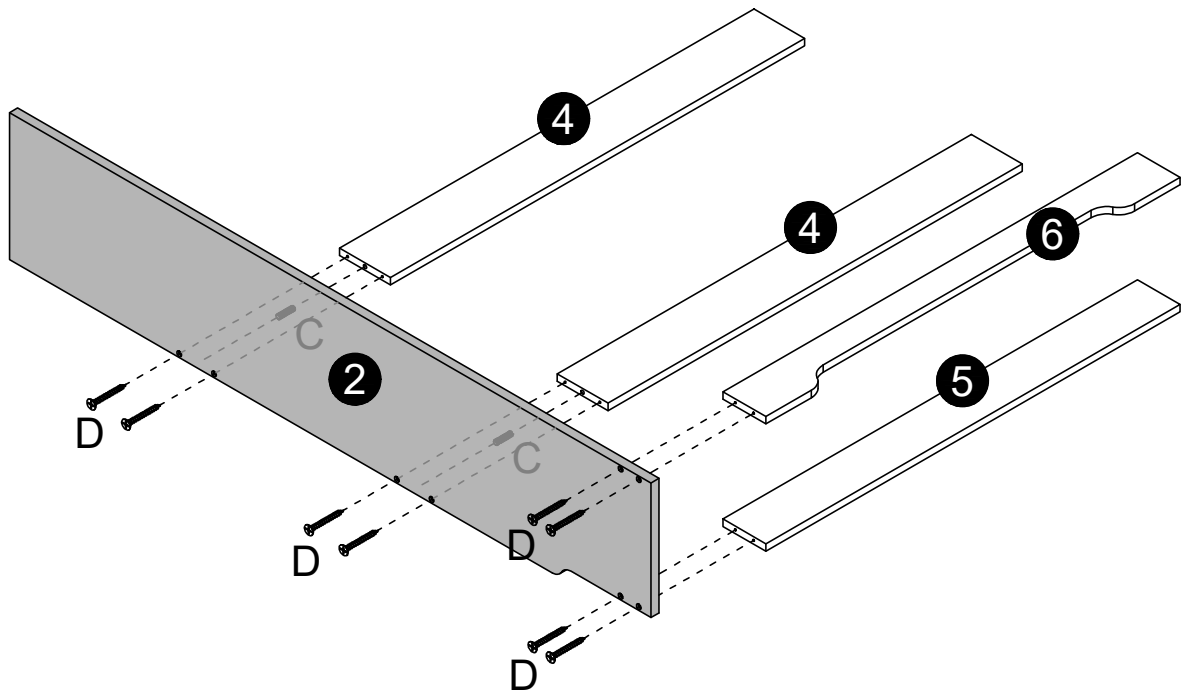
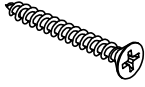
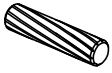
<p>A x4 Ø6x35mm</p> 	<p>B x4 Ø15x10mm</p> 	<p>C x10 Ø6x30mm +1(spare)</p> 	<p>D x30 Ø4x35mm +3(spare)</p> 	<p>E x72 Ø3.5x12mm +7(spare)</p> 	<p>F x8</p> 
<p>G x8</p> 	<p>H x8</p> 	<p>I x4</p> 	<p>J x4</p> 	<p>K x4 K-1 K-2 K-3</p> 	<p>L x1</p> 
<p>M x2 M-1 M-2</p> 	<p>N x2</p> 	<p>O x28</p> 	<p>P x4</p> 		

<p>E x6</p> 	<p>F x6</p> 
--	--



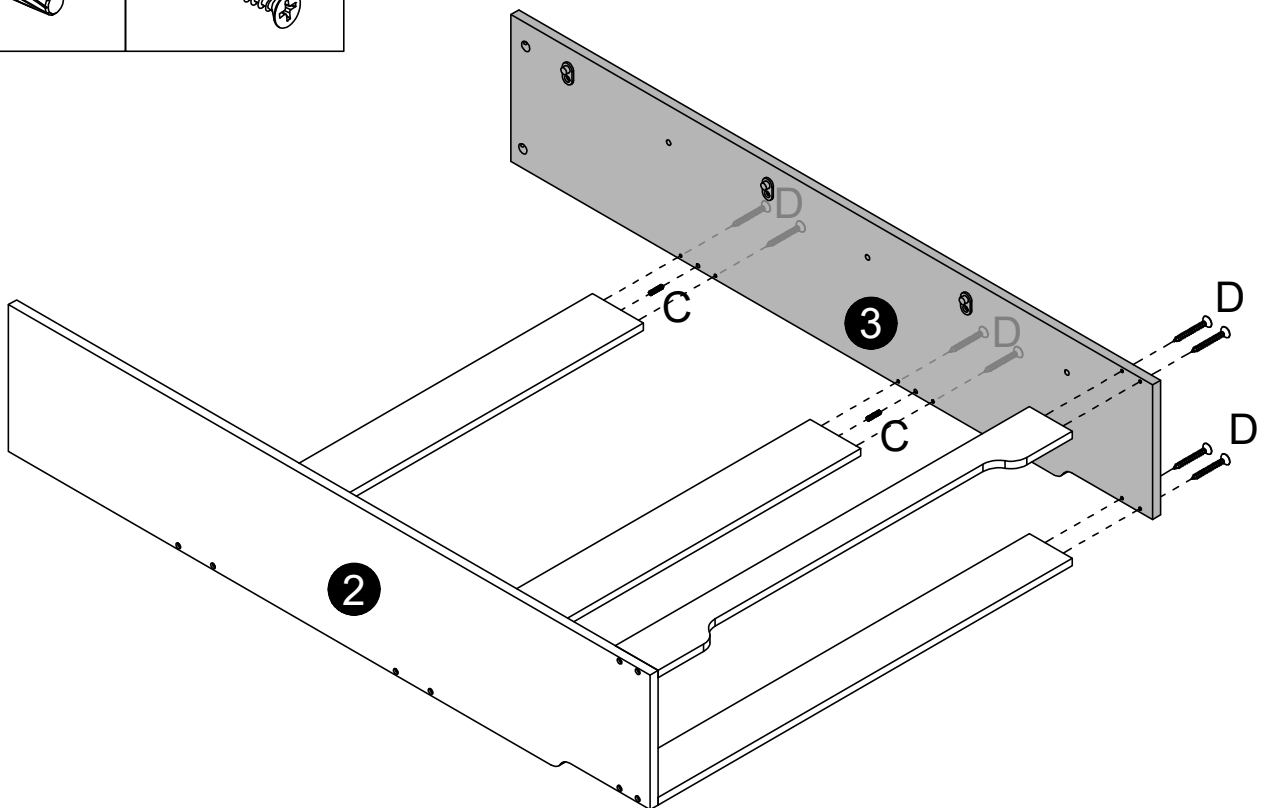
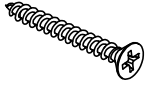
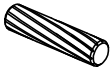
C x2

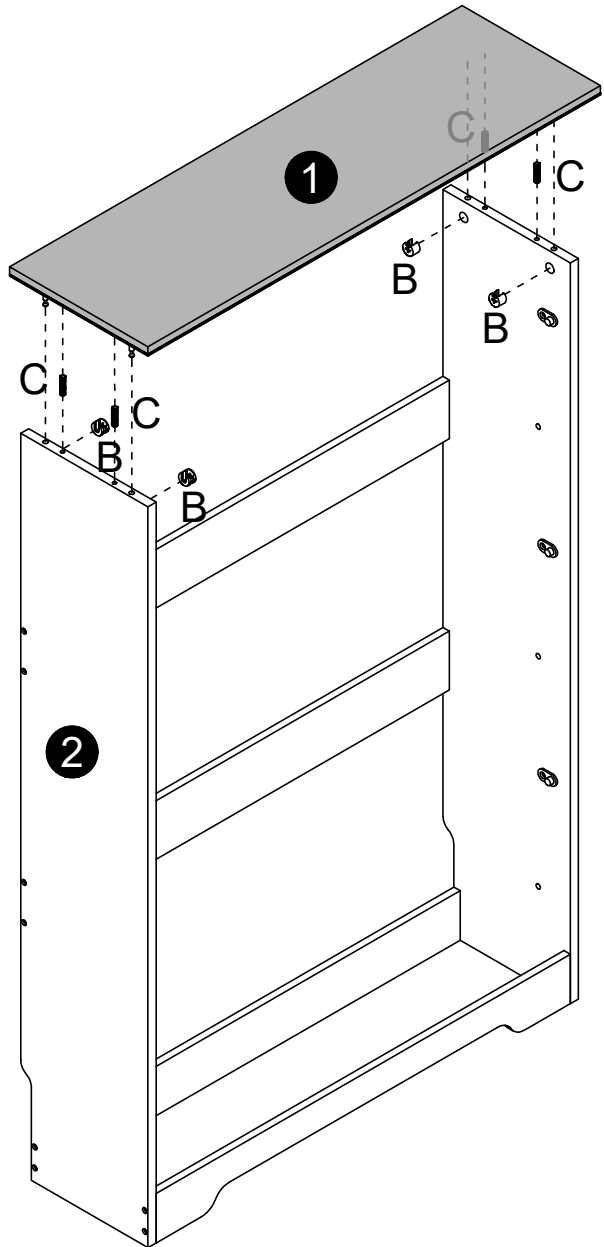
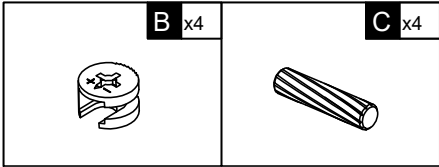
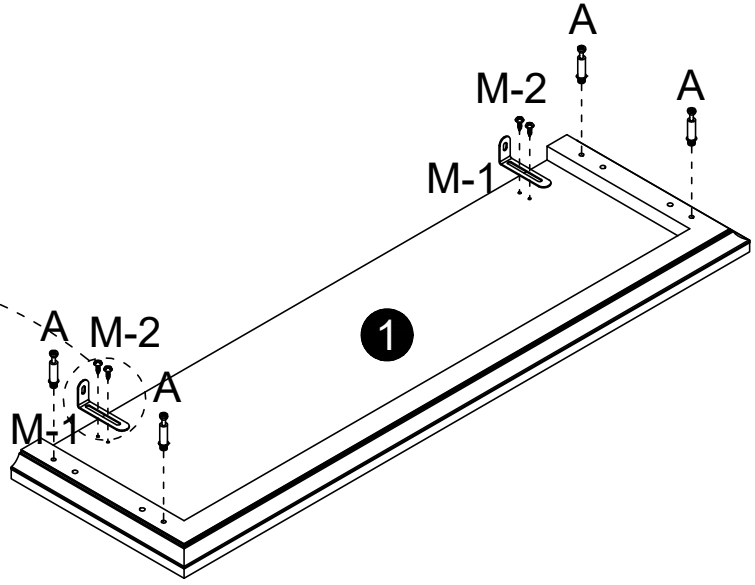
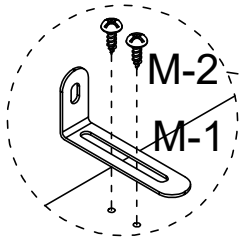
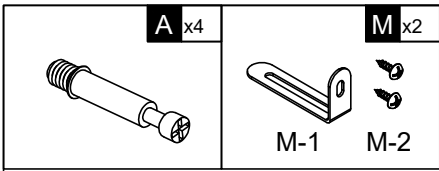
D x8



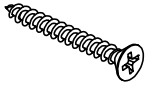
C x2

D x8

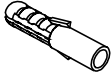




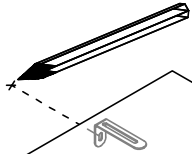
D x2



N x2



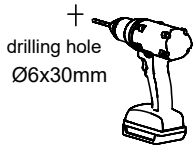
WALL



(1)x2

First, use a ruler to measure the approximate height of the product on the wall, and then mark it with a pen.

WALL

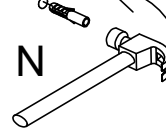


drilling hole
Ø6x30mm

(2)x2

Then use a tape drill to make holes in the wall that are suitable for the product screws.

WALL

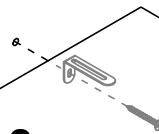


N

(3)x2

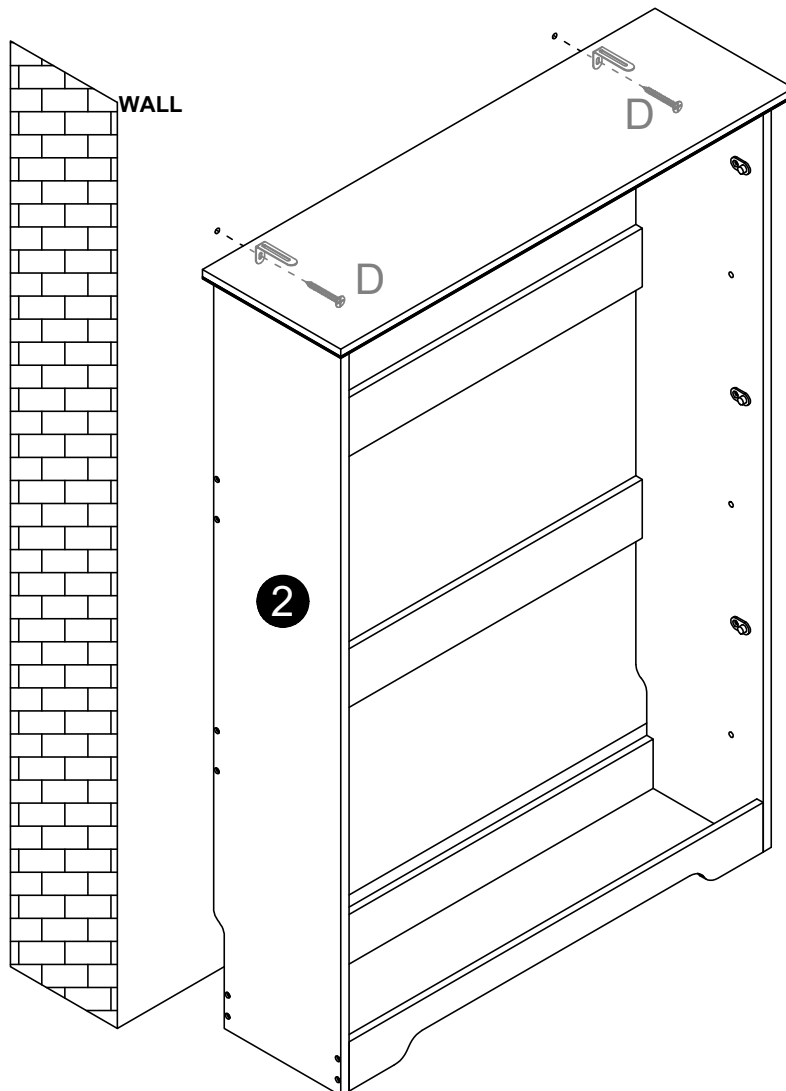
Then, put the expansion bolt into the hole

WALL



(4)x2

Finally, pass the matching screws through the "anti-rewind" and tighten them to fix them on the wall.

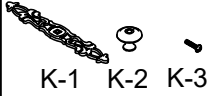
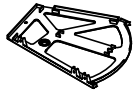
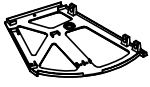


E x30

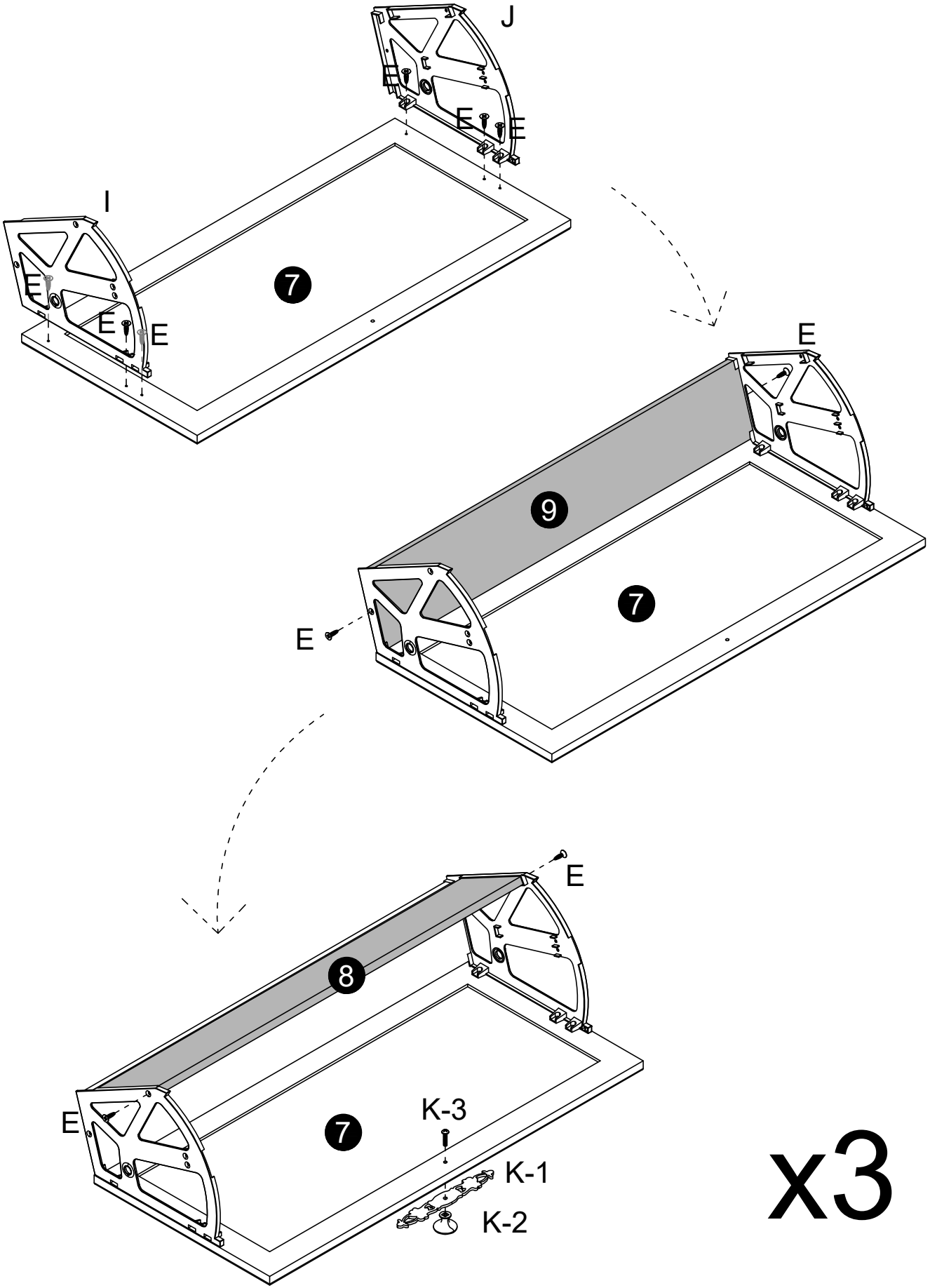
I x3

J x3

K x3



K-1 K-2 K-3



x3

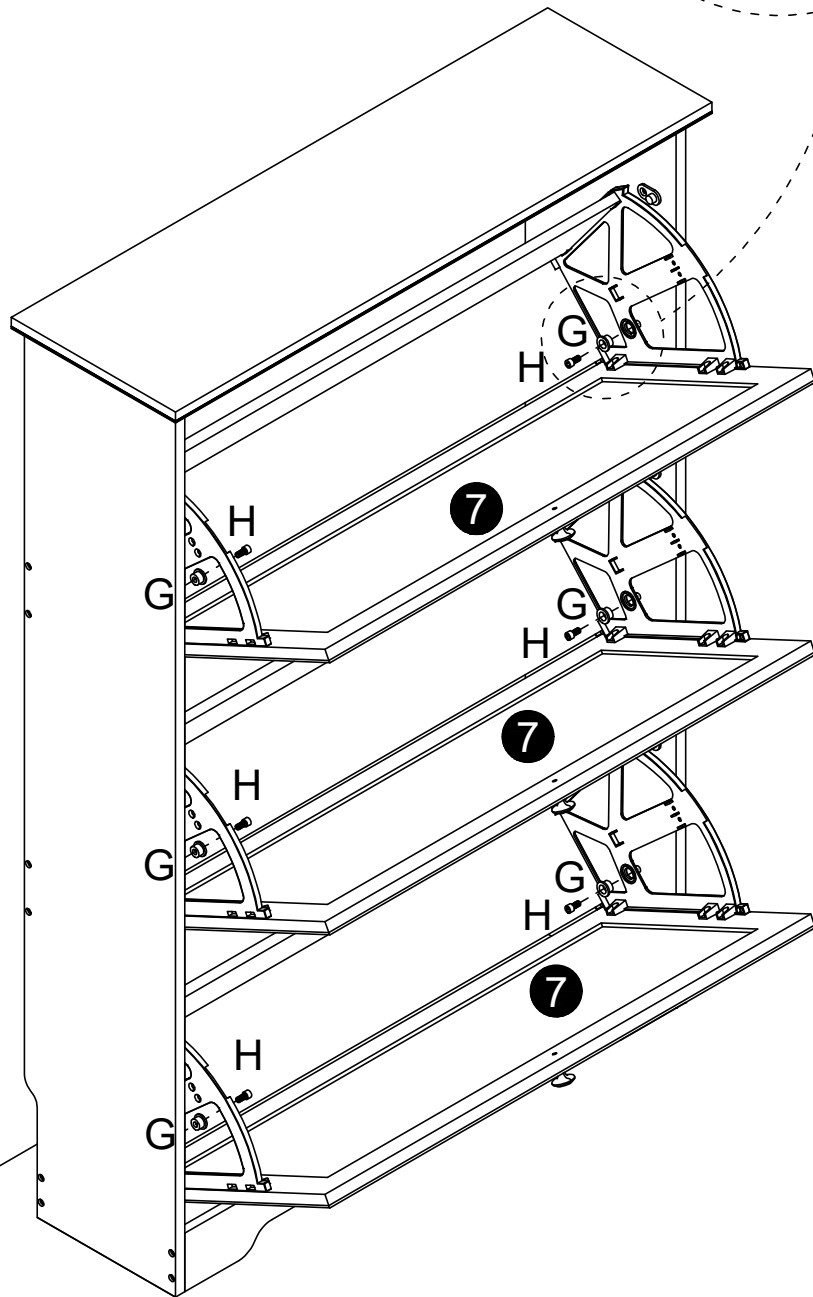
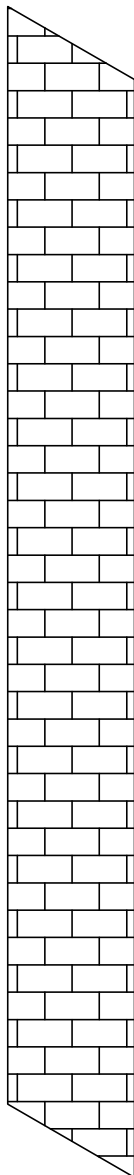
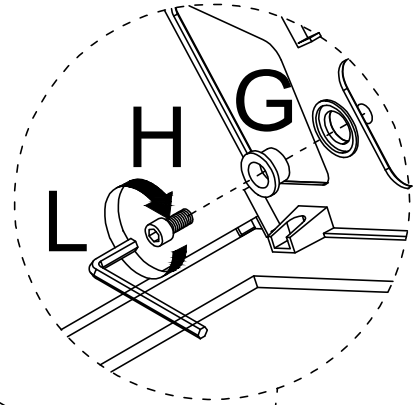
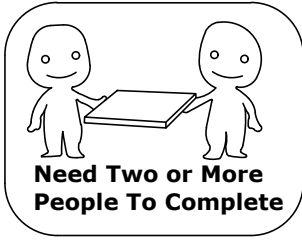
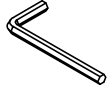
G x6



H x6



L x1

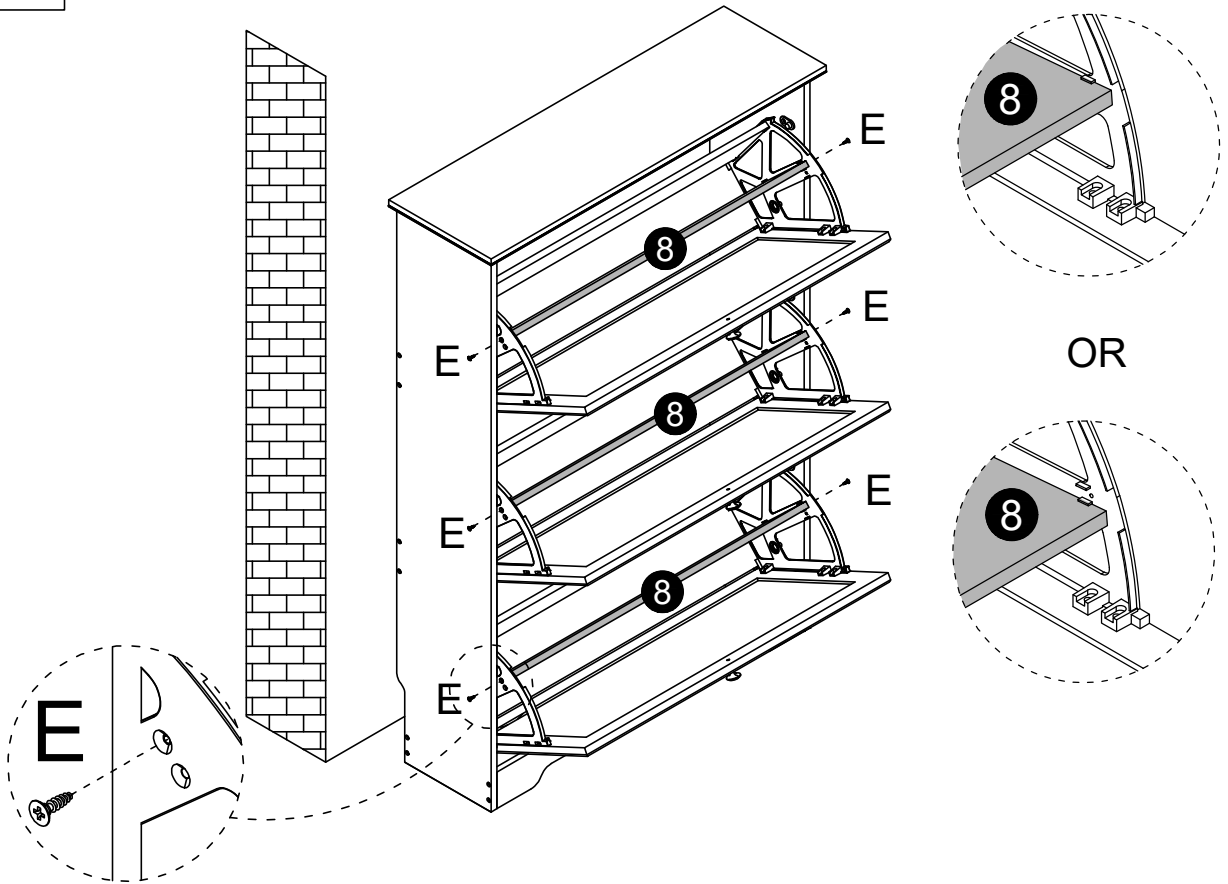


When installing H, it is sufficient to reach 90% progress. Installing 100% may cause damage to G.

E x6

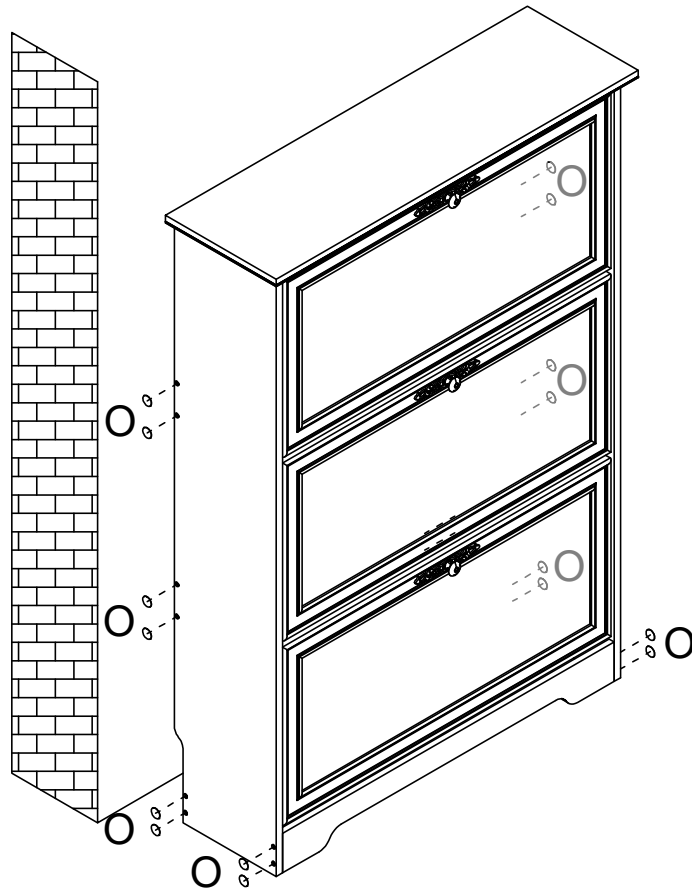


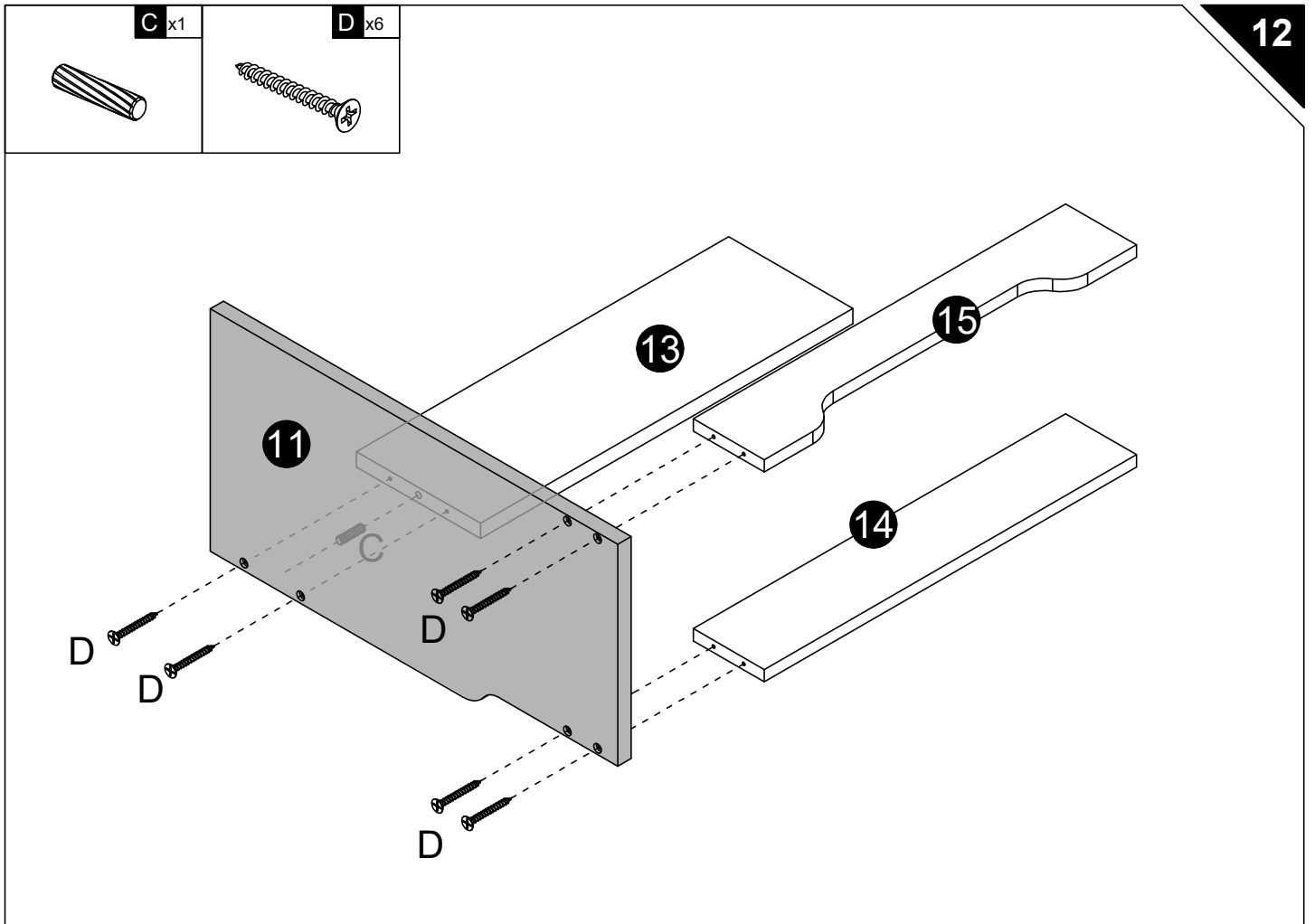
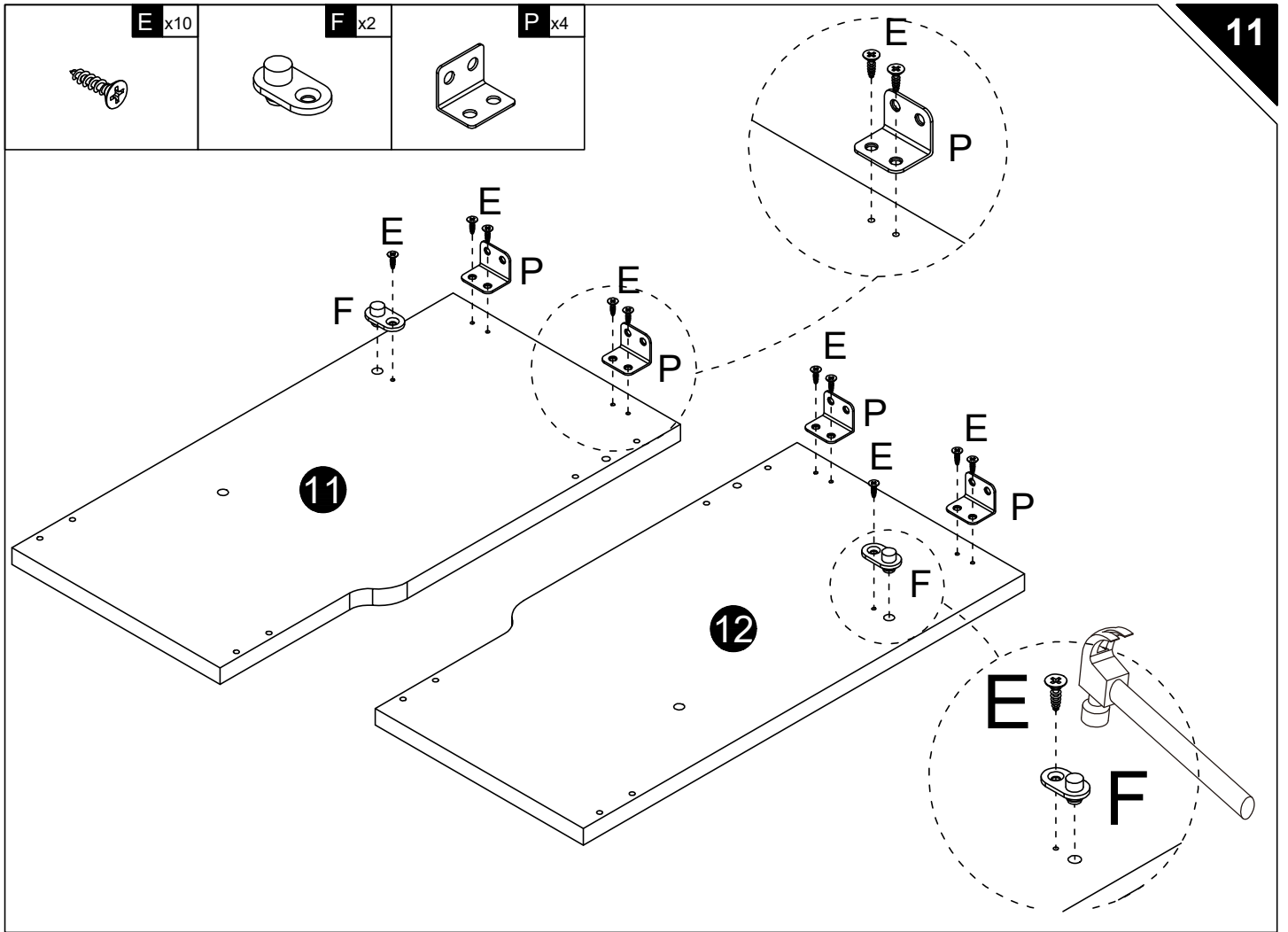
09



O x16

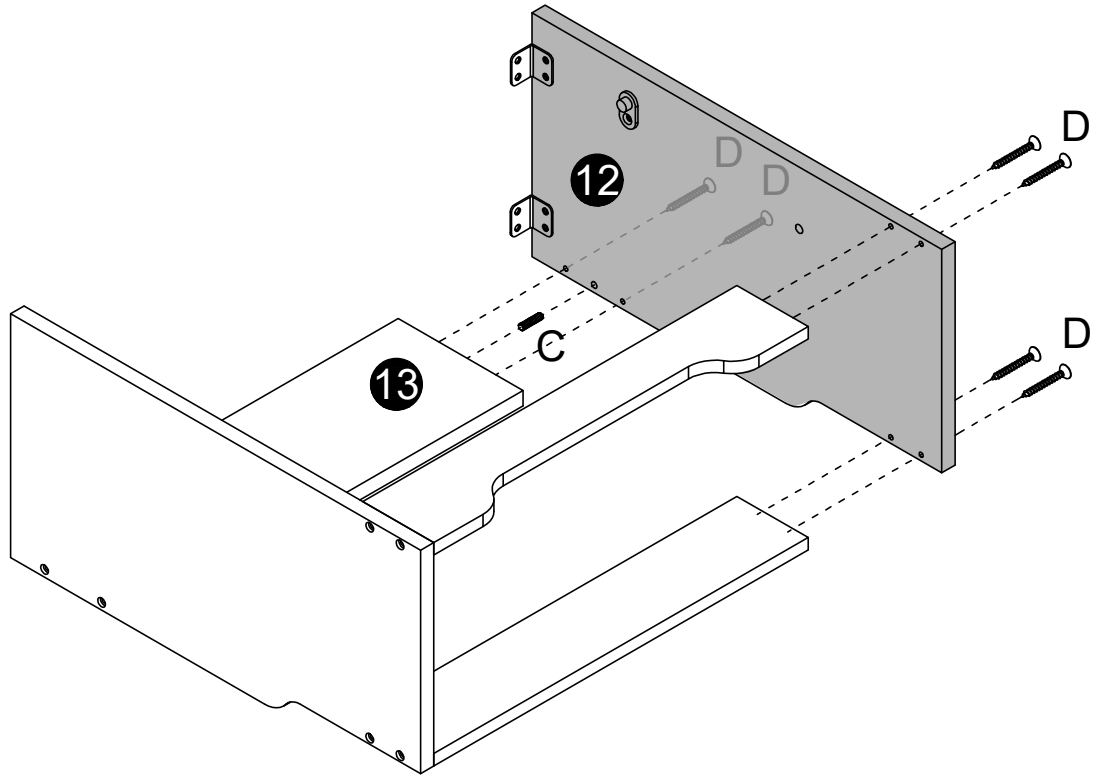
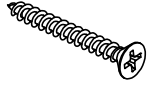
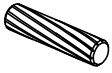
10



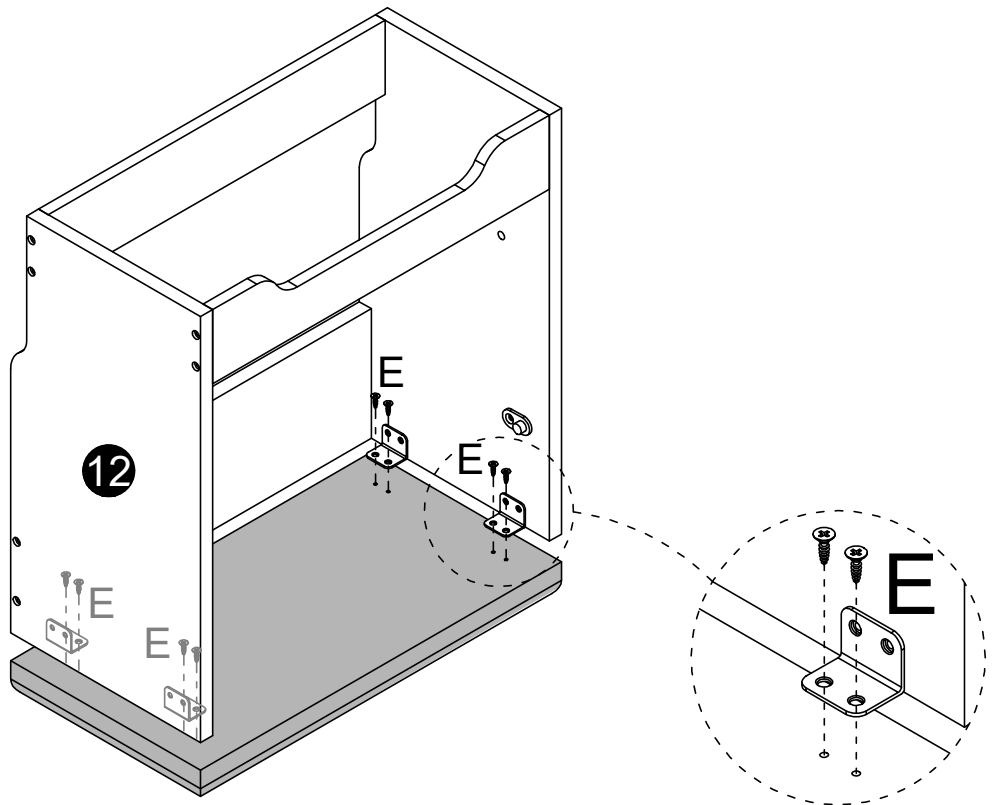


C x1

D x6



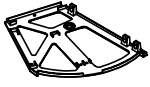
E x8



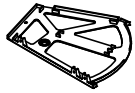
E x10



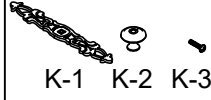
I x1



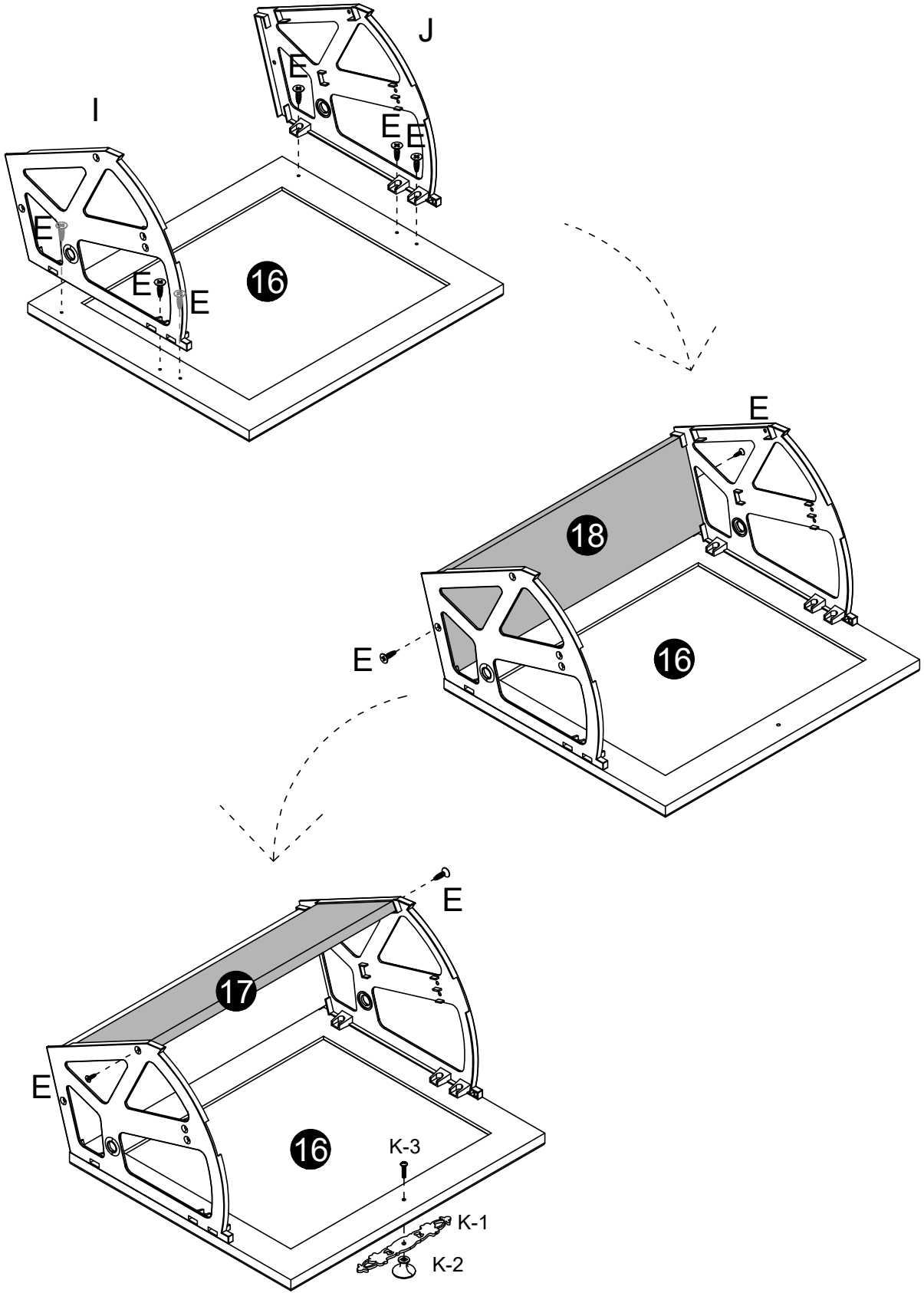
J x1



K x1



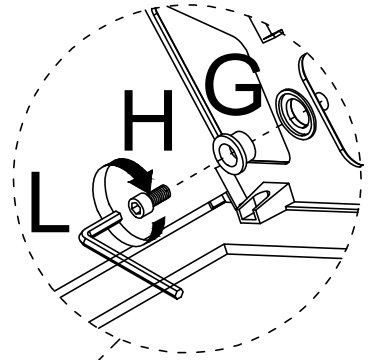
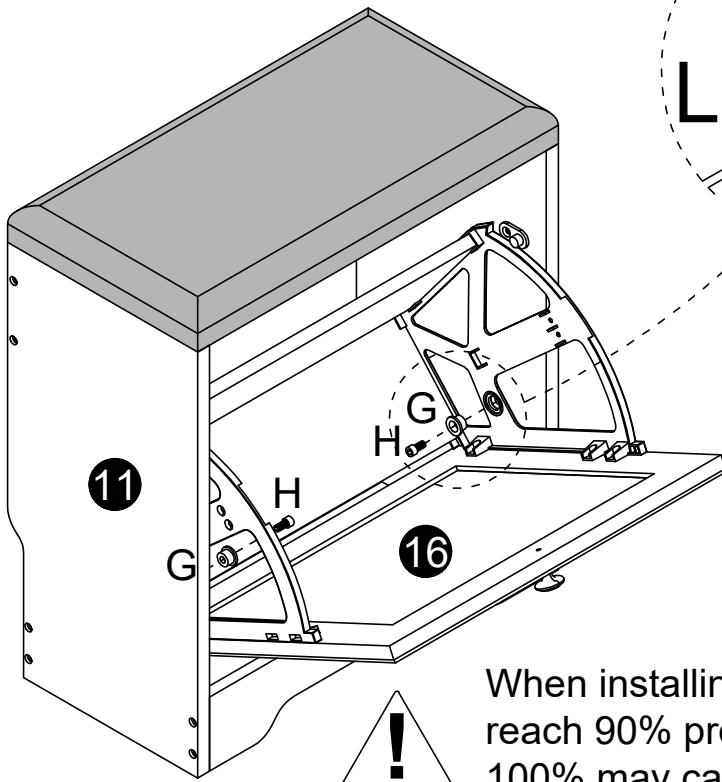
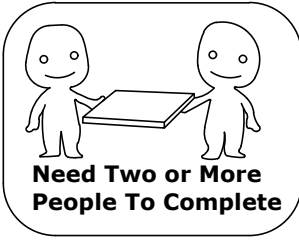
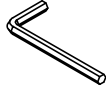
K-1 K-2 K-3



G x2

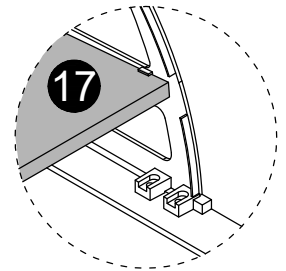
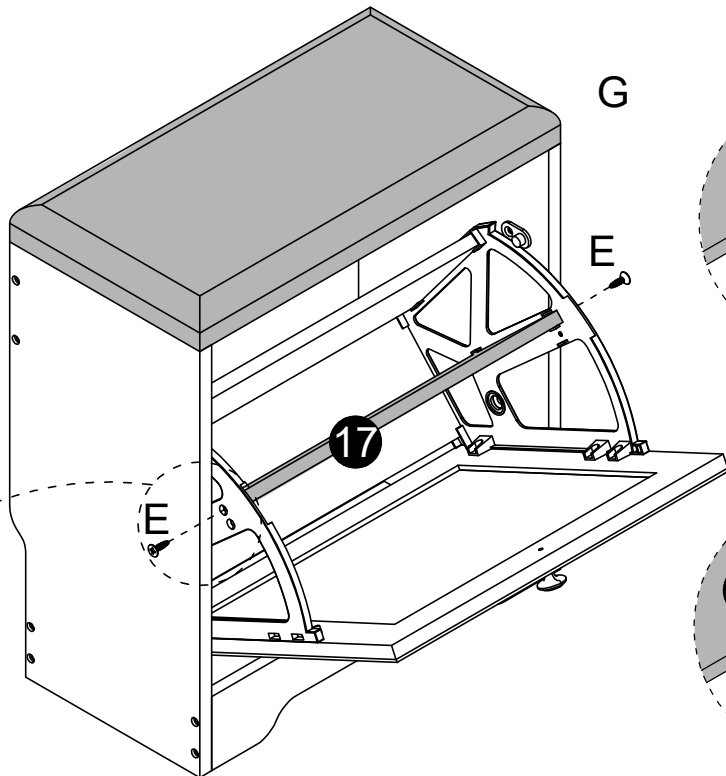
H x2

L x1

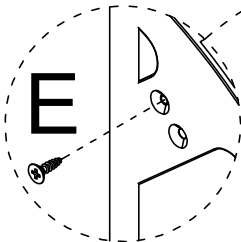
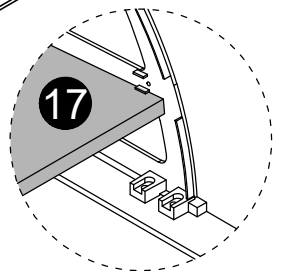


When installing H, it is sufficient to reach 90% progress. Installing 100% may cause damage to G.

E x2

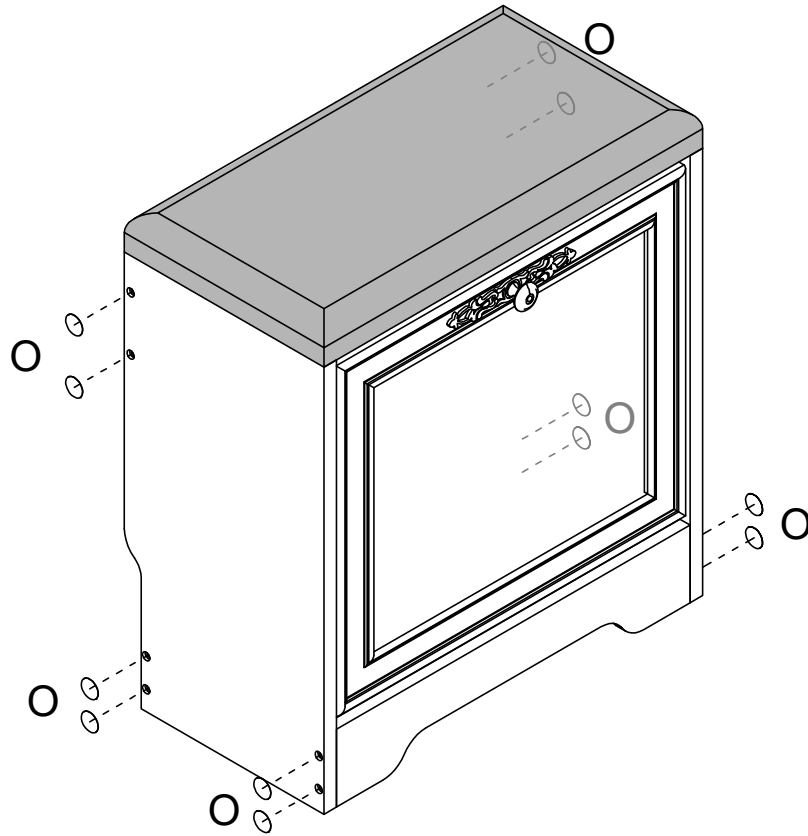


OR



○ x12

18



Done

