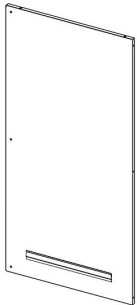
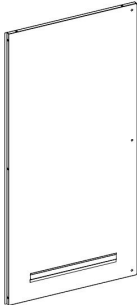
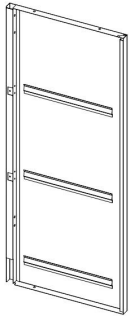
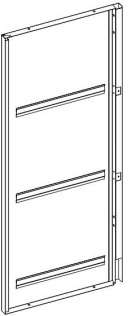
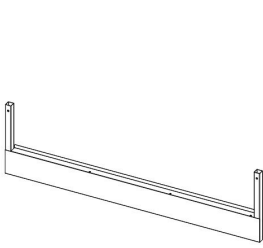
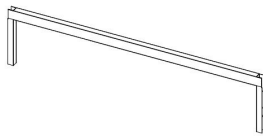
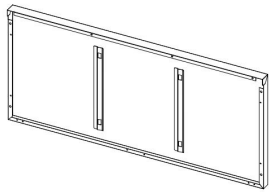
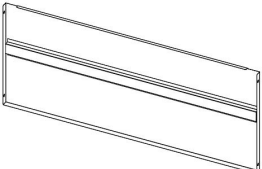
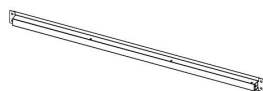
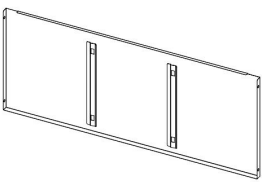
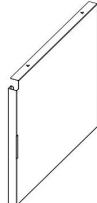
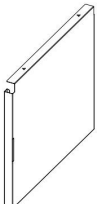
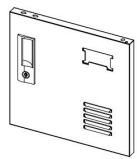
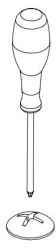






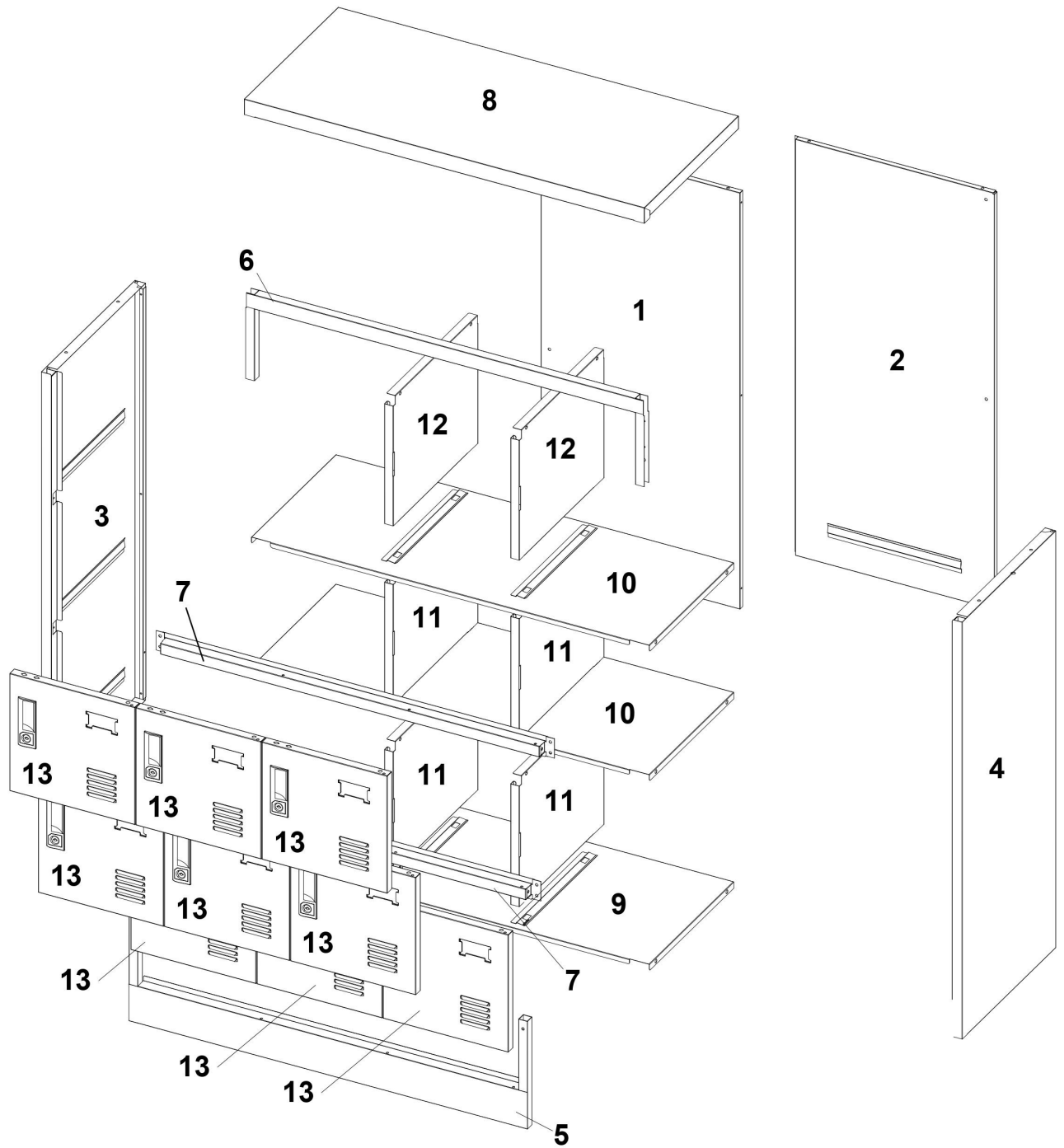
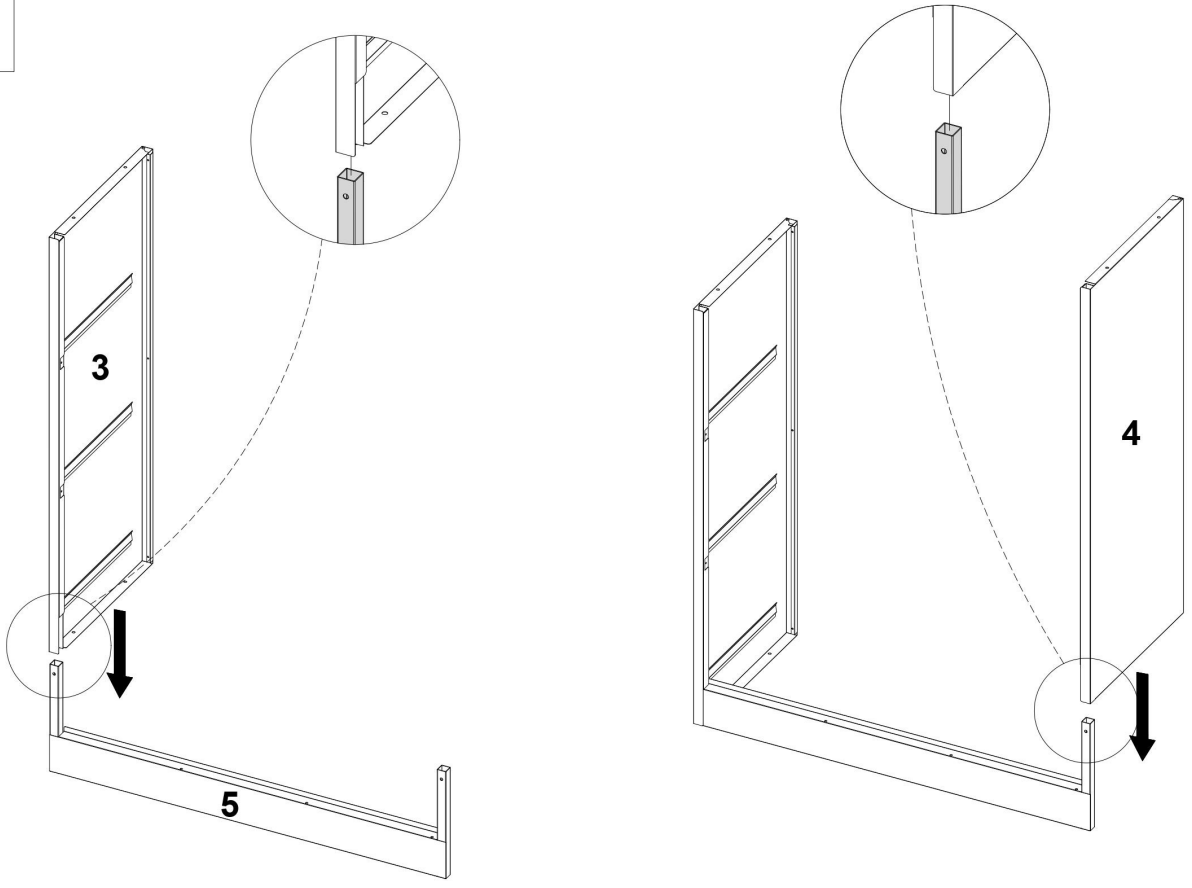


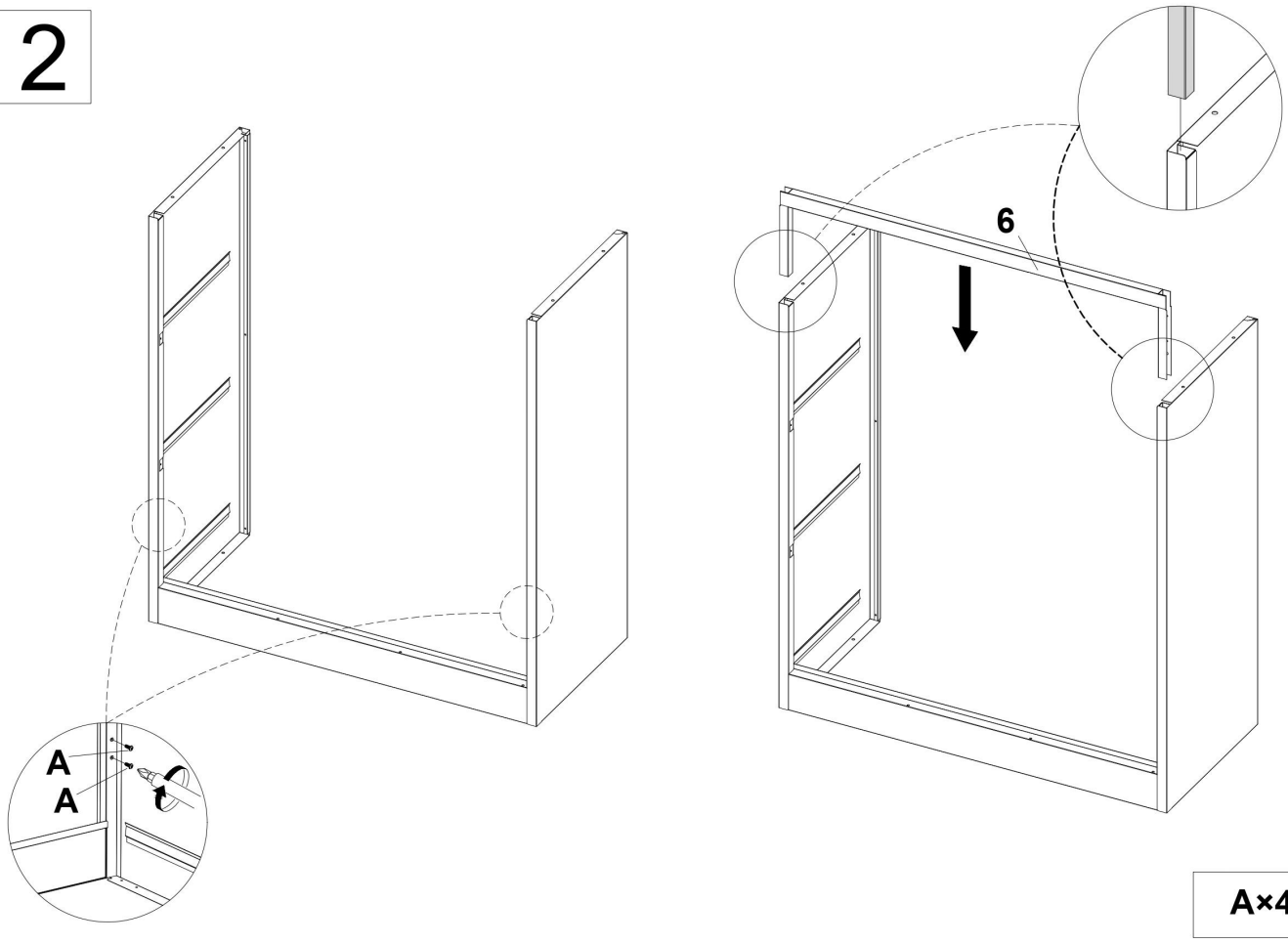
<b>1x1</b>		<b>2x1</b>		<b>3x1</b>		<b>4x1</b>	
							
<b>5x1</b>		<b>6x1</b>		<b>8x1</b>		<b>9x1</b>	
							
		<b>7x2</b>					
							
<b>10x2</b>		<b>11x4</b>		<b>12x2</b>		<b>13x9</b>	
							
		<b>362x299mm 14.25x11.8inch</b>		<b>364x299mm 14.33x11.8inch</b>			
<b>Ax37</b>	<b>Bx9</b>	<b>Cx18</b>					
							
<b>M4x 8mm 0.3inch</b>							



1

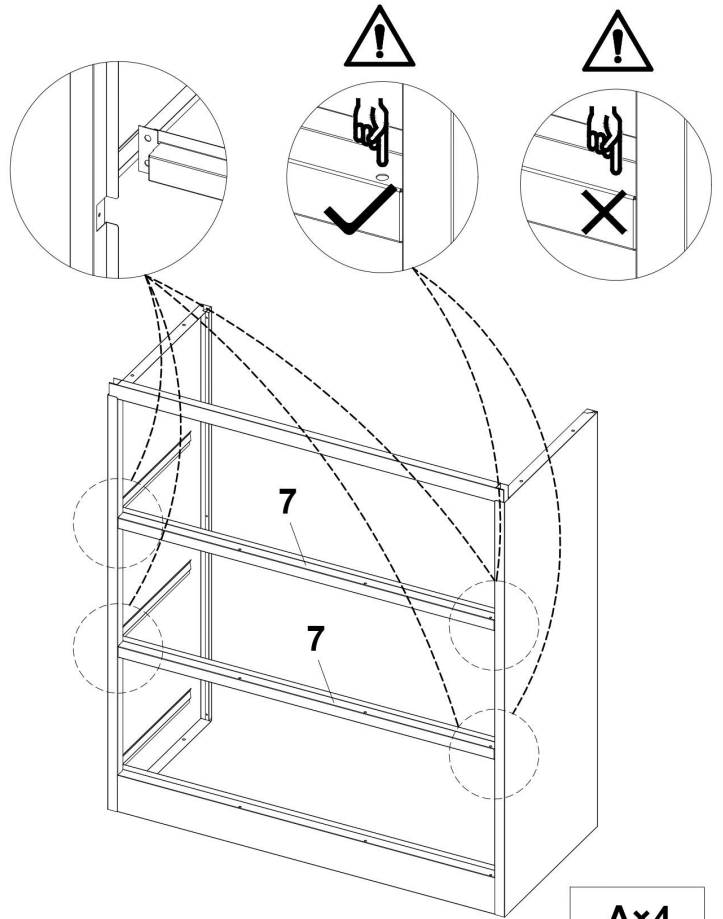
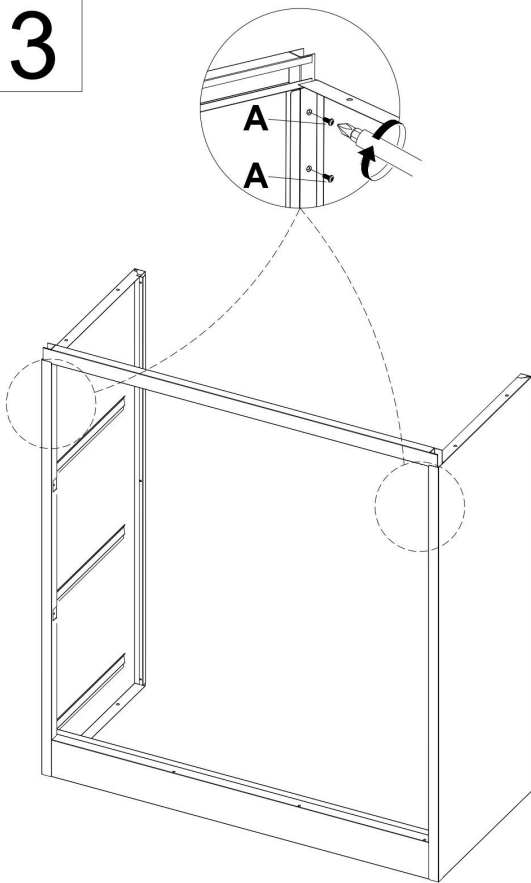


2



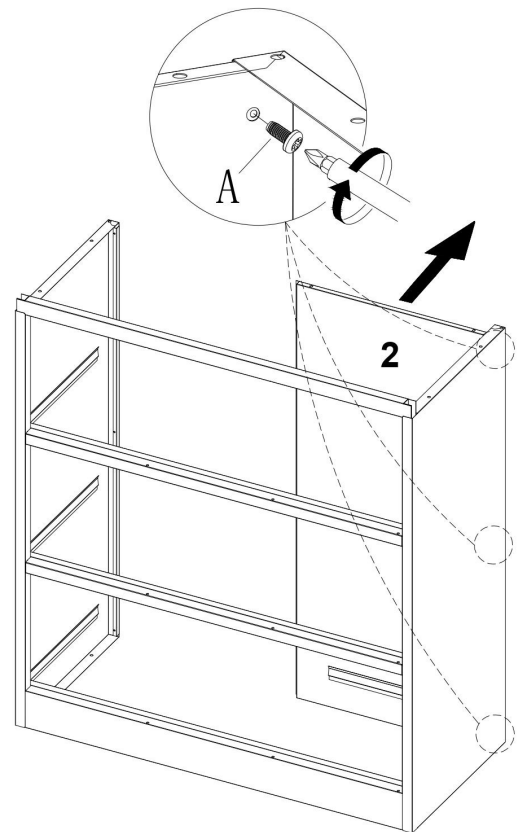
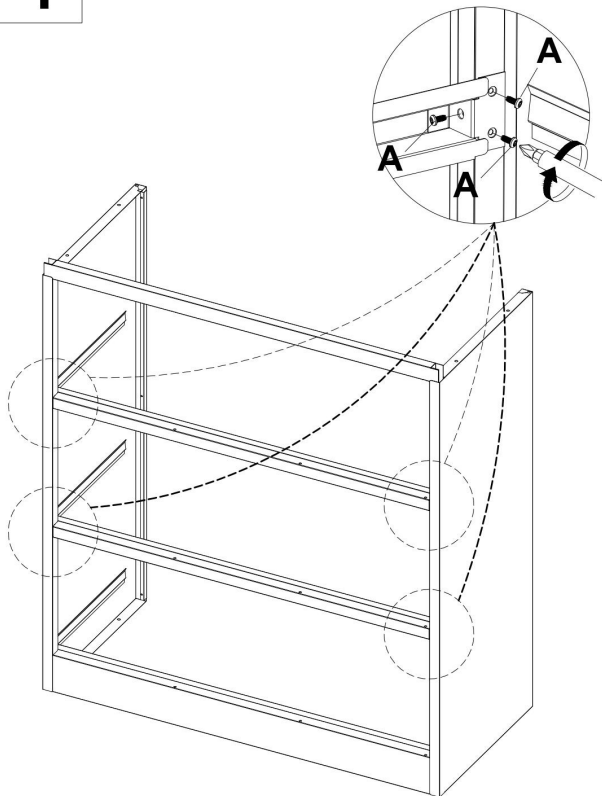
A×4

3



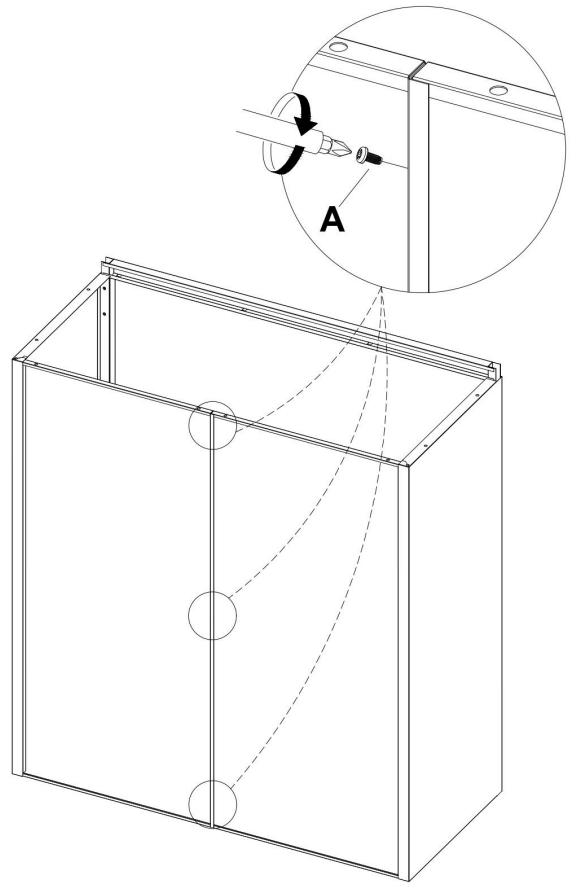
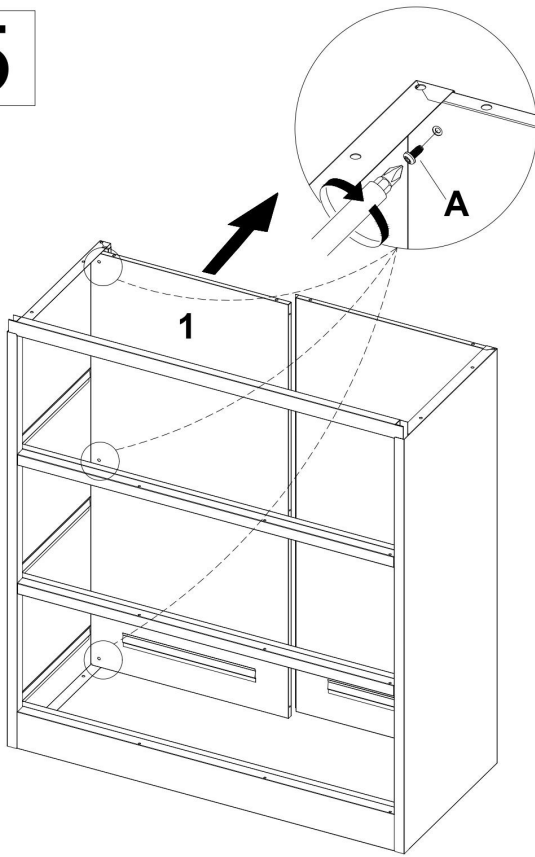
A×4

4



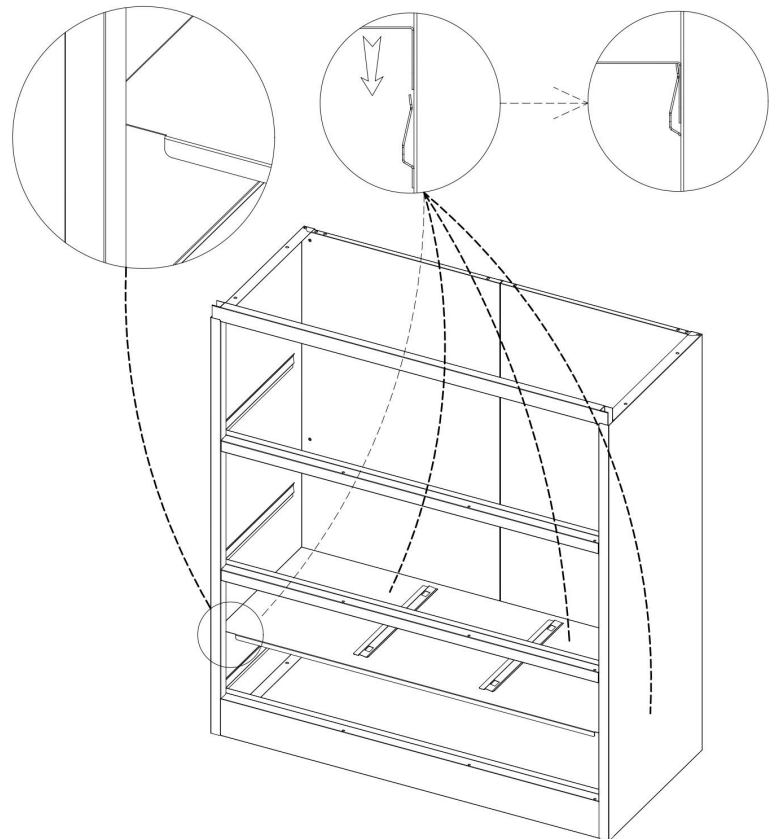
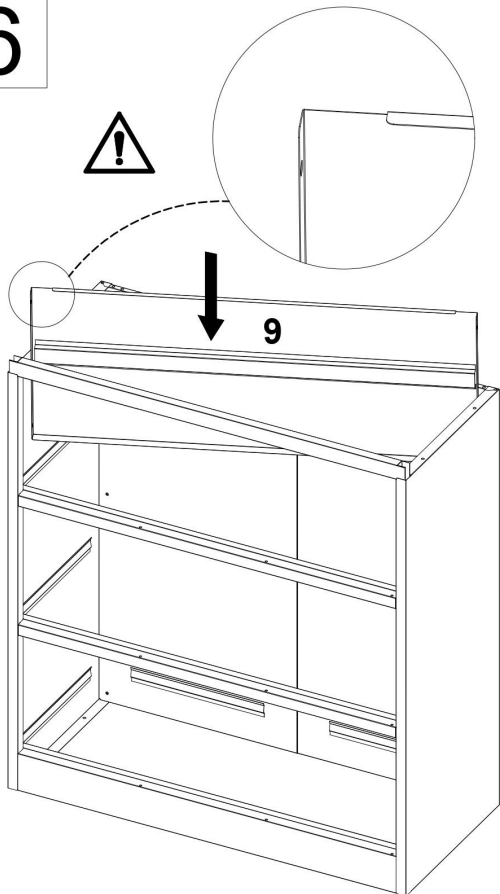
A×15

5

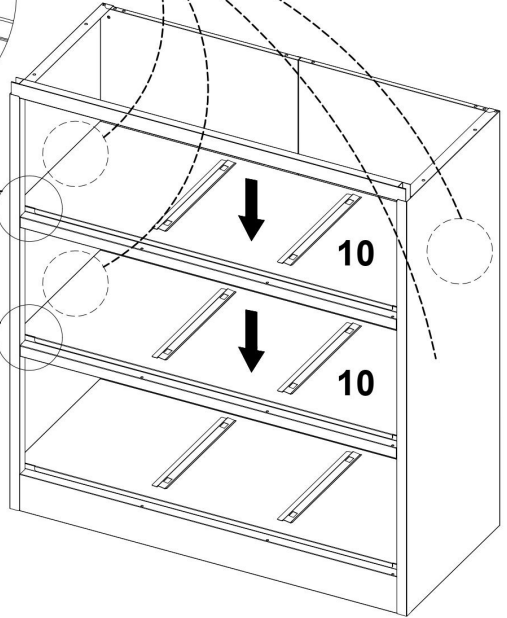
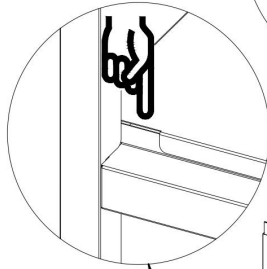
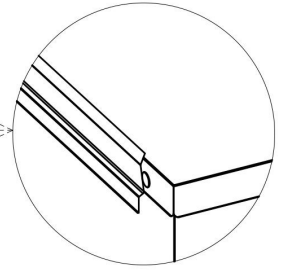
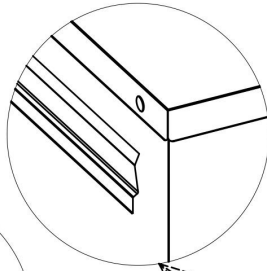
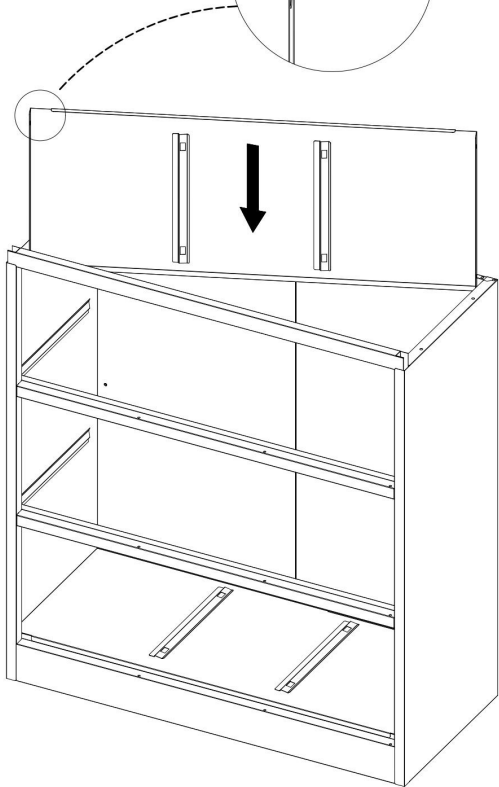


A×6

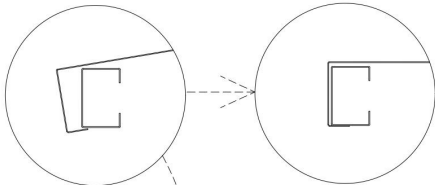
6



7

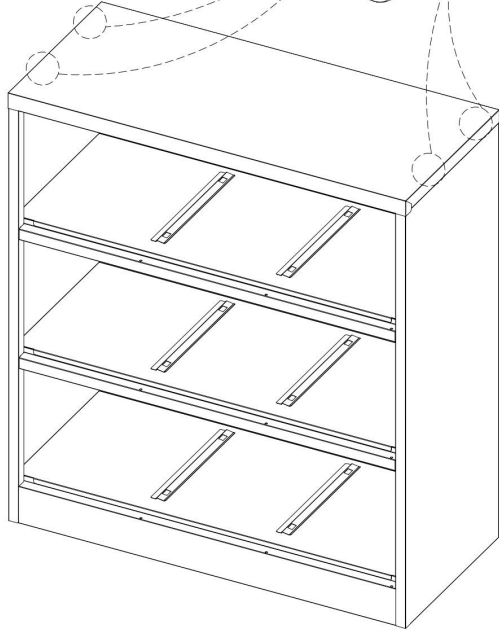
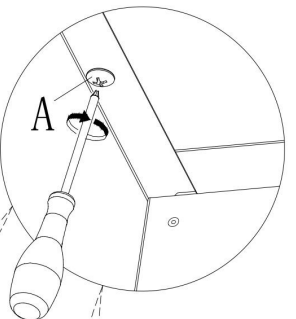
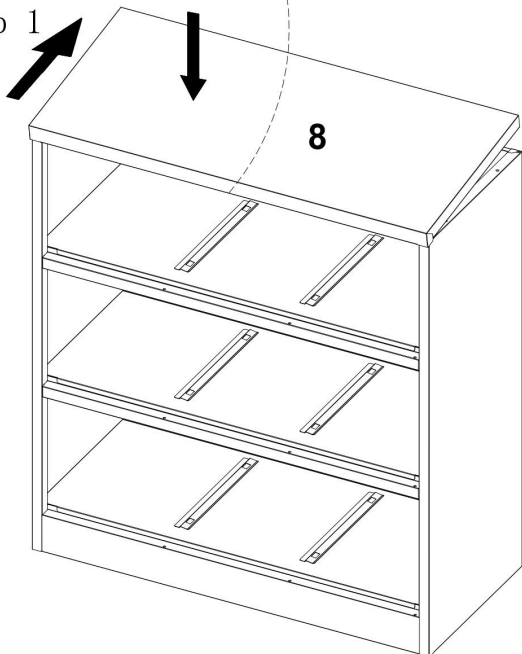


8



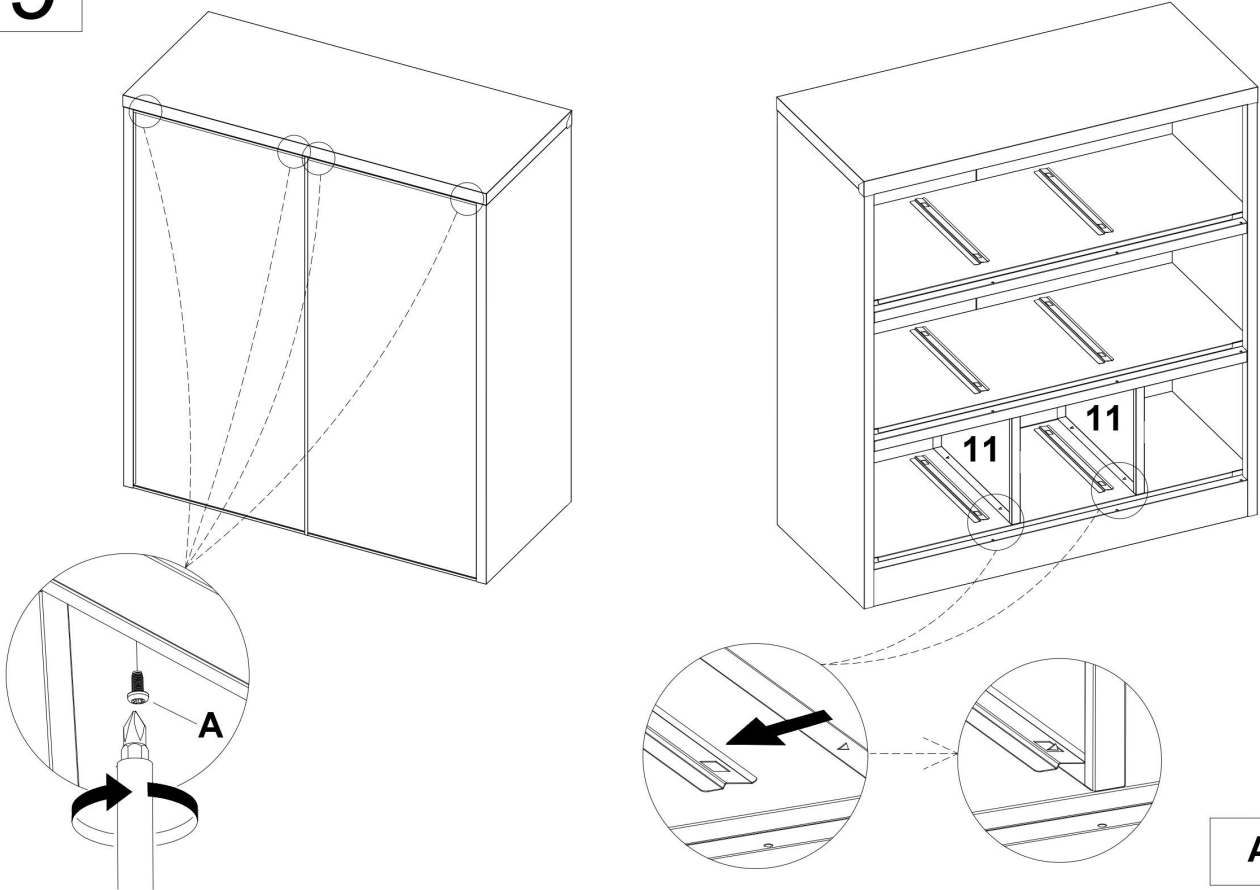
step 2

step 1



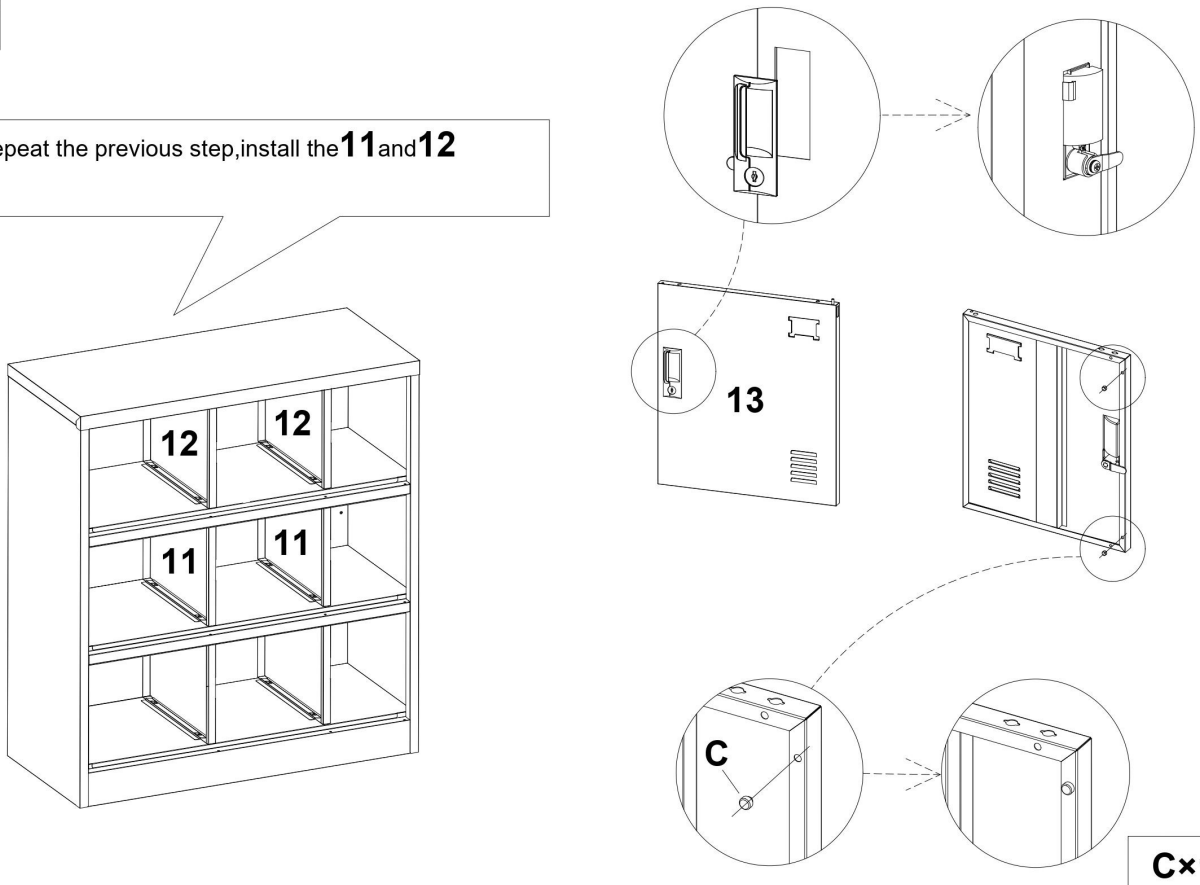
Ax4

9



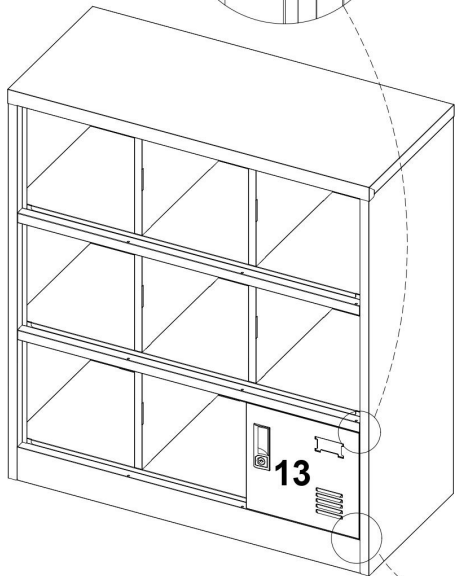
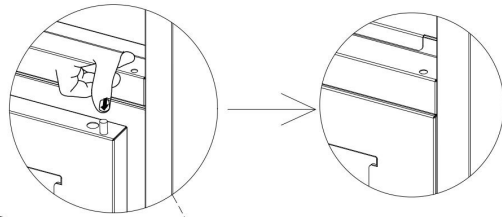
10

Repeat the previous step, install the **11** and **12**

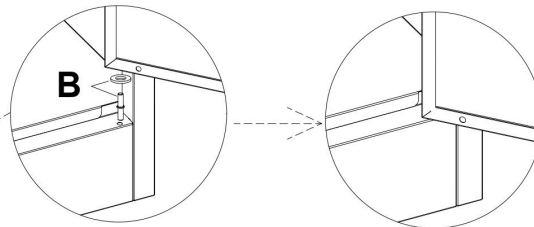


11

step2



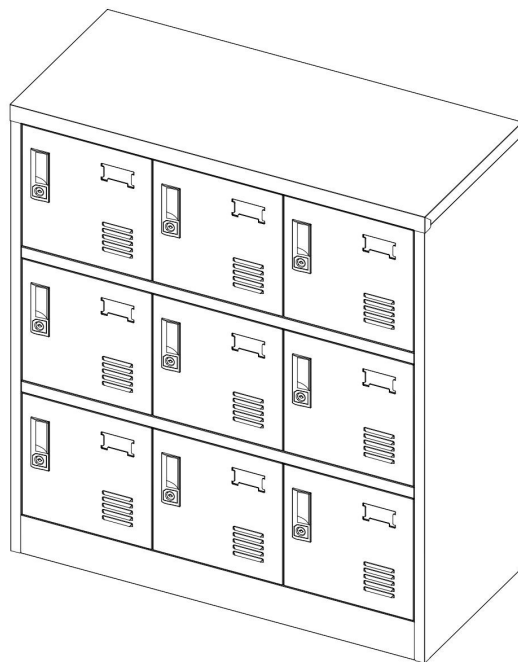
step1



B×1

12

Repeat the previous step to complete the installation



B×8