

# SW 8636 - F/Q/K

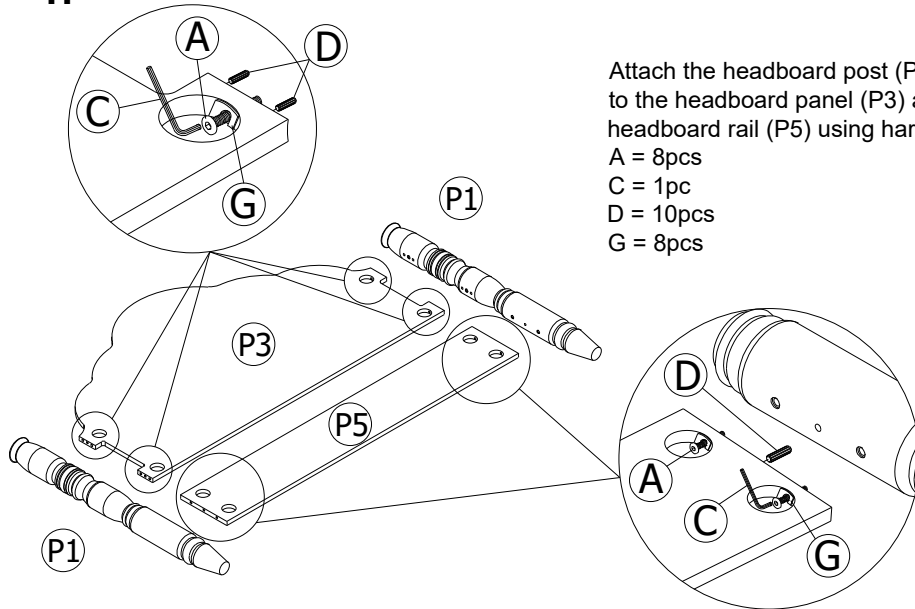


**THE BED SET IS HEAVY, SO IT TAKES AT LEAST TWO PEOPLE TO ASSEMBLE IT.**

## WARNING!!

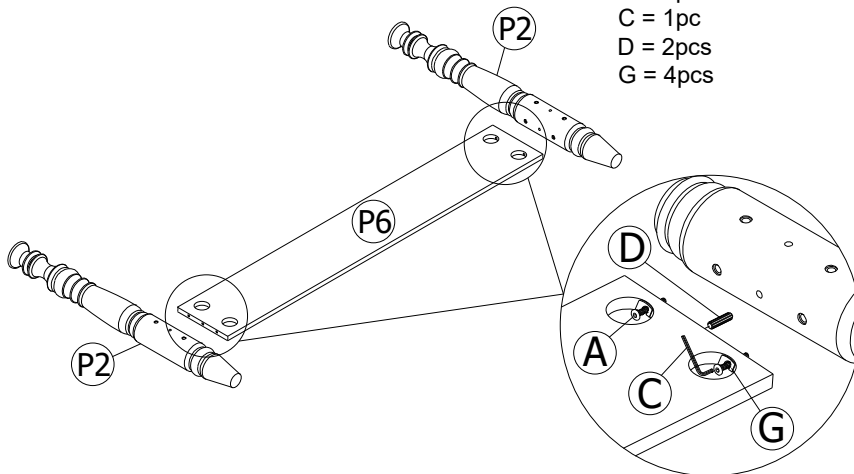
- Remove hardware from box and sort by size.
- Please check to see that hardware and parts are present prior start of assembly.
- Please follow attached instruction in the same sequence numbered to ensure fast and easy assembly.
- Do not use this bed if any part is broken, torn or missing.
- The assembly of this product requires two people.
- Do not use any power tools as this may damage the frame and will invalidate any claim.

1.



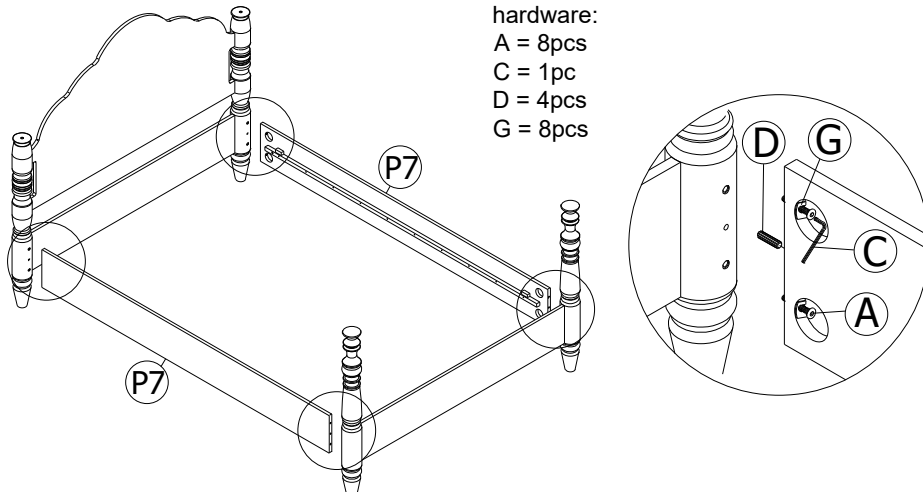
Attach the headboard post (P1) to the headboard panel (P3) and headboard rail (P5) using hardware:  
 A = 8pcs  
 C = 1pc  
 D = 10pcs  
 G = 8pcs

2.



Attach the footboard post (P2) to the footboard rail (P6) using hardware:  
 A = 4pcs  
 C = 1pc  
 D = 2pcs  
 G = 4pcs

3.



Attach the side rail (P7) to the headboard post (P1) and footboard post (P2) using hardware:  
 A = 8pcs  
 C = 1pc  
 D = 4pcs  
 G = 8pcs

## PART LIST

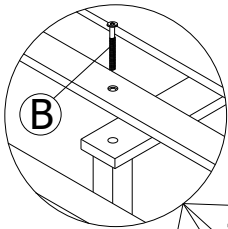
P1		Headboard Post	= L - 1pc R - 1pc
P2		Footboard Post	= L-1pc R-1pc
P3		Headboard Panel	= 1pc
P4		Headboard Upper Rail	= 2pcs
P5		Headboard Rail	= 1pc
P6		Footboard Rail	= 1pc
P7		Side Rail	= 2pcs
P8		Bed Slats	= 14pcs
P9		Center Support Rail	= 2pcs
P10		Support Leg	= 4pcs

## HARDWARE LIST

A		M6 X 60MM JCBC	= 20pcs
B		M6 X 50MM JCBC	= 4pcs
C		ALLEN KEY M4 WITH BALL	= 1pc
D		Ø8 X 30 MM WOOD DOWEL	= 16pcs
E		M4 X 25MM SCREW	= 8pcs
F		ADJUSTER	= 4pcs
G		U WASHER	= 20pcs

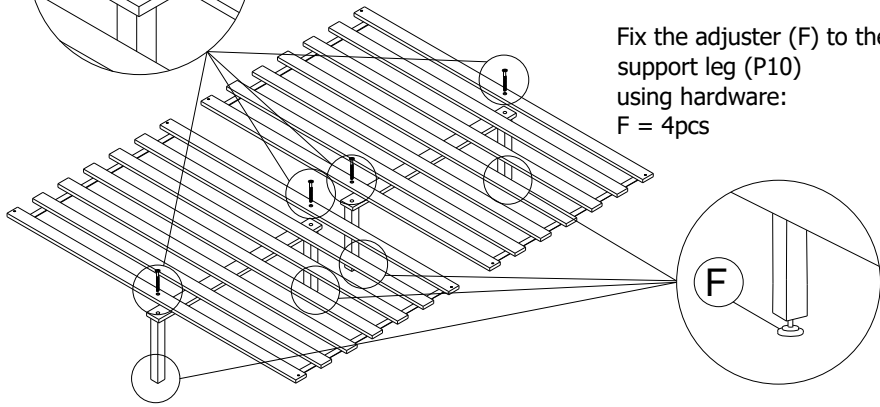


4.



Attach the support leg (P10) to the center support rail (P9) and bed slats (P8) using hardware:  
 B = 4pcs  
 C = 1pc

Fix the adjuster (F) to the support leg (P10) using hardware:  
 F = 4pcs



**WARNING!!**

- Remove hardware from box and sort by size.
- Please check to see that hardware and parts are present prior start of assembly.
- Please follow attached instruction in the same sequence numbered to ensure fast and easy assembly.
- Do not use this bed if any part is broken, torn or missing.
- The assembly of this product requires two people.
- Do not use any power tools as this may damage the frame and will invalidate any claim.

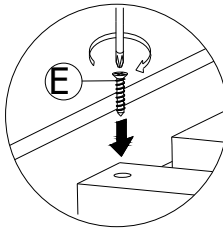
**PART LIST**

P1		Headboard Post	= L - 1pc R - 1pc
P2		Footboard Post	= L-1pc R-1pc
P3		Headboard Panel	= 1pc
P4		Headboard Upper Rail	= 2pcs
P5		Headboard Rail	= 1pc
P6		Footboard Rail	= 1pc
P7		Side Rail	= 2pcs
P8		Bed Slats	= 14pcs
P9		Center Support Rail	= 2pcs
P10		Support Leg	= 4pcs

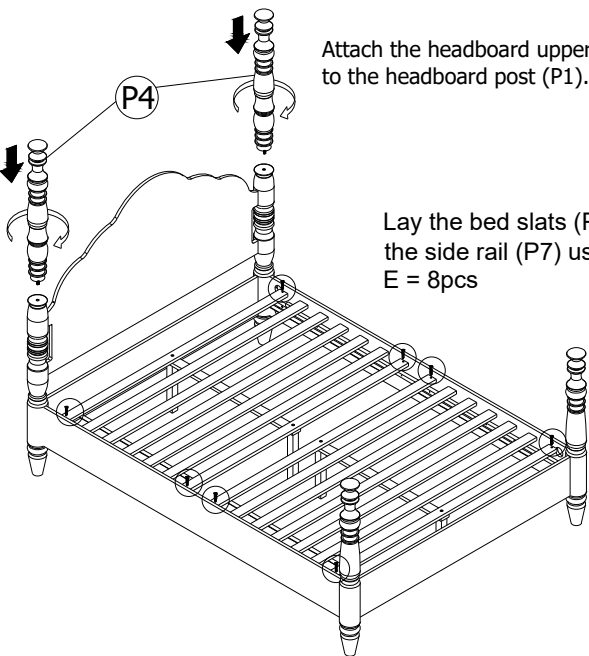
5.

Attach the headboard upper rail (P4) to the headboard post (P1).

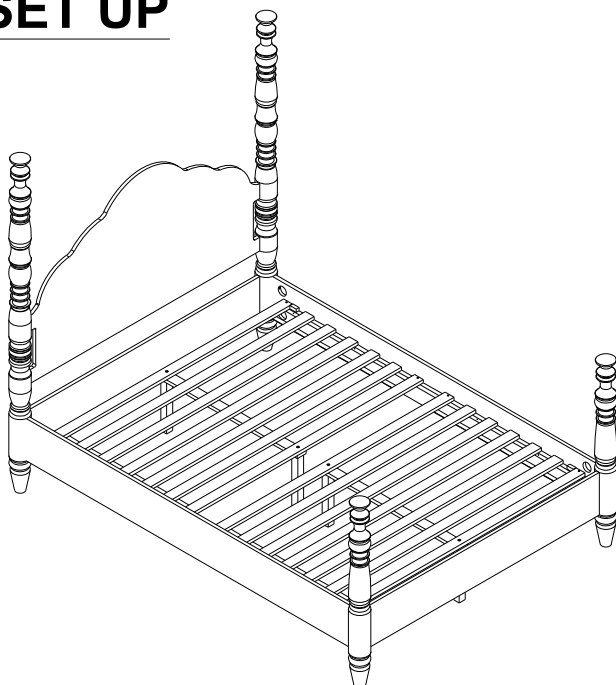
Lay the bed slats (P8) between the side rail (P7) using hardware:  
 E = 8pcs



**\*\*Apply pressure with your knee to the side rail whilst attaching the slats to ensure that the slats are flush against the inside of side rail\*\***



**6. FULLY SET UP**



**HARDWARE LIST**

A		M6 X 60MM JCBC	= 20pcs
B		M6 X 50MM JCBC	= 4pcs
C		ALLEN KEY M4 WITH BALL	= 1pc
D		Ø8 X 30 MM WOOD DOWEL	= 16pcs
E		M4 X 25MM SCREW	= 8pcs
F		ADJUSTER	= 4pcs
G		U WASHER	= 20pcs

