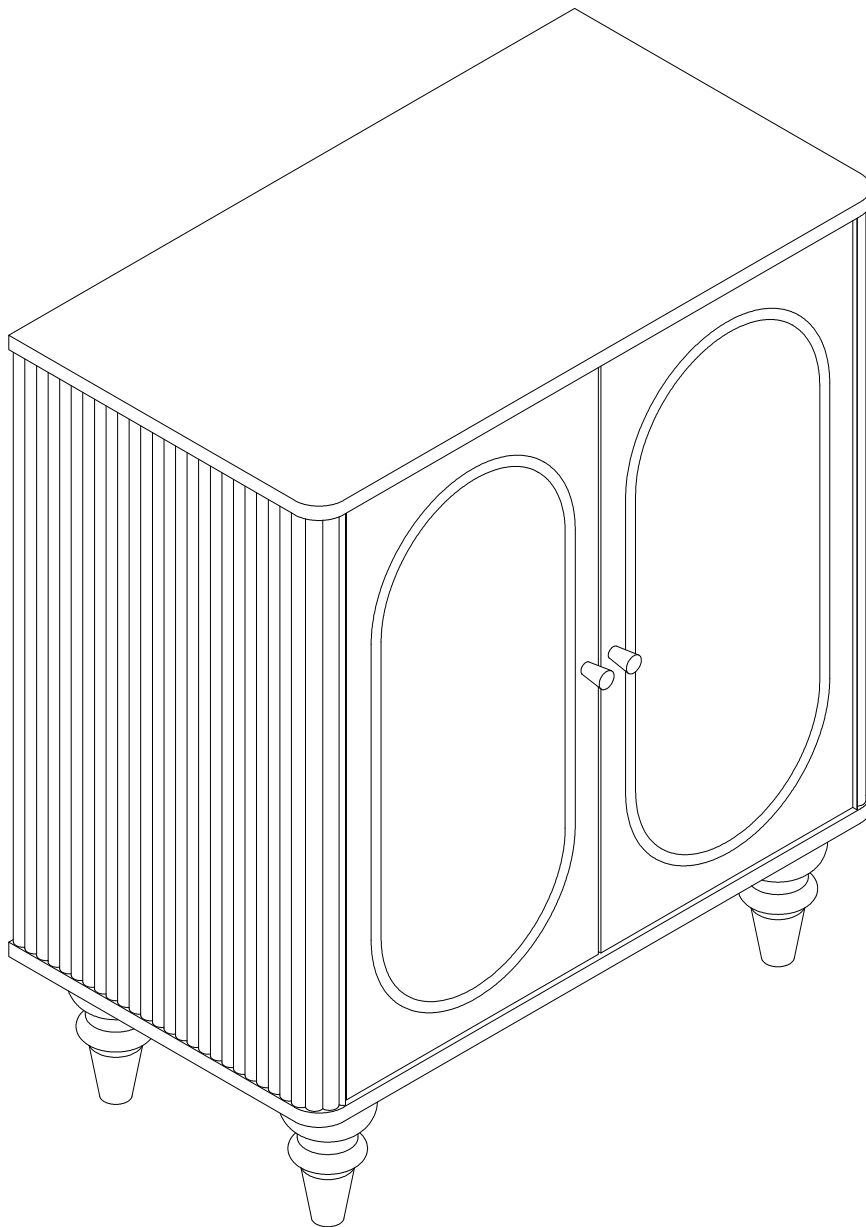


Assembly Instructions

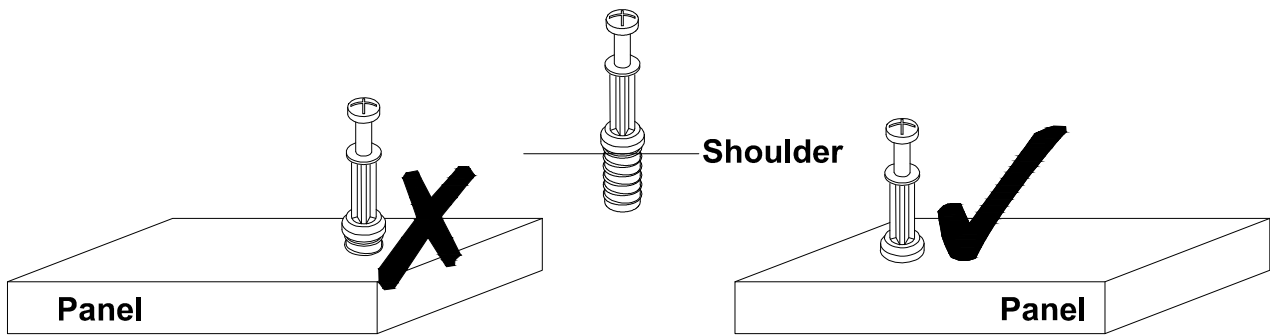


Before Assembly

Tips Before Your Start:

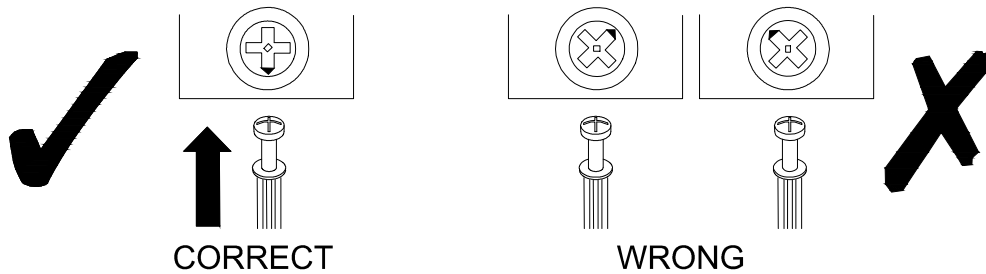
- Remove all wrapping material, including staples & packing straps before you start to assemble.
- DO NOT tighten all screws and bolts until the assembly is completely assembled.
- Keep all hardware parts out of reach of children.

QUICKFIT



Tighten quickfit until shoulder is flush with panel. Do not overtighten or undertighten.

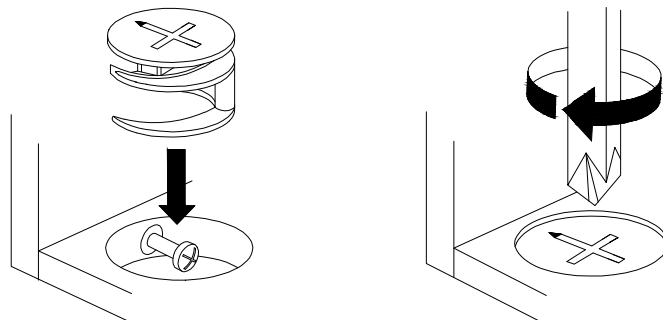
CAM LOCK



When fitting a cam lock, ensure the starting position is correct before inserting the connecting QUI CKFIT




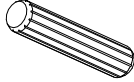
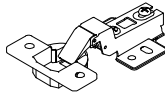
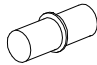
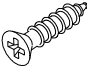
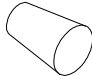

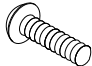
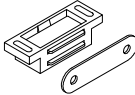
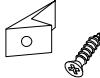
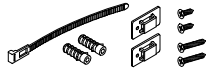
Quickfit head should be in the centre of the cam lock when the two panels are joined.

Cam lock should be inserted before quickfit.

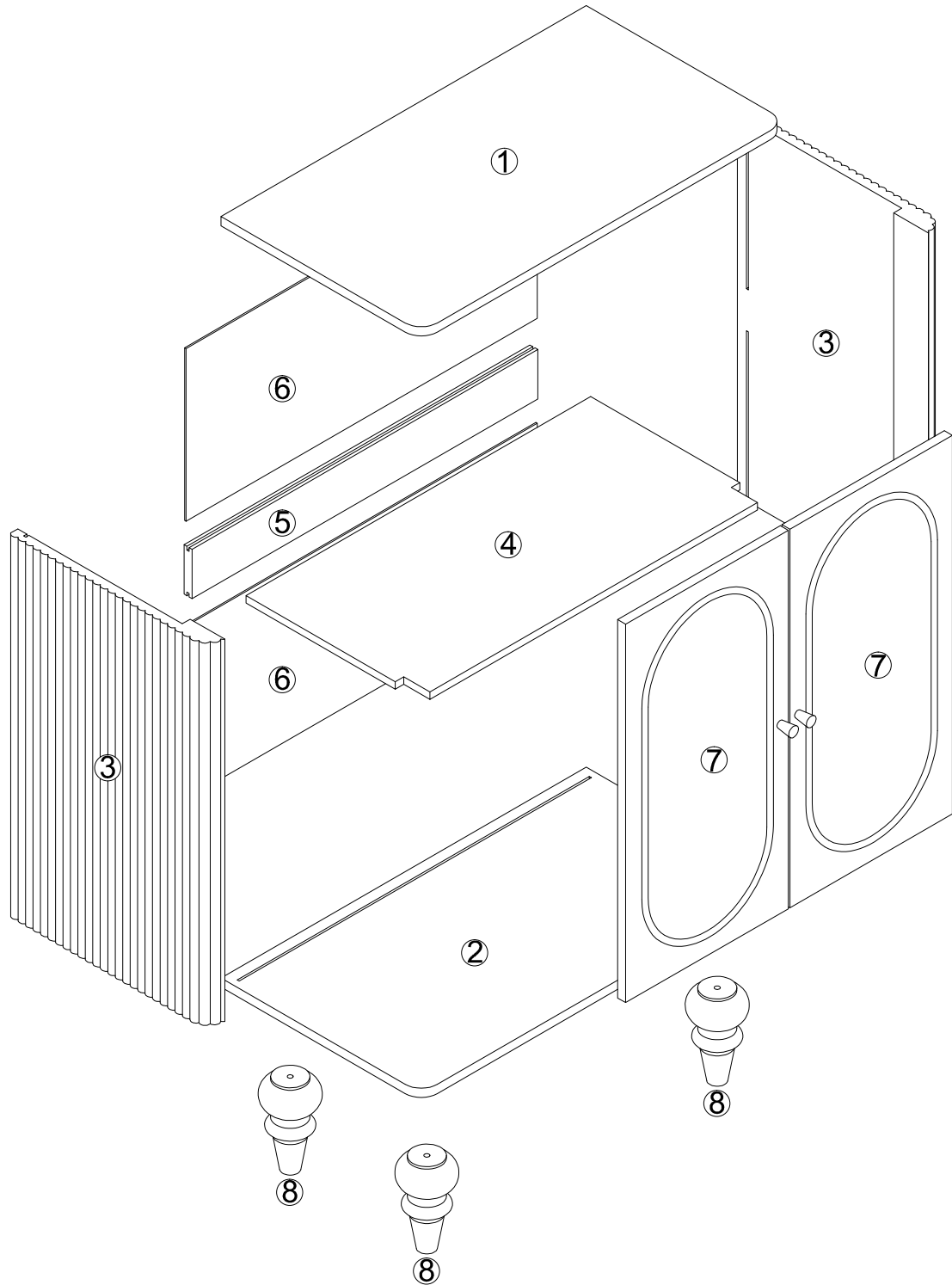


Turn cam lock clockwise to tighten.

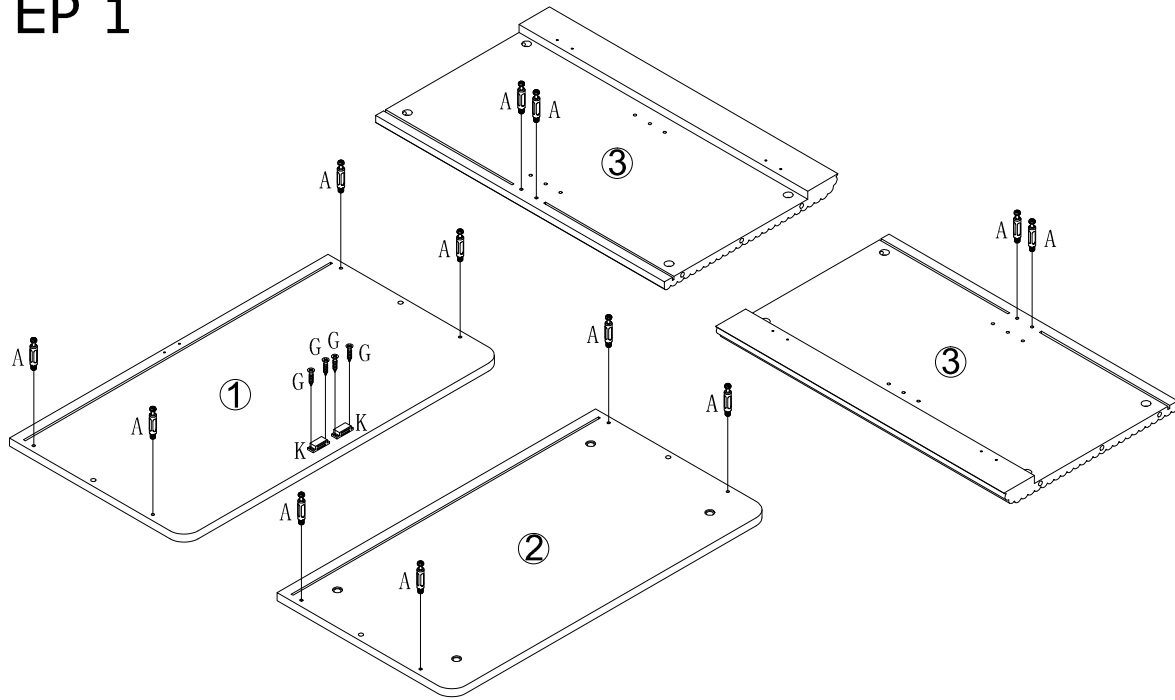
Part List

<p>No. A Quantity:12 Pcs Cam Lock Dowel 8*28mm</p> 	<p>No. B Quantity:12 Pcs Cam φ15</p> 	<p>No. C Quantity:12 Pcs Sticker Ø20</p> 	<p>No. D Quantity:4 Pcs Dowel 8*30mm</p> 
<p>No. E Quantity:4 Pcs Hinge</p> 	<p>No. F Quantity:4 Pcs Shelf Support M5*15mm</p> 	<p>No. G Quantity:32 Pcs Screw M3.5*14mm</p> 	<p>No. H Quantity:2 Pcs Handle Ø20*23mm</p> 
<p>No. I Quantity:4 Pcs Slip Mat Ø20</p> 	<p>No. J Quantity:2 Pcs Screw M4*20mm</p> 	<p>No. K Quantity:2 Pcs Magnetic Door Catcher</p> 	<p>No. L Quantity:8 Sets Plastic Wedge</p> 
<p>No. M Quantity:1 Sets Anti-falling Parts</p> 			

Product structure



STEP 1



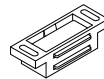
No. A
Quantity: 12 Pcs
8*28 mm



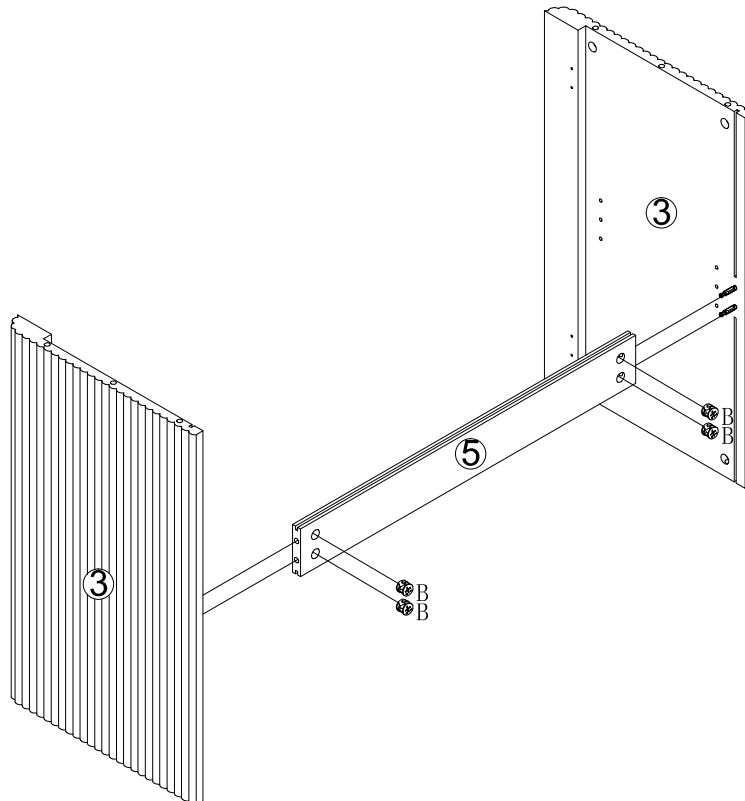
No. G
Quantity: 4 Pcs
M3.5*14mm



No. K
Quantity: 2 Pcs



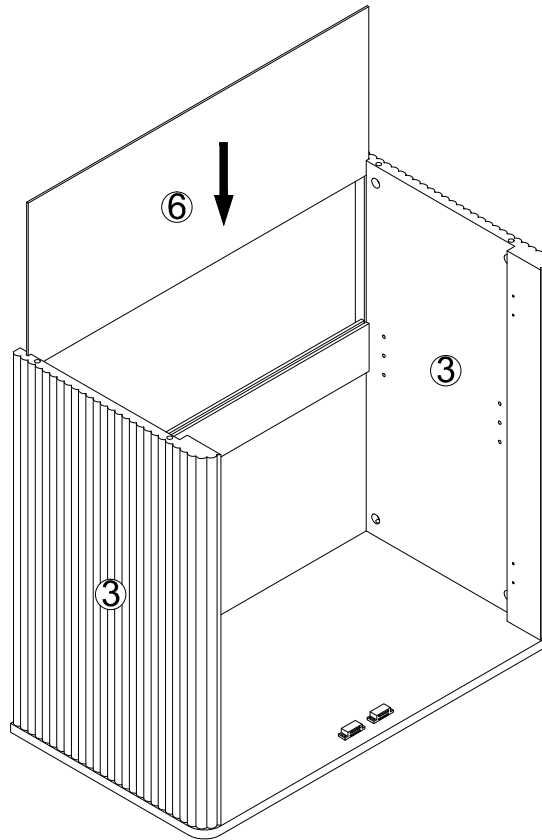
STEP 2



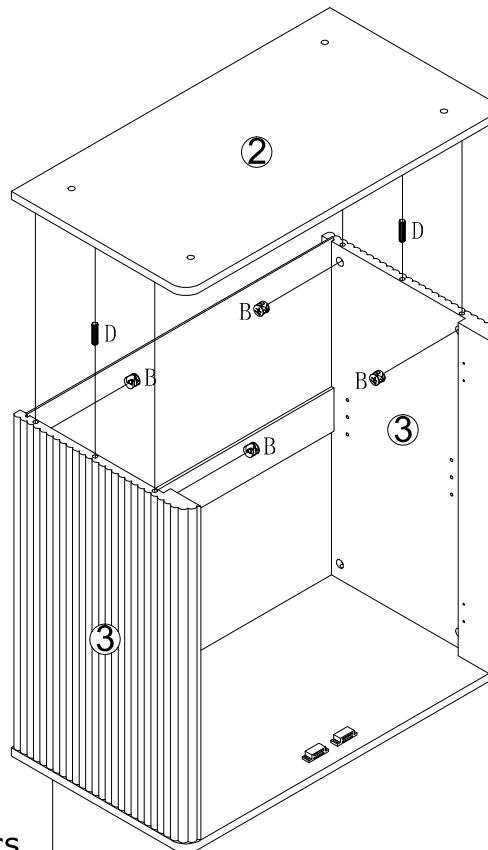
No. B
Quantity: 4 Pcs
Ø15



STEP 5



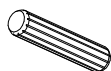
STEP 6



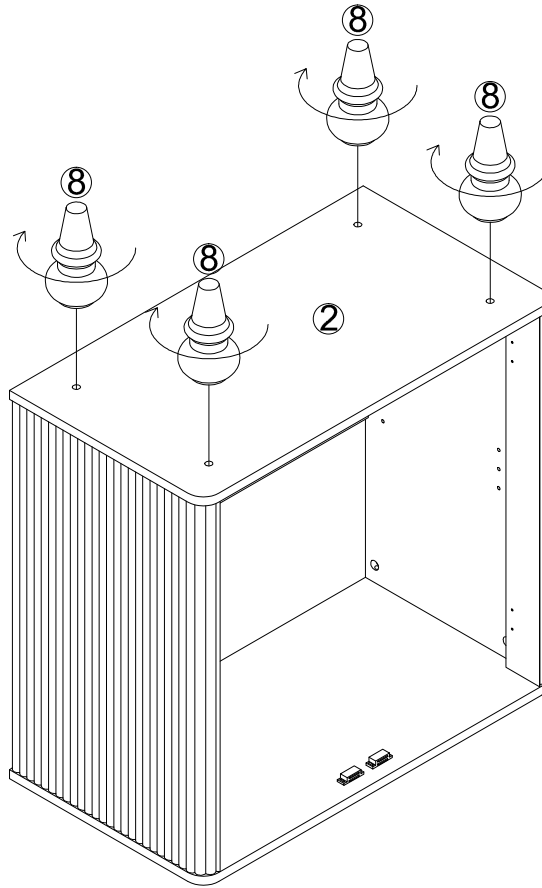
No. B
Quantity: 4 Pcs
Ø15



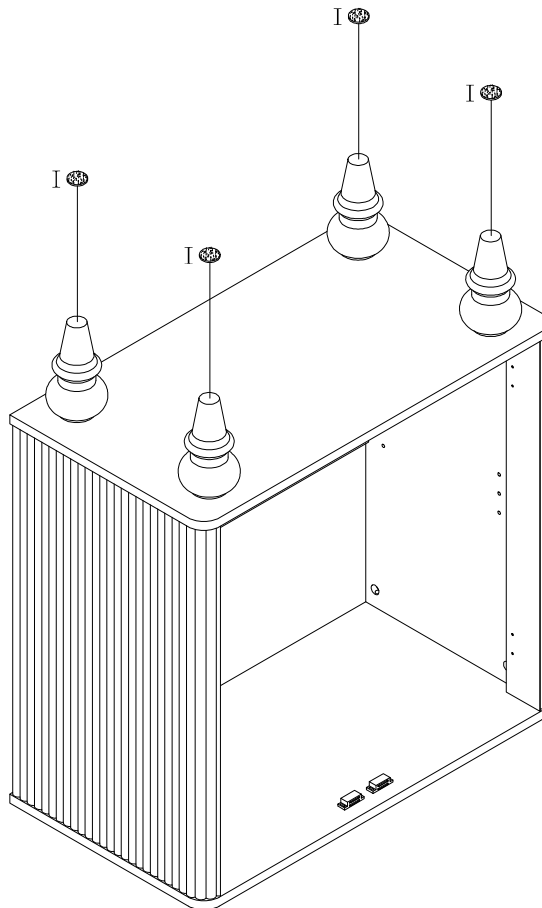
No. D
Quantity: 2 Pcs
8*30mm



STEP 7



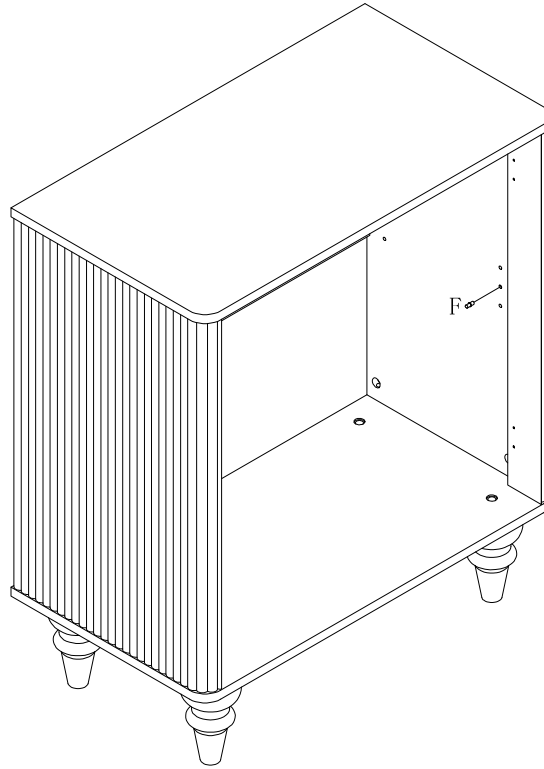
STEP 8



No. I
Quantity: 4 Pcs
Ø20



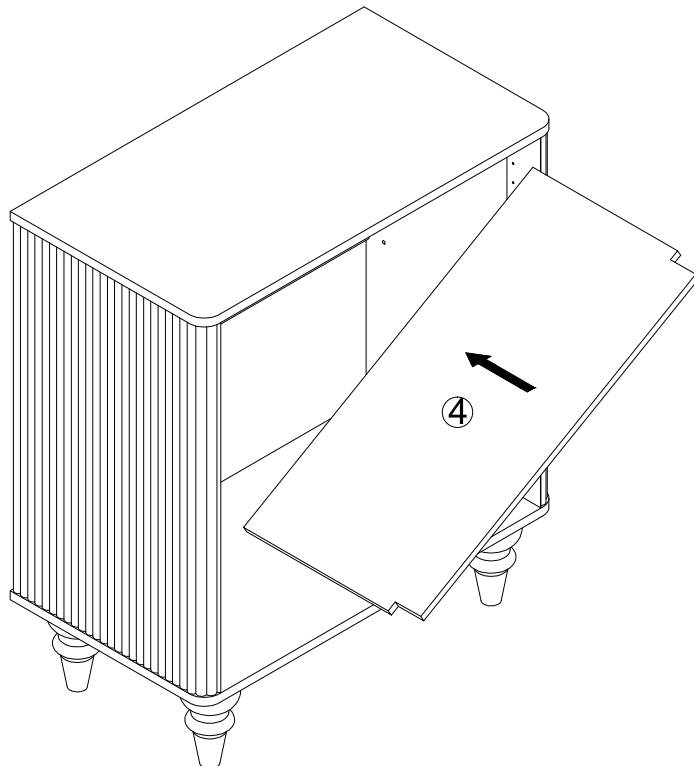
STEP 9



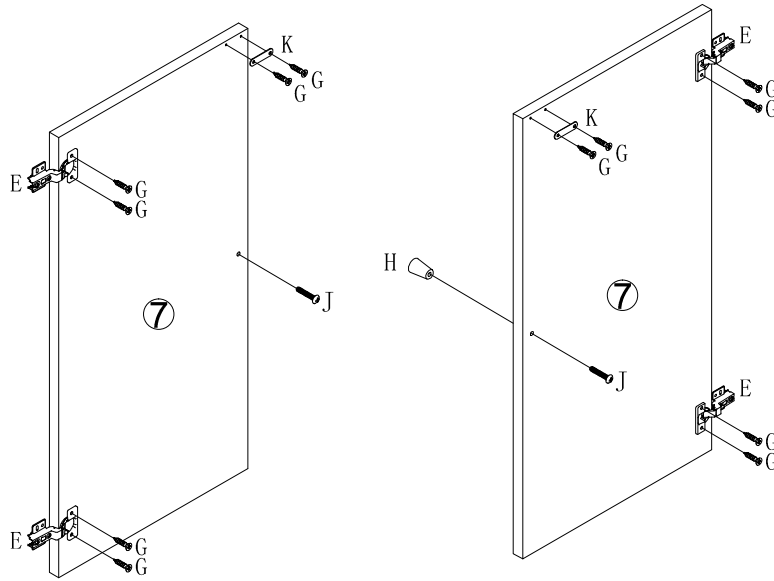
No. F
Quantity: 4 Pcs
M5*15mm



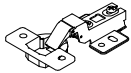
STEP 10



STEP 11



No. E
Quantity: 4 Pcs



No. G
Quantity: 12 Pcs
M3.5*14mm



No. H
Quantity: 2 Pcs
Ø20*23mm



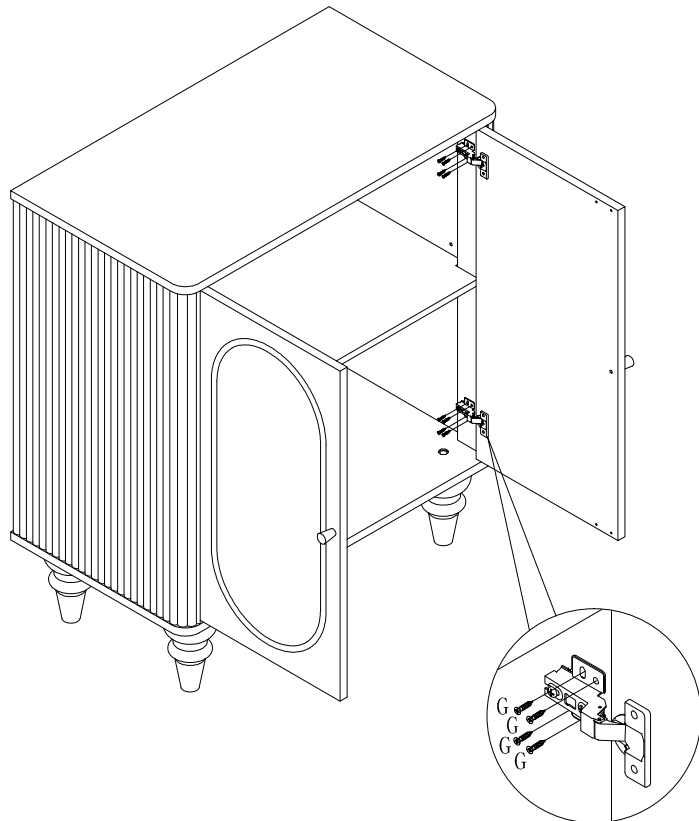
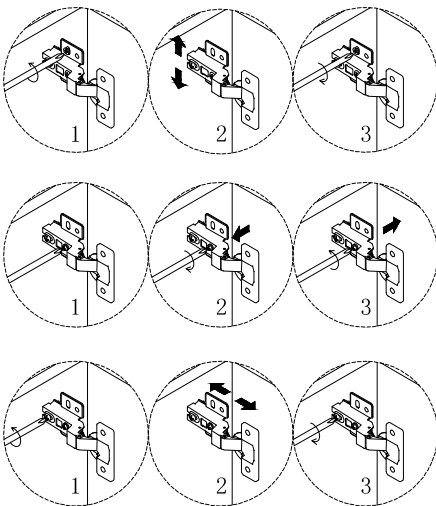
No. J
Quantity: 2 Pcs
M4*20mm



No. K
Quantity: 2 Pcs



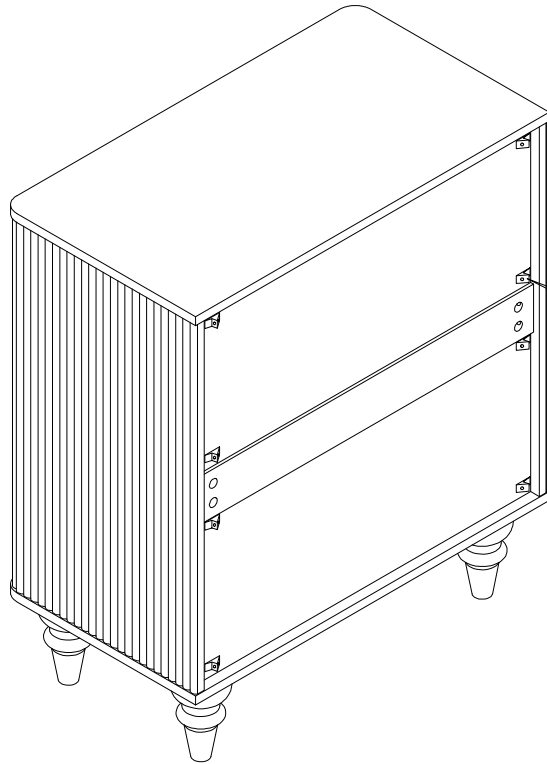
STEP 12



No. G
Quantity: 16 Pcs
M3.5*14mm

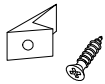


STEP 13

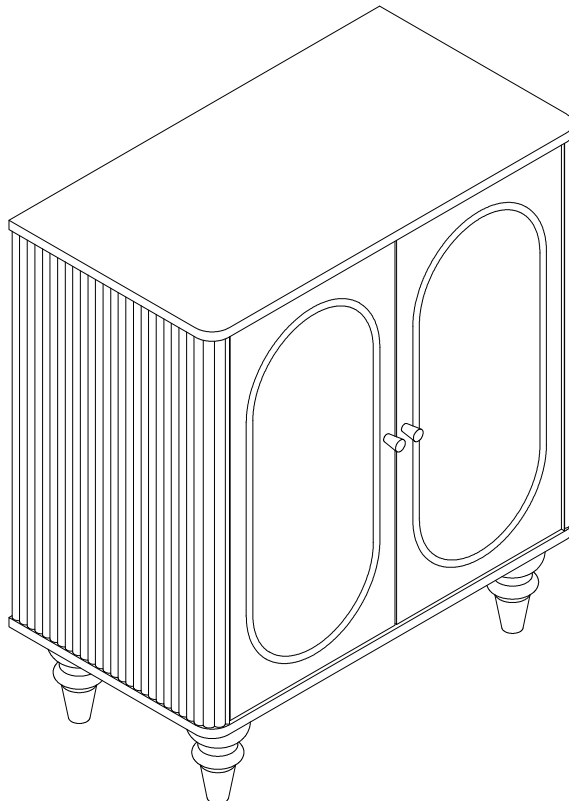


Description: Insert the thinner end of the reinforcement into the gap in this back panel, then tighten the screws. This will make the cabinet more stable.

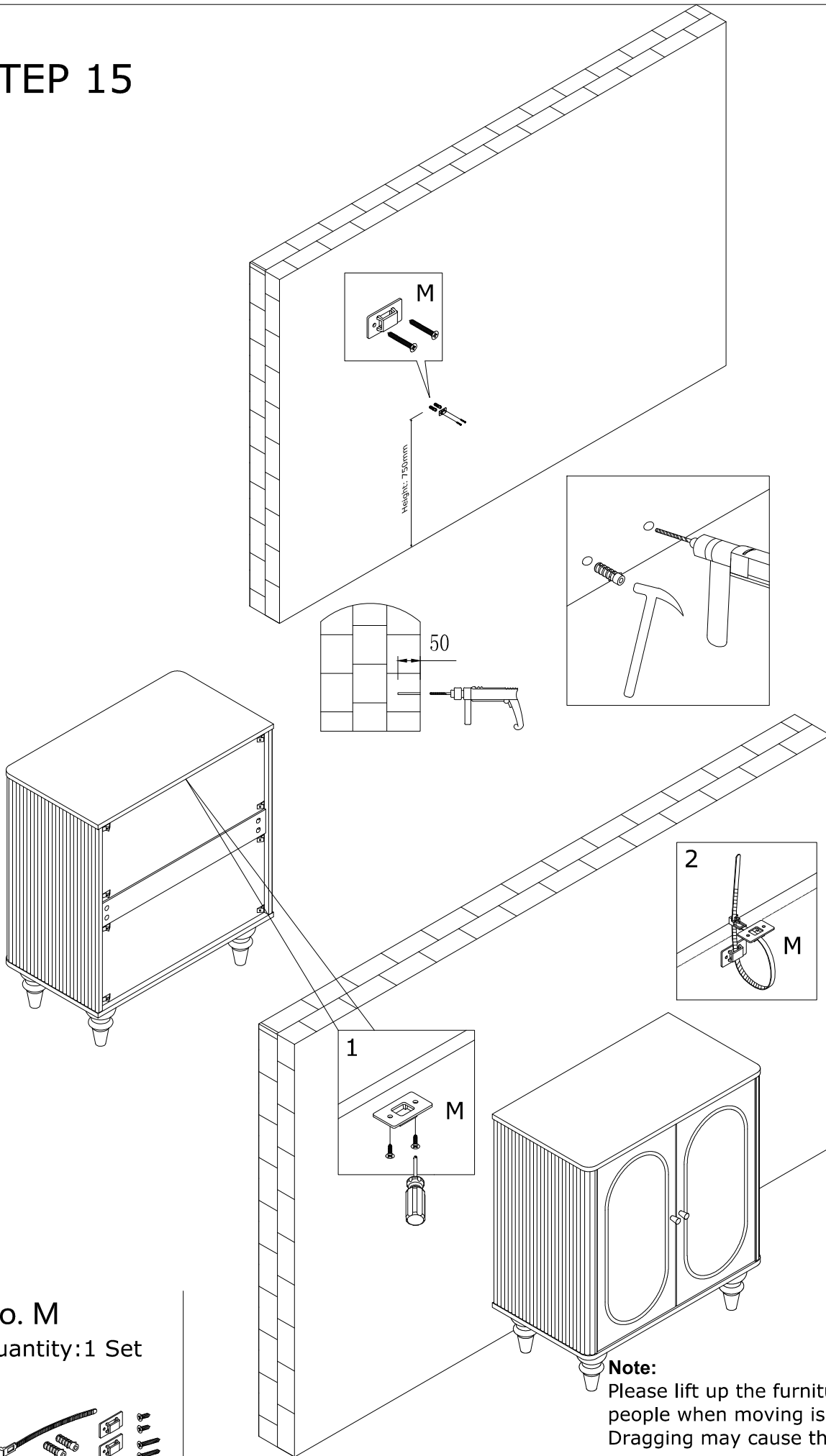
No. L
Quantity: 8 Sets



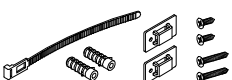
STEP 14



STEP 15



No. M
Quantity: 1 Set



Note:
Please lift up the furniture by two people when moving is needed.
Dragging may cause the legs failure.