

ASSEMBLY INSTRUCTIONS

Thank you for purchasing this quality Product. Be sure to check all packing material carefully for small parts, which may have come loose inside carton during shipment. identify and count all parts and compare with the parts list below.



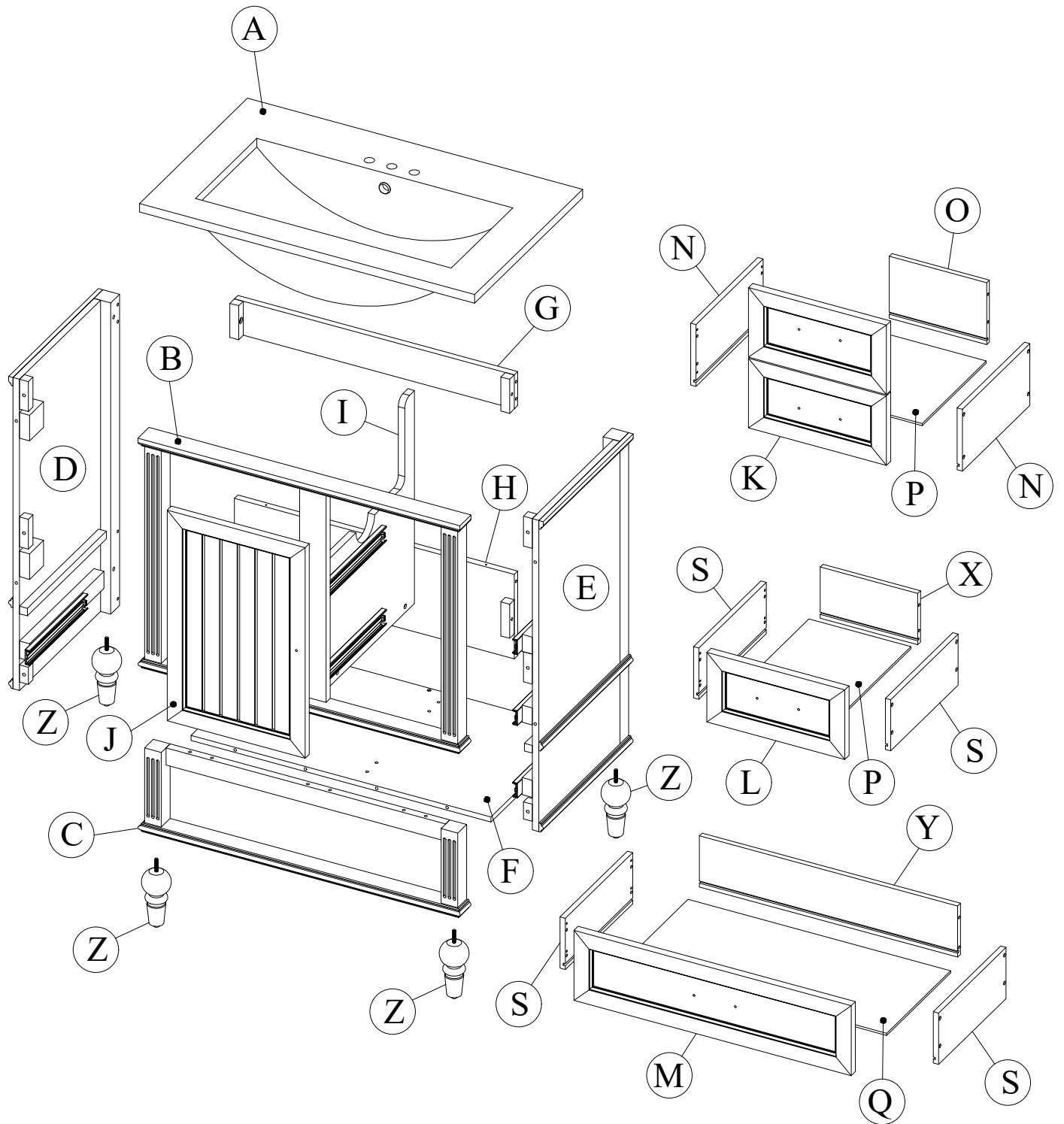
ASSEMBLY INSTRUCTION:

1. Remove hardware from box and sort by size.
2. Please check to see that all hardware and parts are present prior start of assembly.
3. Please follow attached instruction in the same sequence as numbered assure fast and easy assembly.

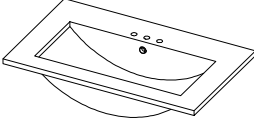
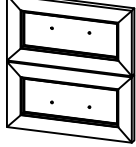
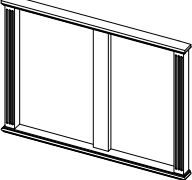

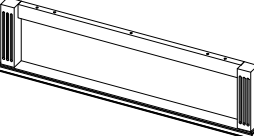
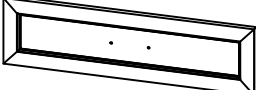
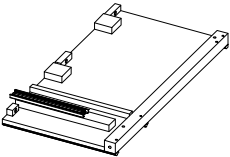
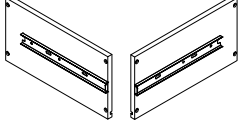
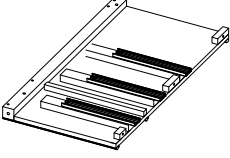
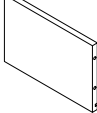
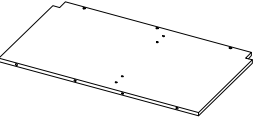
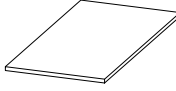
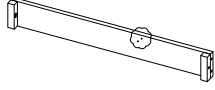
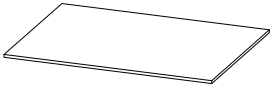
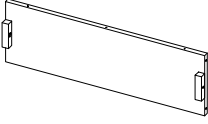
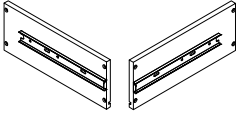
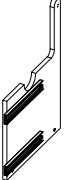
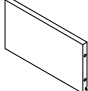
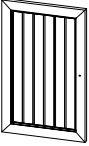
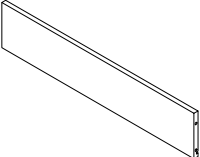
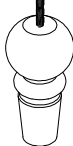
WARNING!

1. Don't attempt to repair or modify parts that are broken or defective. Please contact the store immediately.
2. This products for home use only and not intended for commercial establishments.
3. Two persons are required for assembly.
4. Approximate assembly time 1/2 hours.
5. Component parts and fittings contained in the box. Please sort out all parts before you begin to assemble the item. This is to make sure you always use the correct part.
6. It is **STRONGLY RECOMMENDED** that you **ANCHOR** this product tooling furniture can cause serious injuries and death. To prevent your furniture from tipping forward it is strongly recommended that you securely attach this product to a wall other solid surface, using the anchor straps provided appropriate fixings.


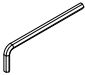






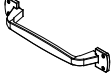
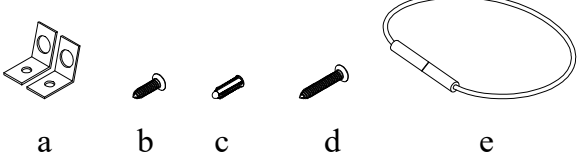

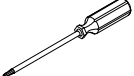



DETAIL VIEW



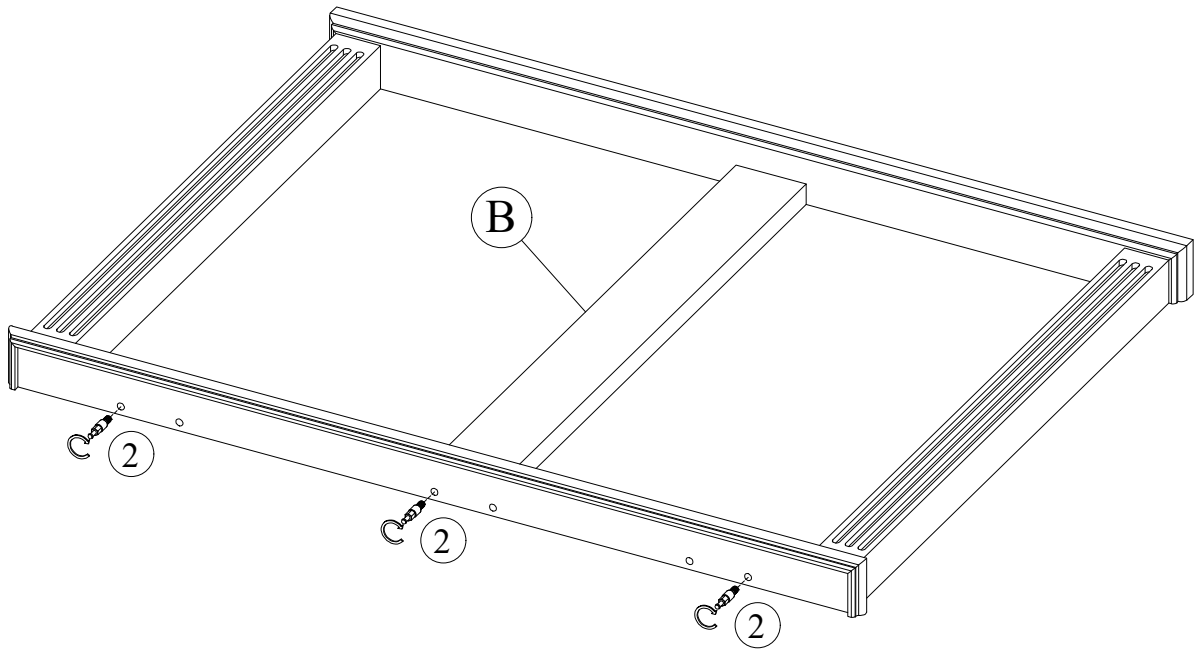
PART LIST

No.	Component		Q'ty	No.	Component		Q'ty
A		Sink	1	K		Drawer Front (double)	1
B		Front (top)	1	L		Drawer Front (small)	1
C		Front (bottom)	1	M		Drawer Front (big)	1
D		Side panel (left)	1	N		Drawer sides (double) (R/L)	2
E		Side panel (right)	1	O		Drawer back (double)	1
F		Bottom	1	P		Drawer bottoms (small & double)	2
G		Back panel (top)	1	Q		Drawer bottom (big)	1
H		Back panel (bottom)	1	S		Drawer sides (small & big) (R/L)	4
I		Middle panel	1	X		Drawer back (small)	1
J		Door	1	Y		Drawer back (big)	1
				Z		Legs	4

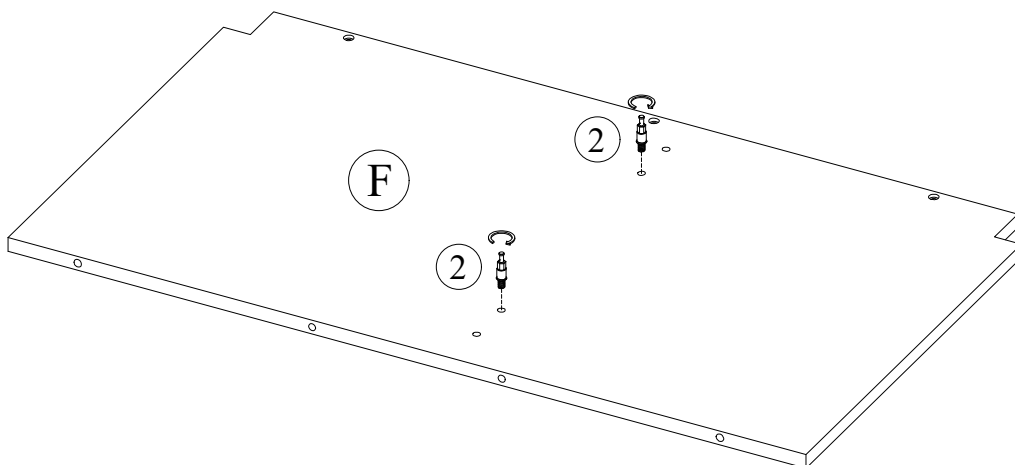
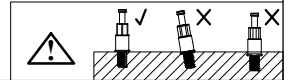
HARDWARE LIST

No.	Hardware	Q'ty	No.	Hardware	Q'ty
1	 Allen Bolts 1/4"x35	10	9	 Allen key	1
2	 Cam lock screws	5	10	 Hinges	2
3	 Cam locks	5	11	 Screws 4x15	20
4	 Wooden dowels	45	12	 Angle Bracket	2
5	 Handles	4	13	 a b c d e Wall brackets 1 set	
6	 Knob	1		 Not included	
7	 Bolts M4x25	9		 Silicone	
8	 Screws 4x25	27			

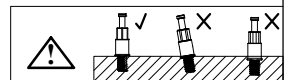
STEP 1



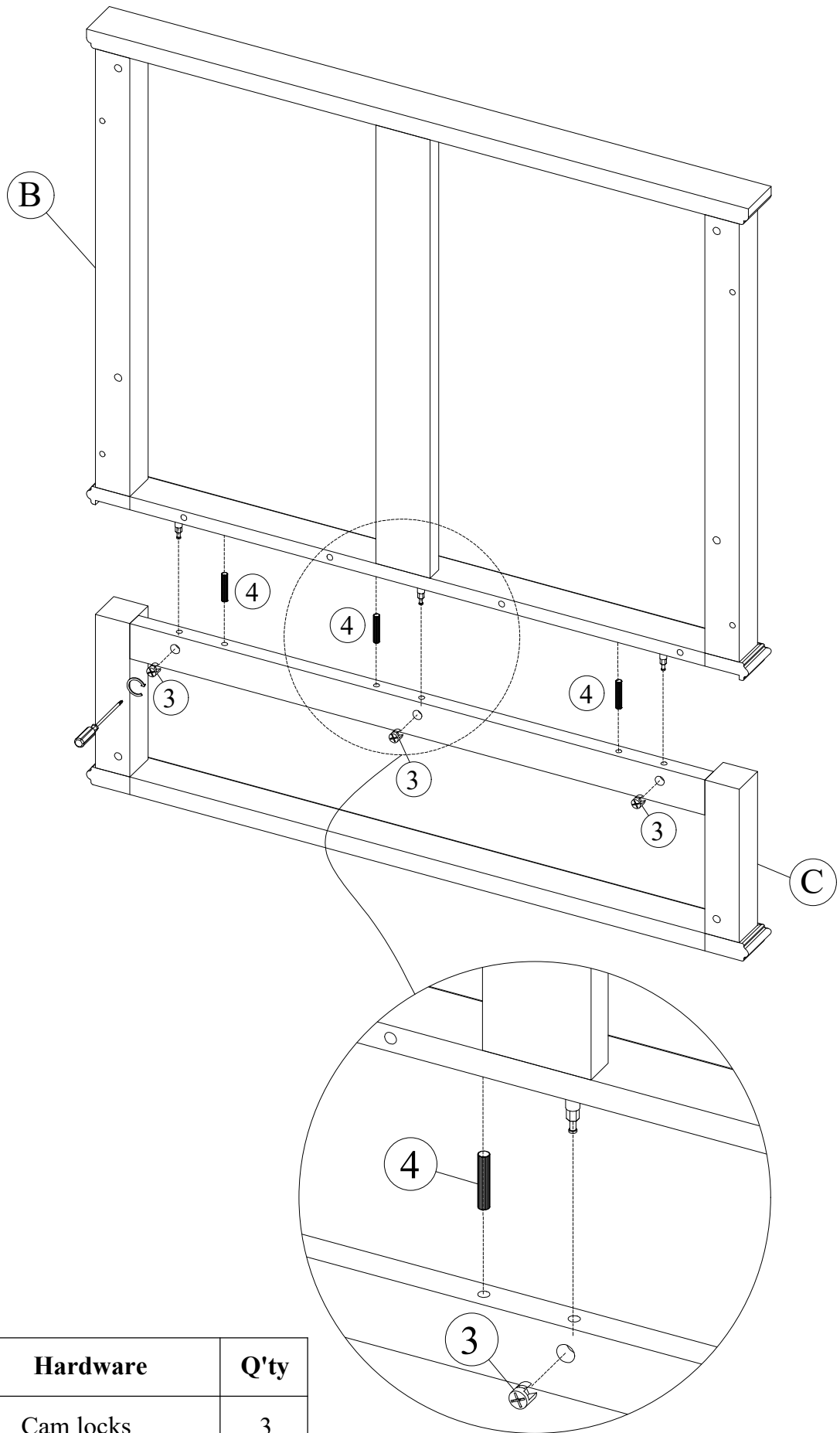
No.	Hardware	Q'ty
2	Cam lock screws	3



No.	Hardware	Q'ty
2	Cam lock screws	2

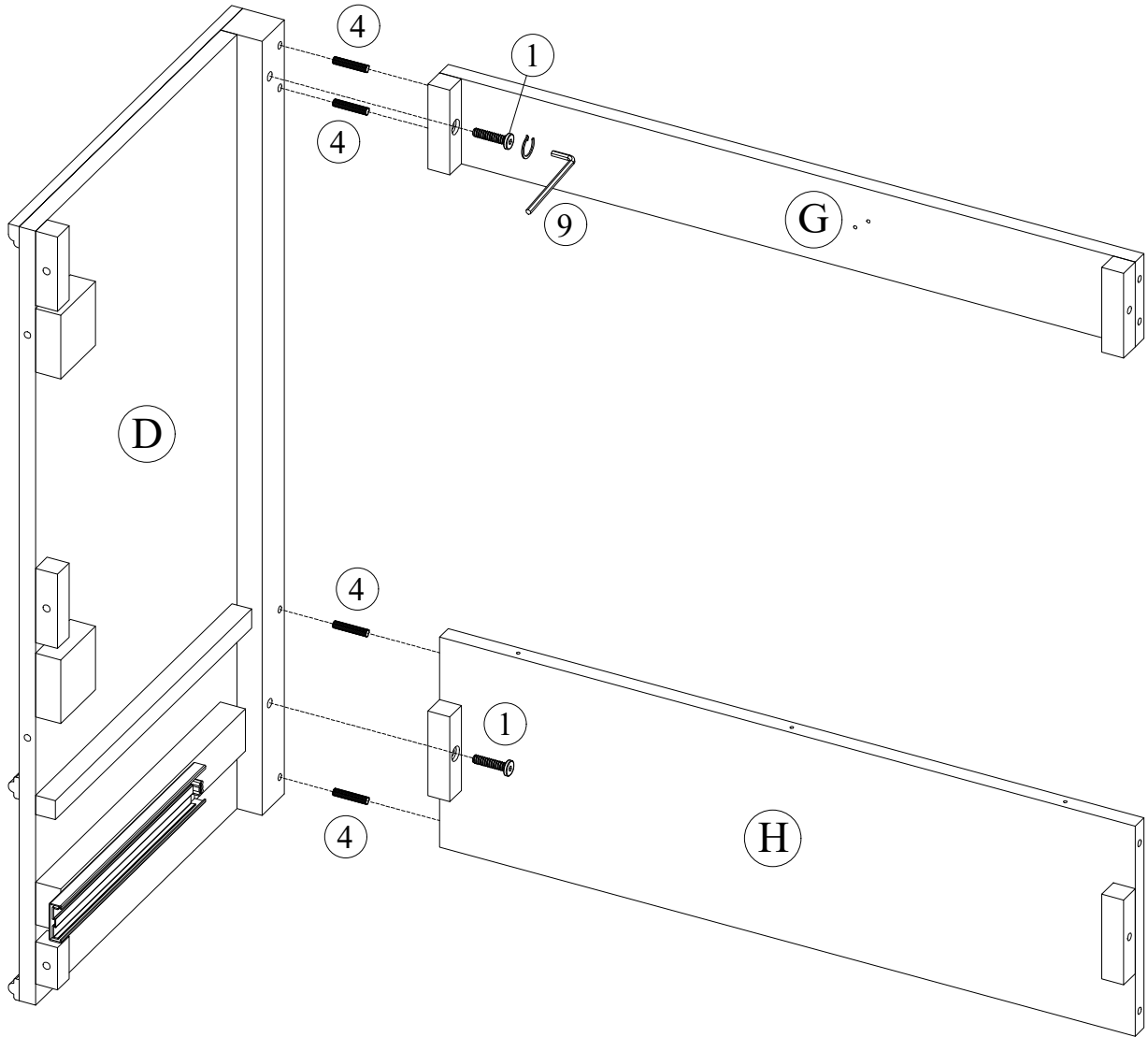


STEP 2



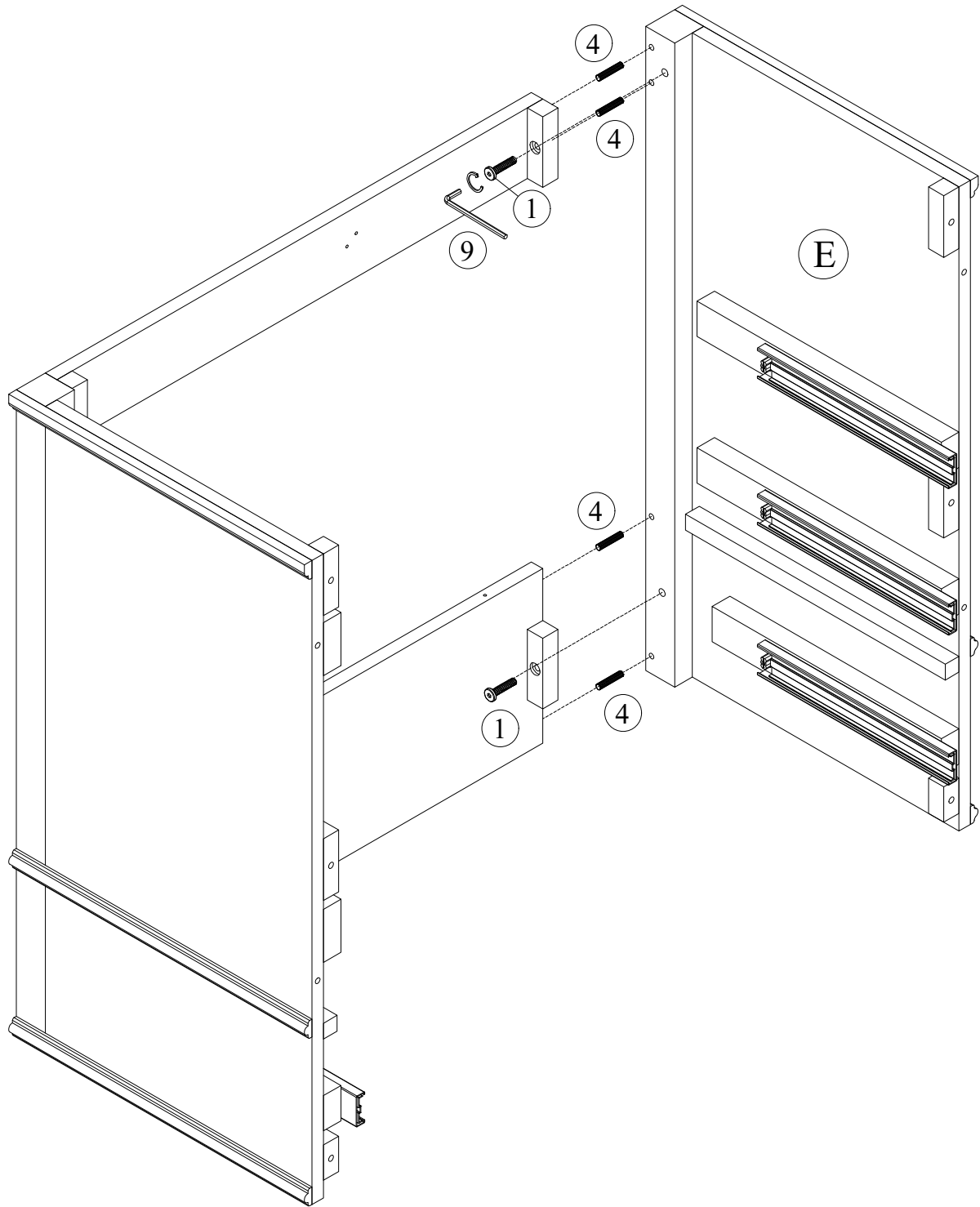
No.	Hardware	Q'ty
3	Cam locks	3
4	Wooden dowels	3

STEP 3



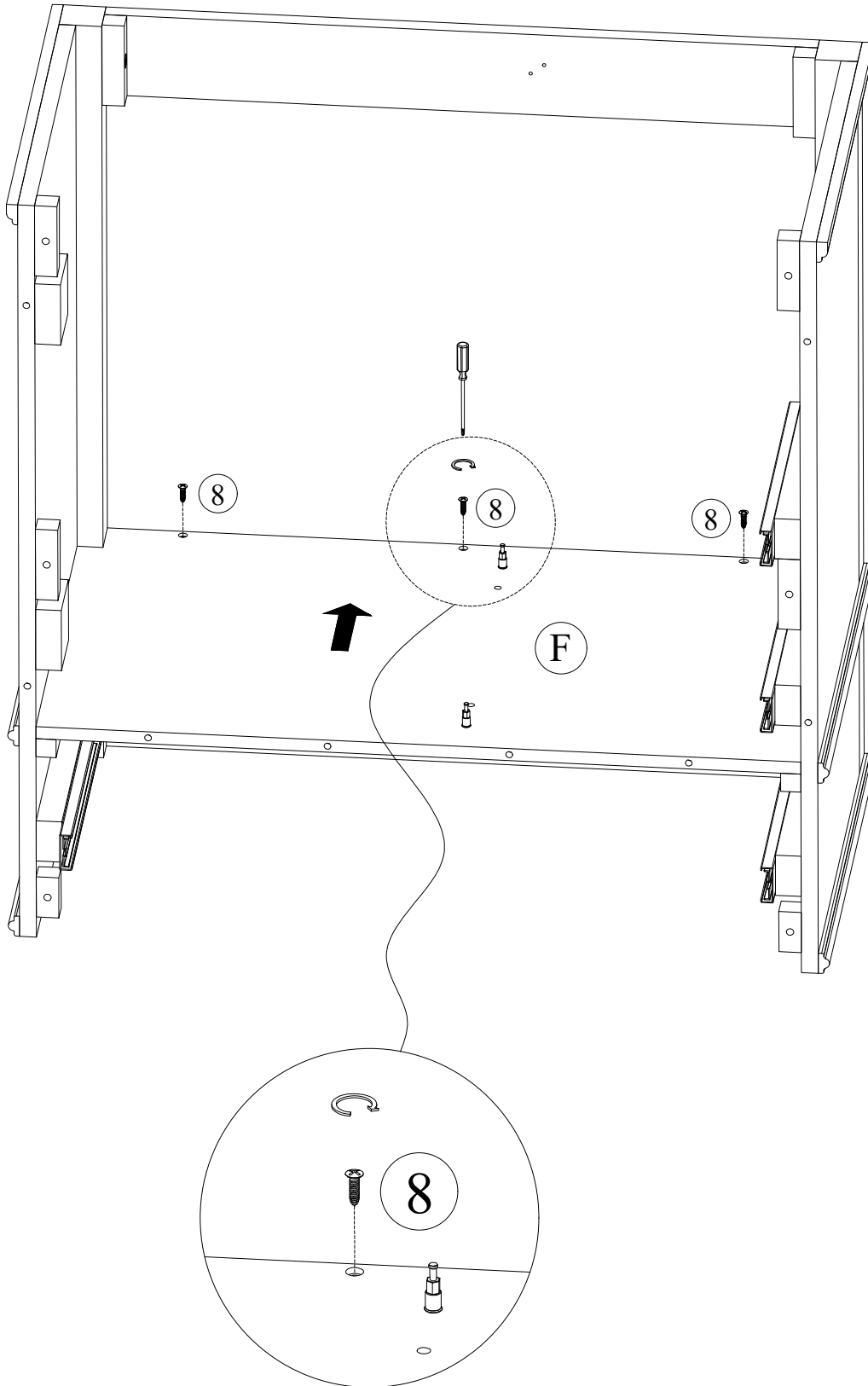
No.	Hardware	Q'ty
1	Allen Bolts 1/4"x35	2
4	Wooden dowels	4
9	Allen key	1

STEP 4



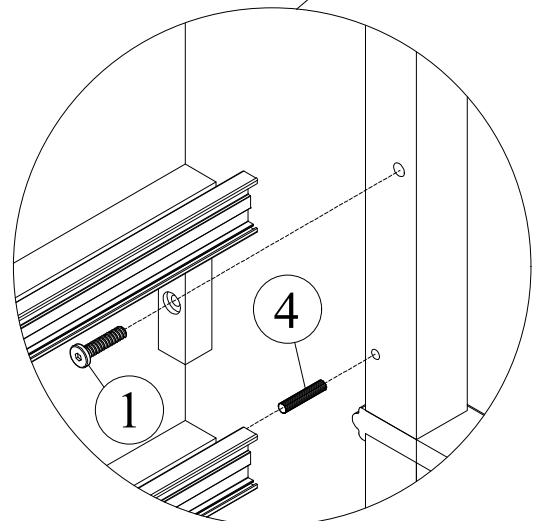
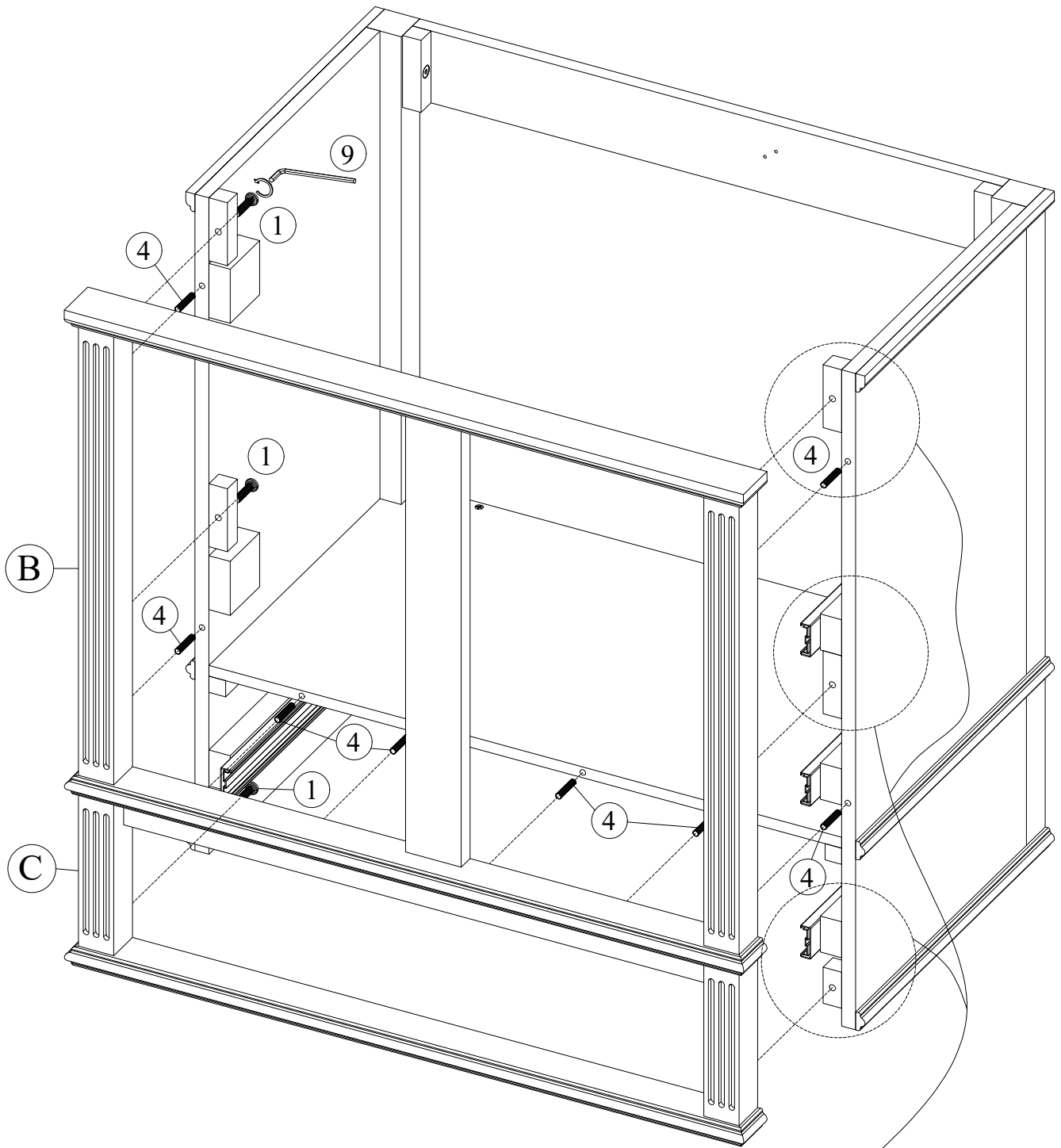
No.	Hardware	Q'ty
1	Allen Bolts 1/4"x35	2
4	Wooden dowels	4
9	Allen key	1

STEP 5



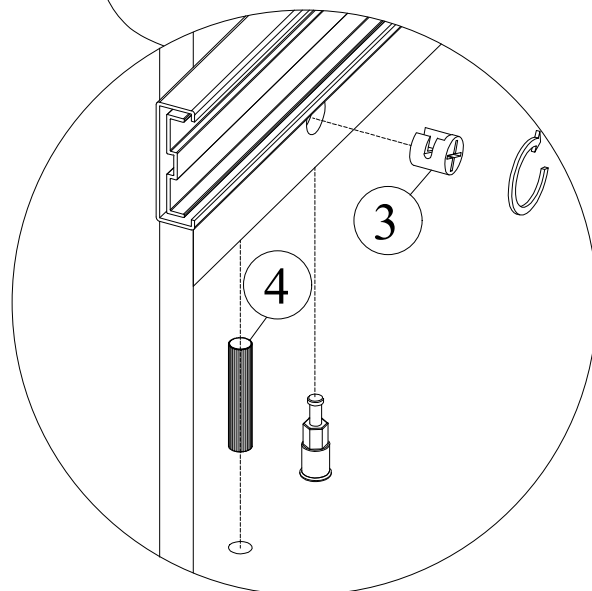
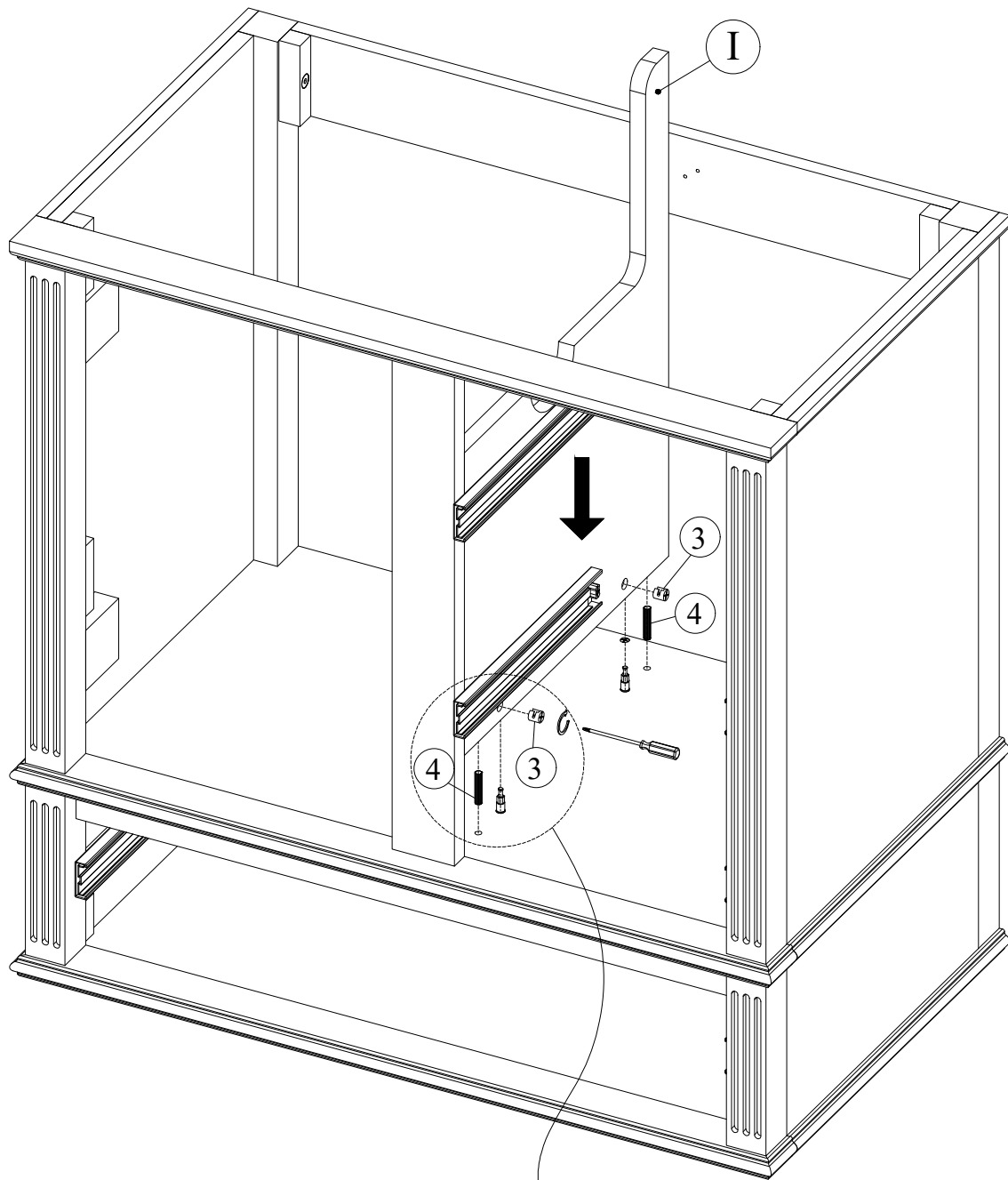
No.	Hardware	Q'ty
8	Screws 4x25	3

STEP 6



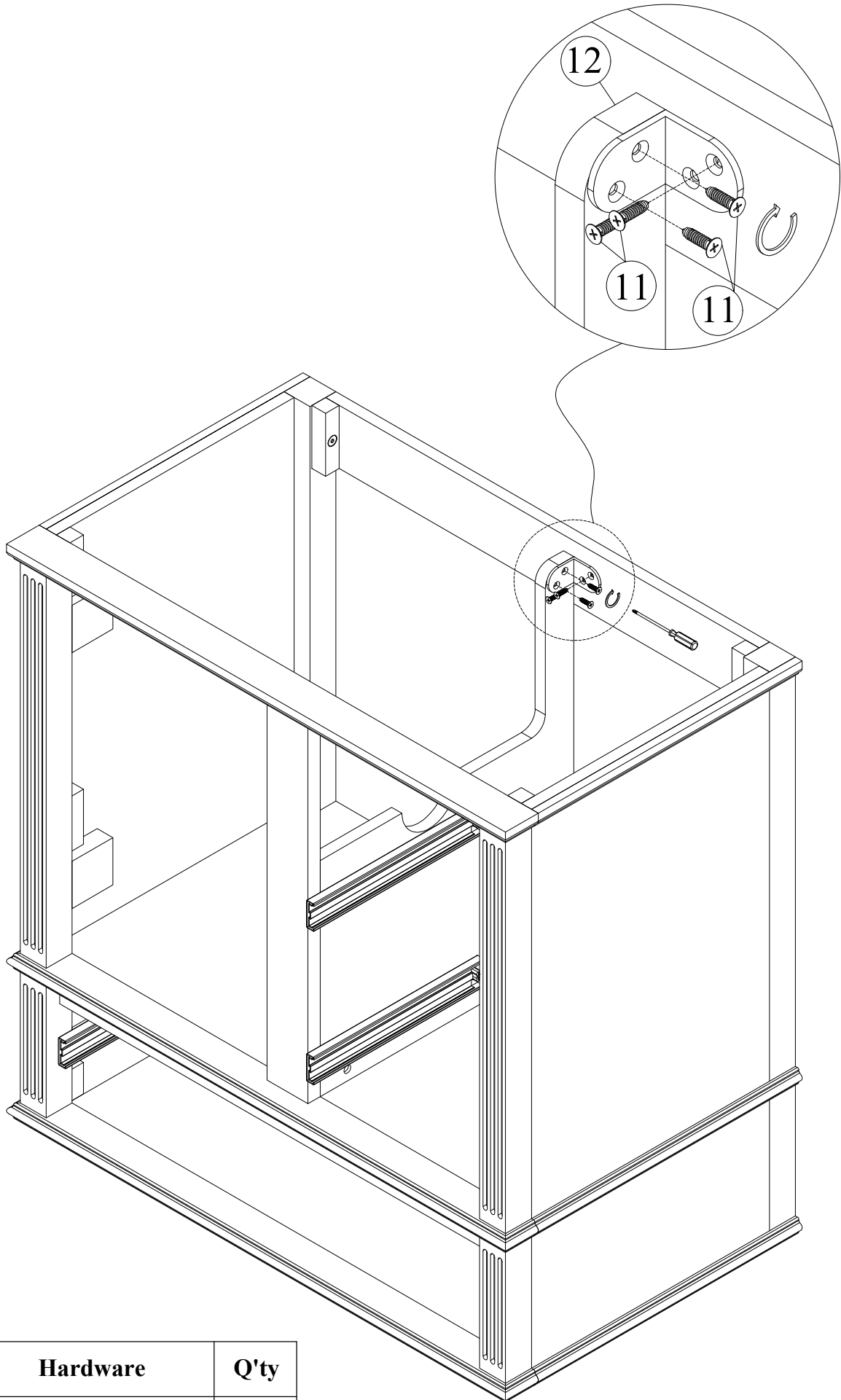
No.	Hardware	Q'ty
1	Allen Bolts 1/4"x35	6
4	Wooden dowels	8
9	Allen key	1

STEP 7



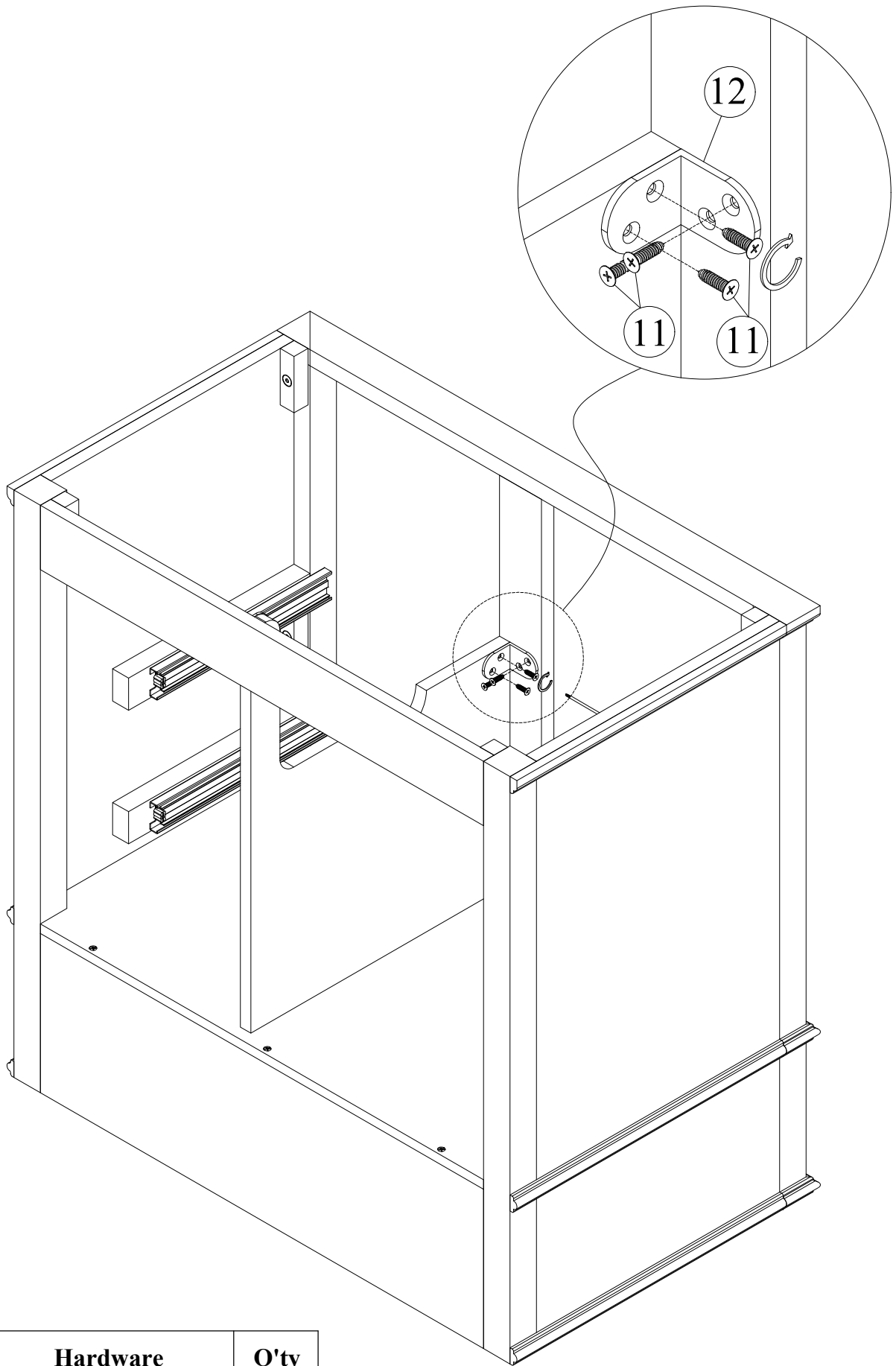
No.	Hardware	Q'ty
3	Cam locks	2
4	Wooden dowels	2

STEP 8



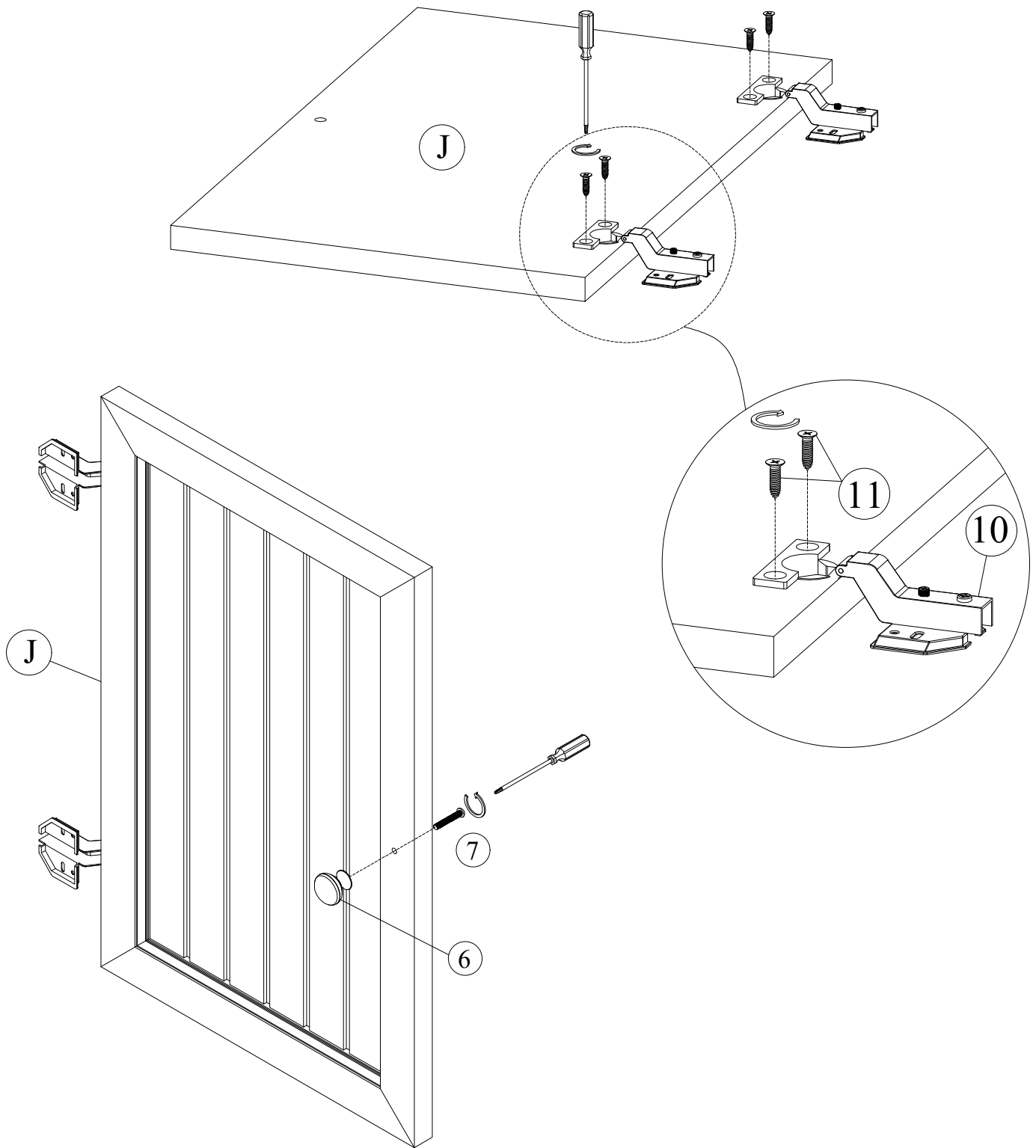
No.	Hardware	Q'ty
11	Screws 4x15	4
12	Angle Bracket	1

STEP 9



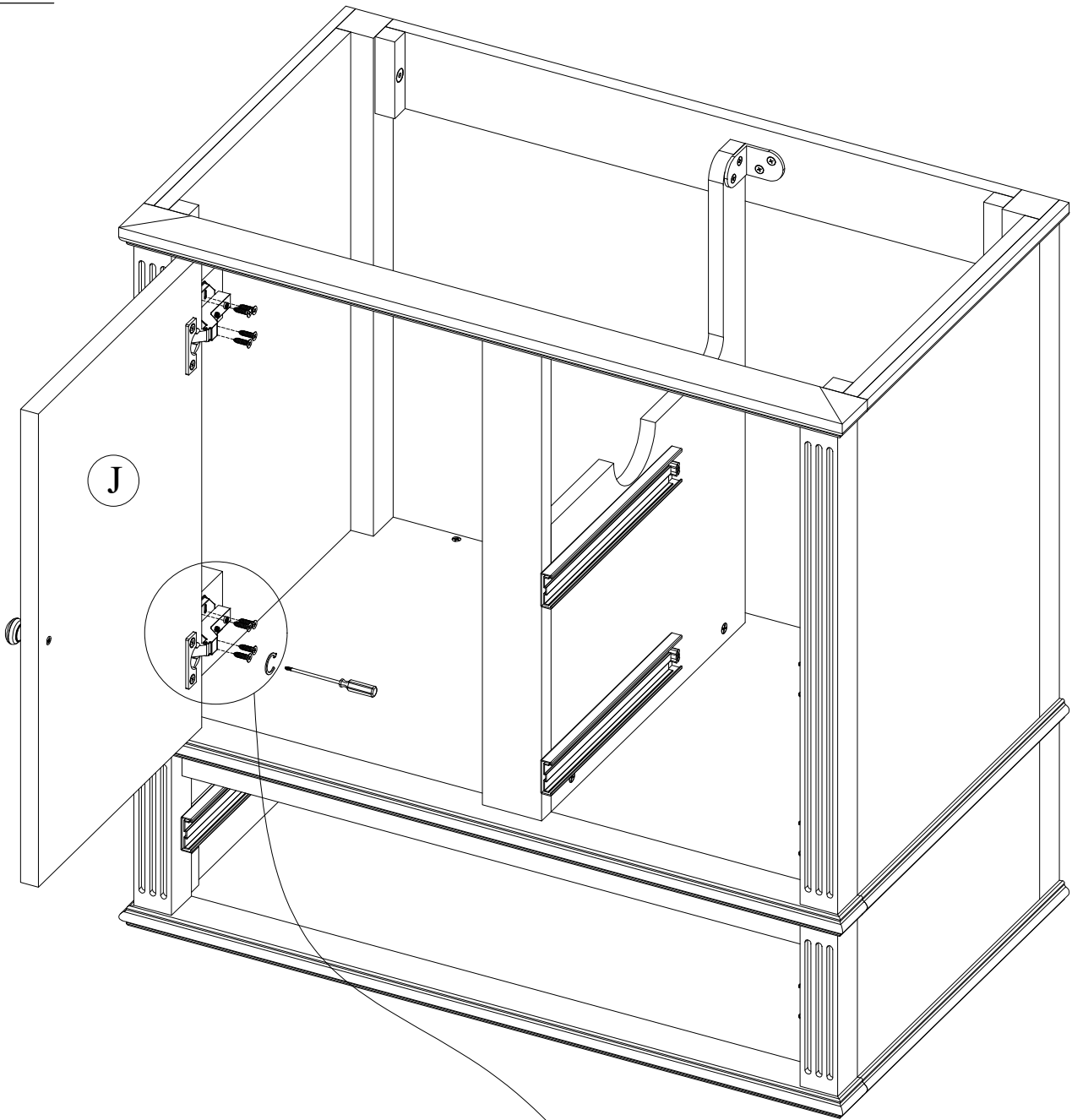
No.	Hardware	Q'ty
11	Screws 4x15	4
12	Angle Bracket	1

STEP 10

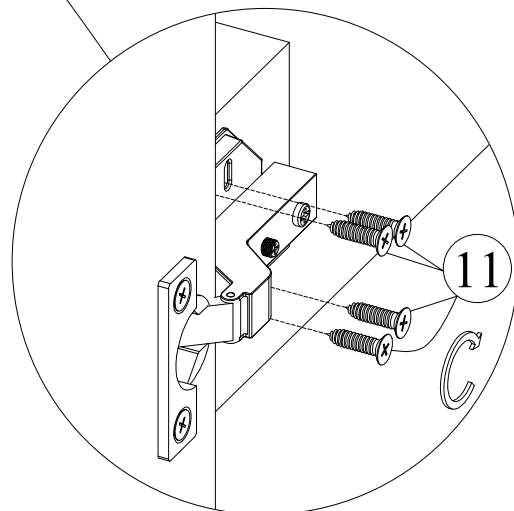


No.	Hardware	Q'ty
6	Knob	1
7	Bolt M4x25	1
10	Hinges	2
11	Screws 4x15	4

STEP 11

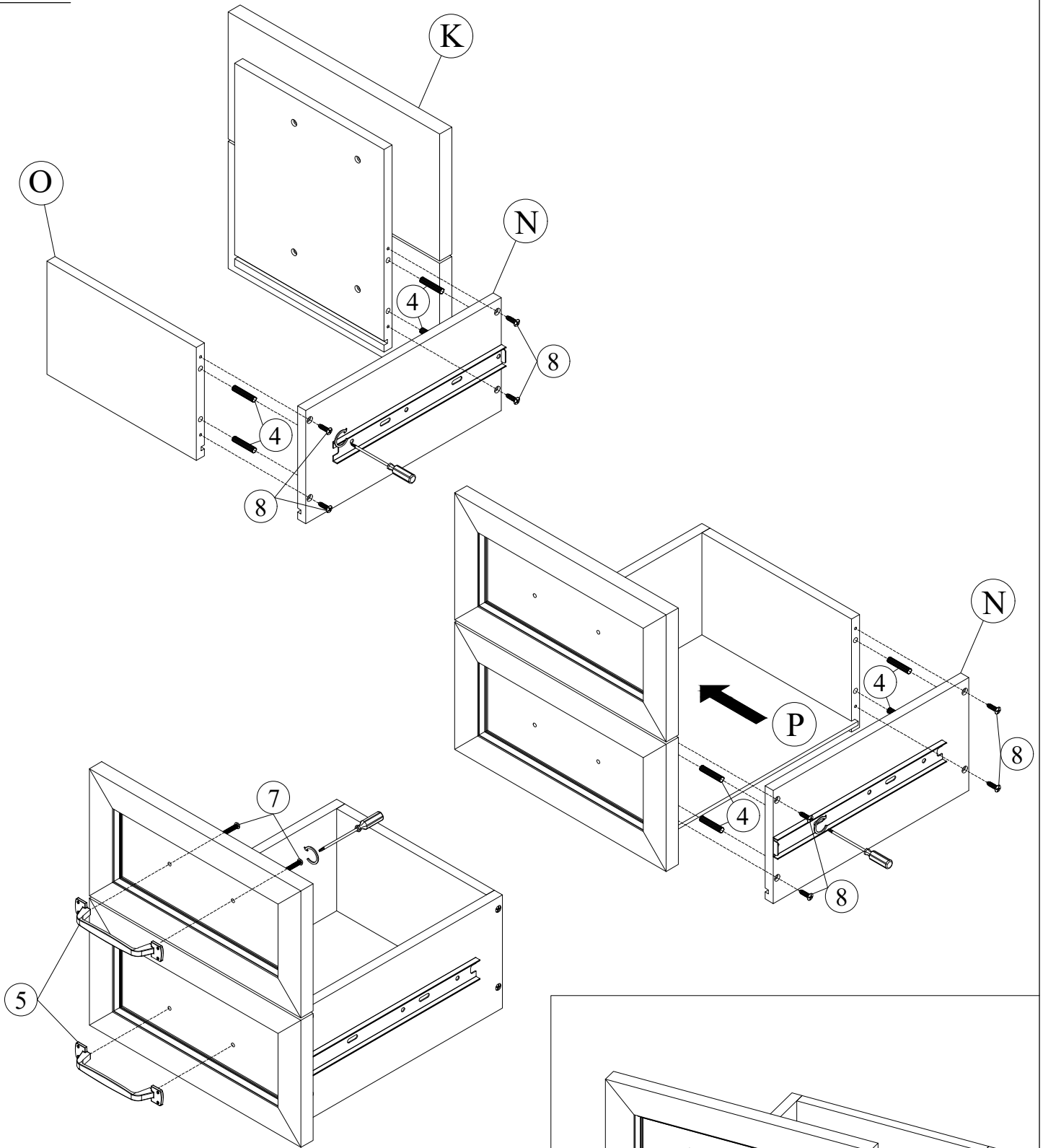


Scan the QR code to adjust the cabinet door clearance as desired.

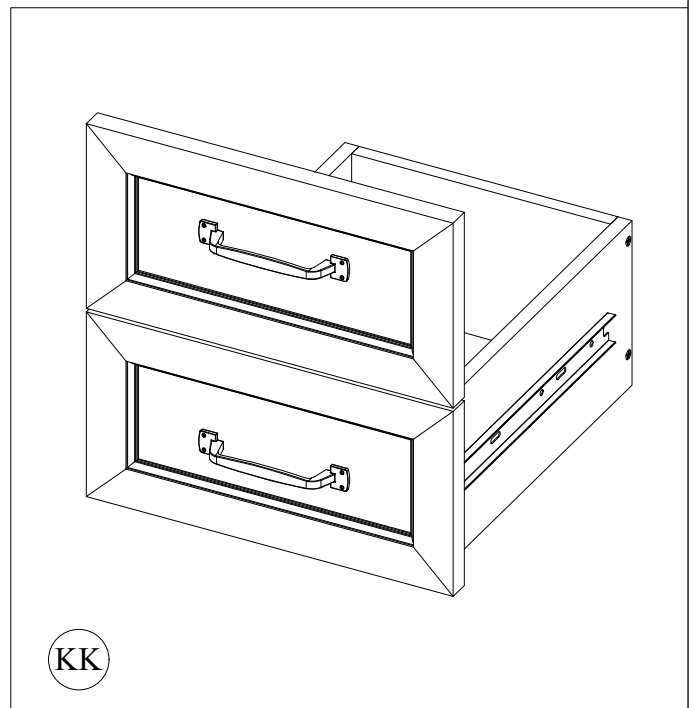


No.	Hardware	Q'ty
11	Screws 4x15	8

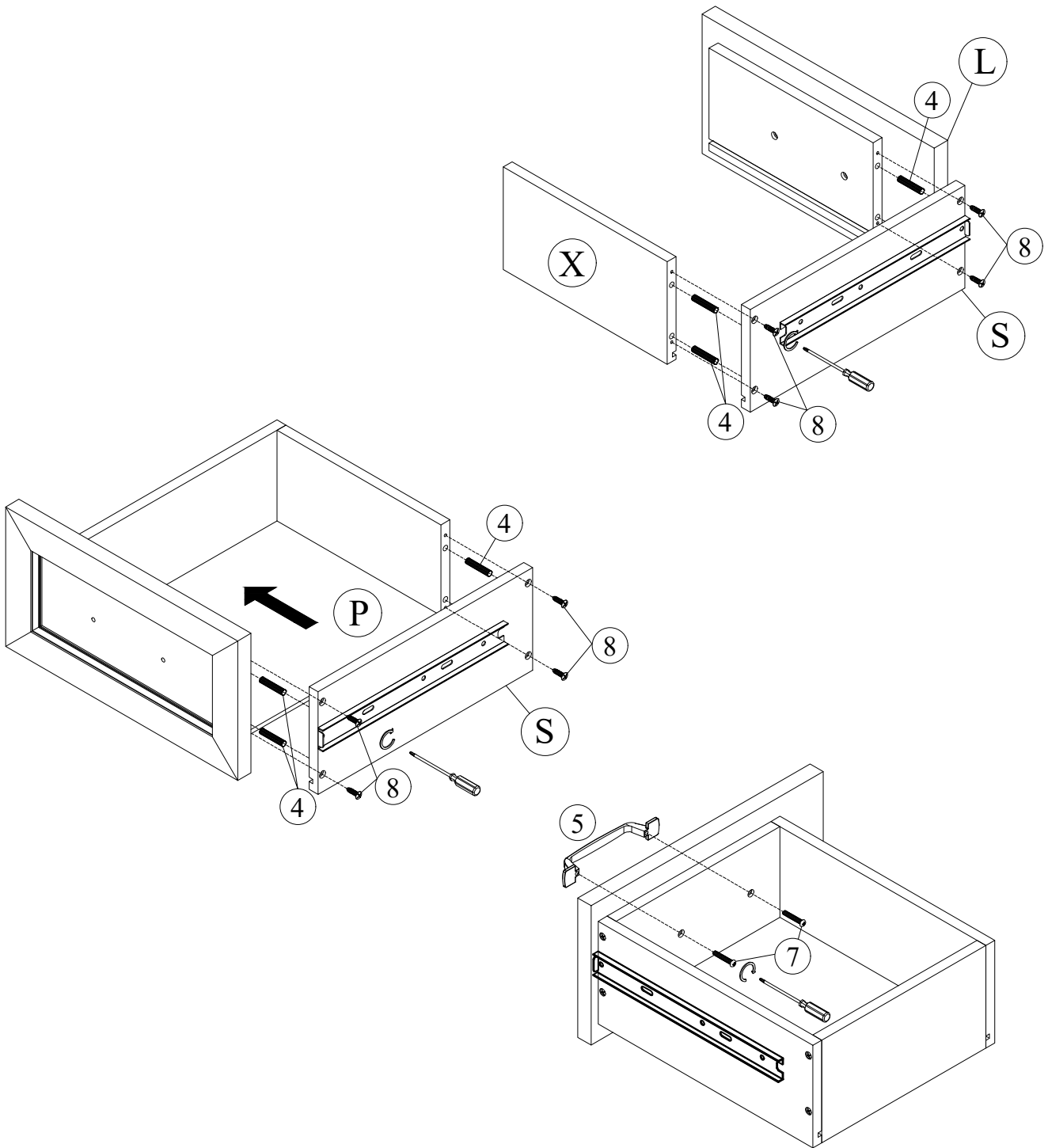
STEP 12



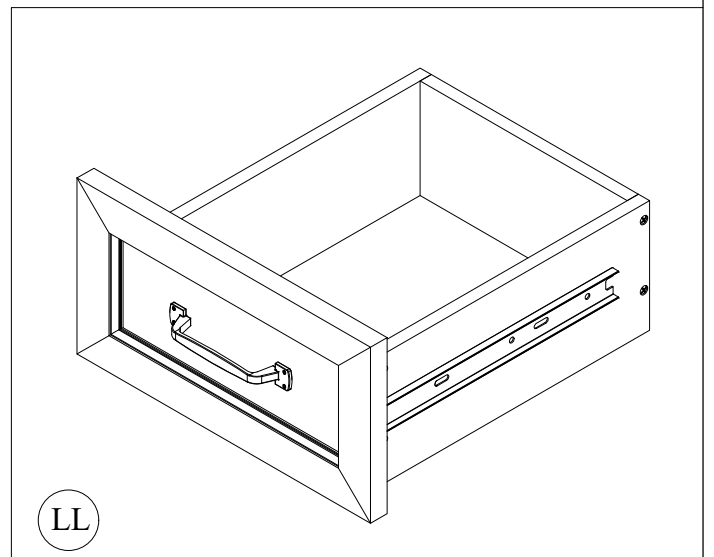
No.	Hardware	Q'ty
4	Wooden dowels	8
5	Handles	2
7	Bolt M4x25	4
8	Screws 4x25	8



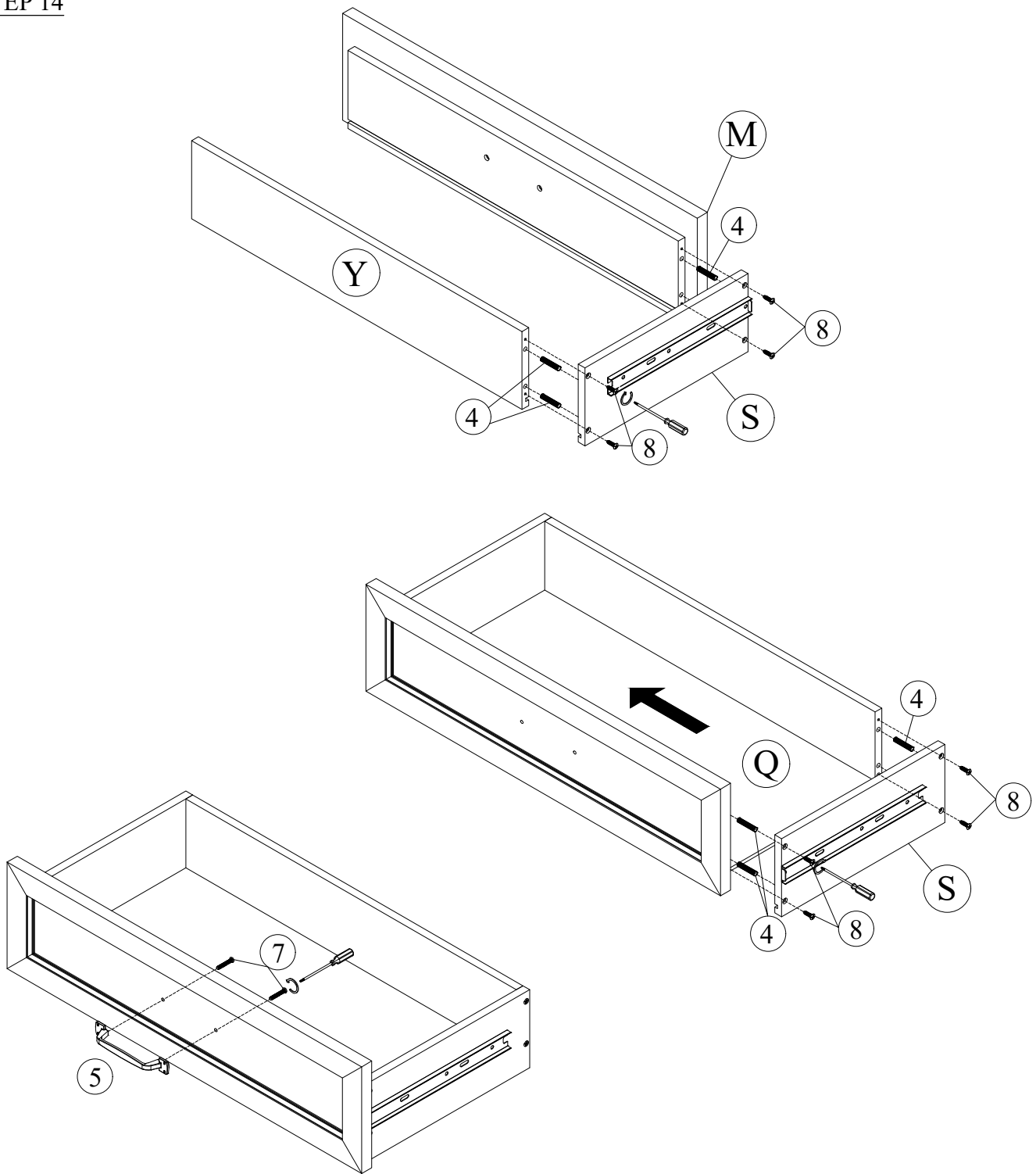
STEP 13



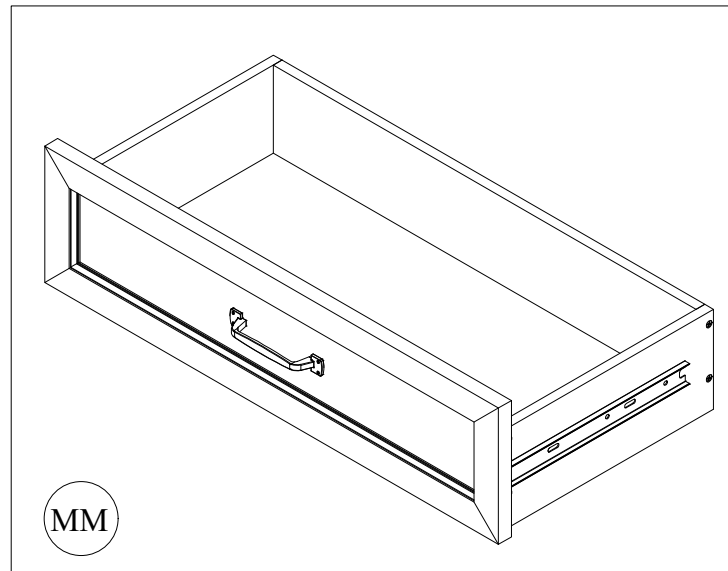
No.	Hardware	Q'ty
4	Wooden dowels	8
5	Handles	1
7	Bolt M4x25	2
8	Screws 4x25	8



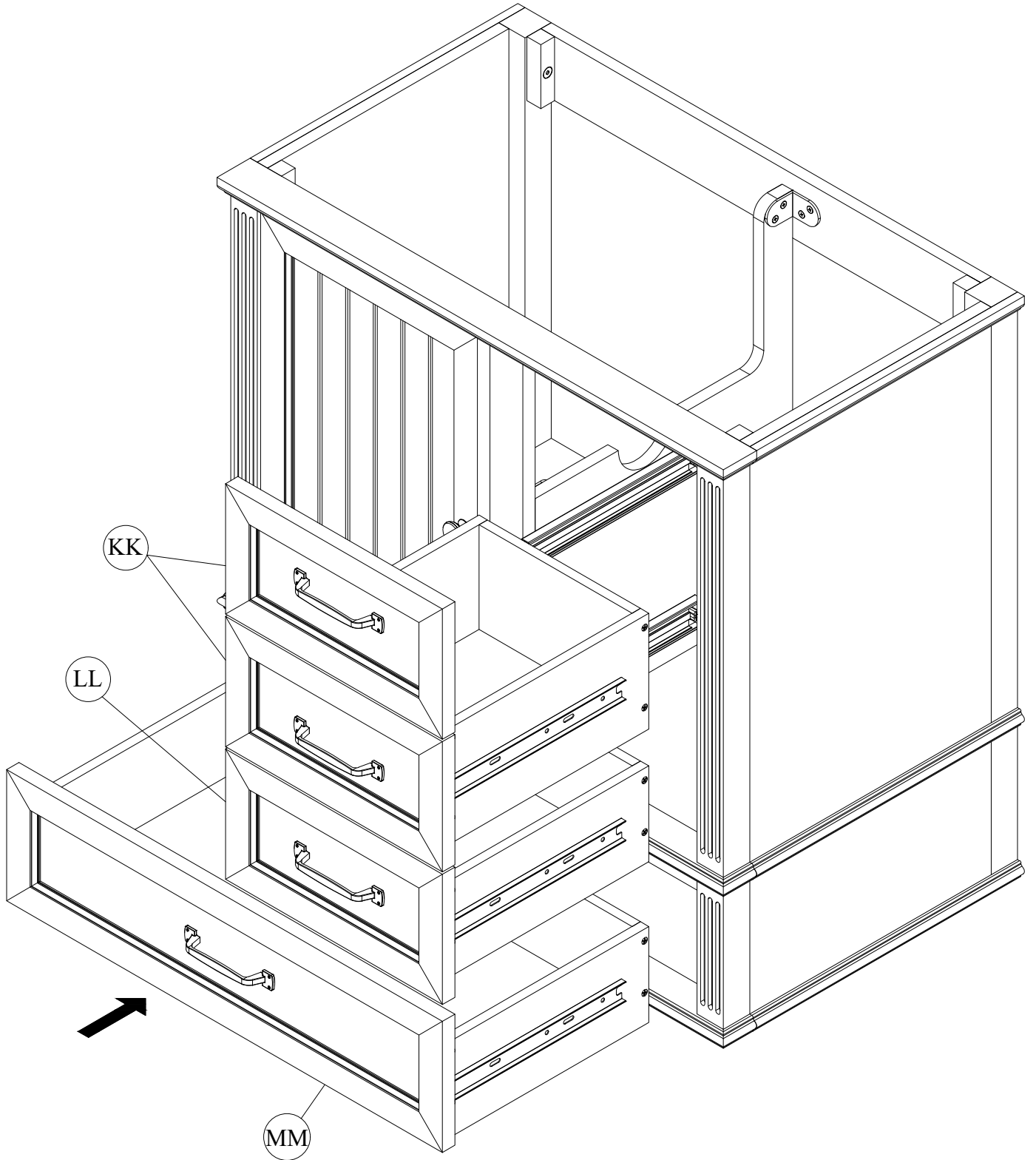
STEP 14



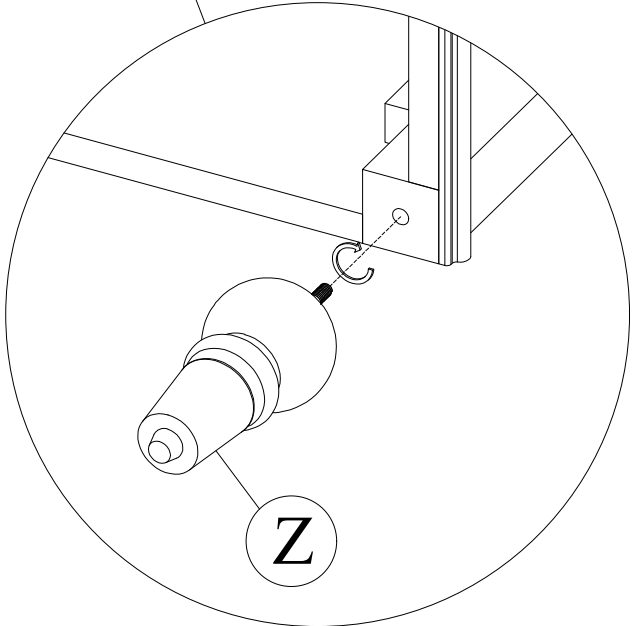
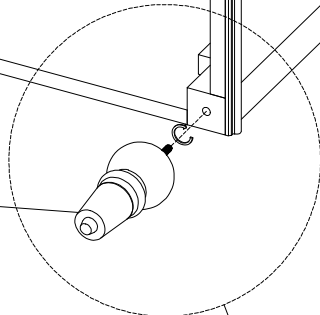
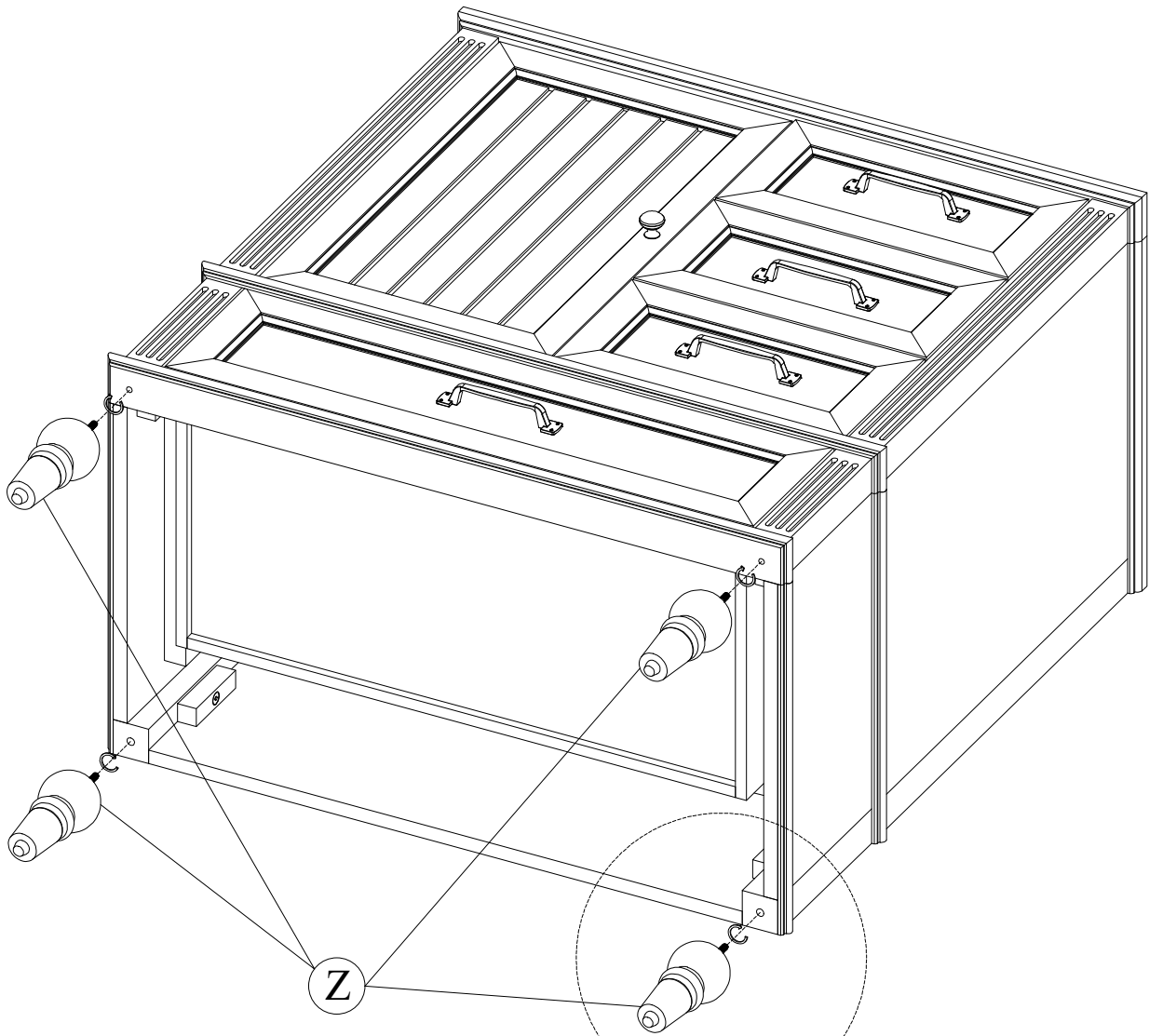
No.	Hardware	Q'ty
4	Wooden dowels	8
5	Handles	1
7	Bolt M4x25	2
8	Screws 4x25	8

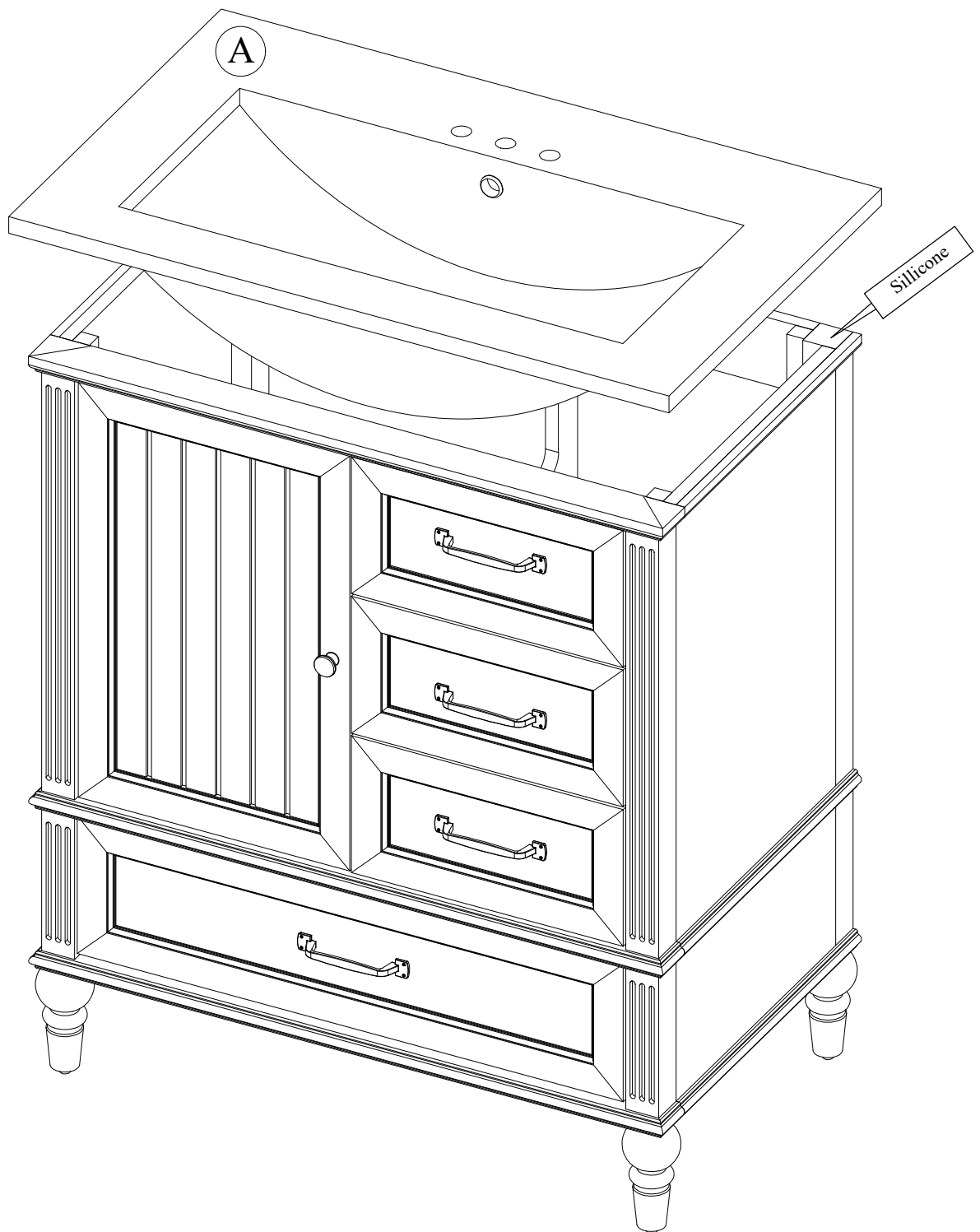


STEP 15



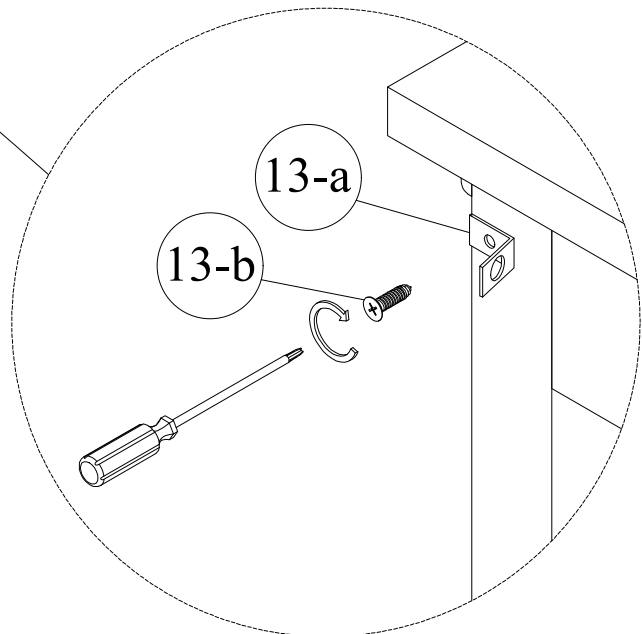
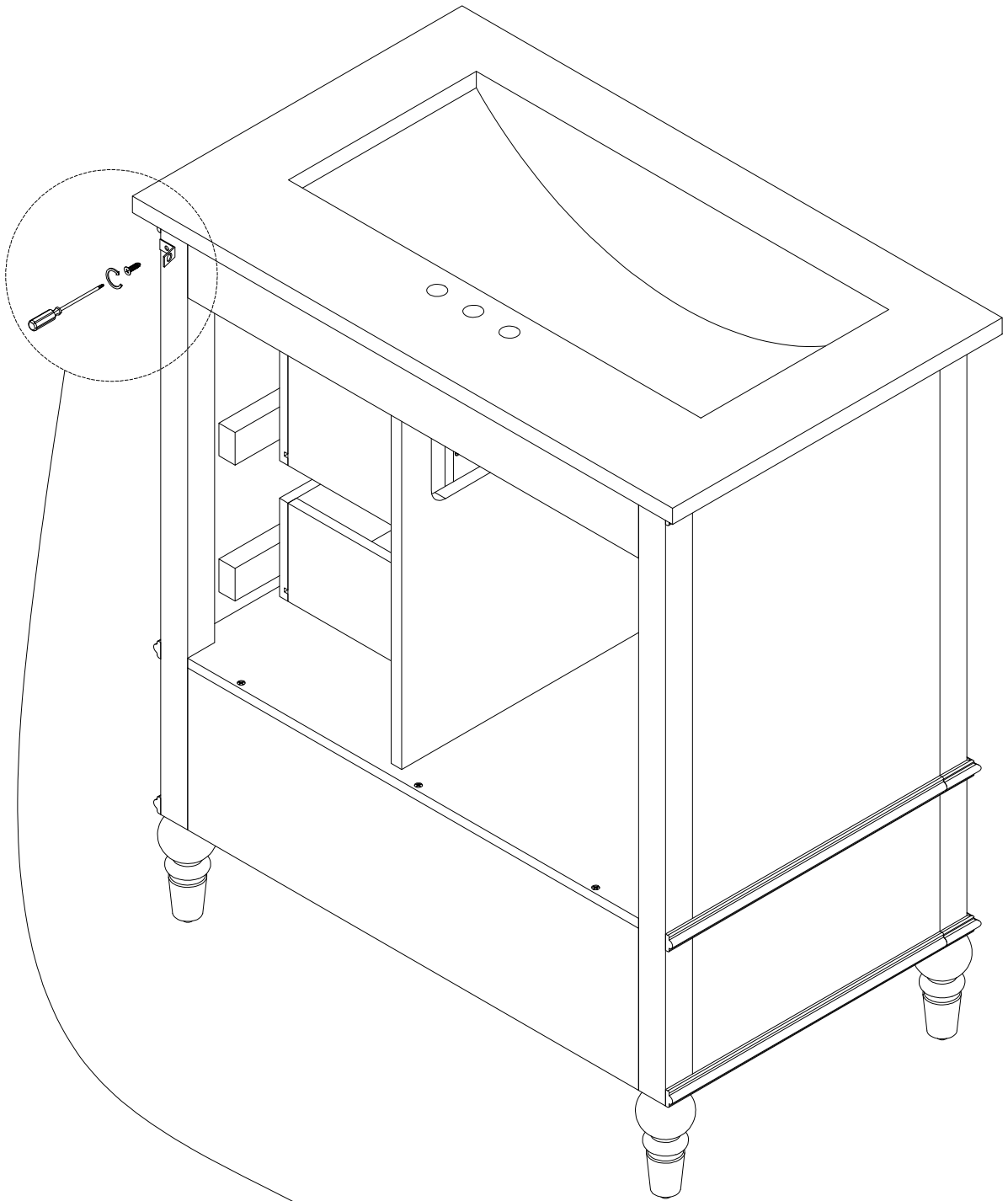
STEP 16







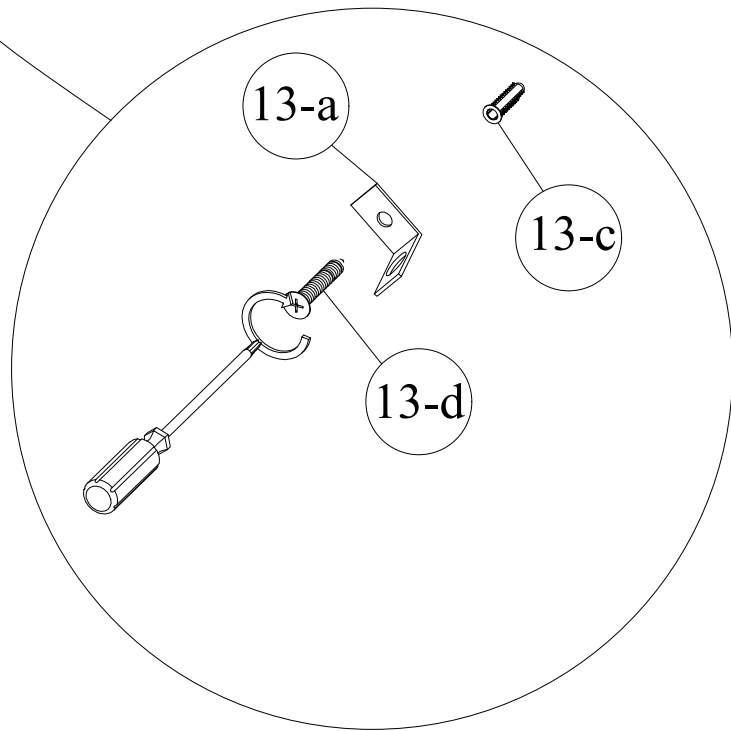
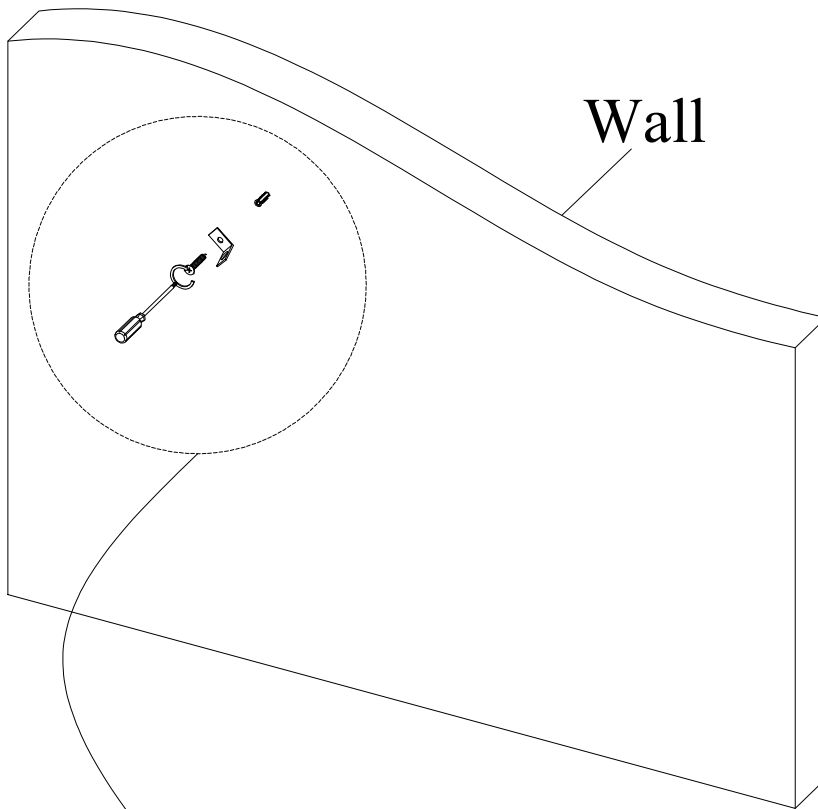
**Install the Sink on the cabinet with glue.
Let stand for 24 hours.
Apply silicone caulk to the top edge of the wood cabinet.
With the help of another adult, gently lower the Sink top with
assembled sink onto the cabinet.**




STEP 18



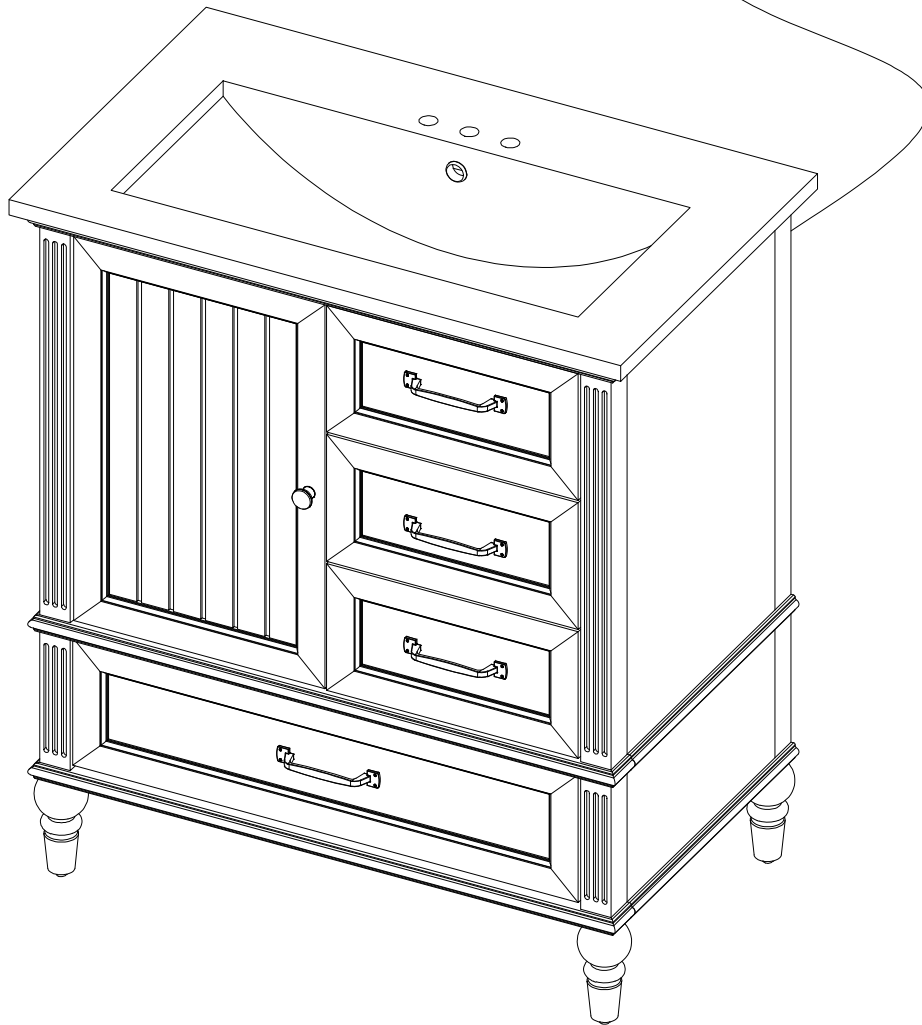
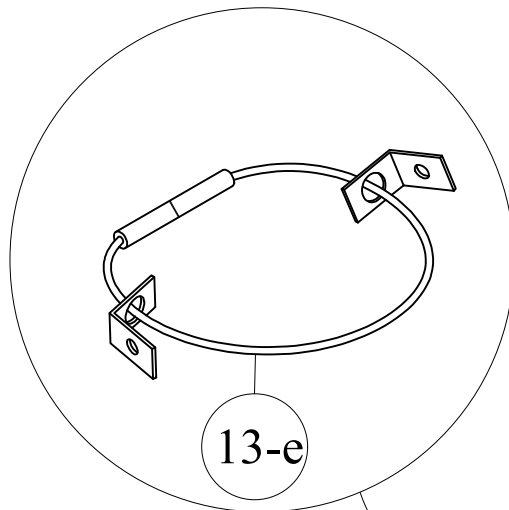
No.	Hardware	Q'ty
13-a		1
13-b		1

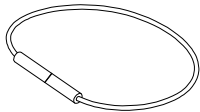
STEP 19



No.	Hardware	Q'ty
13-a		1
13-c		1
13-d		1

STEP 20



No.	Hardware	Q'ty
13-e		1

FINISH

