



BRYGGEN Bar Stool
W 16" D 17 3/4" H 29 7/8"
18 lbs Powder Coated
Stainless Steel and Teak

POWDER COATING



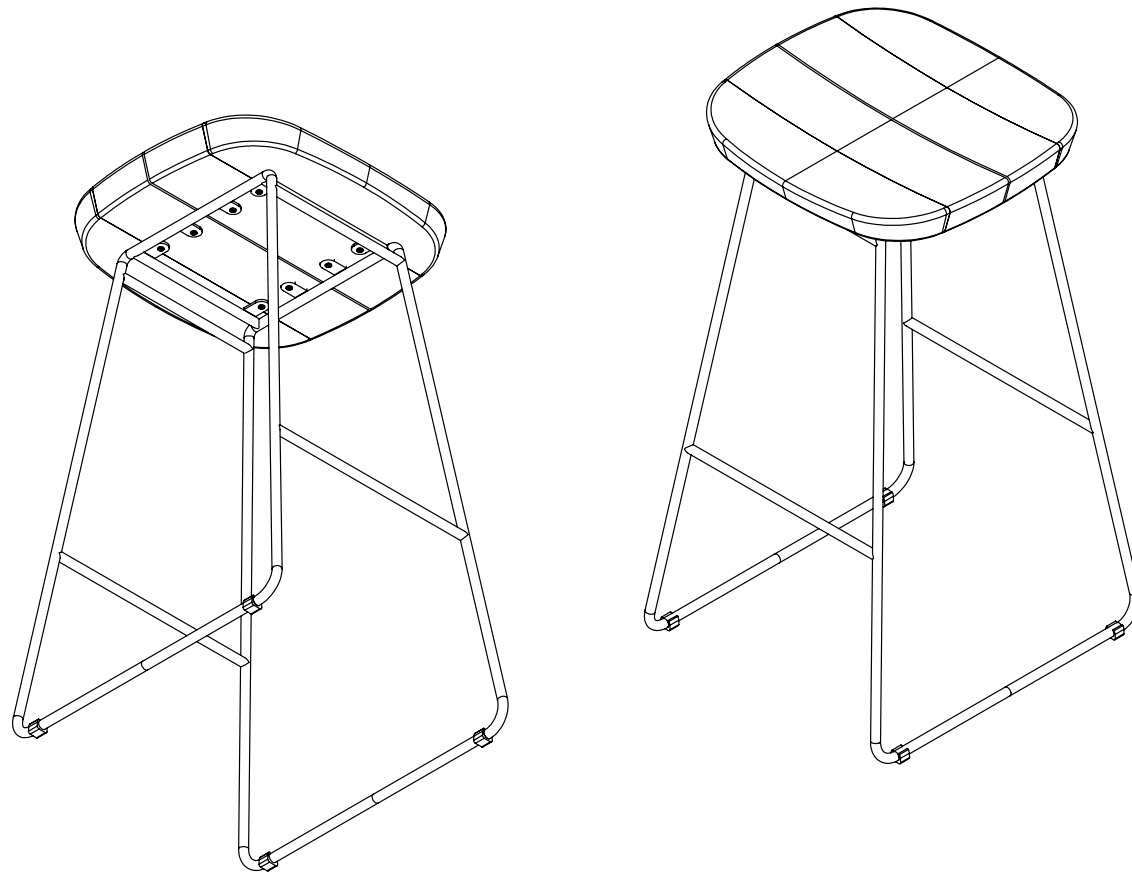
Anthracite



Teak



Anthracite Rope



OASIQ

DWG.NO: A2005017

DIM EXT: 448.4X399.5X764.8mm

MATERIAL: SS+TEAK

FINISH DATE:

2020-6-11

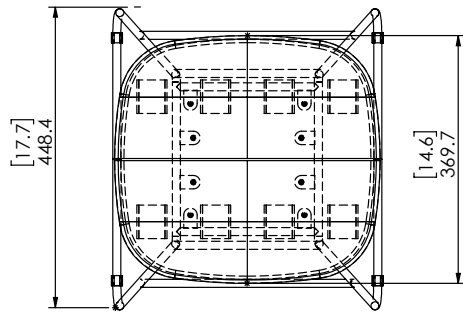
SCALE :

DRAWN BY:

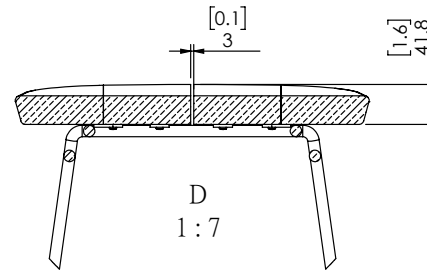
Mr. Ada

1:1

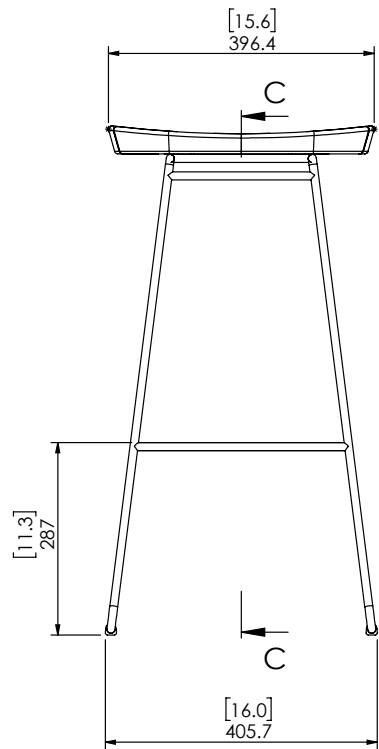




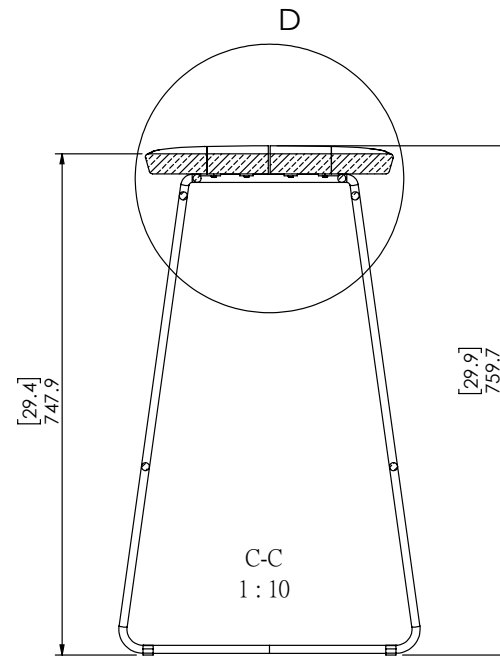
TOP VIEW



D
1:7



FRONT VIEW



C-C
1:10

OASIQ

DWG.NO: A2005017

DIM EXT: 448.4X396.4X761.5mm

MATERIAL: TEAK+SS304

FINISH DATE:

2020-6-11

DRAWN BY:

Mr. Ada

SCALE :

1:1