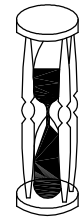
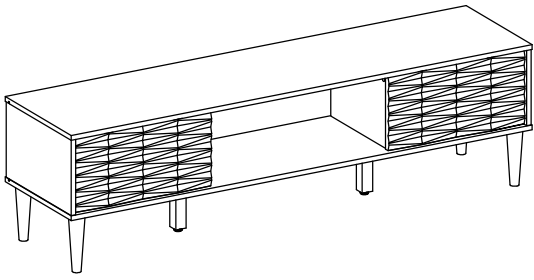


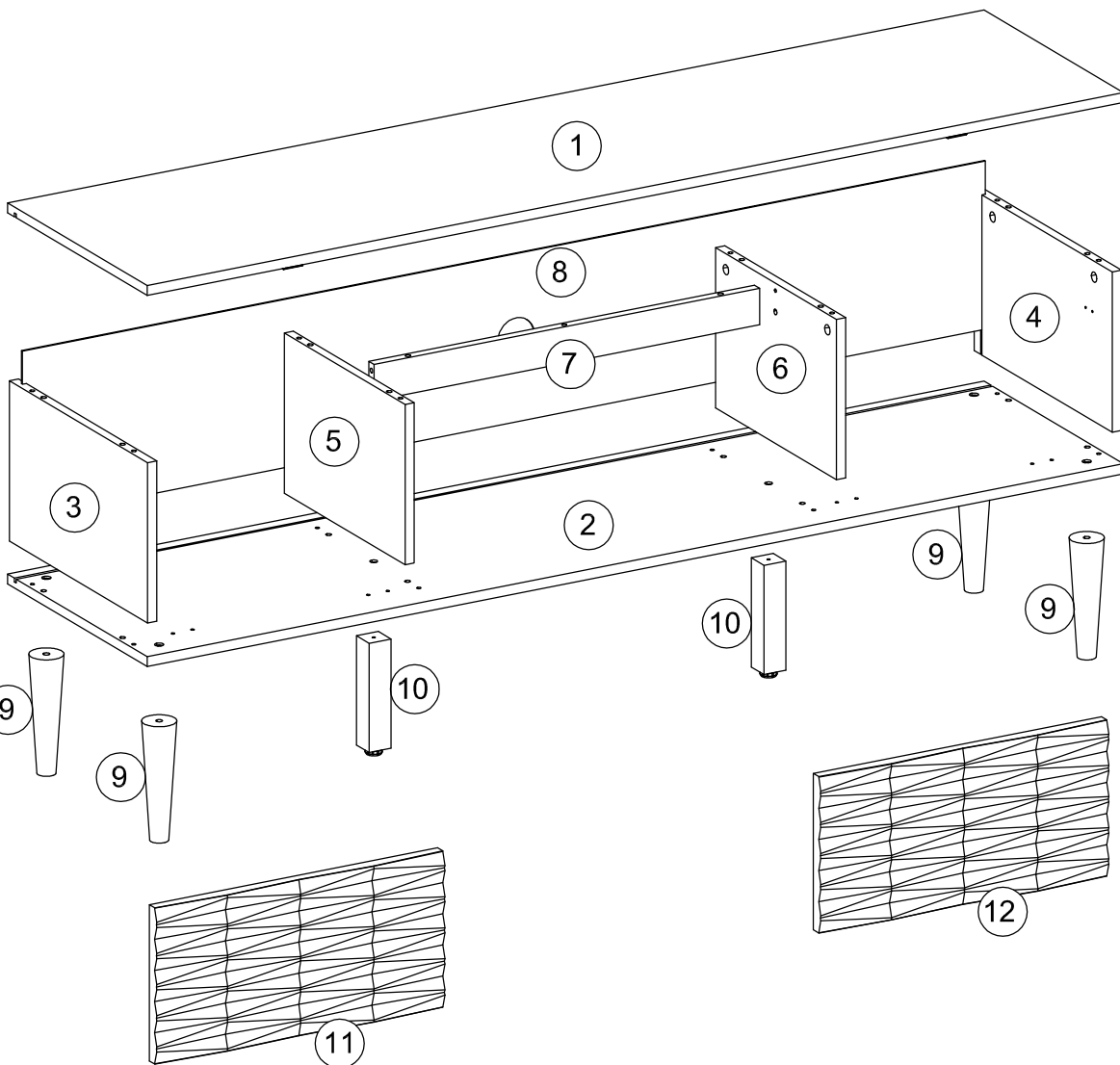
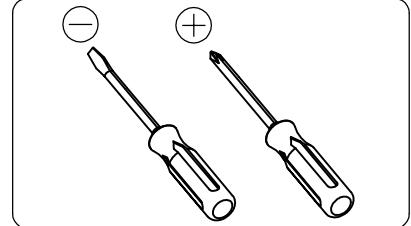
TV STAND 160



45 min




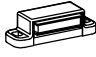



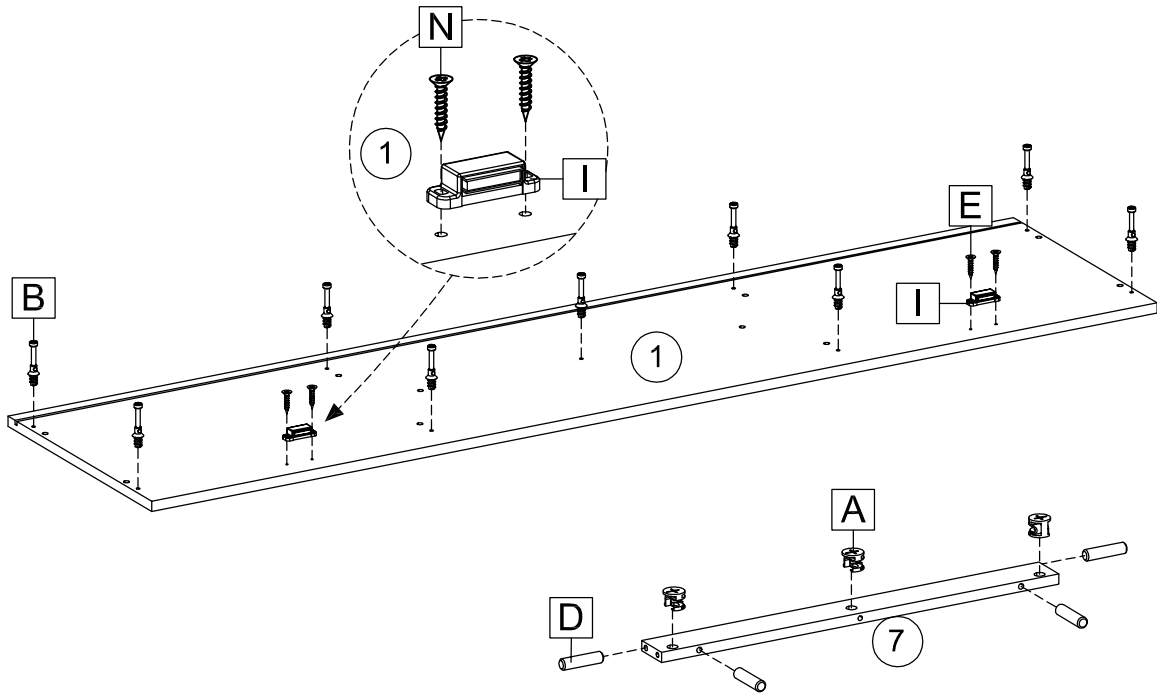
x2






A 11X	B 11X	C 15X	D 20X	E 2X	F 10X	G 12X	H 12X	I 2X	J 2X
4 x 10 mm	4 x 12 mm			6 x 12 mm	10 x 33.5 mm	4 x 19 mm			
K 8X	L 2X	M 4 SET	N 4X	O 1 SET	P 8X	Q 4X	R 1X		
4 x 10 mm	4 x 12 mm		6 x 15 mm		4 x 13 mm	6 x 30 mm			

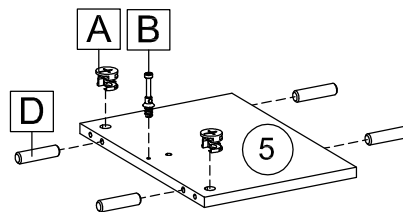
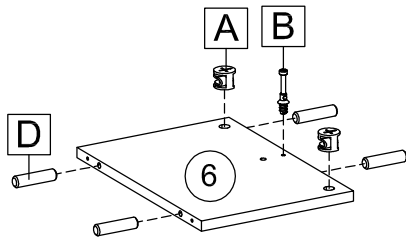
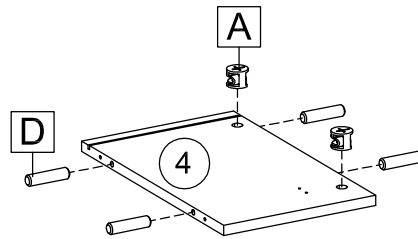
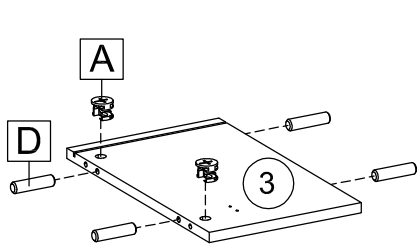
1

- | | | | | |
|-----------------------------------------------------------------------------------------------------|-----------------------------------------------------------------------------------------------------|-----------------------------------------------------------------------------------------------------|-----------------------------------------------------------------------------------------------------|-----------------------------------------------------------------------------------------------------|
| A

3x | B

9x | D

4x | I

2x | N

4x |
|-----------------------------------------------------------------------------------------------------|-----------------------------------------------------------------------------------------------------|-----------------------------------------------------------------------------------------------------|-----------------------------------------------------------------------------------------------------|-----------------------------------------------------------------------------------------------------|









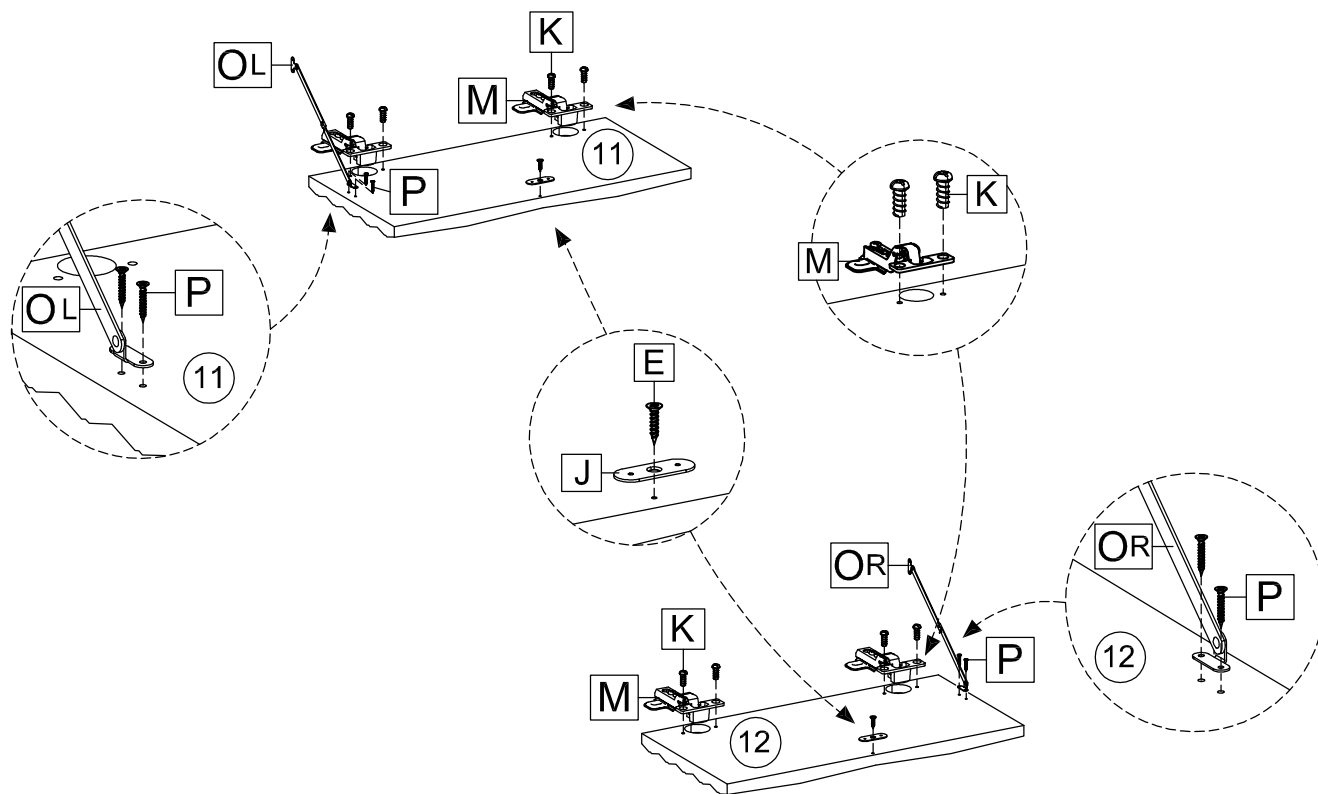
2

- | | | |
|-------------------------------------------------------------------------------------------------------|-------------------------------------------------------------------------------------------------------|--------------------------------------------------------------------------------------------------------|
| A

8x | B

2x | D

16x |
|-------------------------------------------------------------------------------------------------------|-------------------------------------------------------------------------------------------------------|--------------------------------------------------------------------------------------------------------|






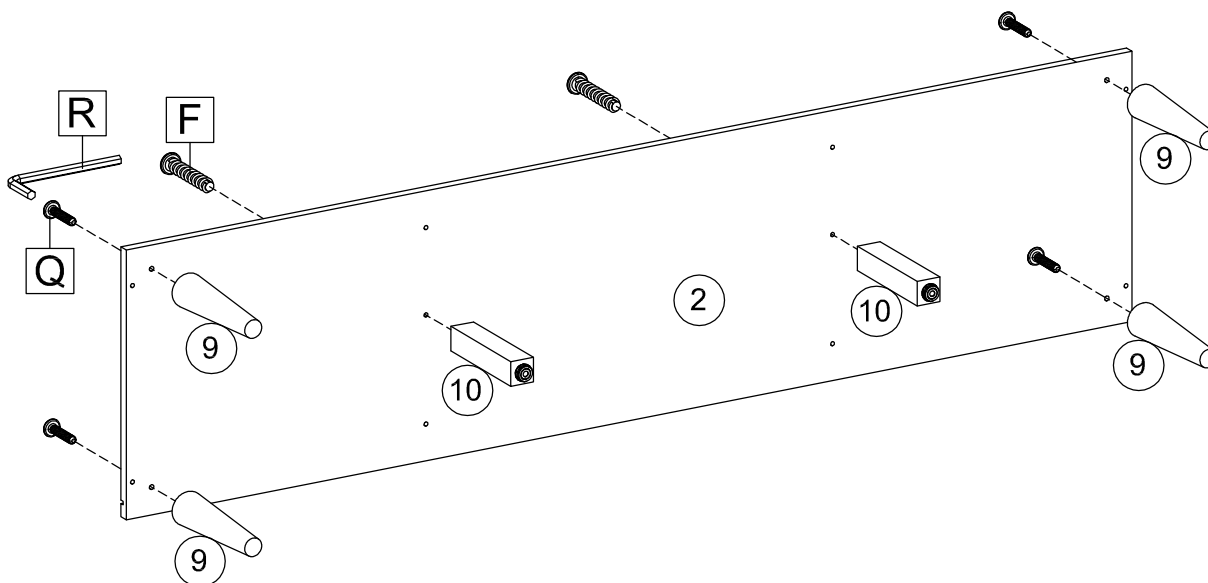
3

E  2x	J  2x	K  8x	M  4x	O  1x	P  4x
-----------------------------------------------------------------------------------------------------	-----------------------------------------------------------------------------------------------------	-----------------------------------------------------------------------------------------------------	-----------------------------------------------------------------------------------------------------	-----------------------------------------------------------------------------------------------------	-------------------------------------------------------------------------------------------------------



4

F  2x	Q  4x	R  1x
-------------------------------------------------------------------------------------------------------	-------------------------------------------------------------------------------------------------------	-------------------------------------------------------------------------------------------------------

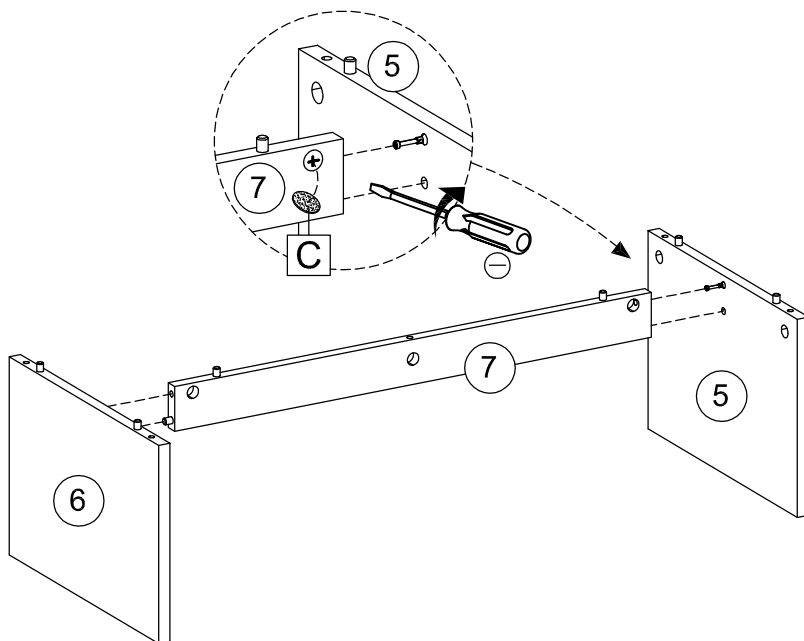


5

C



2x

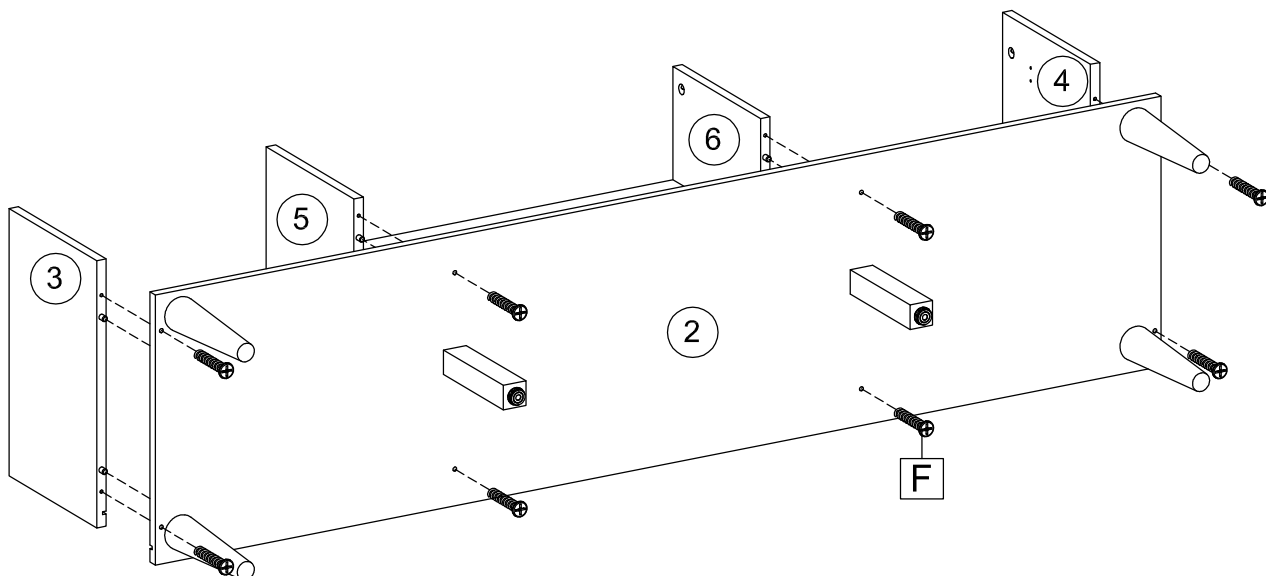


6

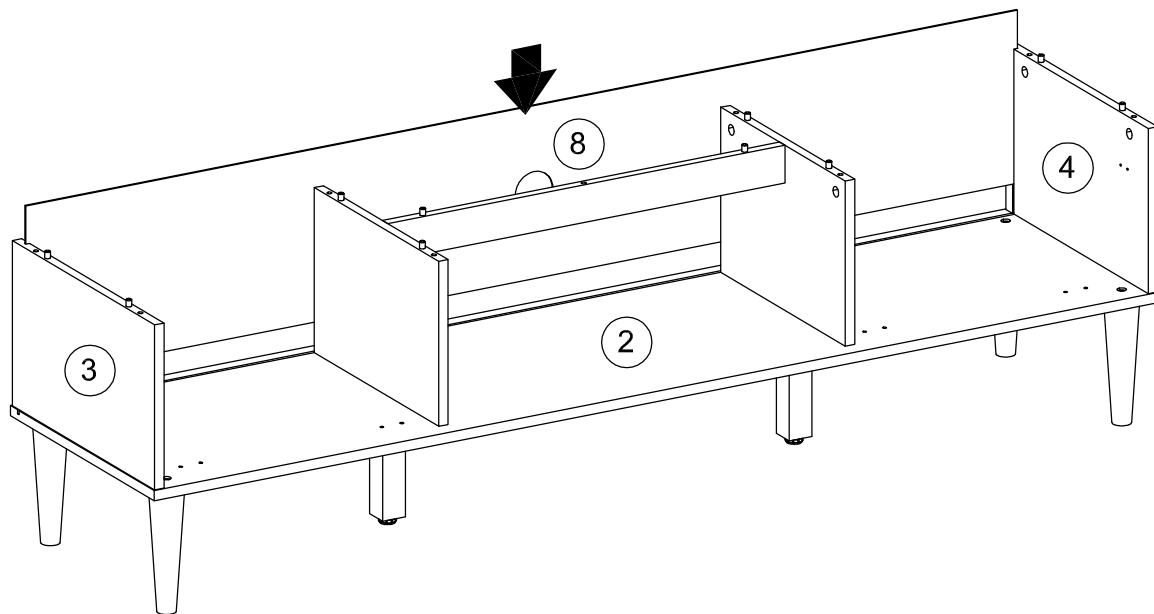
F



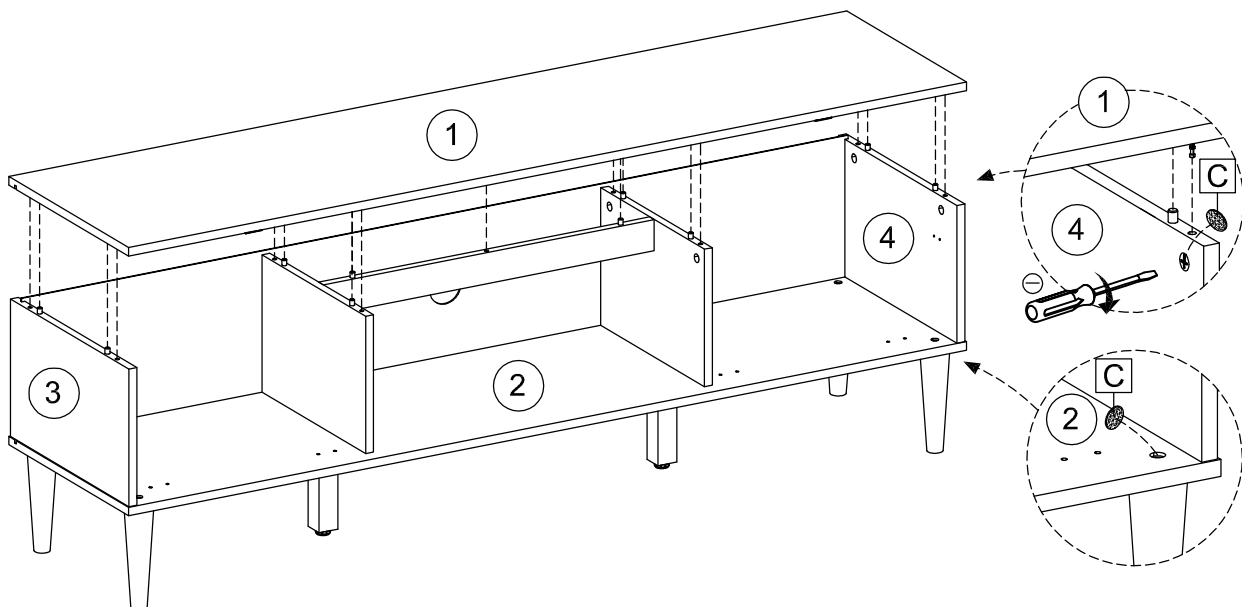
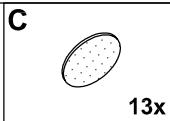
8x



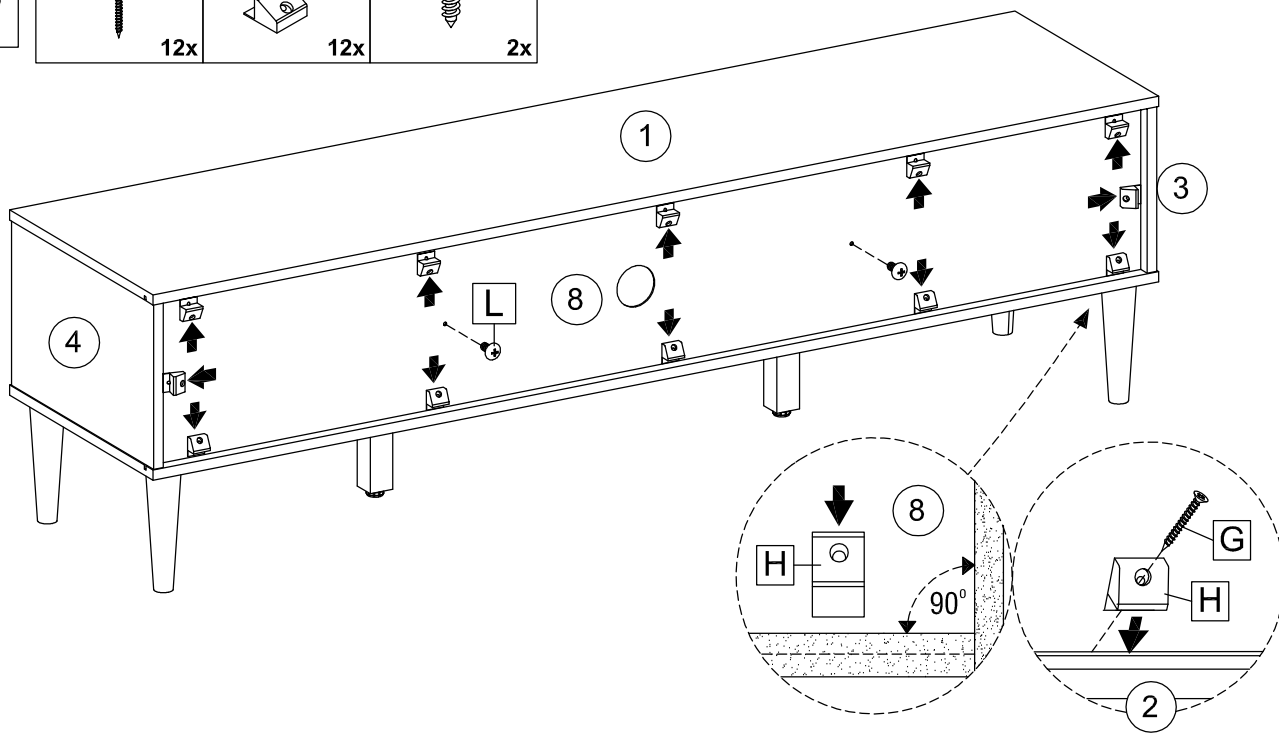
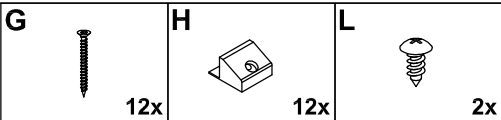
7



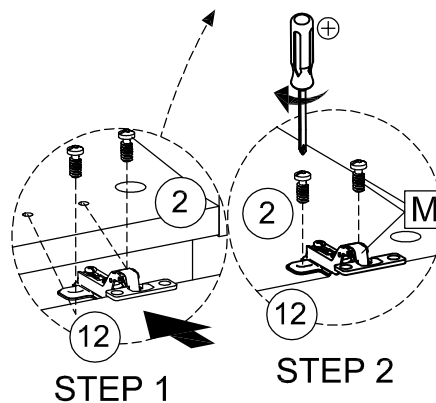
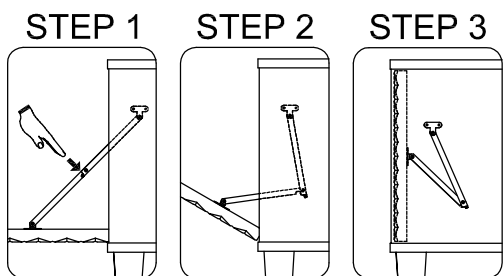
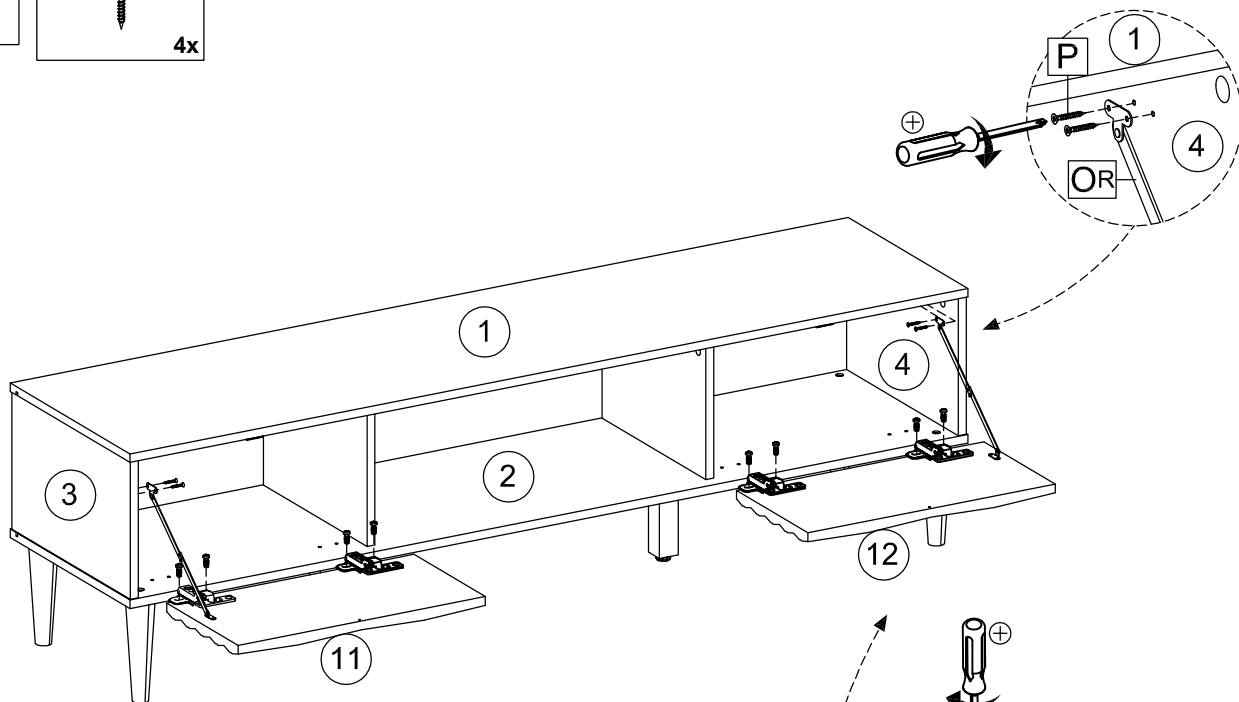
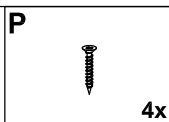
8



9



10



11

