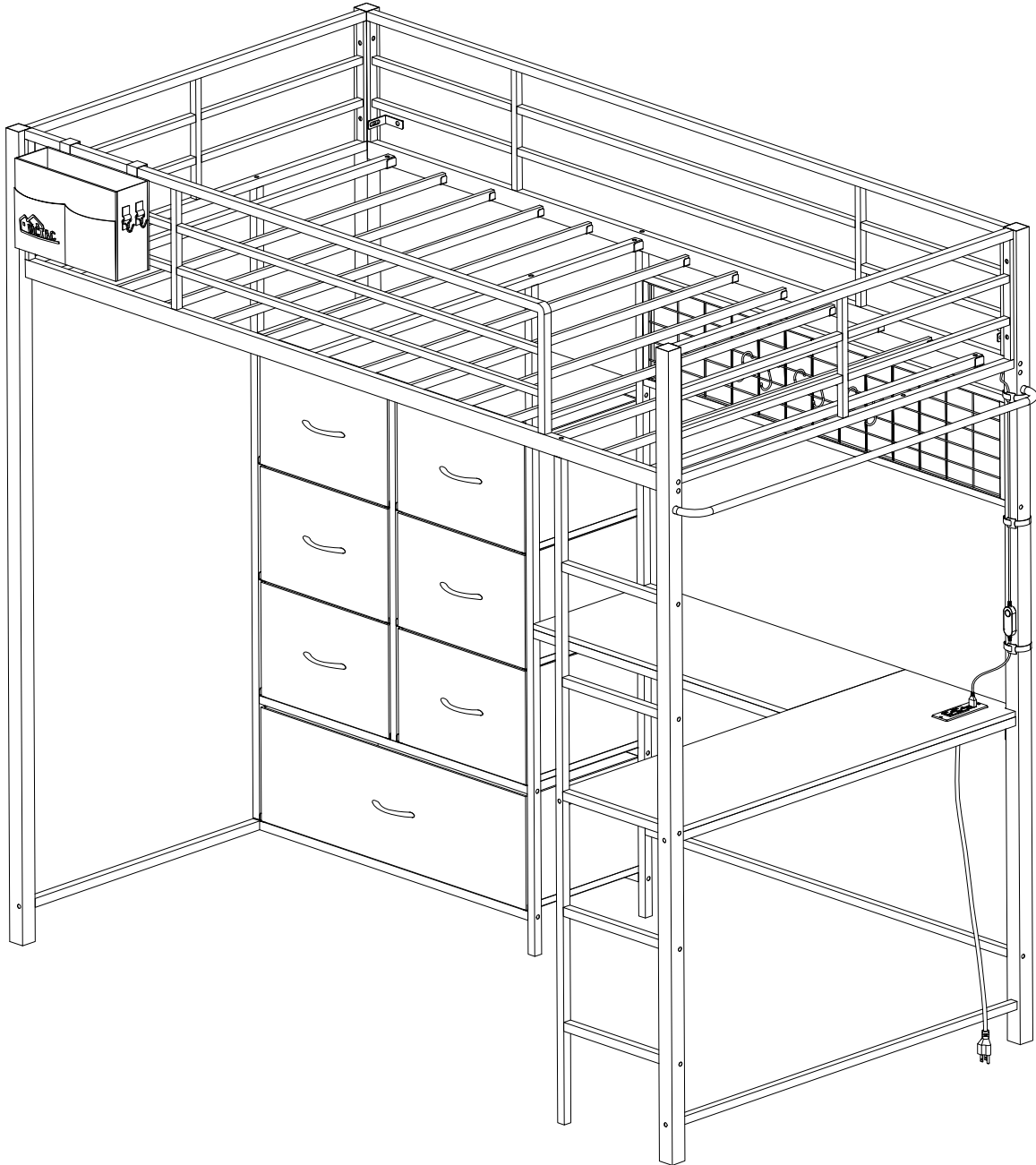


Loft Bed



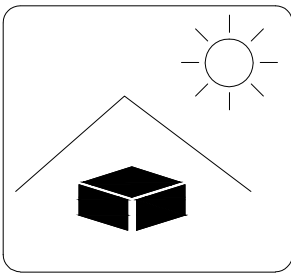
Package Contents

Plates and iron components

Assembly tool kit

Instruction manual

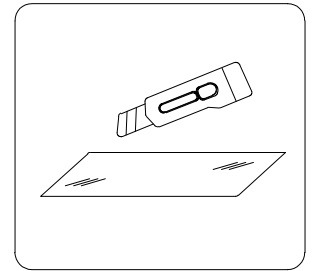
Precautions



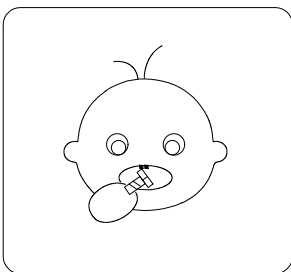
1. Avoid long-term direct sunlight exposure



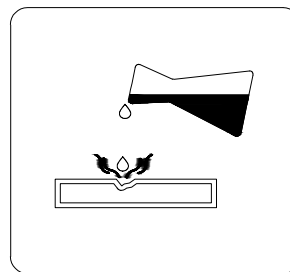
2. Stay away from fire



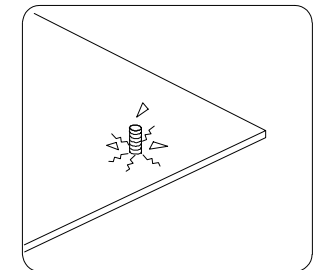
3. Keep away from sharp objects



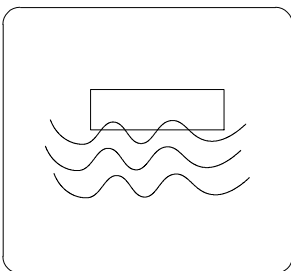
4. Keep infants/children away from assembly parts to avoid choking and suffocation.



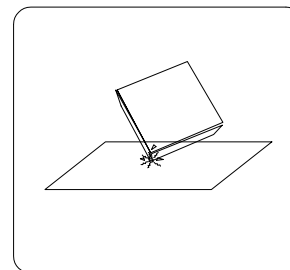
5. Keep away from corrosive substances



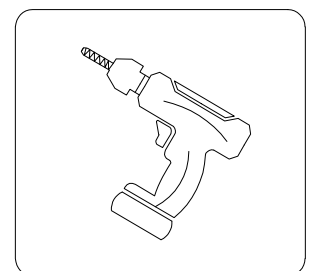
6. Please use the correct screws, otherwise the plate will be damaged.



7. Prevent objects from being damaged by immersion in water



8. Prevent object collision and damage



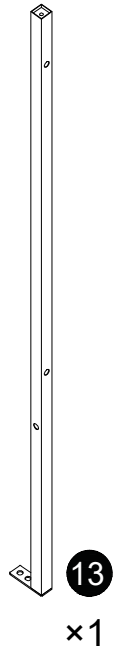
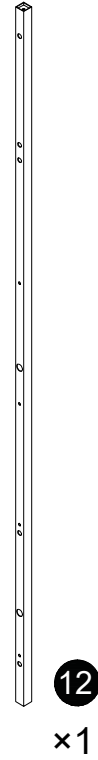
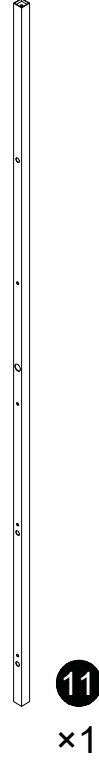
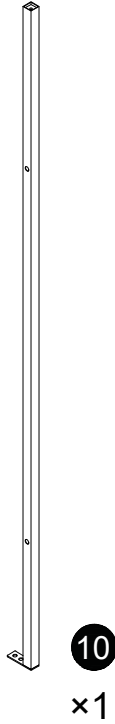
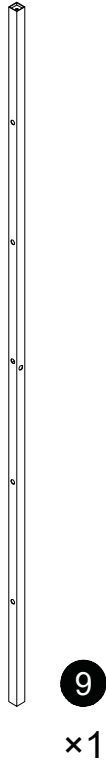
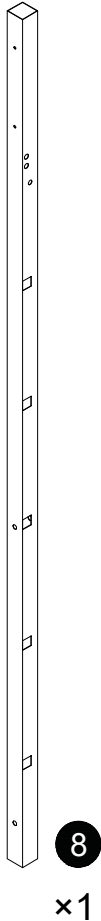
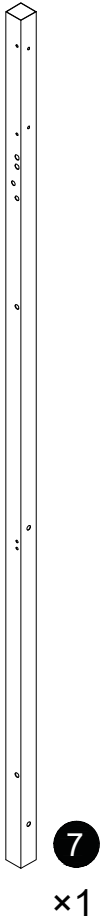
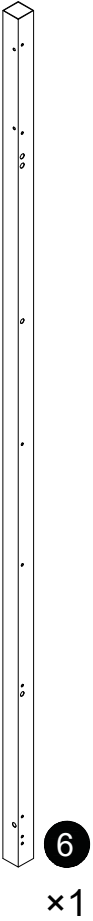
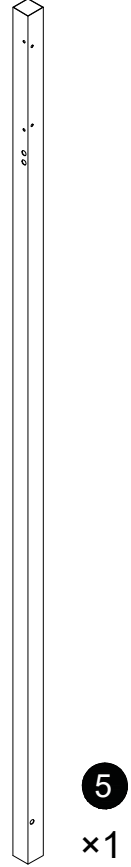
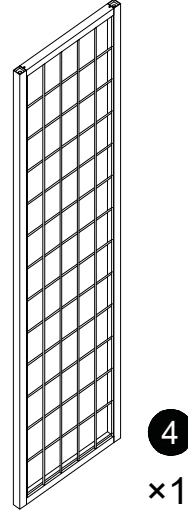
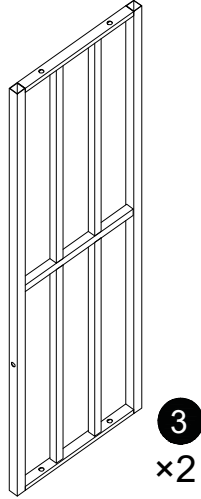
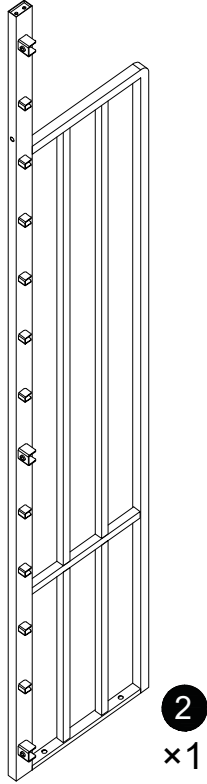
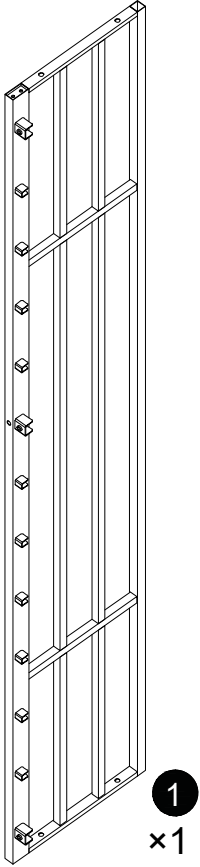
9. An electric drill is recommended for installation

Problems You May Encounter

PART	PROBLEM	SOLUTION
Whole Product	Parts are missing, defective or having wrong parts in package.	You can contact us and we will get back to you within 24 hours
	Having issue(s) while reading the instruction or completing the assembly.	Feel free to contact us and we will get back to you within 24 hours.
	Encountering non-human caused damage during usage.	If the product is damaged due to non-human causes, please keep the product and send us photos of it. We will ascertain the cause of the product damage within 48 hours and provide you with a satisfactory solution.
Table Surface	Board Surface is broken, scratched or lack of some screw holes.	Feel free to contact us and we will get back to you within 24 hours.
	The screw holes on the wooden board and other wooden boards are not aligned.	1.Please tighten the screws on the board by 70 %, do not tighten completely. 2. Adjust the wooden board and board. Until the holes are arranged neatly, then tighten all screws
	Desktop misalignment and unevenness	1.Please tighten the screws connecting the table board to the elevator by 70%, do not tighten them completely. 2.Adjust to a flat and aligned desktop, then tighten the screws. 3.If your problem still can't be solved, please feel free to contact us.
Metal accessories	Metal accessories are damaged, rusted, bent, and broken.	Feel free to contact us and we will get back to you within 24 hours.
	The table is unstable after being assembled.	1.Check if the screws are tightened. 2.Read throughout the manual, check if there are any parts installed incorrectly or some parts are missed to be installed. 3.If the problem still can't be solved, please feel free to contact us.
	Encountering non-human caused damage during usage.	If the product is damaged due to non-human causes, please keep the product and send us photos of it. We will ascertain the cause of the product damage within 48 hours and provide you with a satisfactory solution.

Install parts

PARTS LIST A



Install parts

PARTS LIST B



14
x1



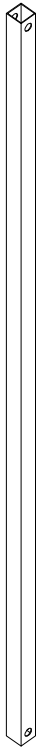
15
x1



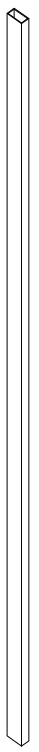
16
x1



17
x1



18
x2



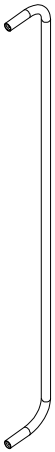
19
x10



20
x1



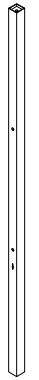
21
x1



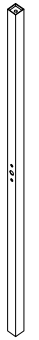
22
x1



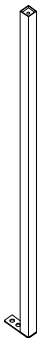
23
x2



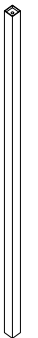
24
x2



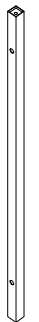
25
x2



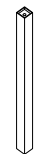
26
x1



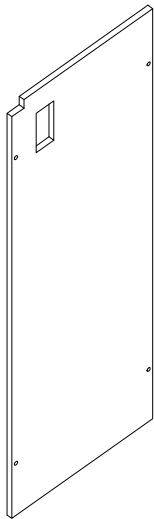
27
x1



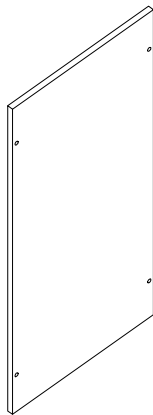
28
x1



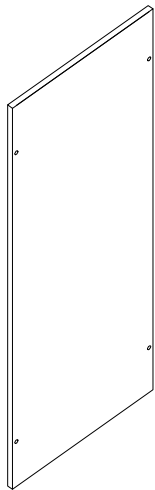
29
x5



30
x1

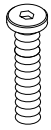


31
x1

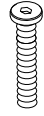


32
x1

HARDWARE LIST A



A
M8*55
x8



B
M6*60
x13+1



C
M6*40
x24+2



D
M6*28
x12+1



E
M6*25
x6



F
M6*20
21+2



G
M6*35
x4



H
M6*10
x34+3



I
3.0*12
x2



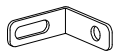
J
4.0*12
x14+1



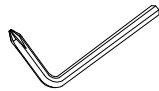
K
Ø18*8
x24+2



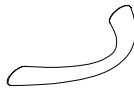
L
M8*60
x2



M
x2



N
M4
x1



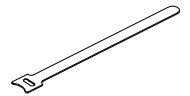
P
x7



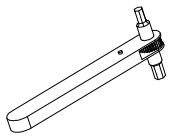
Q
x1



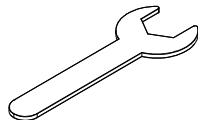
R
x6



S
x3

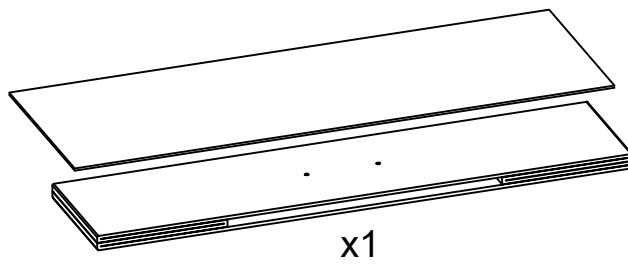
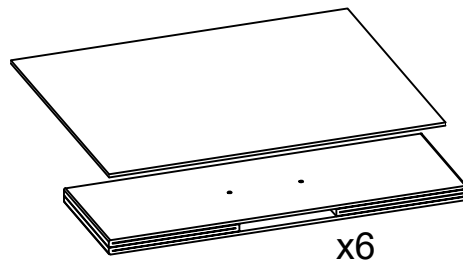
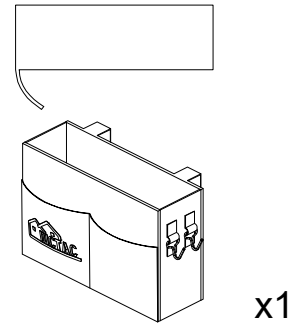
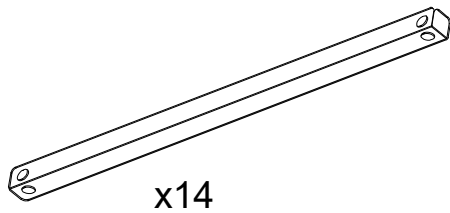


H1
M6-M8
x1

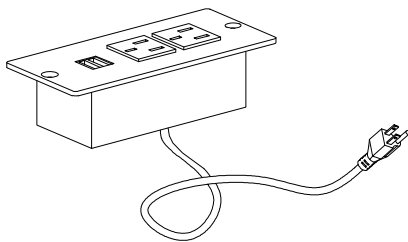


Z4
x1

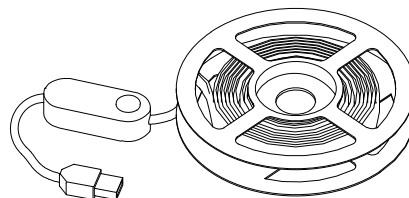
HARDWARE LIST B



Additional instructions of LED light bar



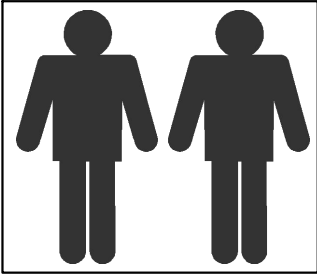
Row insertion



Light strip

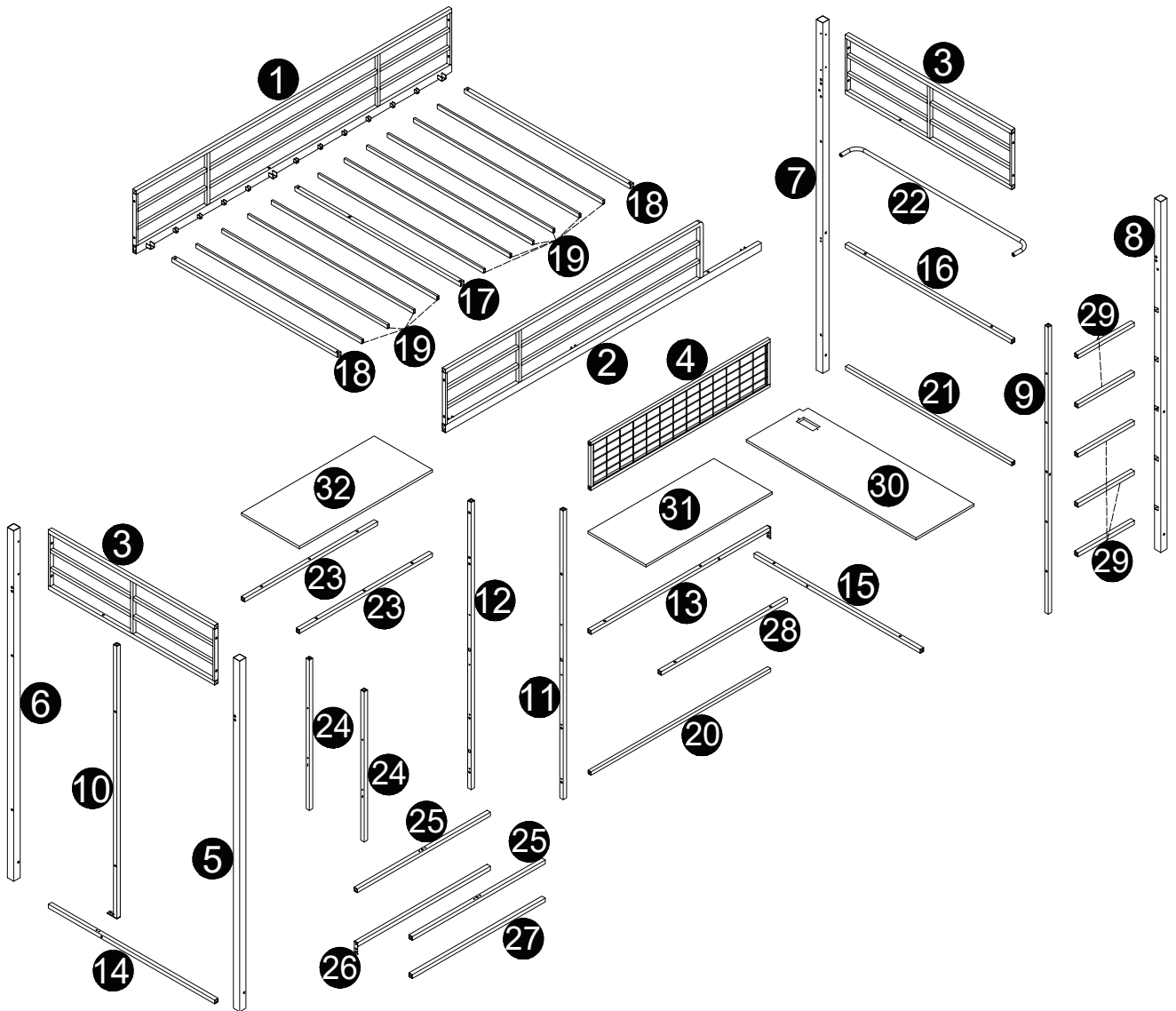
Note:

1. Should be assembled on flat ground to keep balance.
2. Before completing the installation, do not tighten the screws.



**Before starting the assembly,
you must read the whole manual
and follow the instructions**

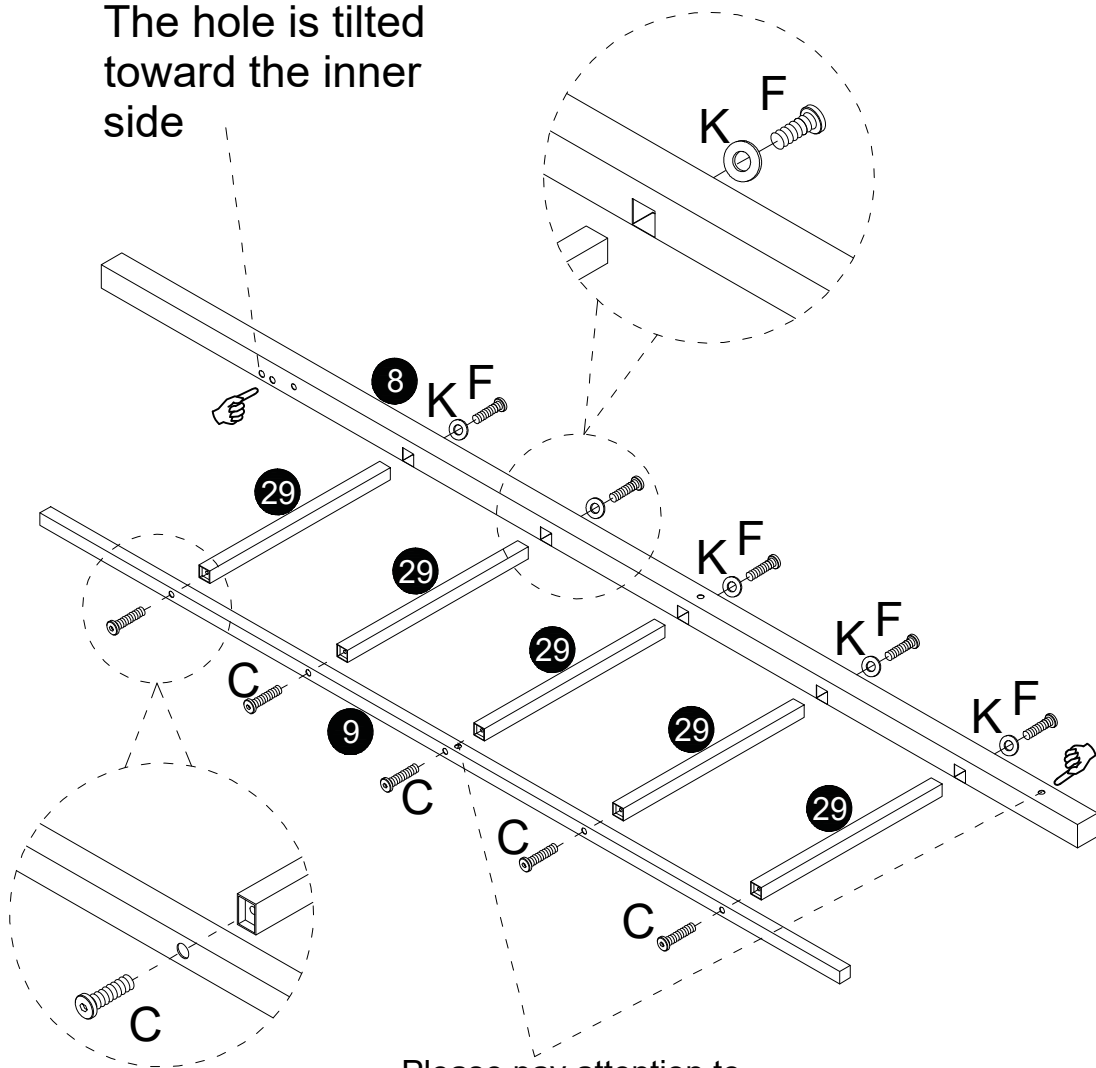
**It needs at least
two people to install.**






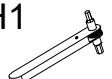


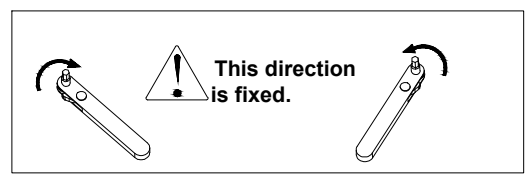
Be careful not to overtighten the screws.

The hole is tilted toward the inner side



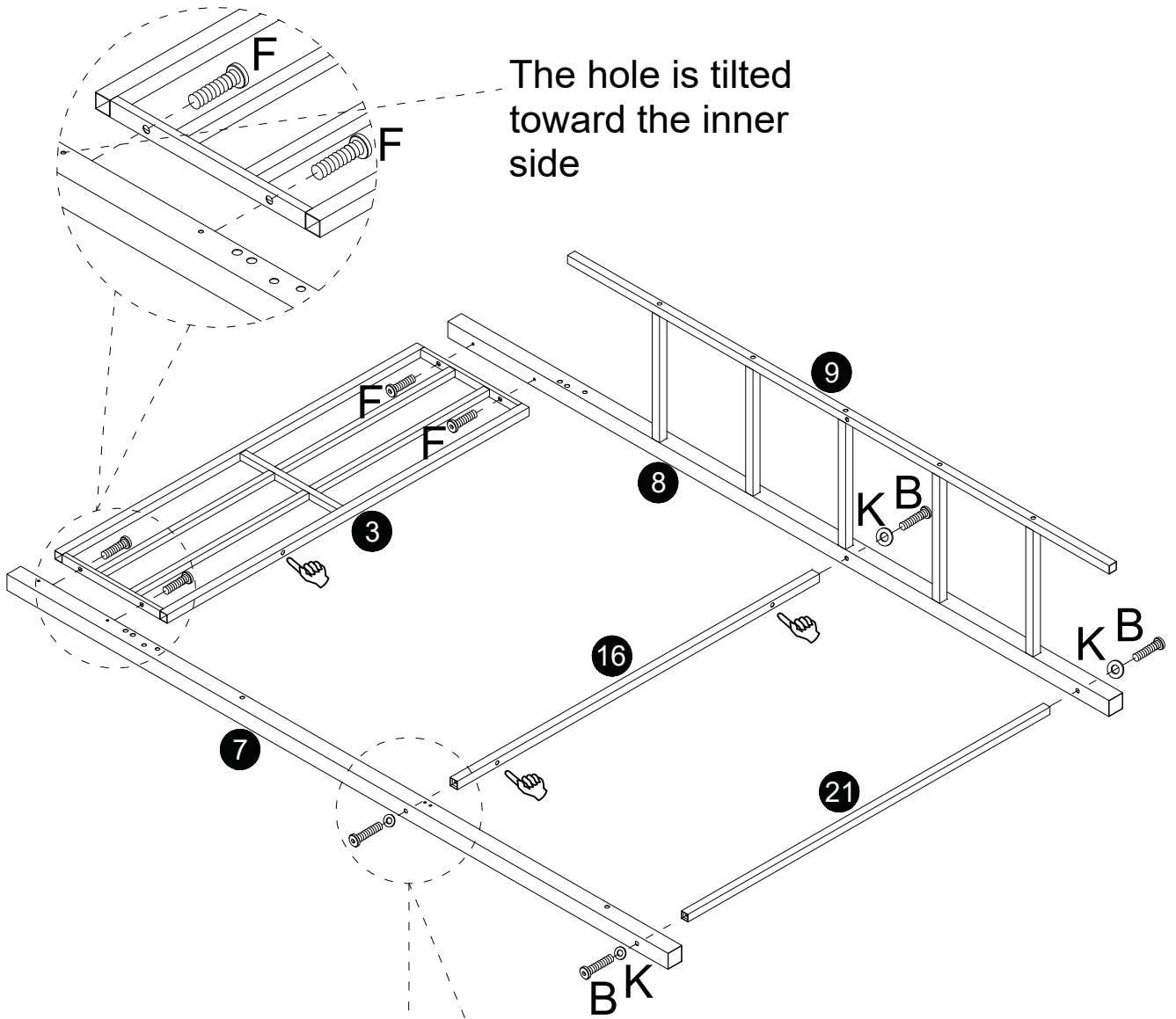
Please pay attention to the direction of the hole position.

C	M6*40
	x5
F	M6*20
	x5
K	Ø18*8
	x5
H1	
	x1

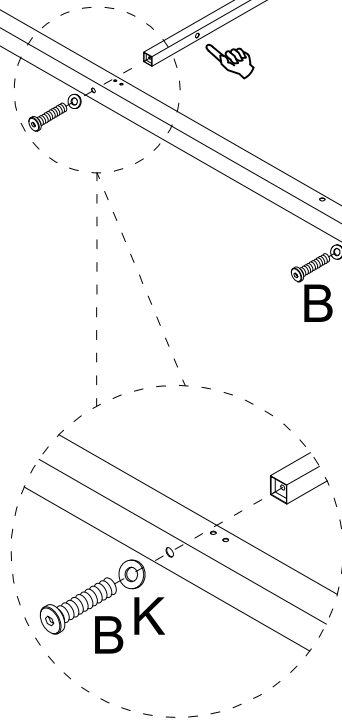
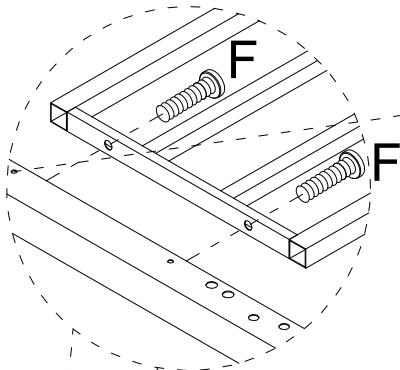


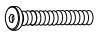
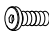

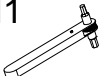


Be careful not to overtighten the screws.



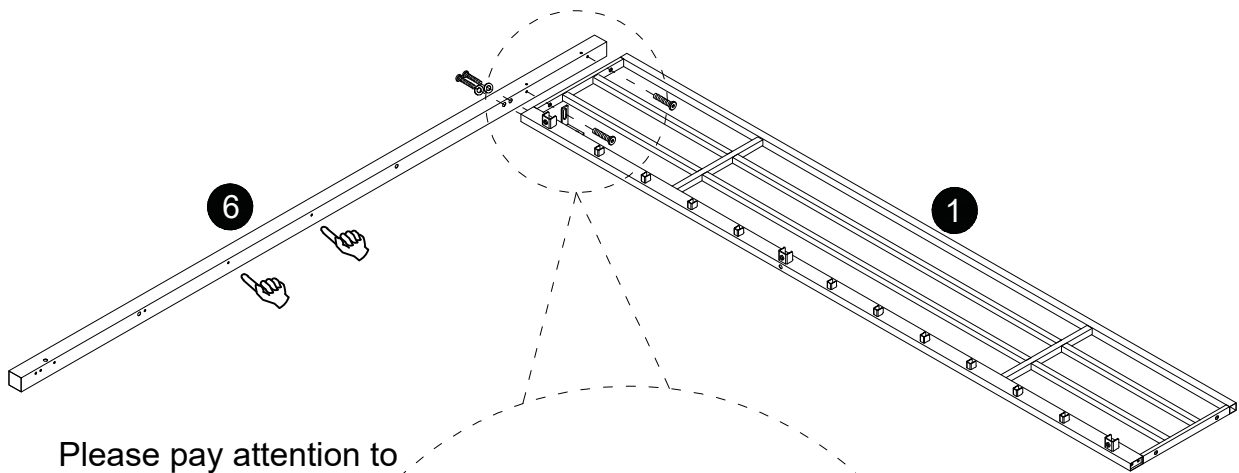
The hole is tilted toward the inner side



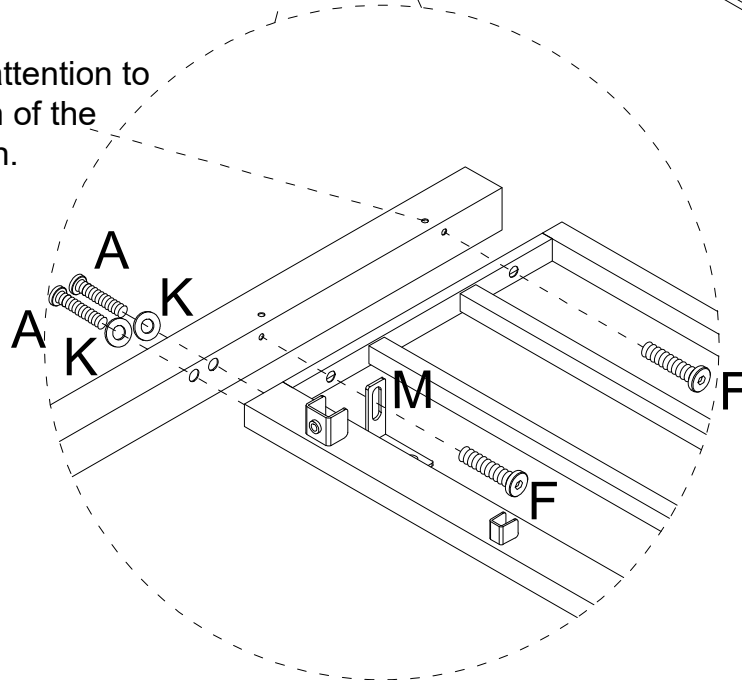
B	M6*60
	x4
F	M6*20
	x4
K	Ø18*8
	x4
H1	
	x1

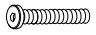
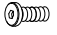

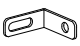
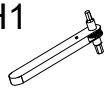


Be careful not to overtighten the screws.



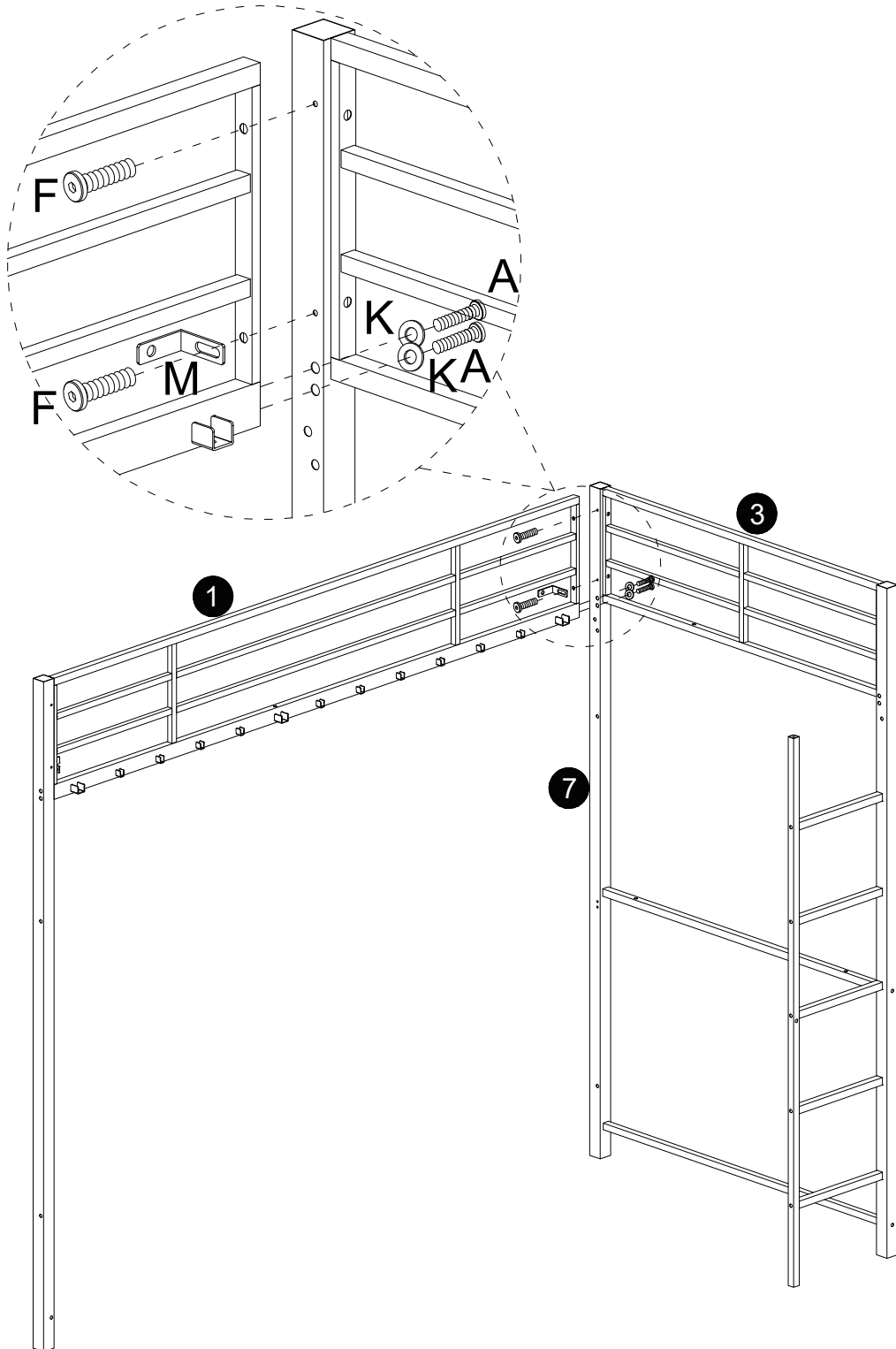
Please pay attention to the direction of the hole position.



A	M8*55
	x2
F	M6*20
	x2
K	Ø18*8
	x2
M	
	x1
H1	
	x1



Be careful not to overtighten the screws.



A M8*55



x2

F M6*20



x2

K Ø18*8



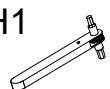
x2

M



x1

H1

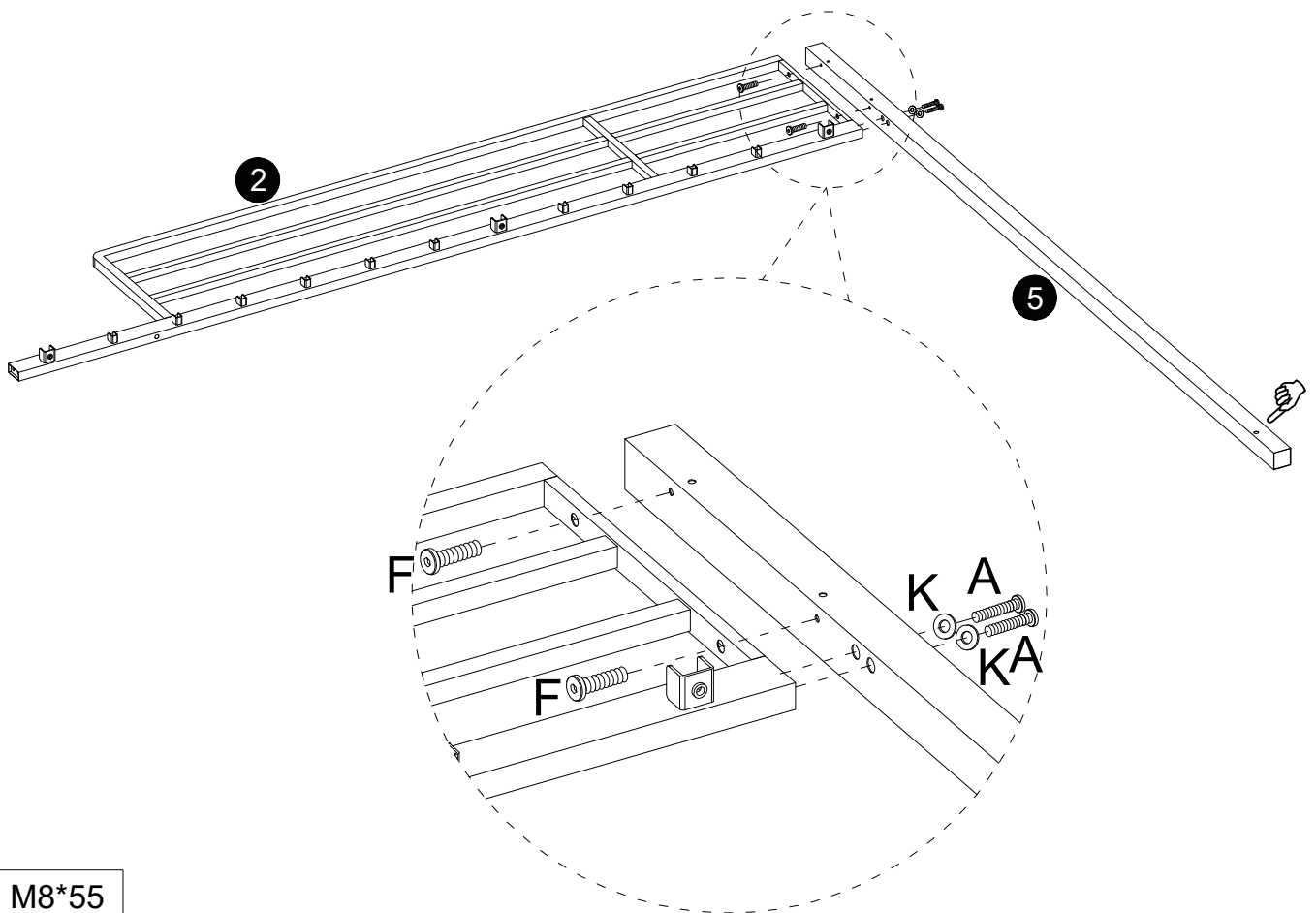


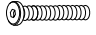
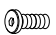

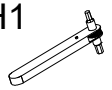
x1

5



Be careful not to overtighten the screws.

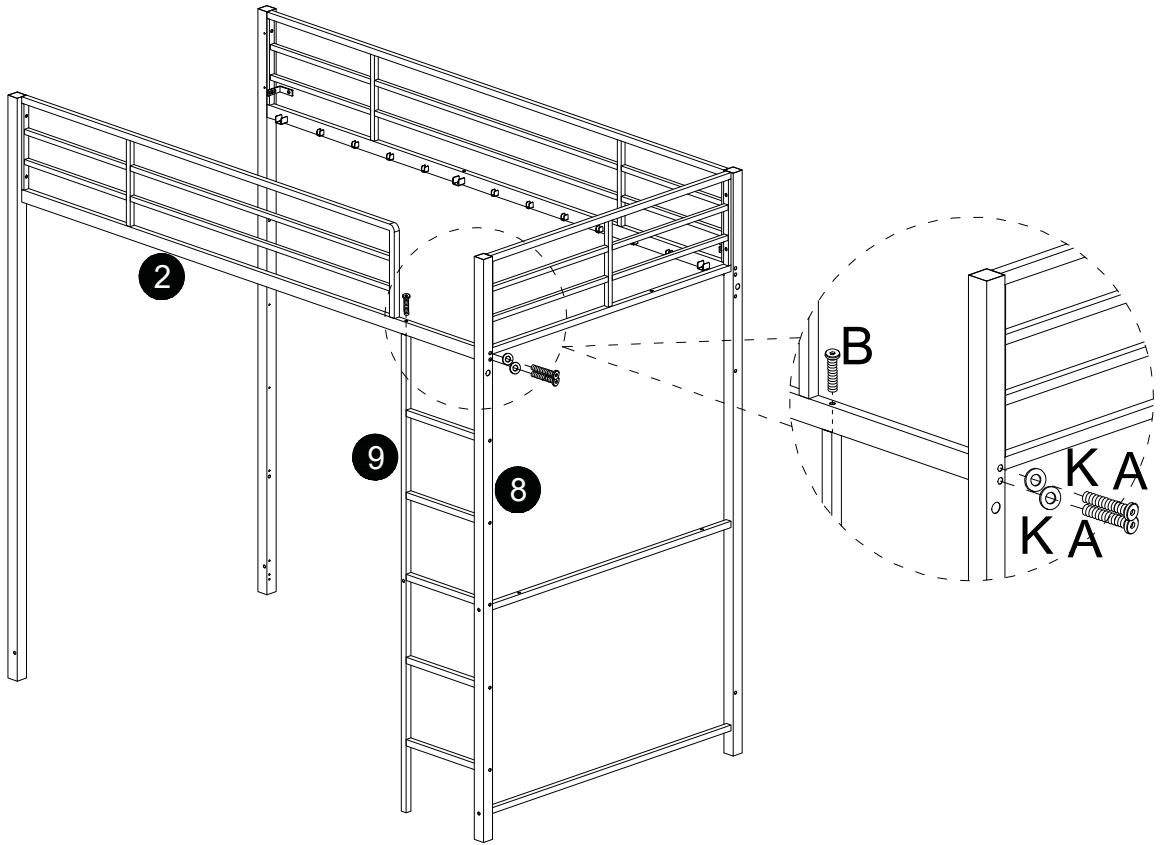


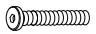
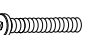

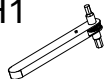
A	M8*55
	x2
F	M6*20
	x2
K	Ø18*8
	x2
H1	
	x1

6



Be careful not to overtighten the screws.

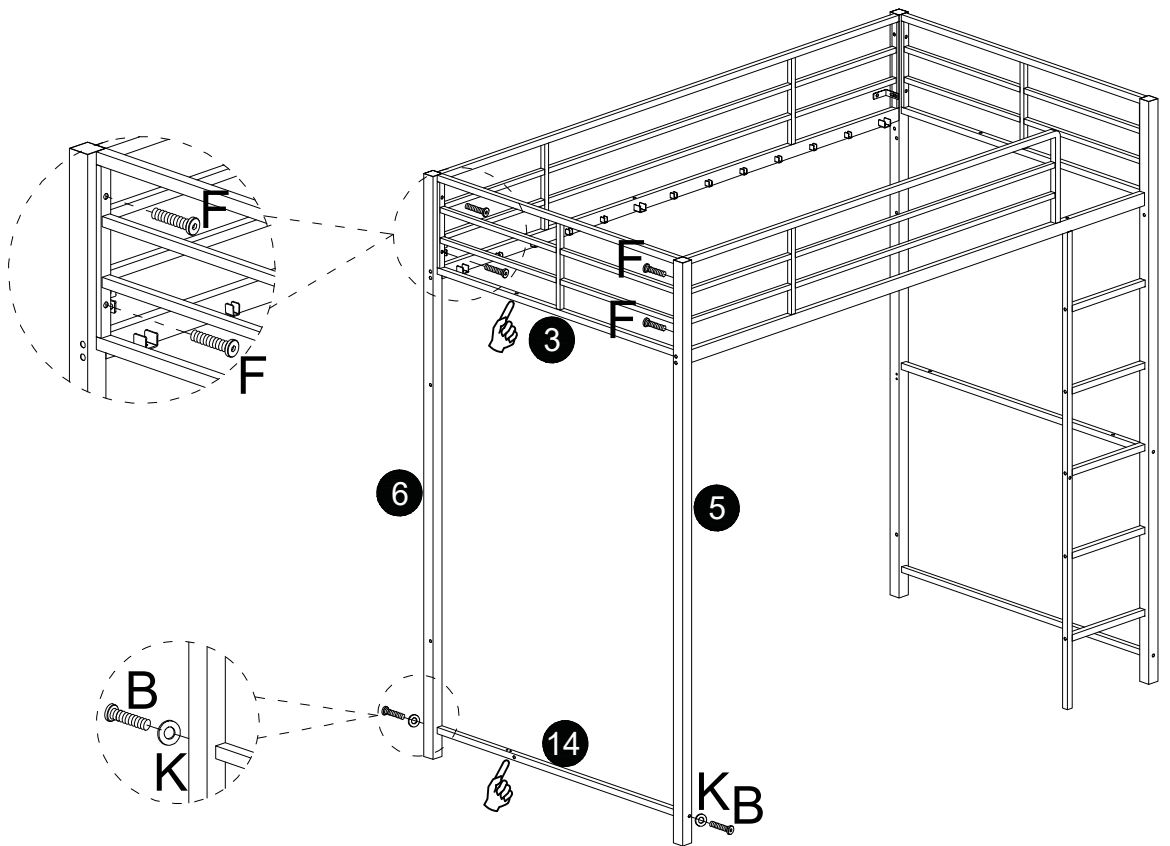


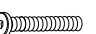



- A M8*55
 x2
- B M6*60
 x1
- K Ø18*8
 x2
- H1
 x1

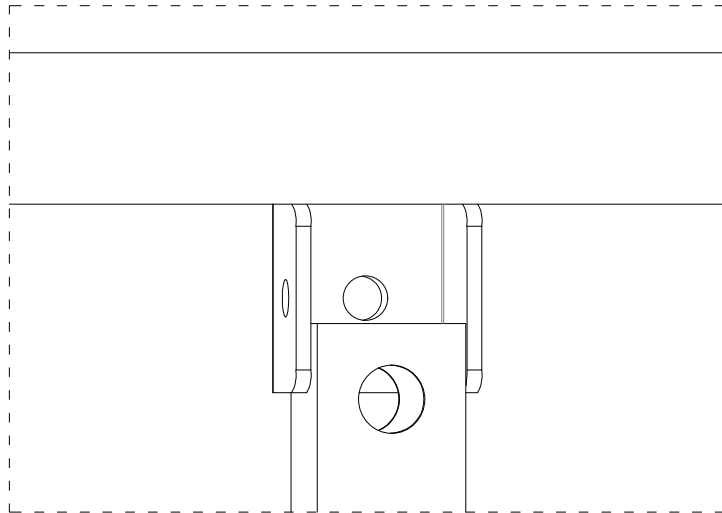
7



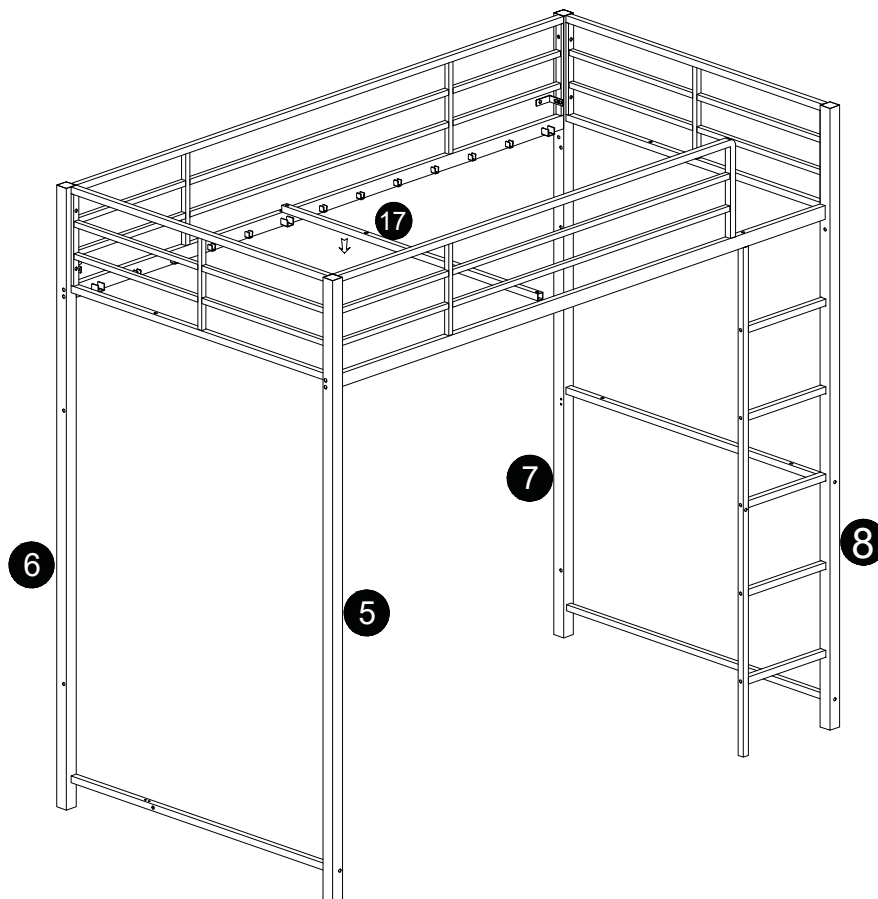
Be careful not to overtighten the screws.



- B M6*60
 x2
- F M6*20
 x4
- K Ø18*8
 x2
- H1
 x1

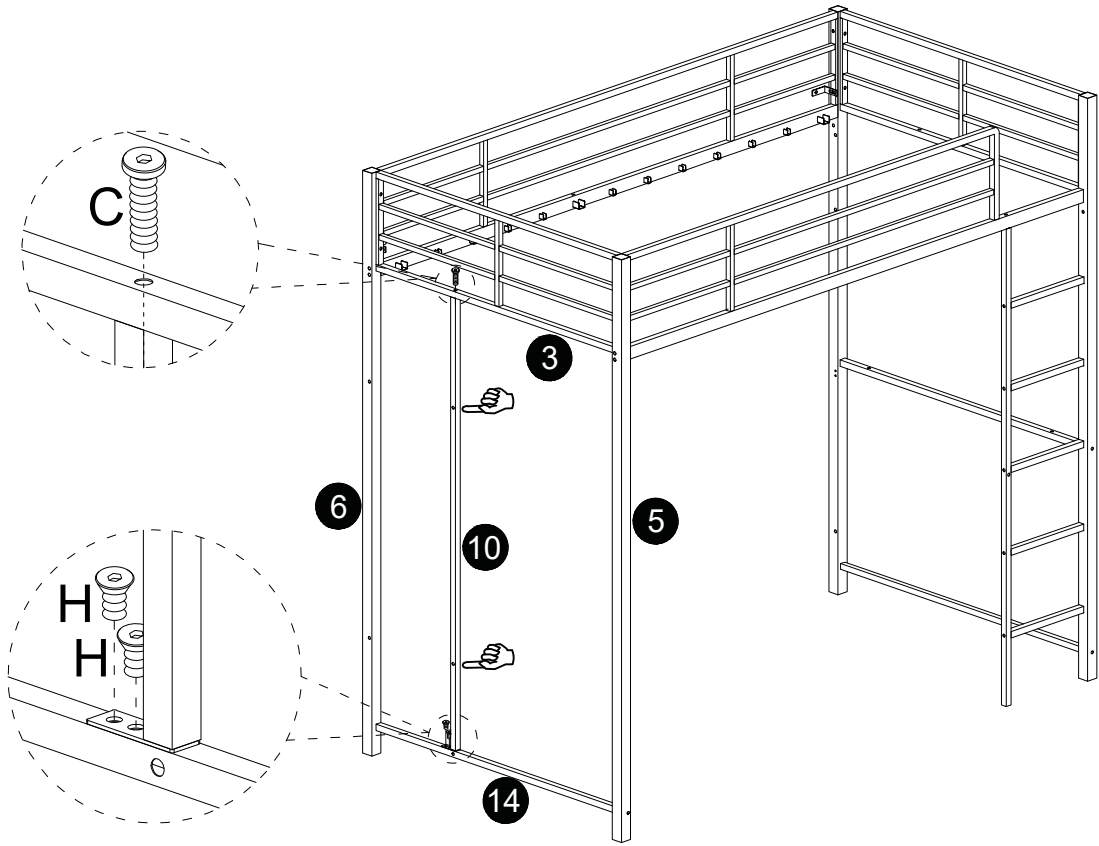


Error



Please first check whether the installation is correct: first try to lock the number 17 parts, if it is too short, please check the number 5,6,7,8 parts, some of which are installed incorrectly.

9



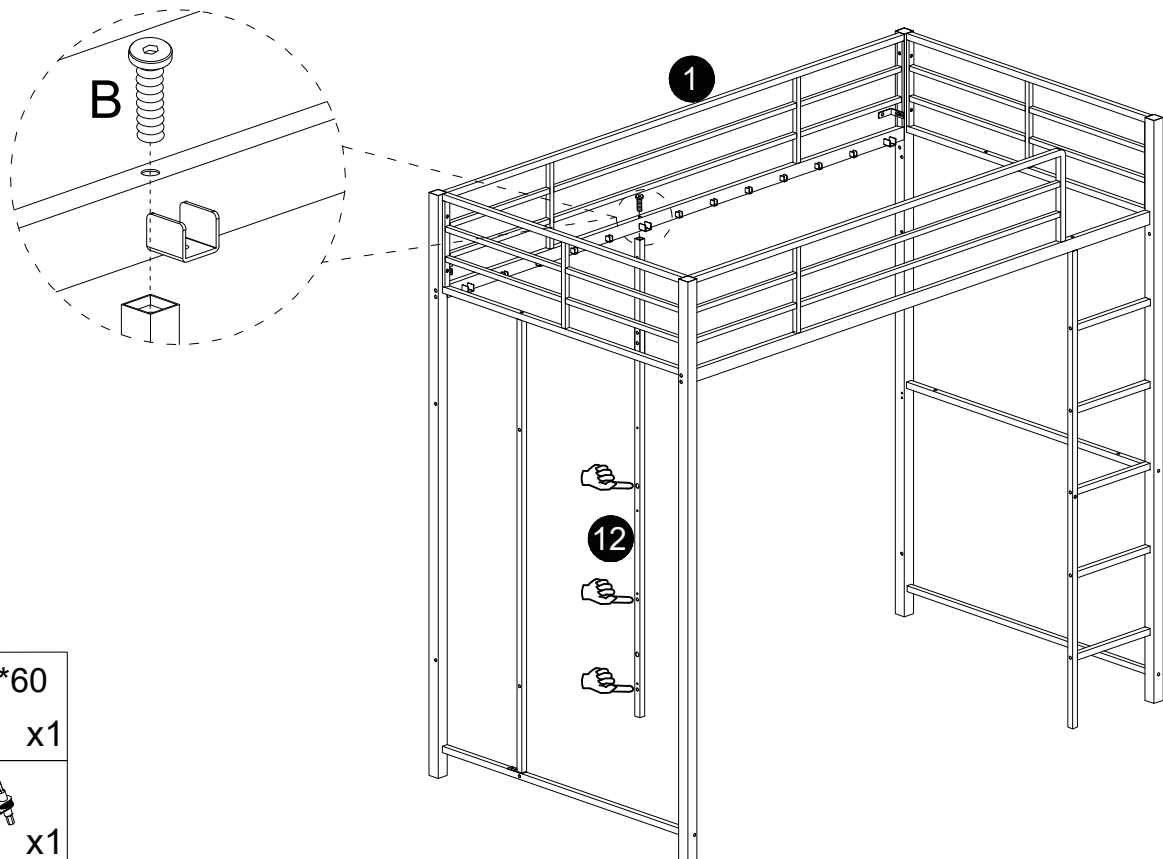
C M6*40



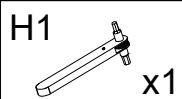
H M6*10



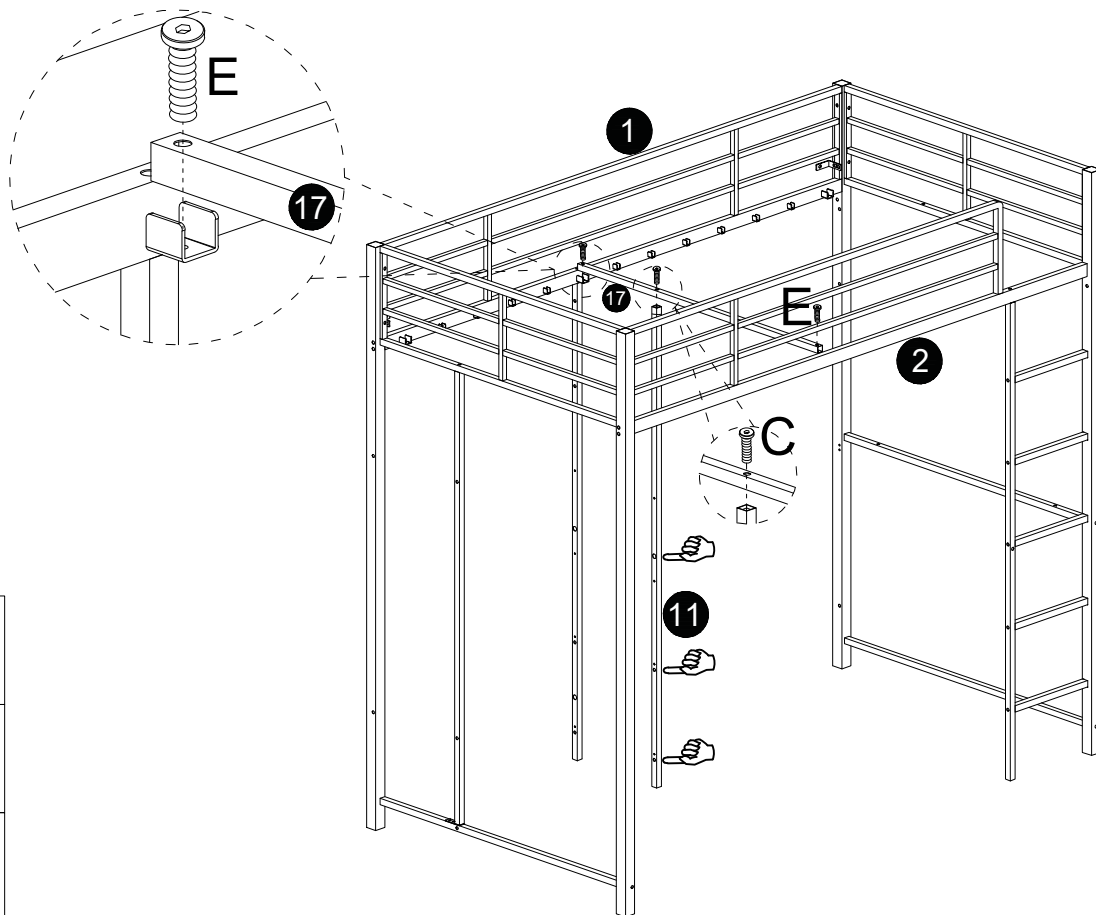
10



B M6*60



11



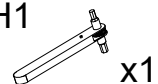
C M6*40



E M6*25



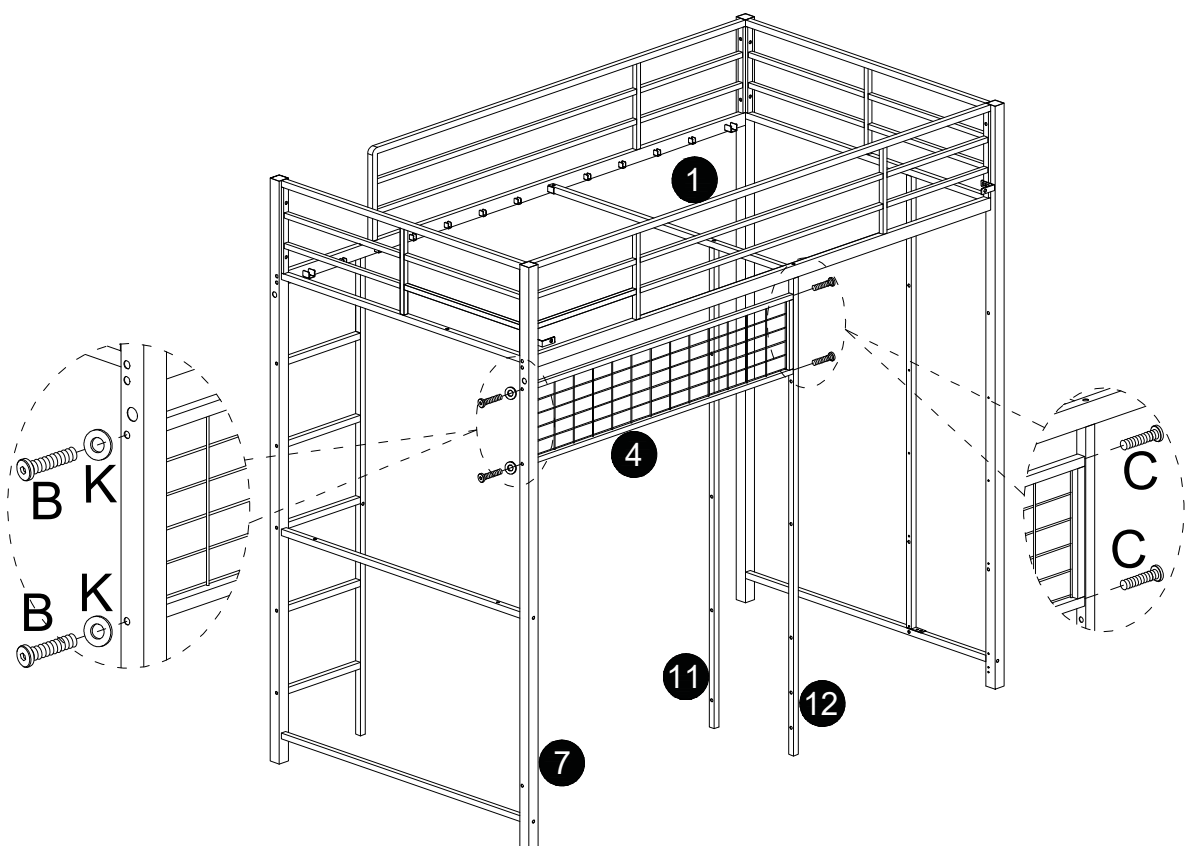
H1



12



Be careful not to overtighten the screws.



B M6*60



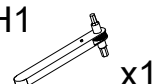
C M6*40



K Ø18*8



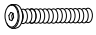
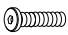

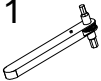
H1

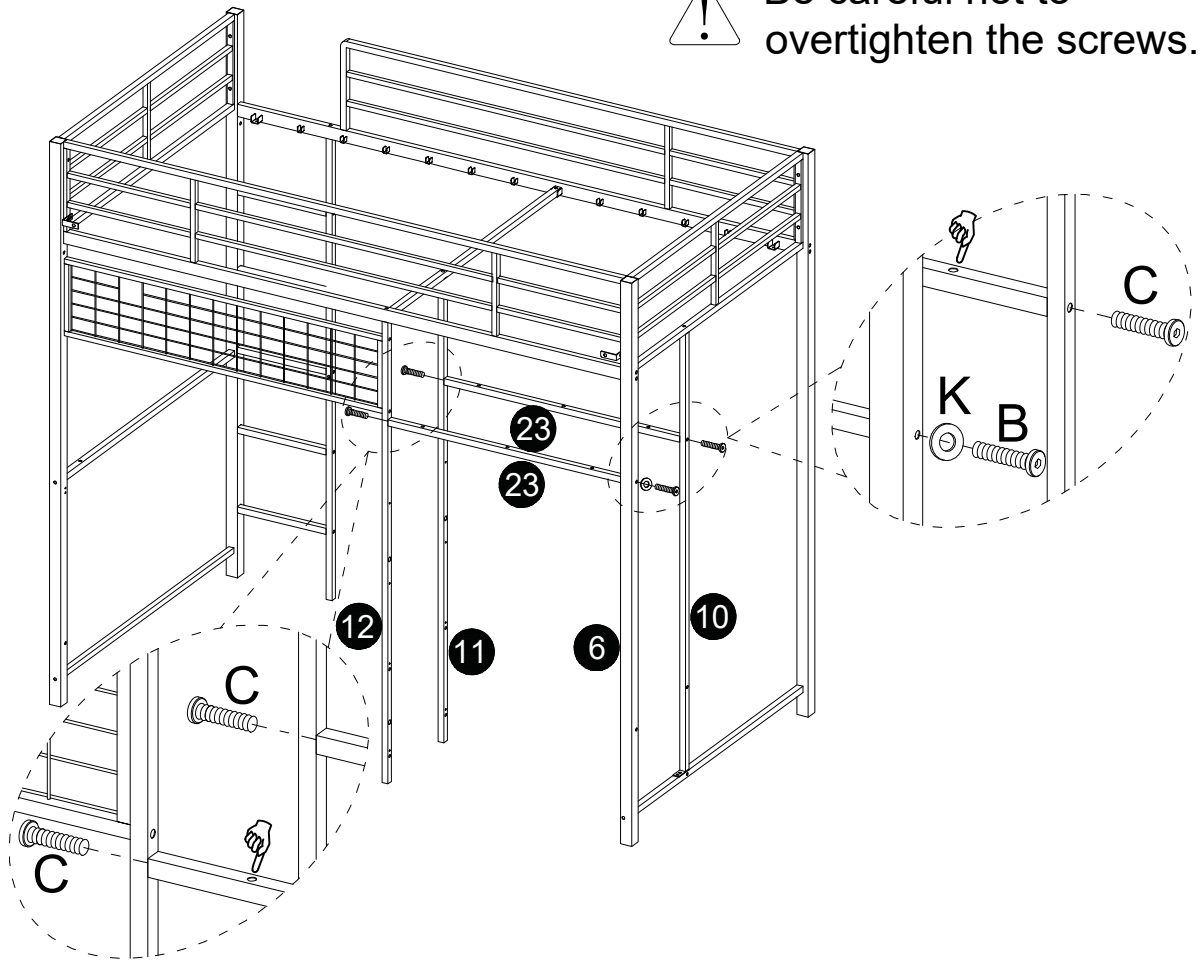


13



Be careful not to overtighten the screws.

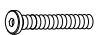
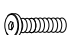

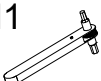
- B M6*60
 x1
- C M6*40
 x3
- K Ø18*8
 x1
- H1
 x1

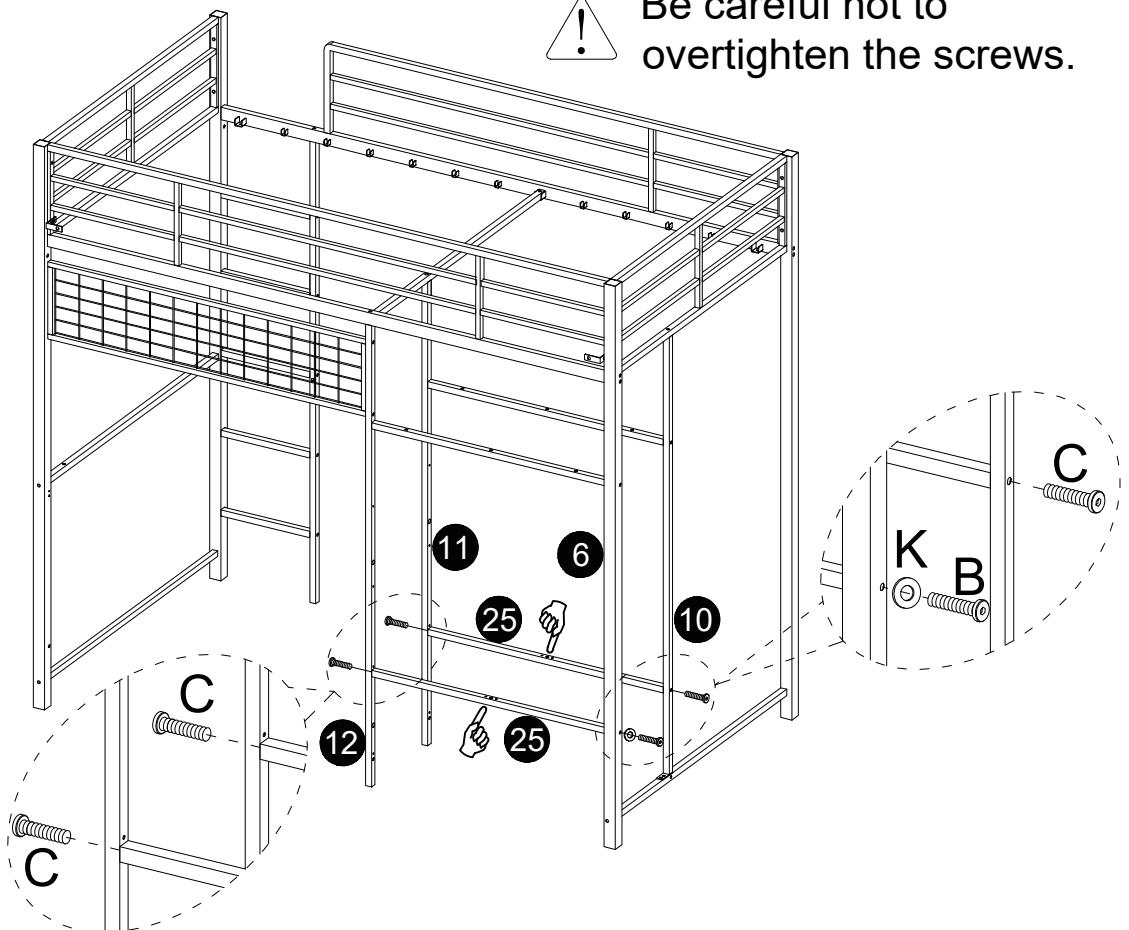


14

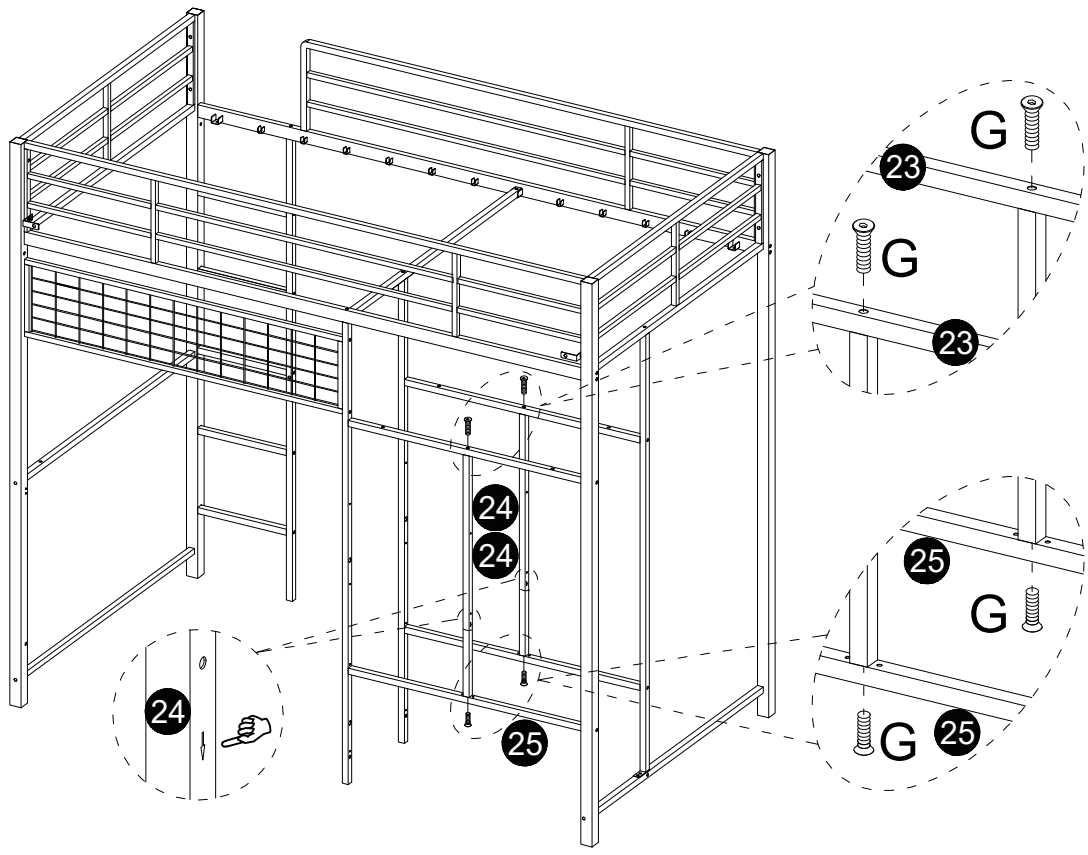



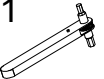
Be careful not to overtighten the screws.

- B M6*60
 x1
- C M6*40
 x3
- K Ø18*8
 x1
- H1
 x1




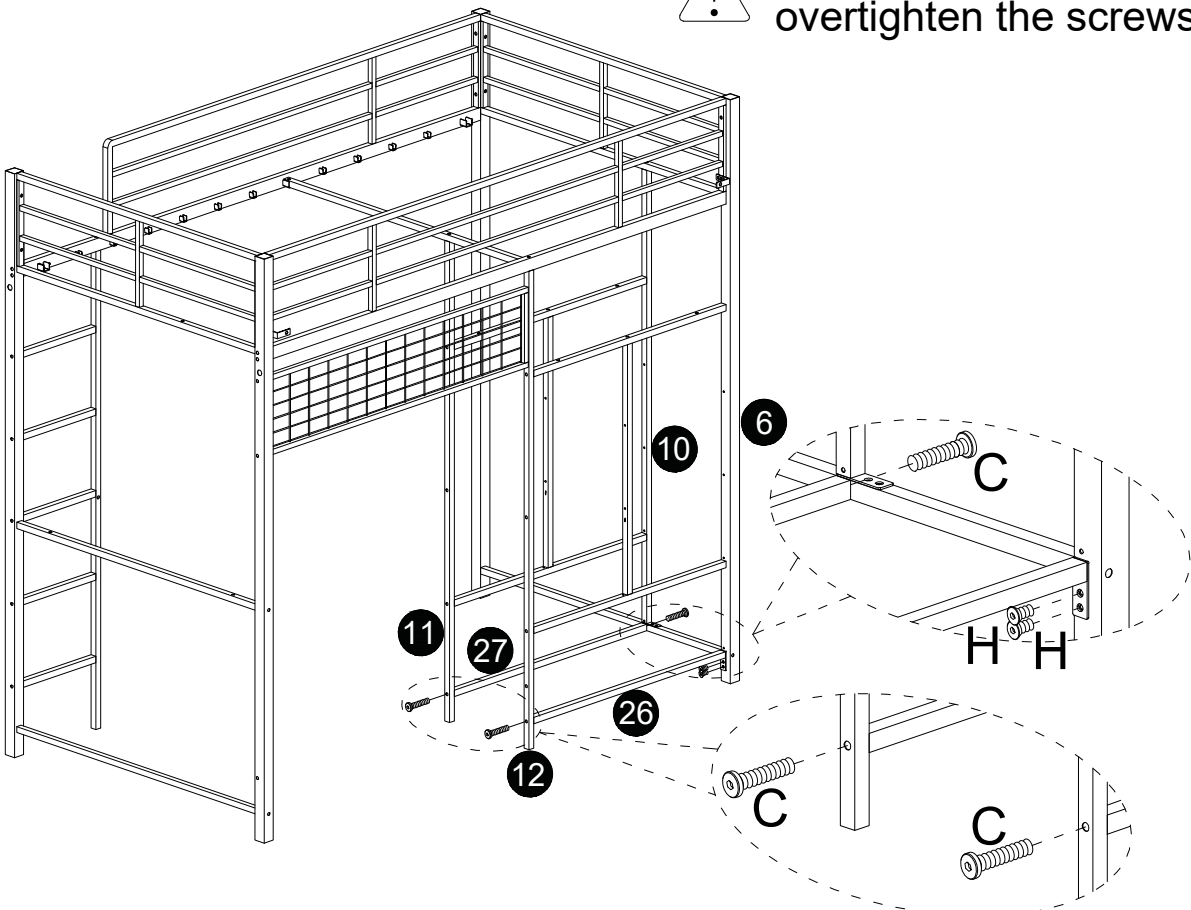
15



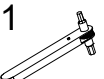


- G M6*35
 x4
- H1
 x1

16

 Be careful not to overtighten the screws.

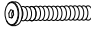
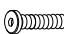
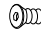


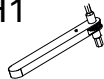


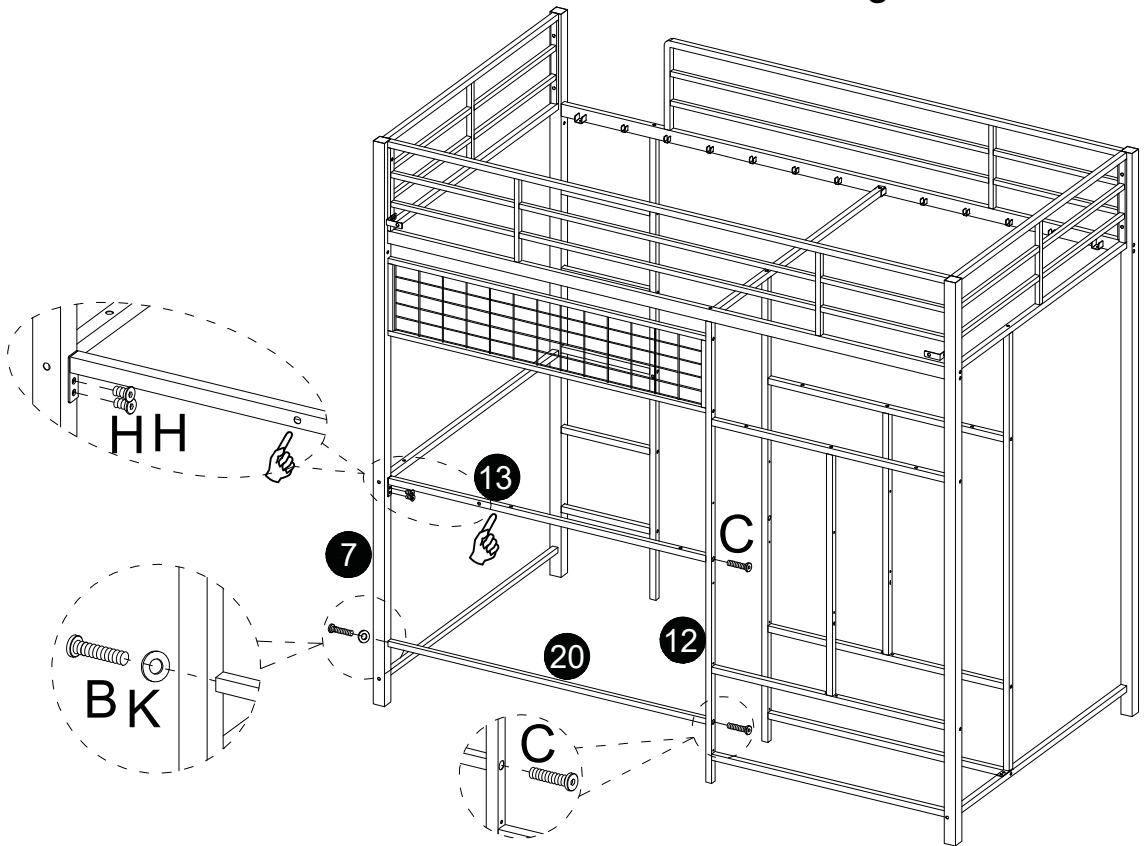
- C M6*40
 x3
- H M6*10
 x2
- H1
 x1

17

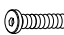

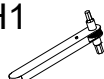


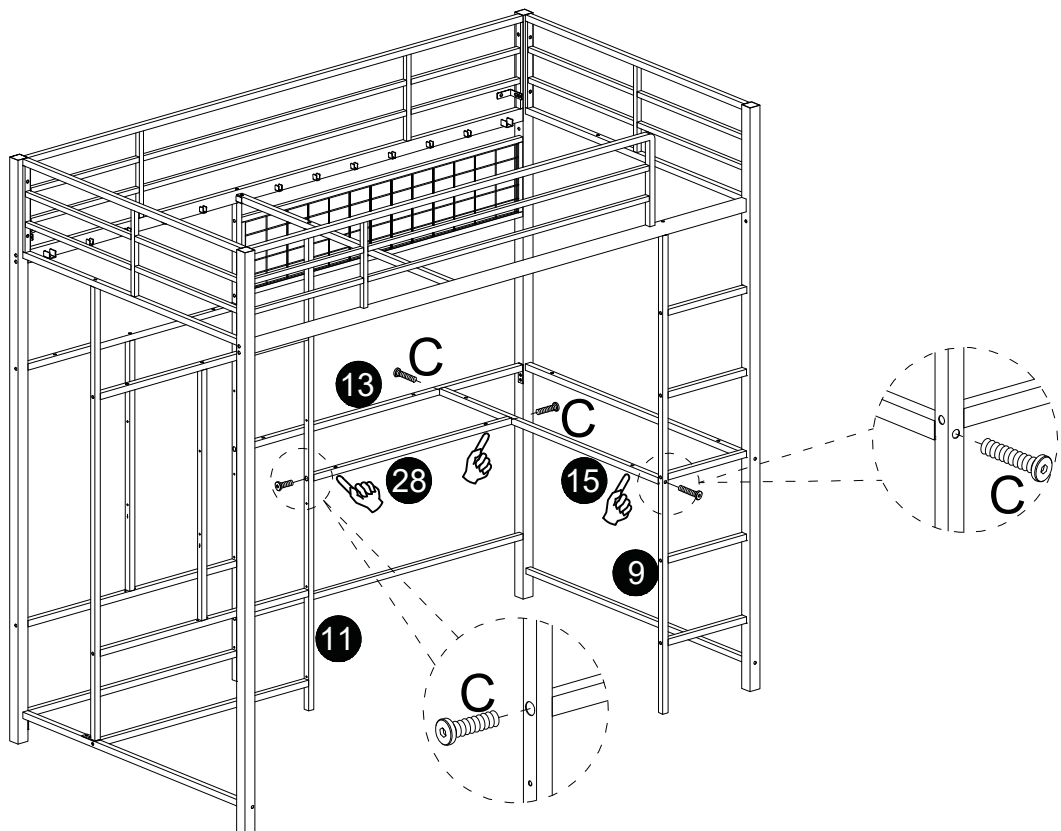
Be careful not to overtighten the screws.

B	M6*60		x1
C	M6*40		x2
H	M6*10		x2
K	Ø18*8		x1
N	M4		x1
H1			x1

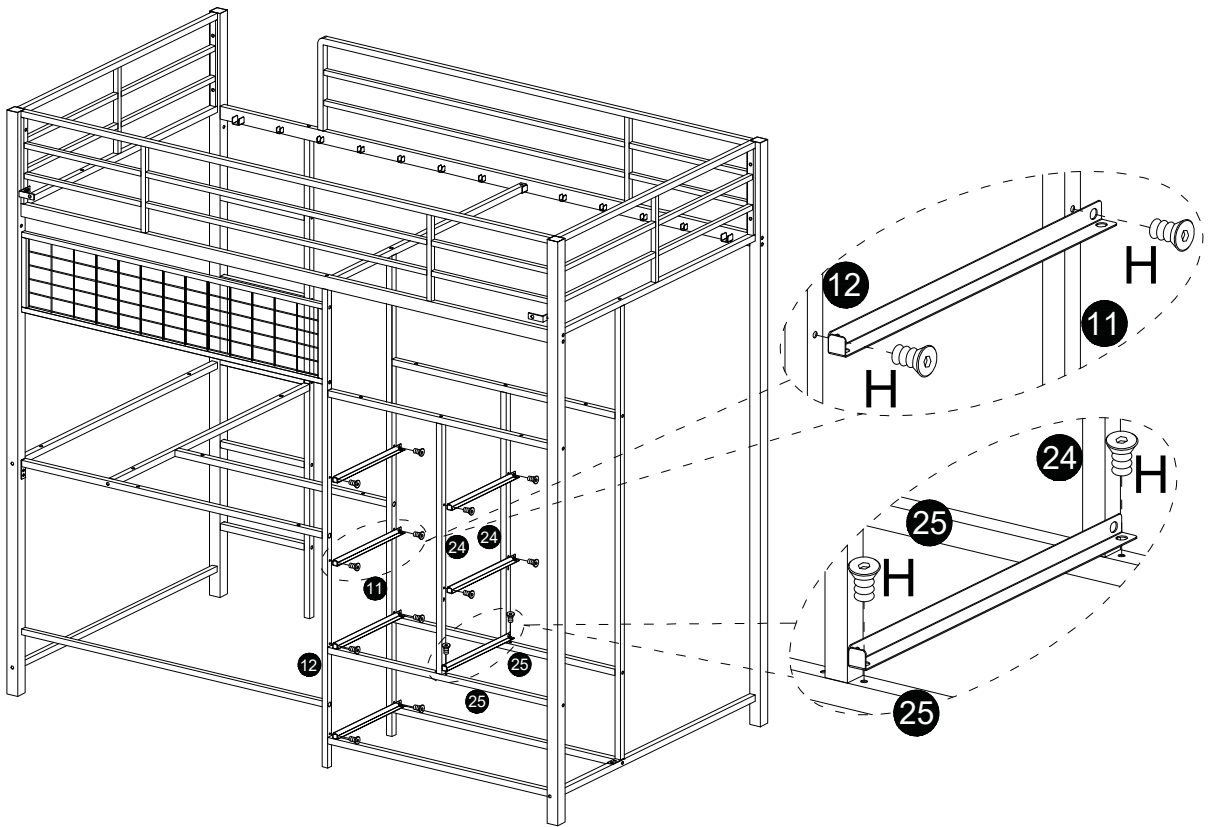



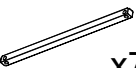
18

C	M6*40		x4
N	M4		x1
H1			x1

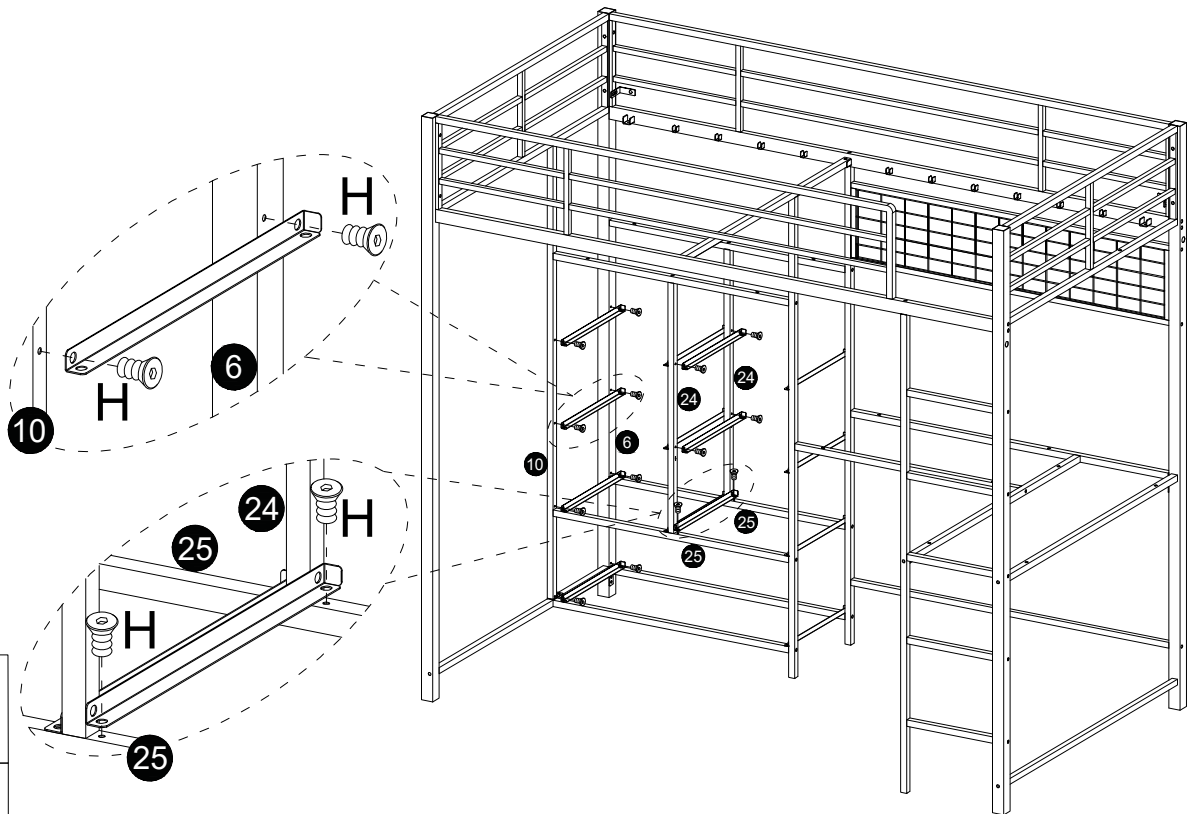



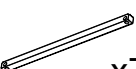
19



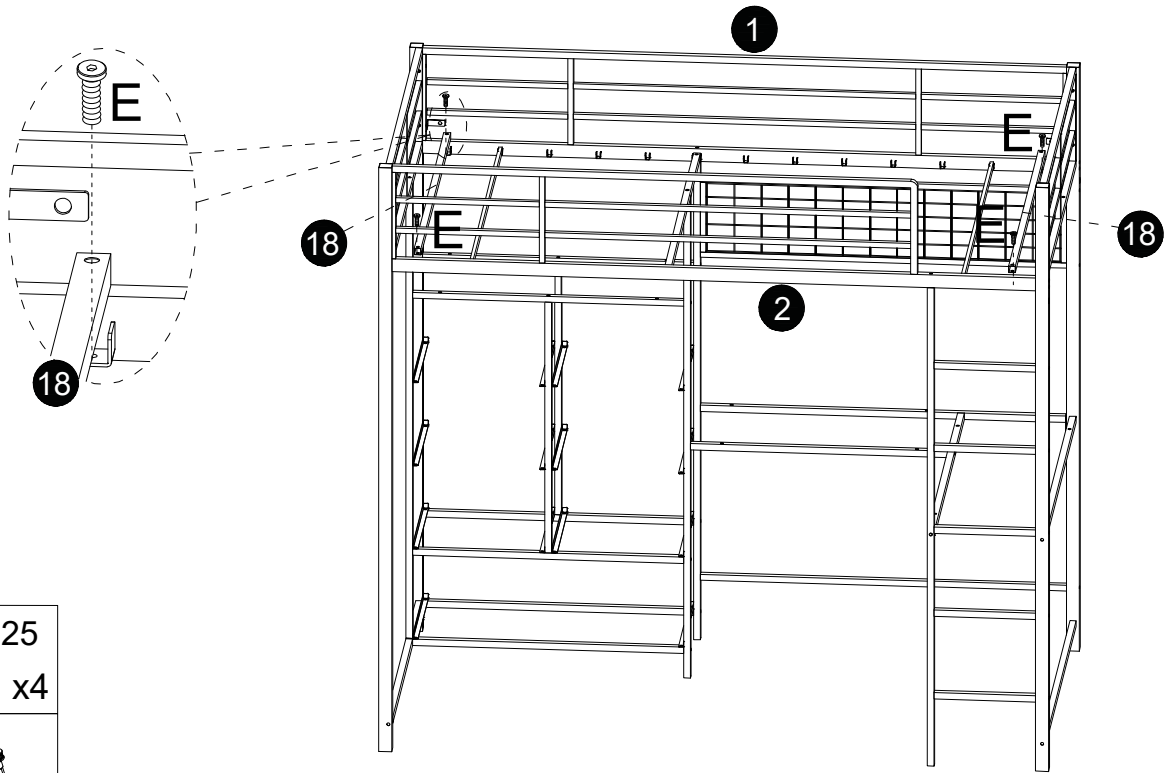
- H M6*10
-  x14
-  x7

20



- H M6*10
-  x14
-  x7

21

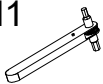


E M6*25



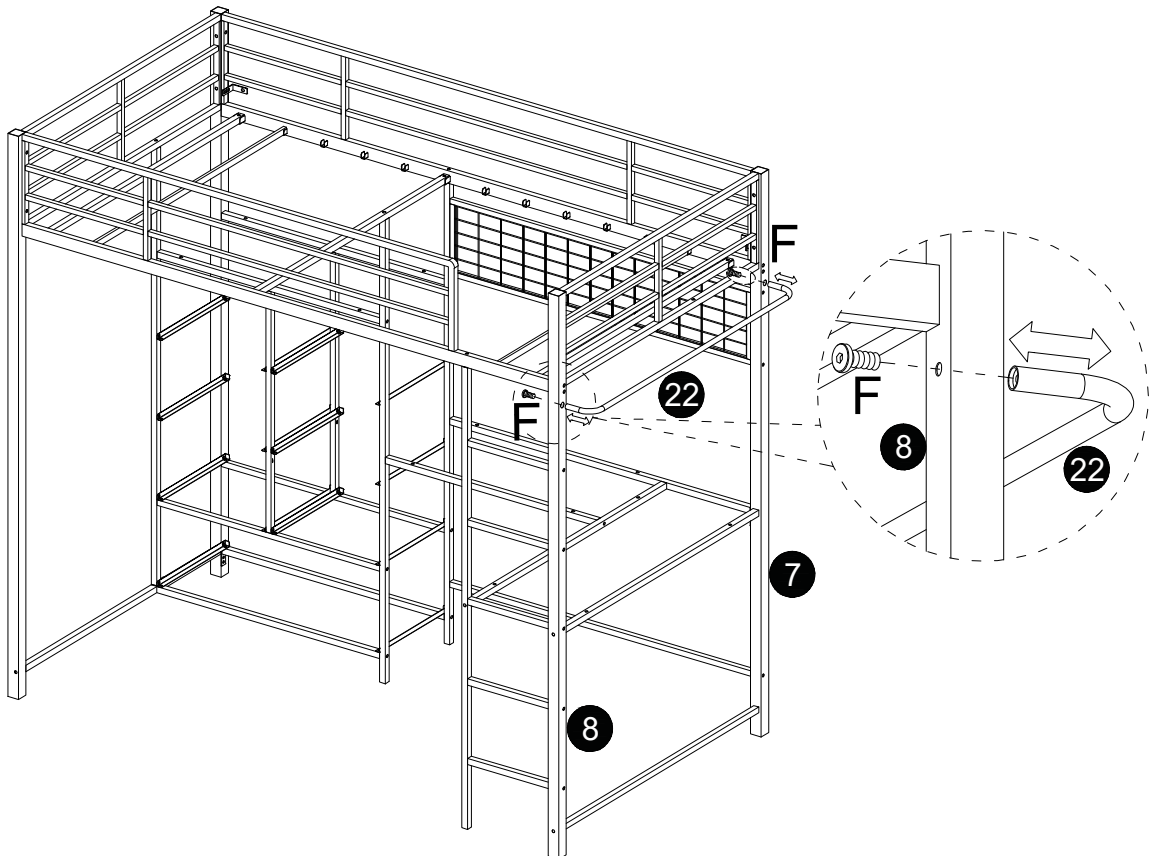
x4

H1



x1

22

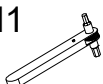


F M6*20

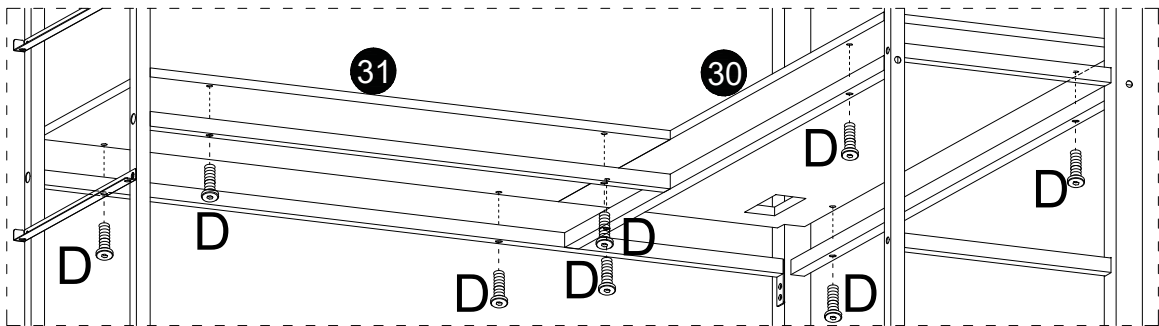
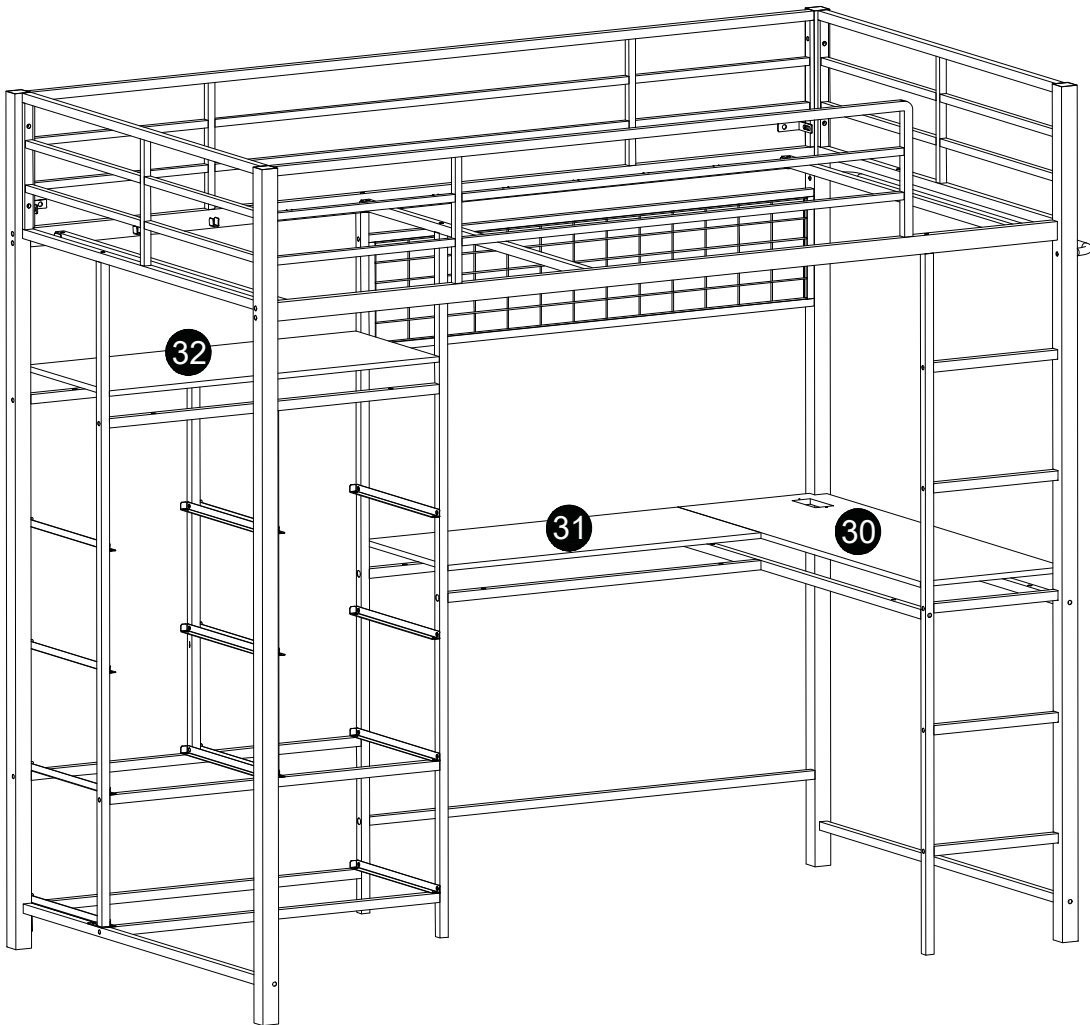
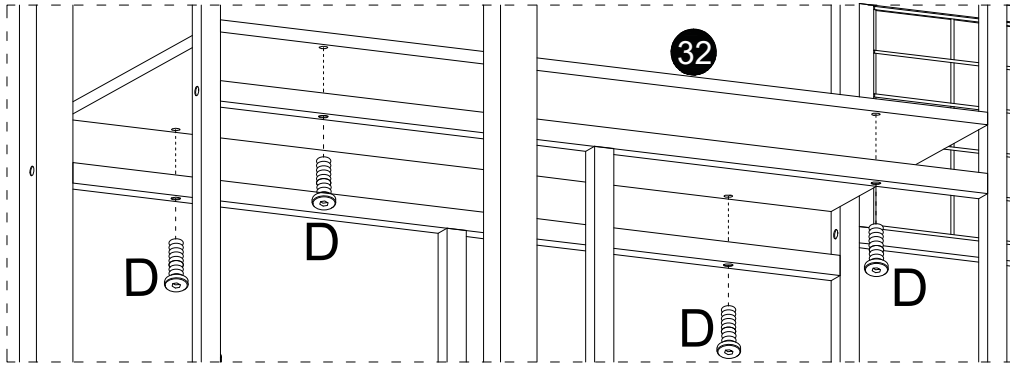


x2

H1

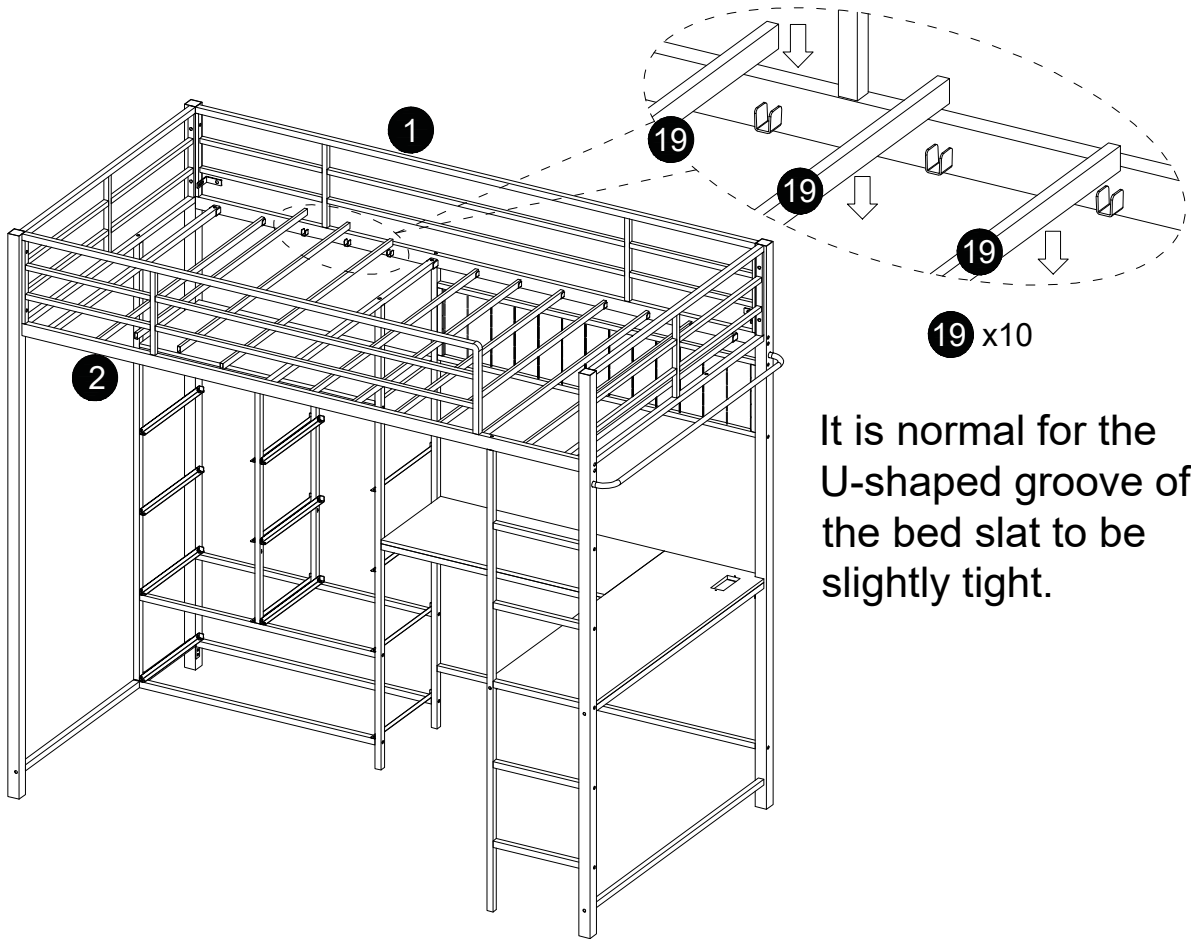


x1



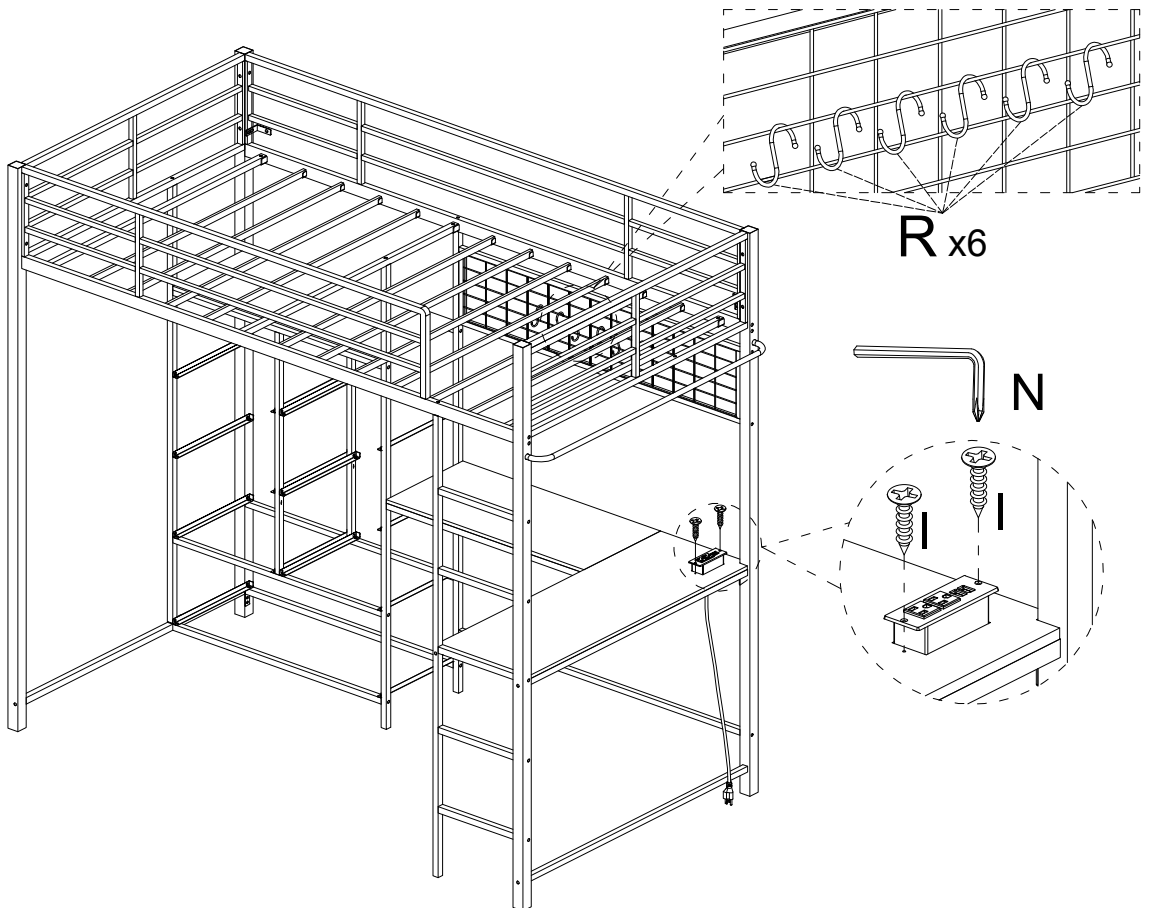
D M6*28
x12




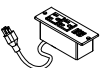
24

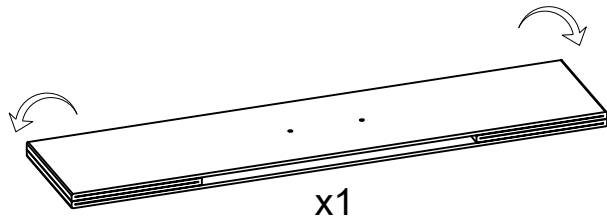


It is normal for the U-shaped groove of the bed slat to be slightly tight.

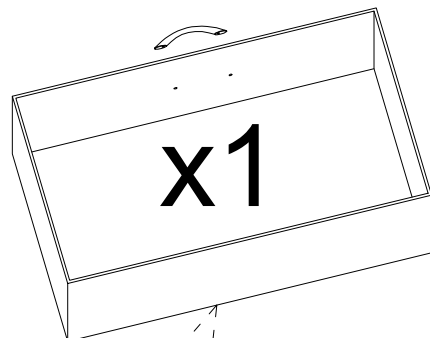
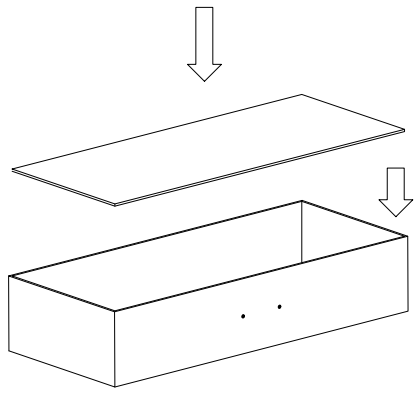
25



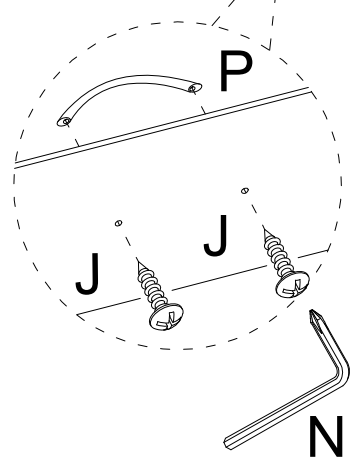
- I 3.0*12
 x2
- R  x6
- N M4
 x1
-  x1



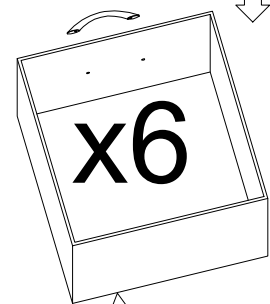
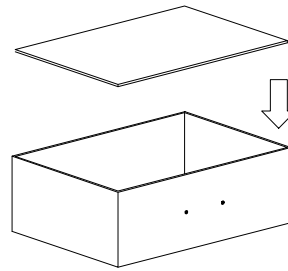
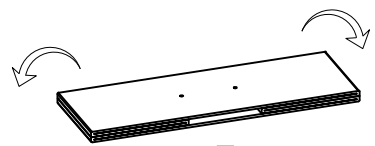
x1



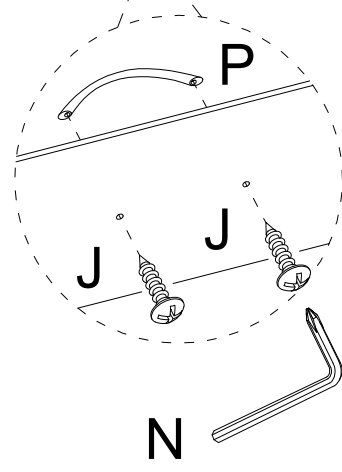
x1








N

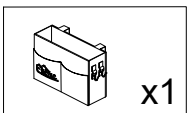
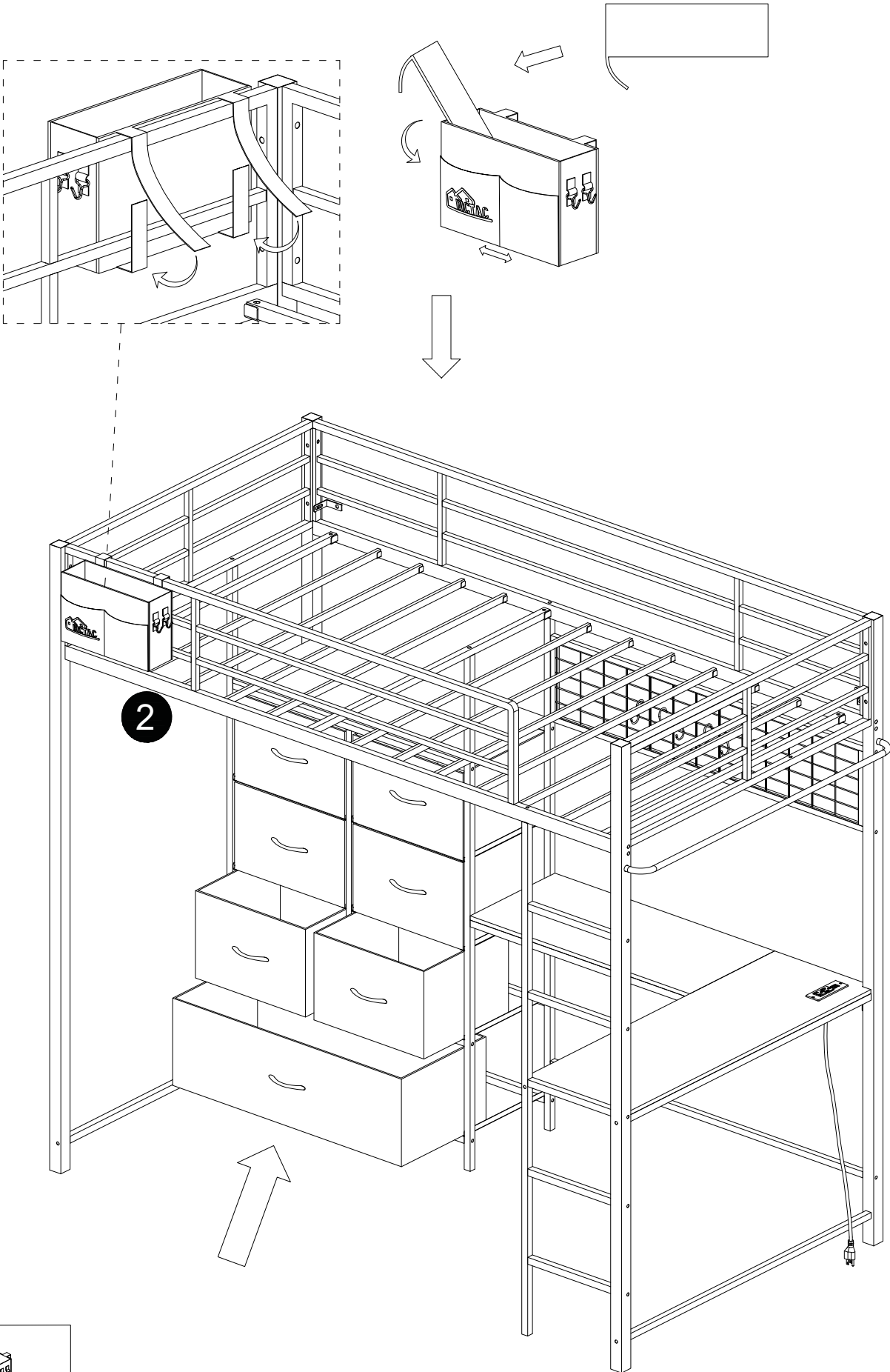


x6



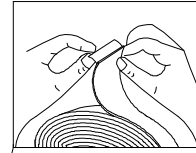
N

J	4*12			
	x14			
N	M4	P		
	x1		x7	x6
				x1

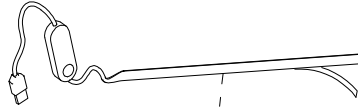
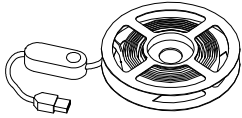


1: Please remove the adhesive tape numbered Q first, and then stick it to the bottom of the bed side.

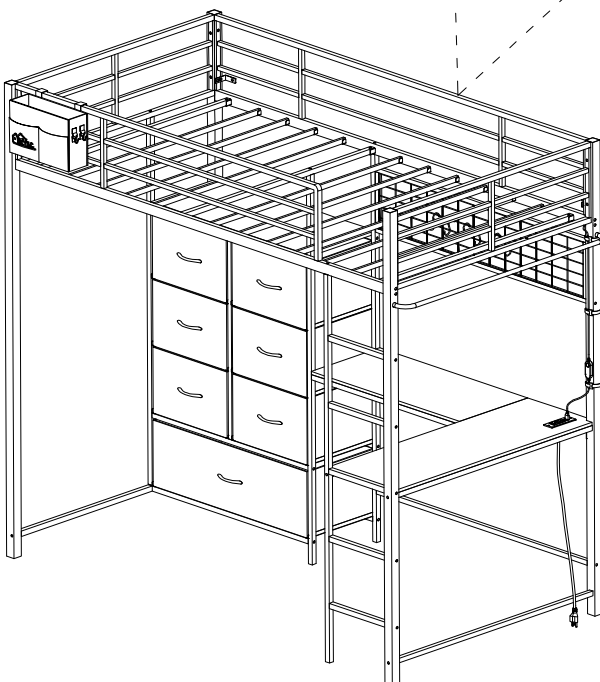
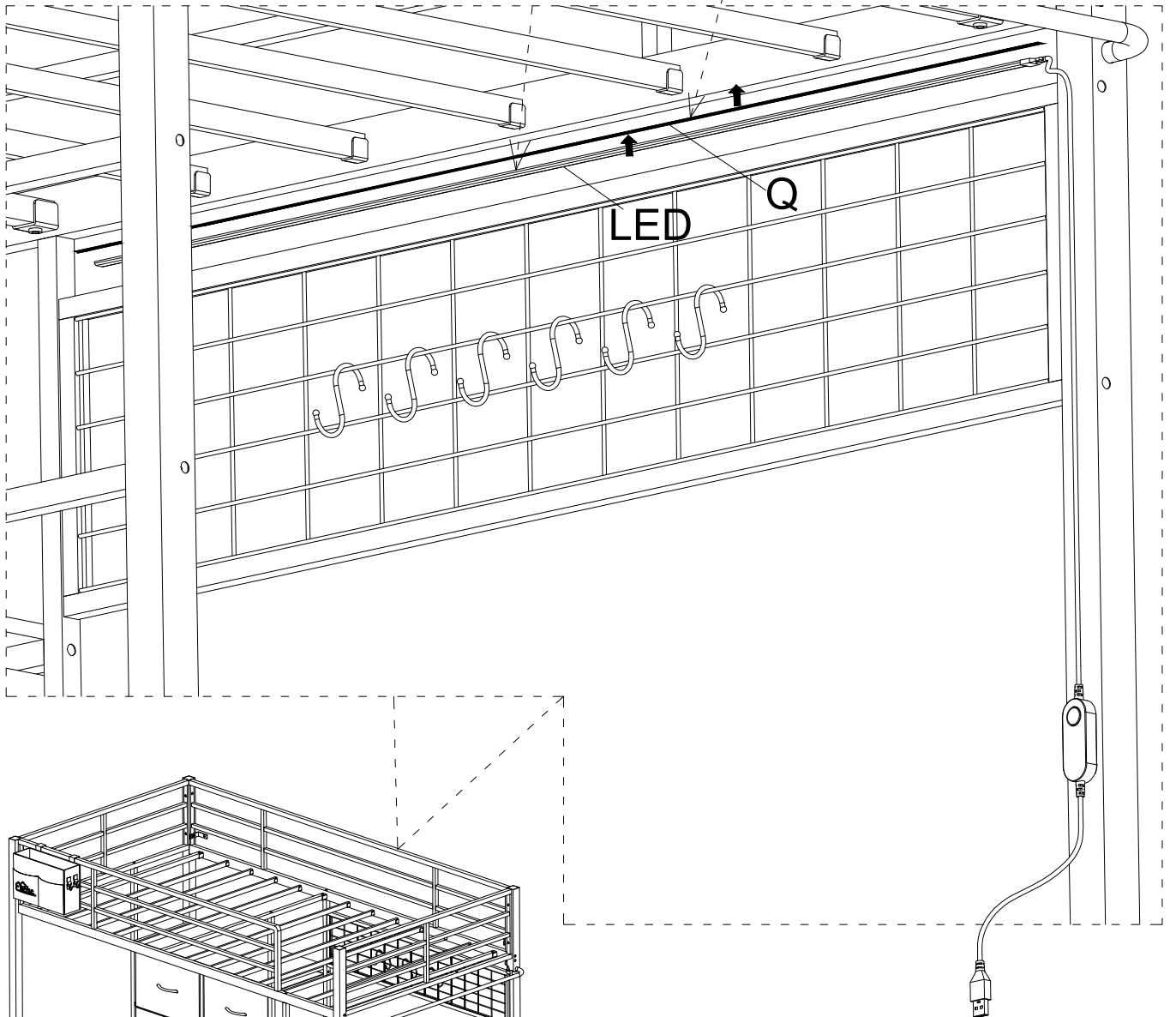
As shown in the figure





2: Unfold the light belt

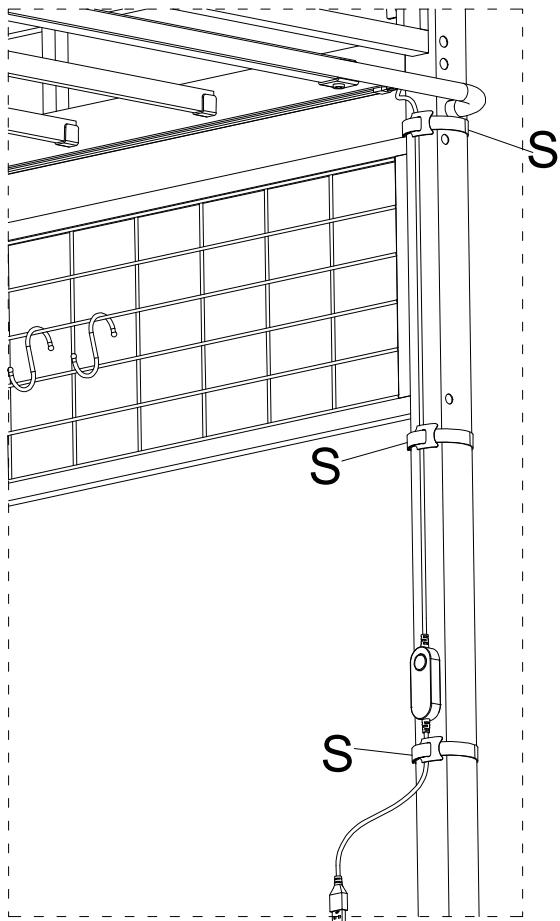


tear off the end of the tape and stick it to the bottom of the bed side tube.

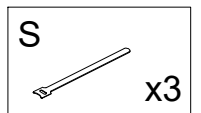
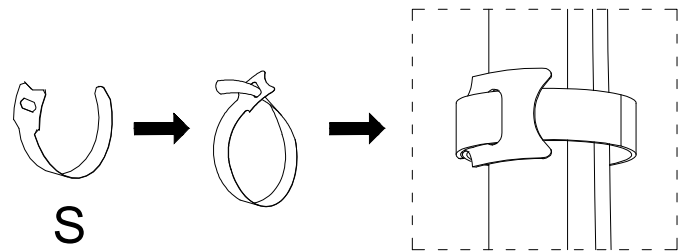


 x1	 Q x1
--	--

29



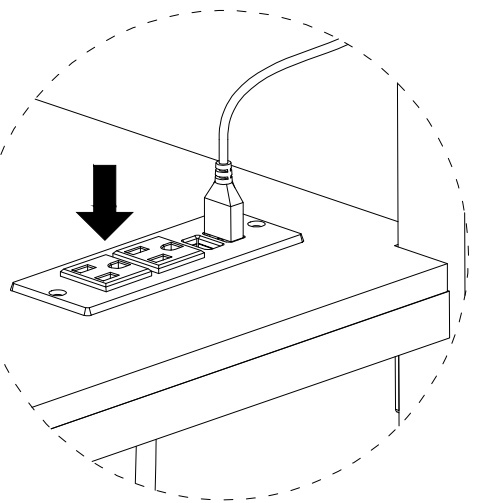
Please loosen the tie and tie it onto the iron pipe. As shown in the figure.



30

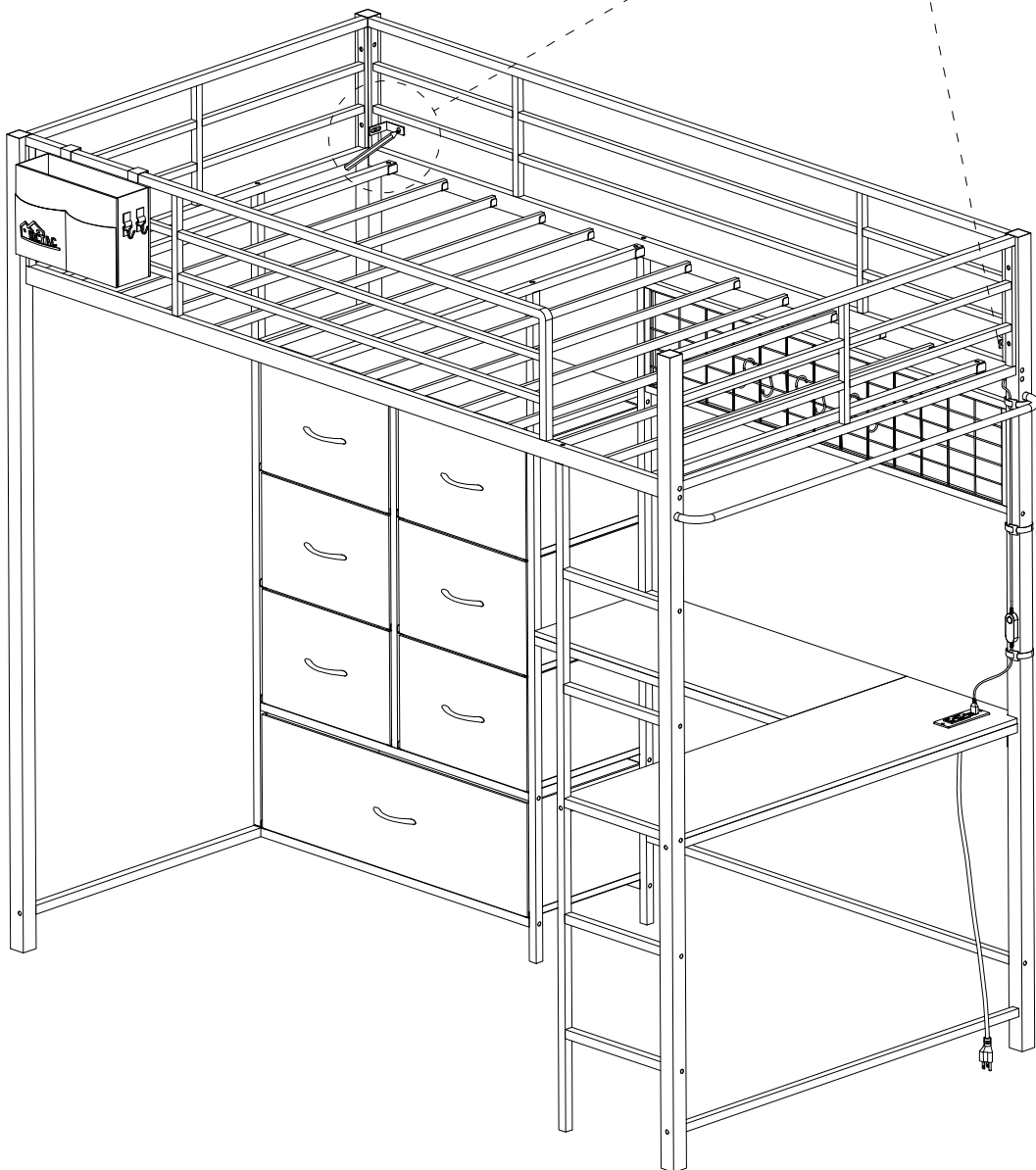
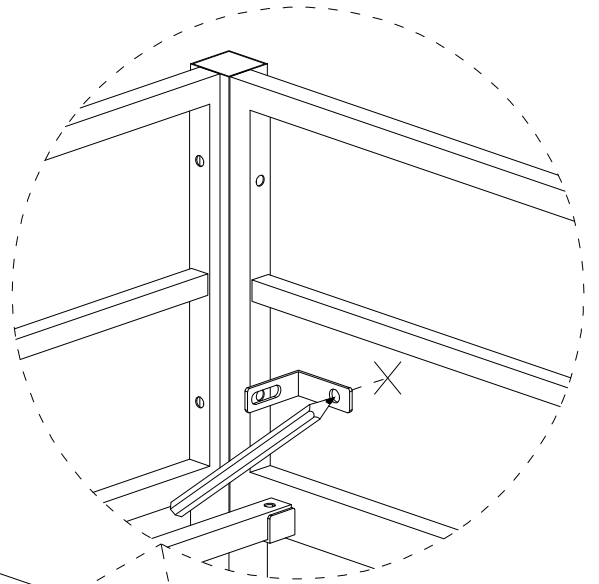


Please insert the plug of the light strip into the socket.



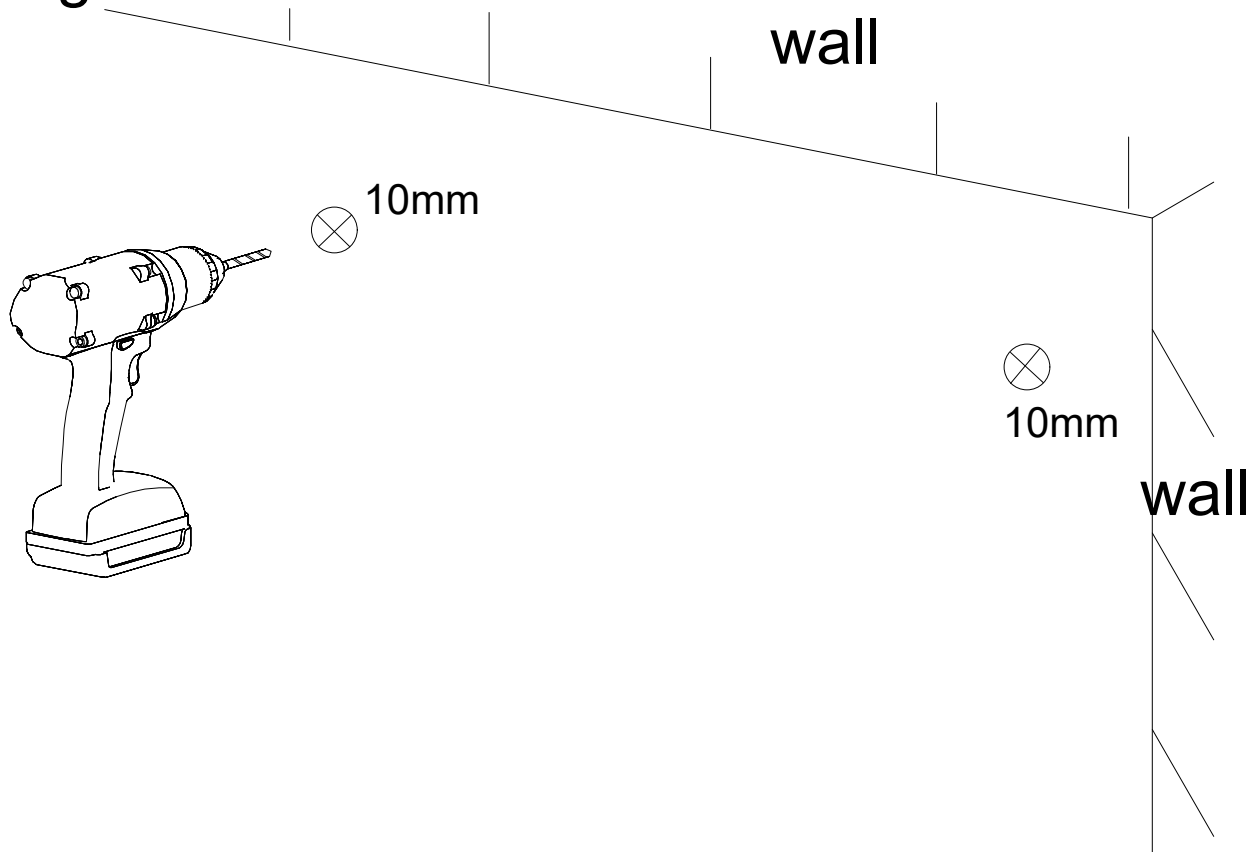
31 Positioning

wall

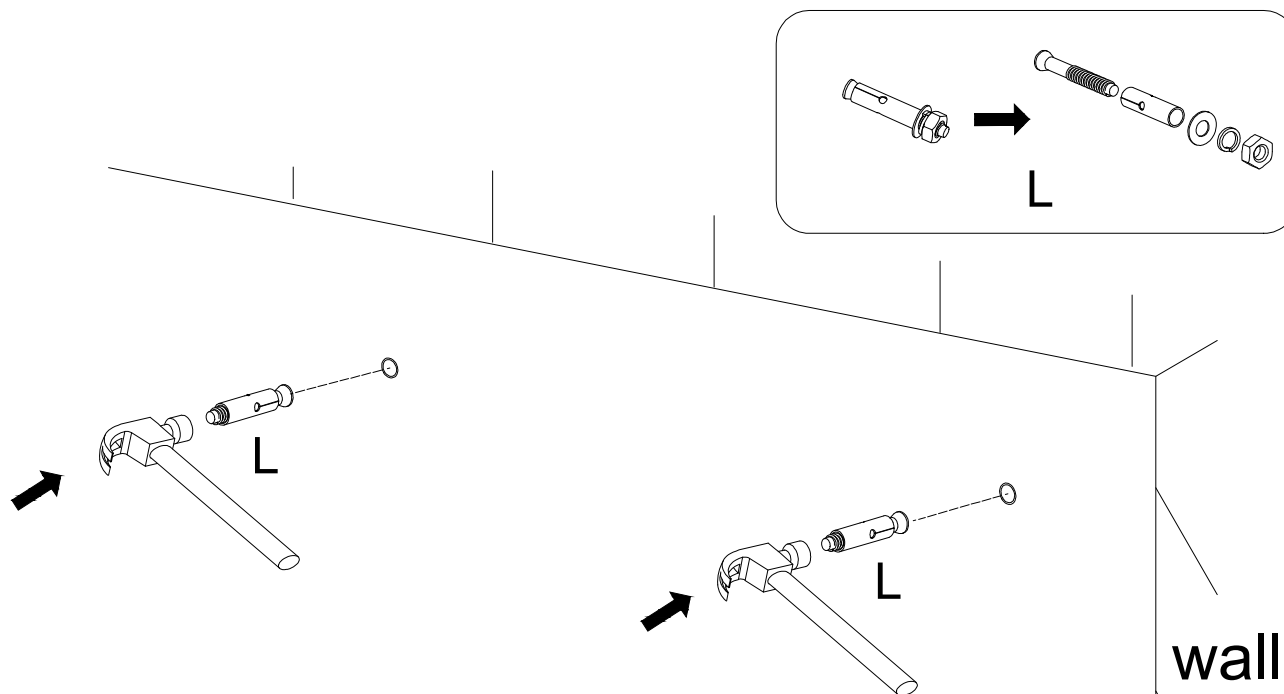


wall

32 Drilling

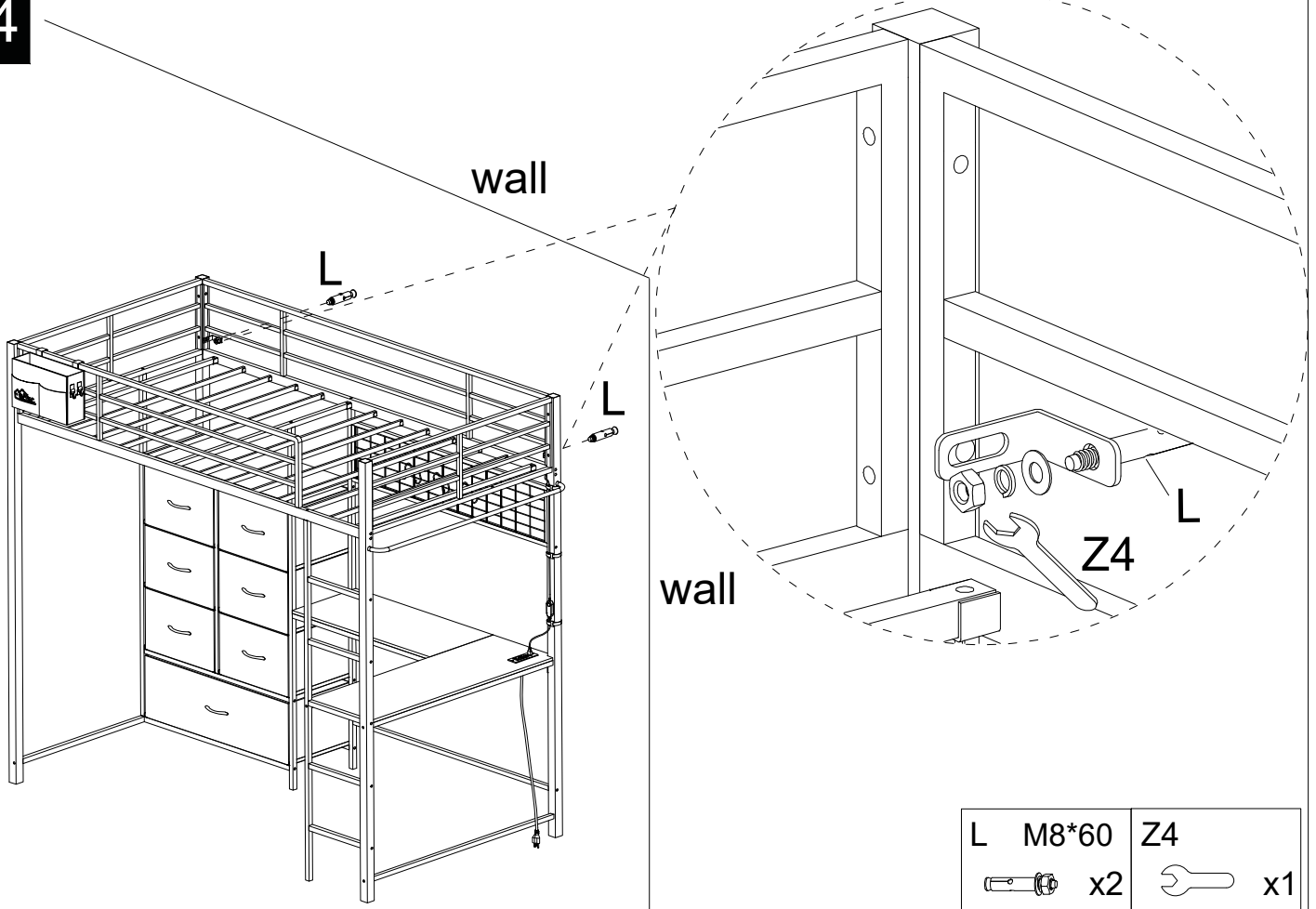


33



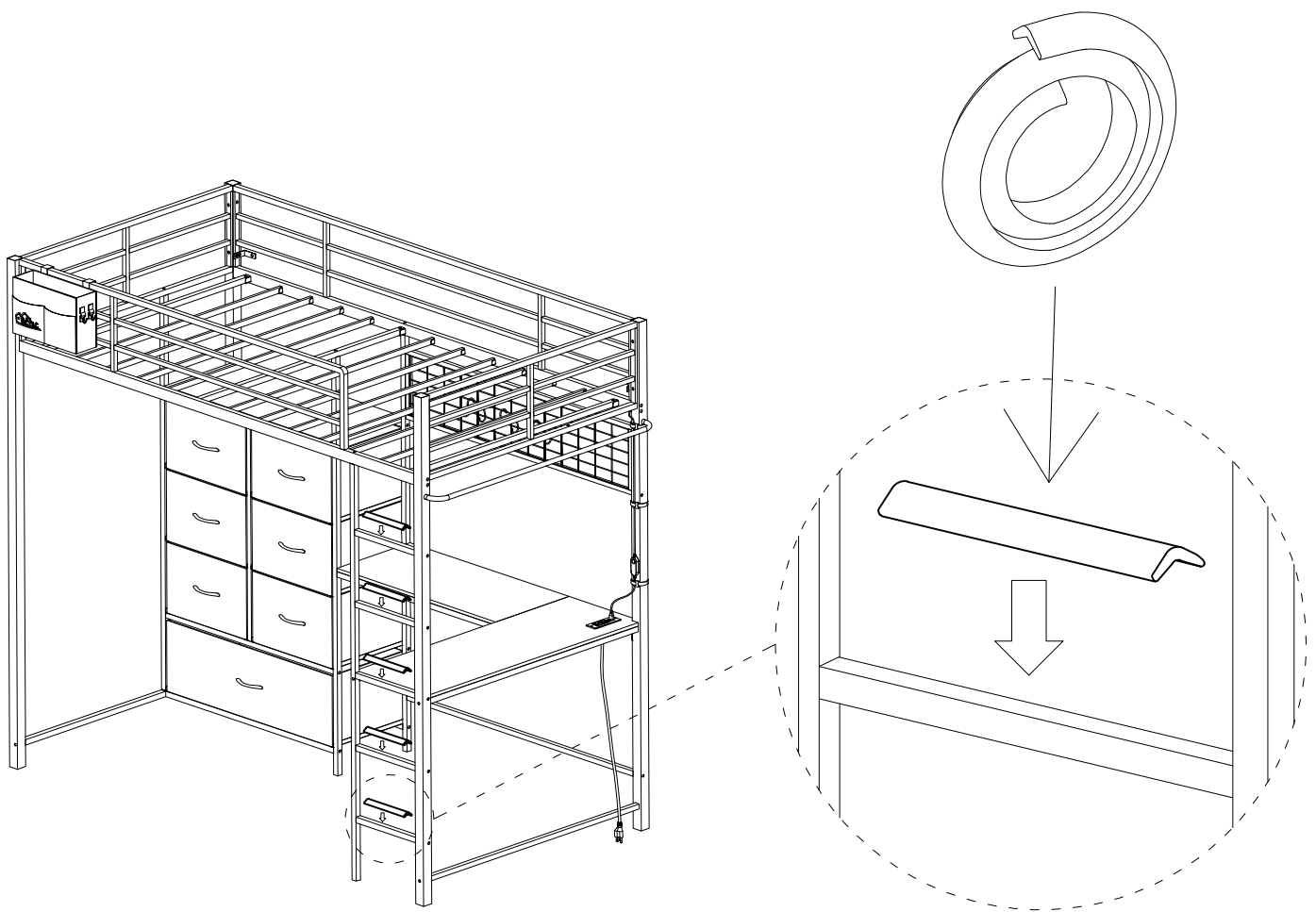
Please lock the expansion screw onto the wall.

34



35





Giveaway:

If you feel hurt when your feet step on the stairs, you can cut the protective cotton according to the size of the stairs and glue the protective cotton to the stairs.