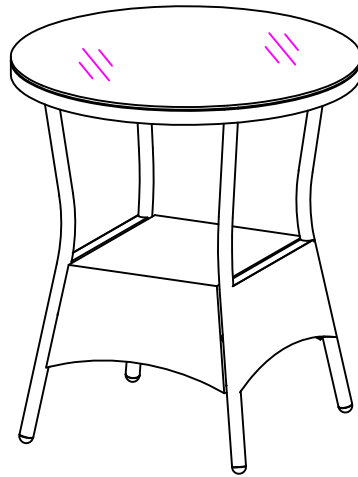




Assembling Instructions

TABLE

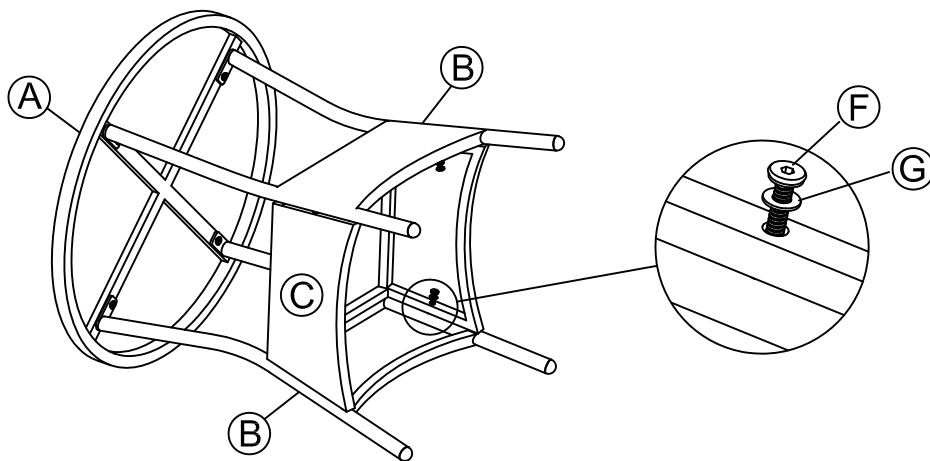
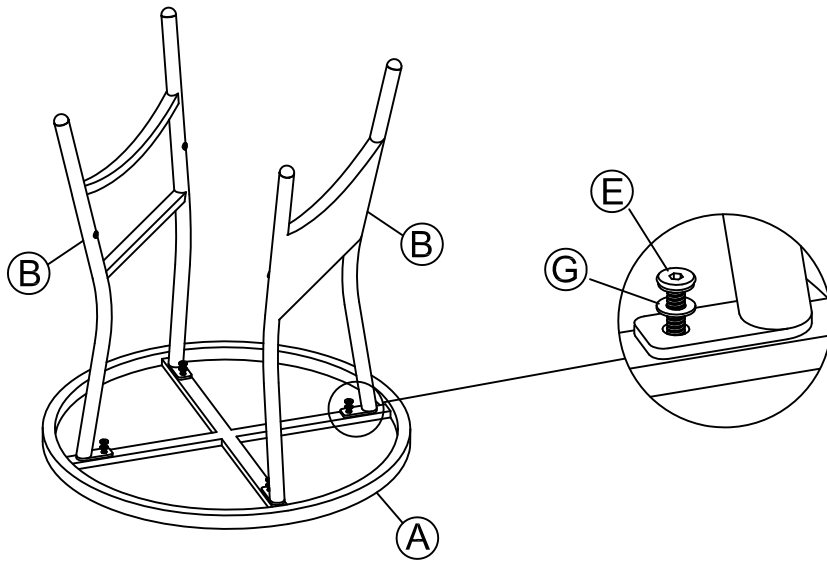


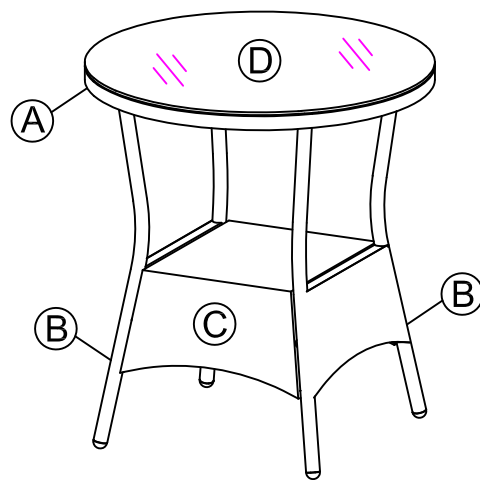
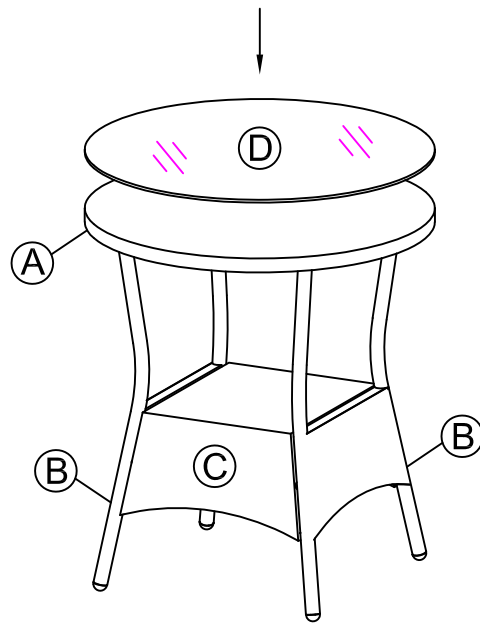
Part list

label	picture	Description	QTY
A		table frame	1PCS
B		table leg	2PCS
C		table guard	1PCS
D		glass	1PCS
E		screw	4PCS
F		screw	4PCS

G		washer	8PCS
H		spanner	1PCS

Assembly steps





Precautions

- ① Before assembling, please check if you have all the assembled parts on the assembly instructions.
- ② When you assemble, place all parts of the product on a thick carpet to prevent product scratches.
- ③ Tighten the screws one by one after fitting all of them in their setting, otherwise you may have troubles in fixing the product.
- ④ Easy assembly for two people.