


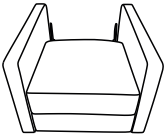
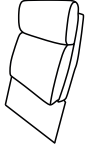
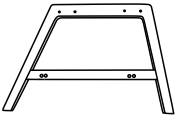
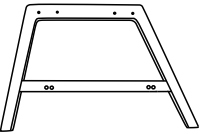
ASSEMBLY INSTRUCTION

ITEM NO.: 8489BLK/BEG-1PB
 PUSH BACK RECLINING CHAIR






 Hardware pack is stored at the bottom of chair.
 Please take out for assembly .

NOTE: Do not use power tools for assembly. Power tools increase the risk of over tightening which lead to splitting or cracking the wood.

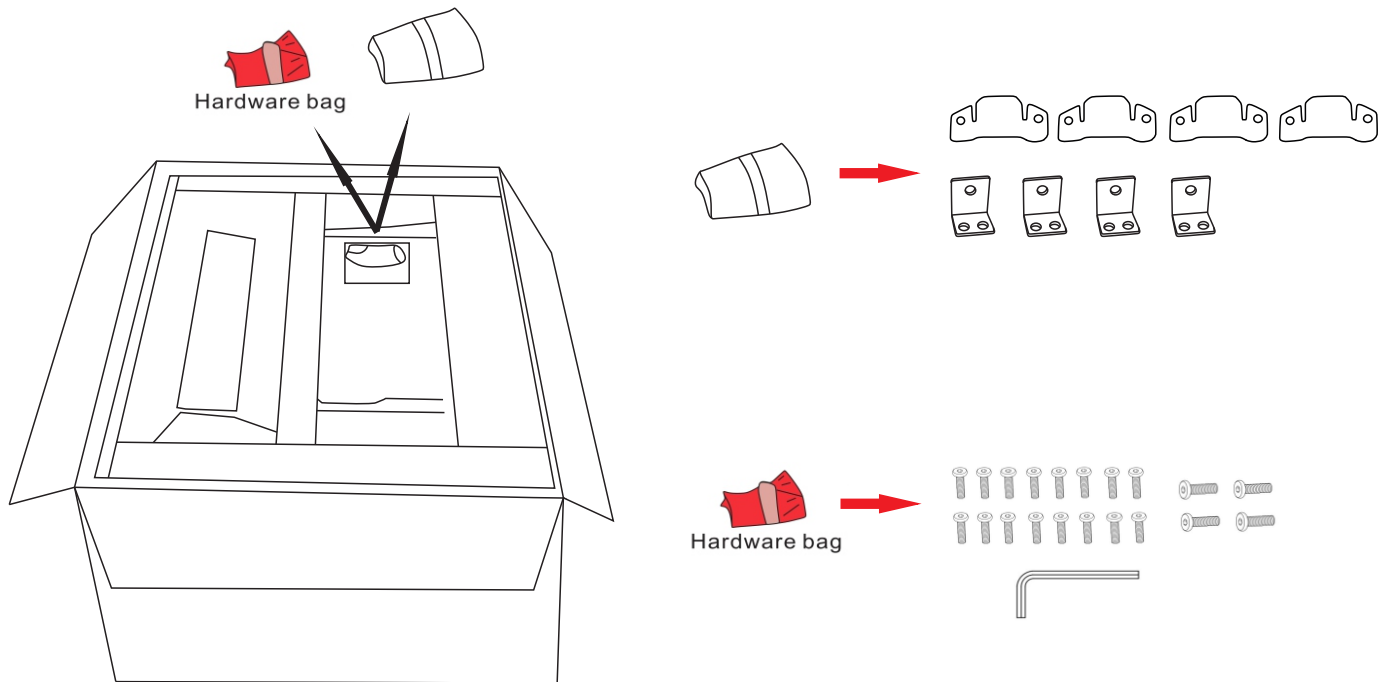
COMPONENT LIST

NO.	DRAWING	DESCRIPTION	QTY
A		Seat	1 PC
B		Backrest	1 PC
C		RSF wooden leg	1 PC
D		LSF wooden leg	1 PC

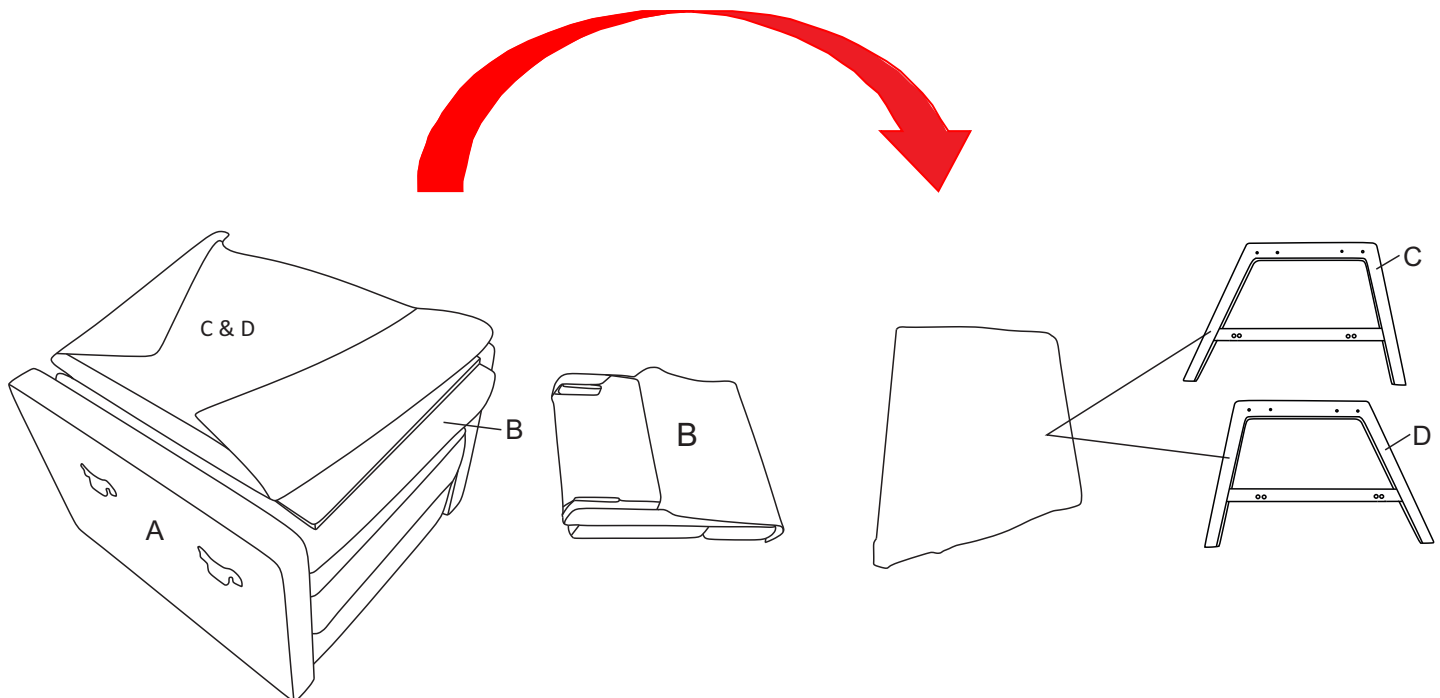
HARDWARE LIST

PART	DRAWING	DESCRIPTION	QTY
E		L-shaped wrench M6x73mm	1 pc
F		Bolt M6x30mm	4 pcs
G		Metal plate 40x34x50 (mm) x3mmT	4 pcs
H		Bolt M6x16mm	16 pcs
I		Mounting plate 98x47x13 (mm) x2mmT	4 pcs

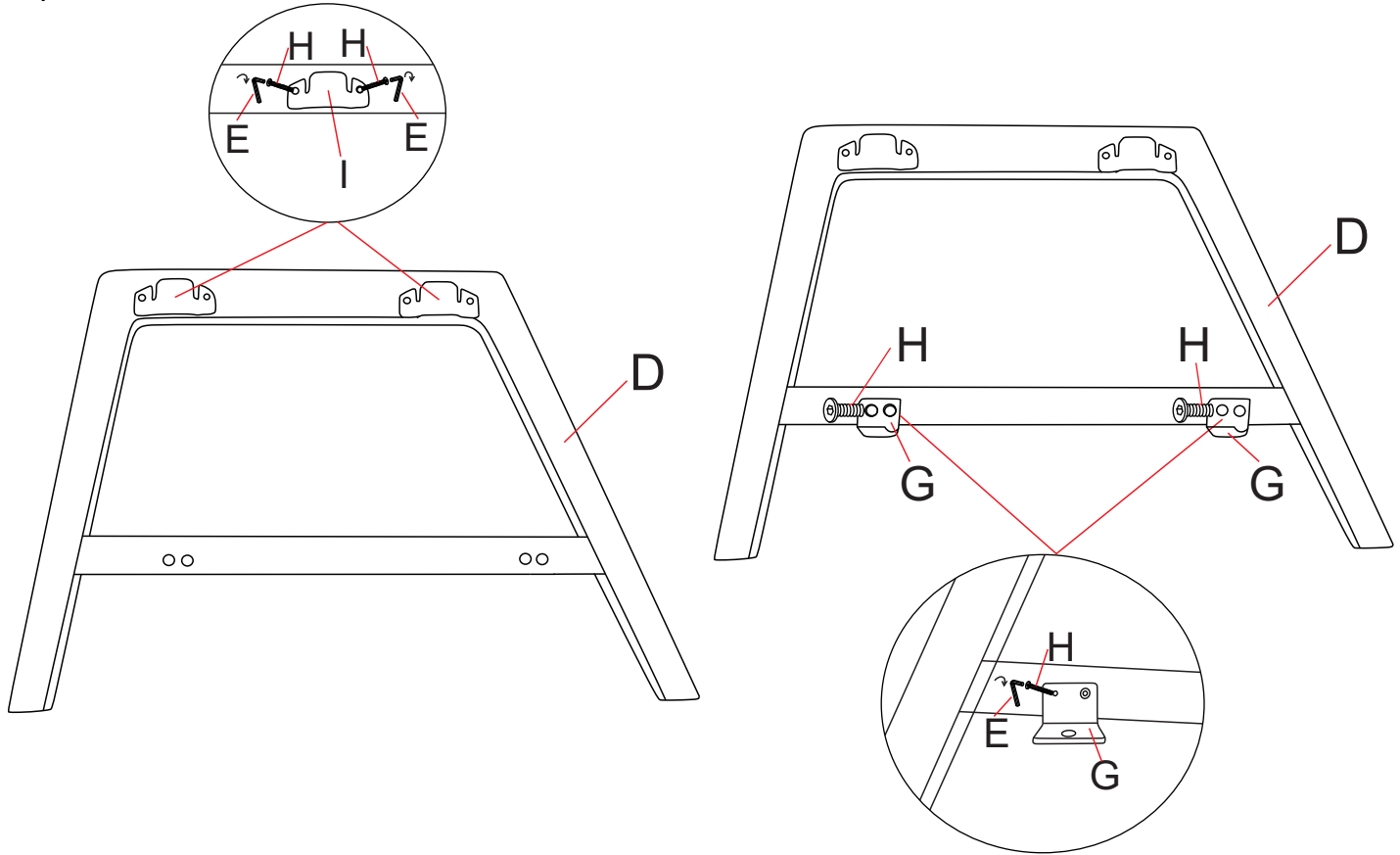
Step 1:



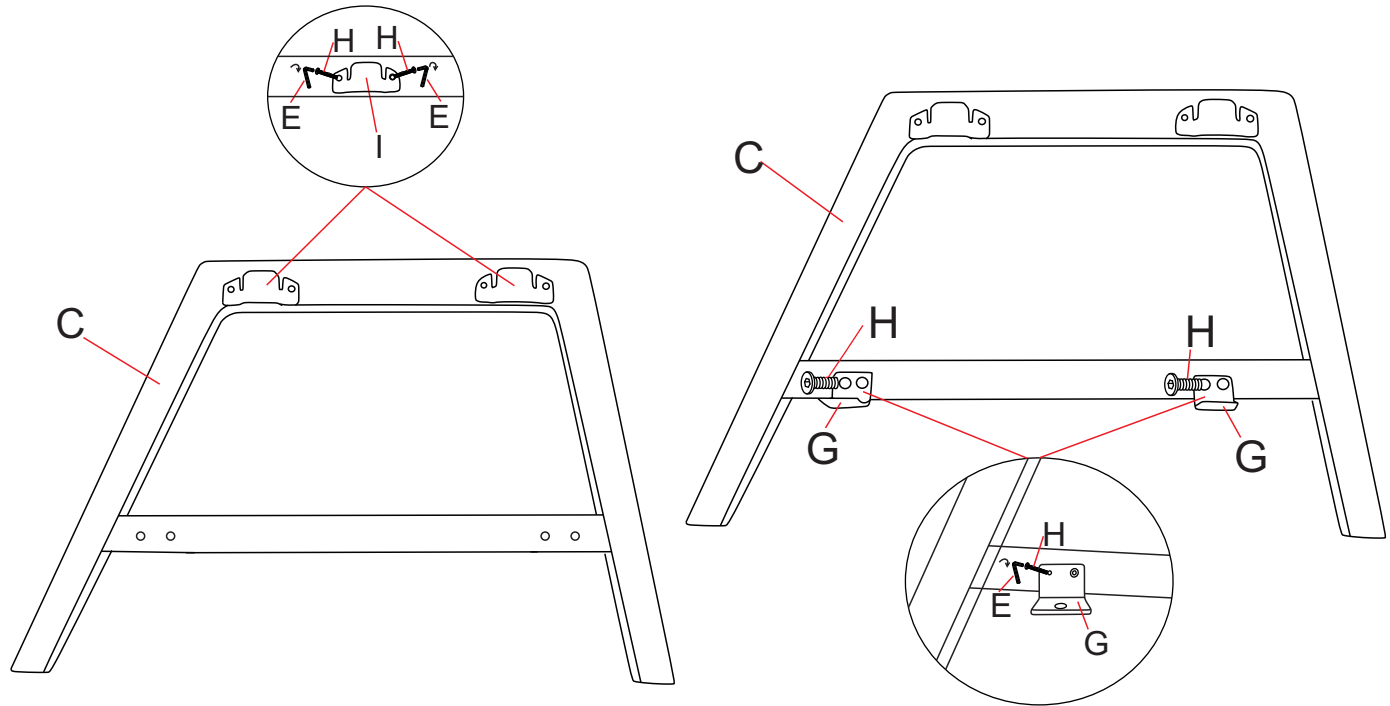
Step 2:



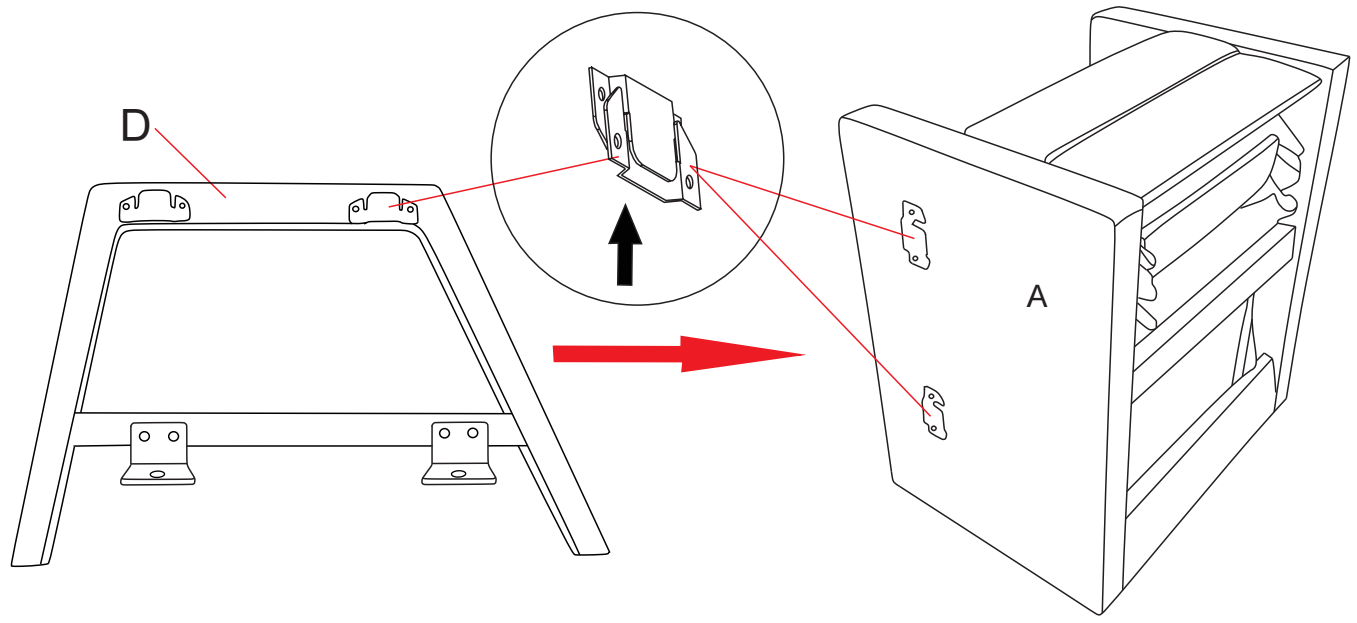
Step3:



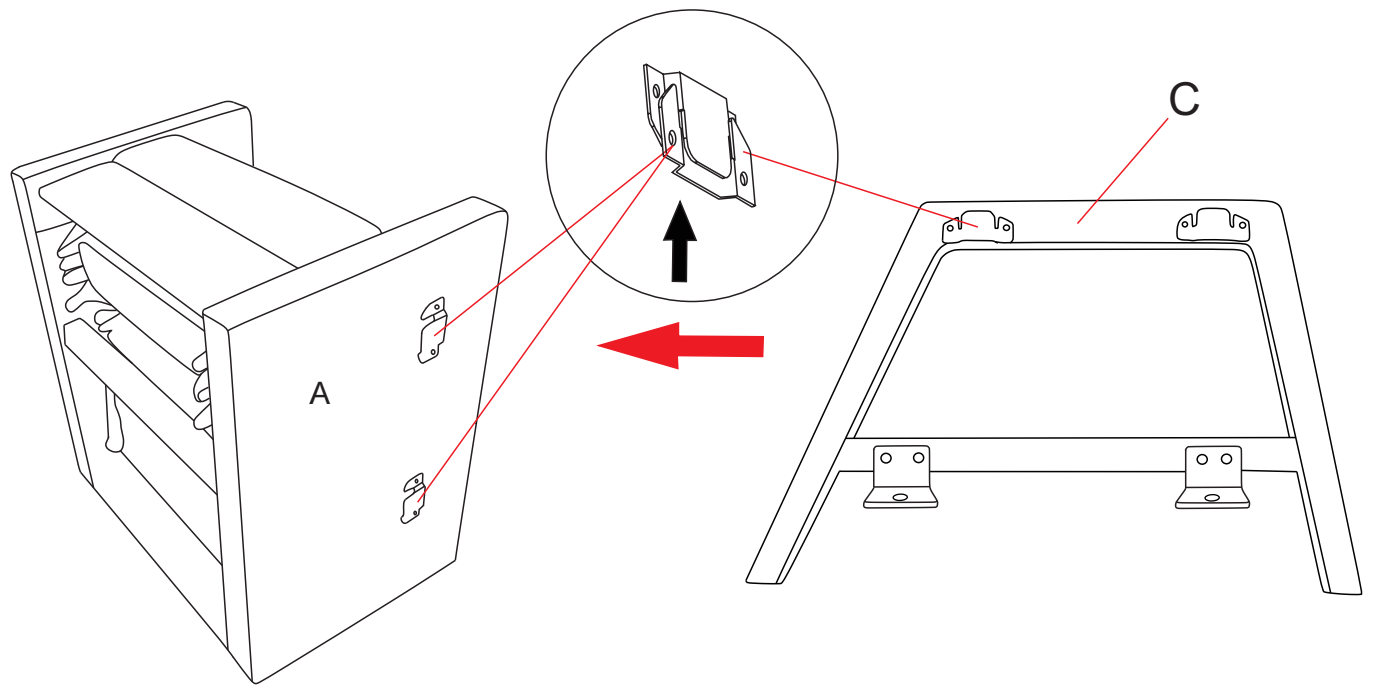
Step4 :



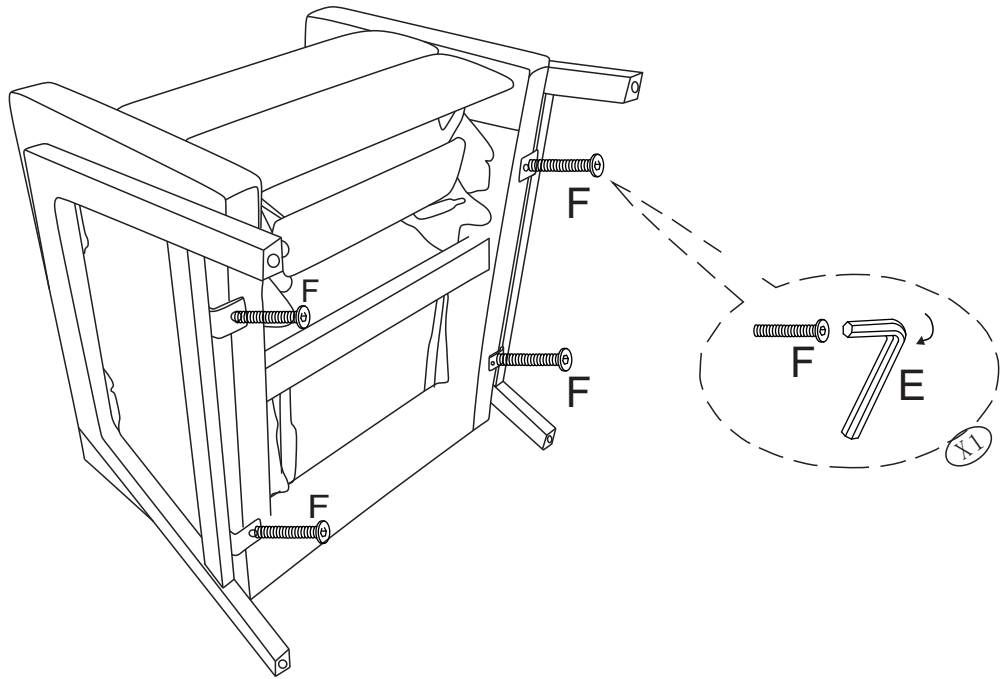
Step 5:



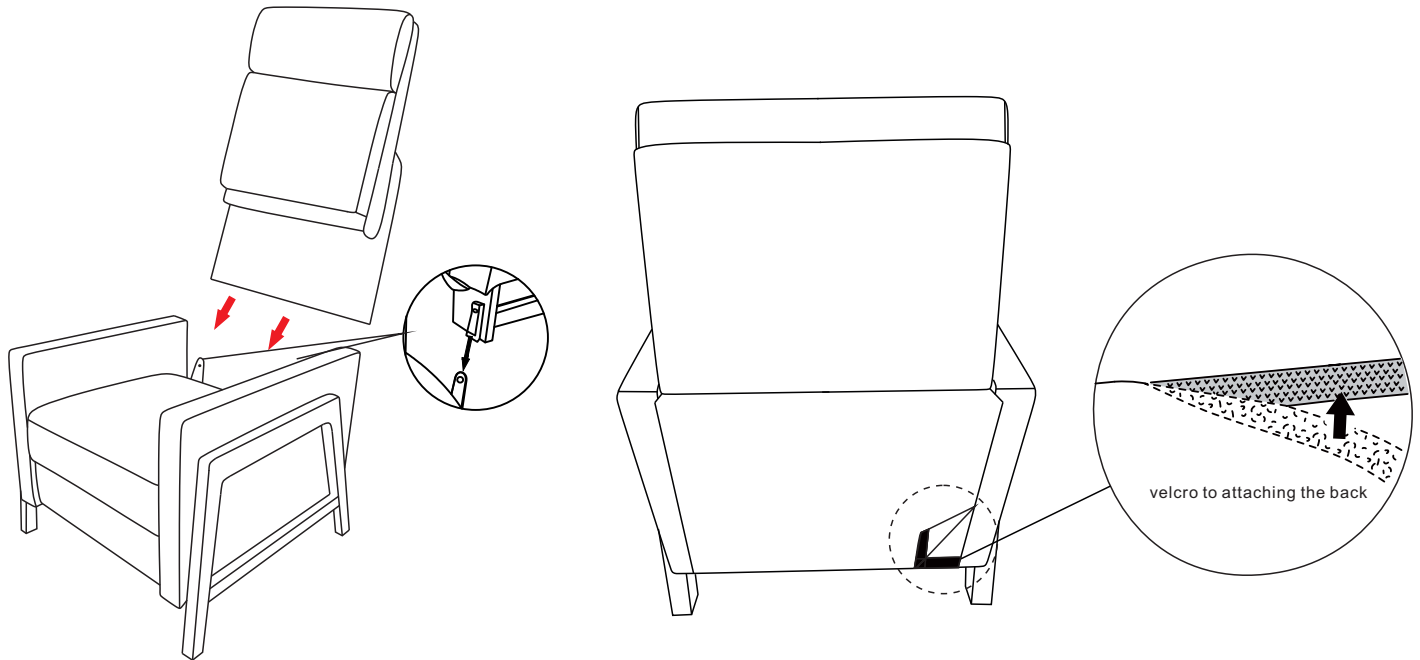
Step 6:



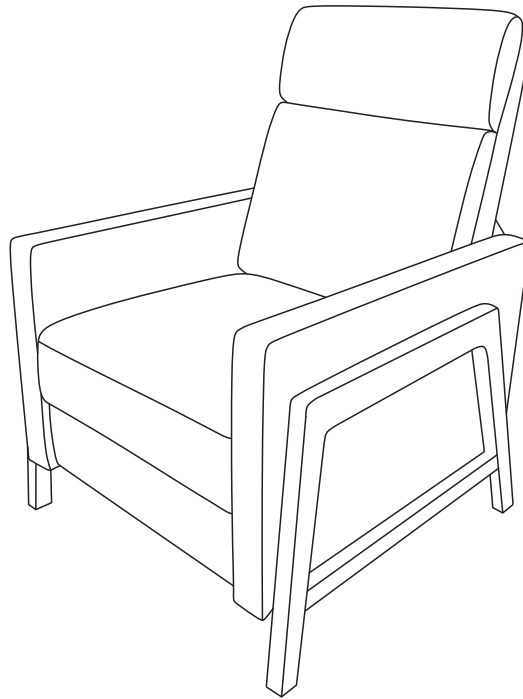
Step 7:



Step 8:



COMPLETED.



Care Instruction for Faux leather Furniture:

In order to maintain the original appearance of your Faux leather furniture, please follow below simple care procedures:

- **Avoid exposing furniture directly to sunlight or heating and air conditioning outlets. Sunlight and/or exposure to heating and air conditioning outlets will fade/damage Faux leather.**
- **Vacuum or wipe with a soft cloth to remove dust.**
- **Hardware may loosen over time. Periodically check to make sure all connection are tight, Re-tighten if necessary.**



For item use on wooden floor,hard surfaces or carpets, it is recommended to install protective pads under all legs and supports to avoid/prevent from damages/scratches and discoloration.