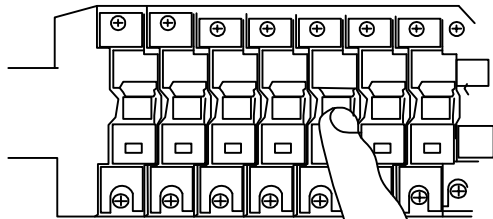


# Installation

1



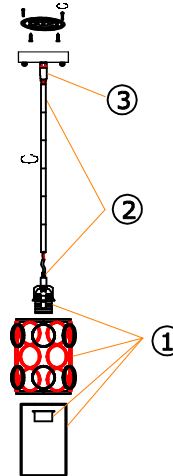
**OFF**

## STEPS

Turn off the power

2

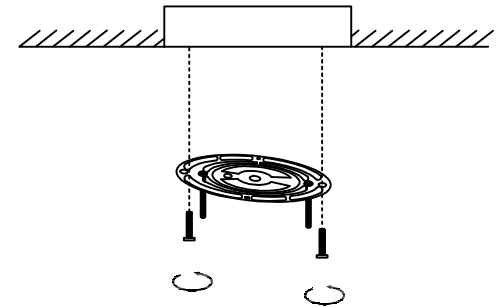
- ① Use the lid to lock the shade on the light bulb.
- ② Screw in the light bulb
- ③ Twist the round pipe up



## STEPS

And then proceed to the next step, as shown in Figure 3

3



## STEP

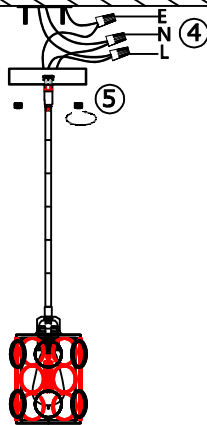
Install the hanging board on the ceiling, and then proceed to the next step, as shown in Figure 4

4

- black L
- white N
- Earth E

- ④ Connect the power wire of lamp body to the reserved Power cable, pay attention to the positive and negative poles

- ⑤ Fix the lamp body on the ceiling with nuts

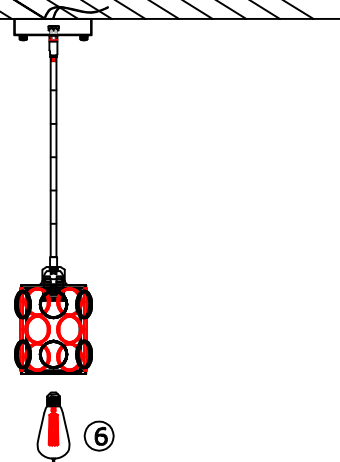


## STEPS

And then proceed to the next step, as shown in Figure5

5

- ⑥ Twist the light bulb onto the lamp body



## STEPS

The installation is complete

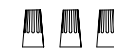
## Caution:

Advertencia:

- 1.Voltage: 110V-130V
- 2.Bulb Model: E26 / MAX-60W
- 3.Before installation, please check whether the accessories are complete,if you have any problem, please contact our customer service in time
- 4.Before installation, please cut off the power supply to prevent electric shock.
- 5.Please be sure the installation according to the company's instructions.



Screw



Wire connector



Instruction