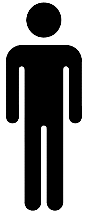
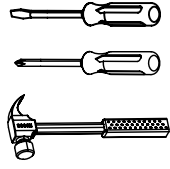


30 MIN



x2



Self-Assemble
tool request

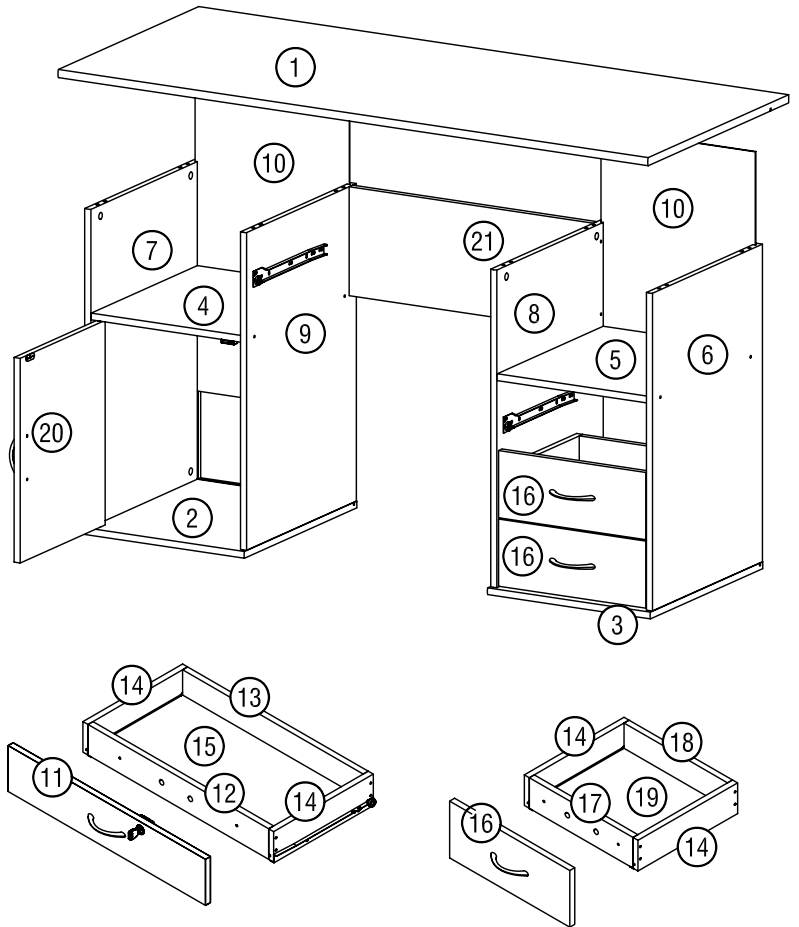
Instructions/Instrucciones/Mode d'emploi





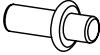

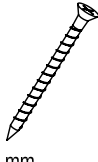
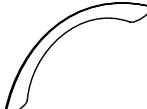

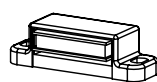
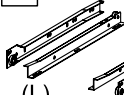
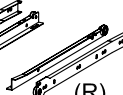

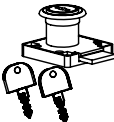


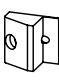
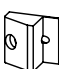
- Do not tighten bolts completely until desk is fully assembled
- Por favor no apretar los tornillos hasta que haya ensamblado
- el escritorio completamente

PARTS LIST

1	x1
2	x1
3	x1
4	x1
5	x1
6	x1
7	x1
8	x1
9	x1
10	x2

11	x1
12	x1
13	x1
14	x8
15	x1
16	x3
17	x3
18	x3
19	x3
20	x1
21	x1

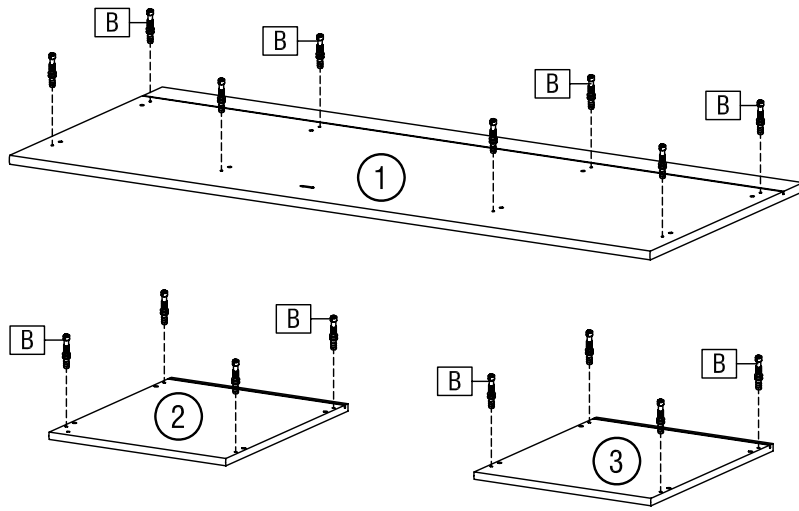


A  x16	B  x16	C  x16	D  x28	E  x2	F  6 X 15 mm x4
G  8 x 50 mm x44	H  x5	I  M4 x 22 mm x10	J  x1	K  (L) (R) 4 set	L  6 X 13 mm x34
M  x1	N  M6 X 25 mm x8	O  x1	P  4 X 13 mm x1	Q  x12	R  4 X 15 mm x12

Step 1



B = x16



Step 2



A = x4



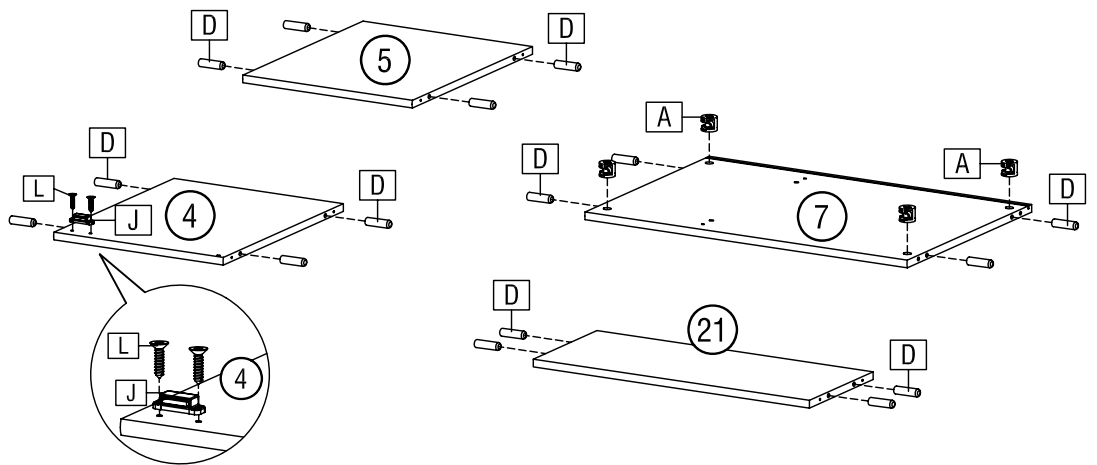
D = x16



J = x1



L = x2



Step 3



A = x4



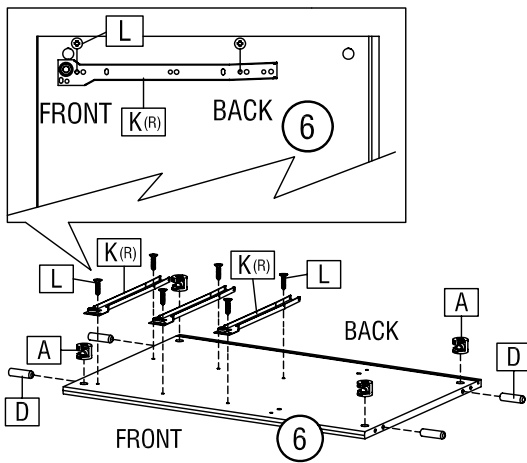
D = x4



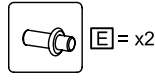
K(R) = x3



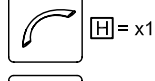
L = x6



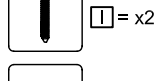
Step 4



E = x2



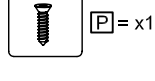
H = x1



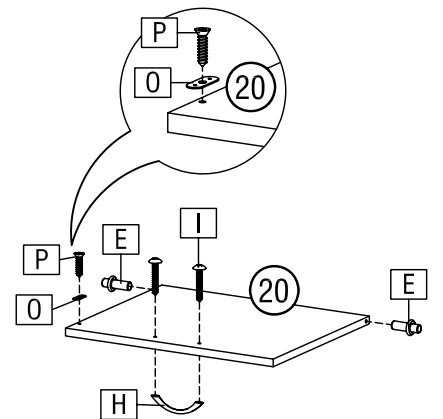
I = x2



O = x1



P = x1



Step 5



A = x4



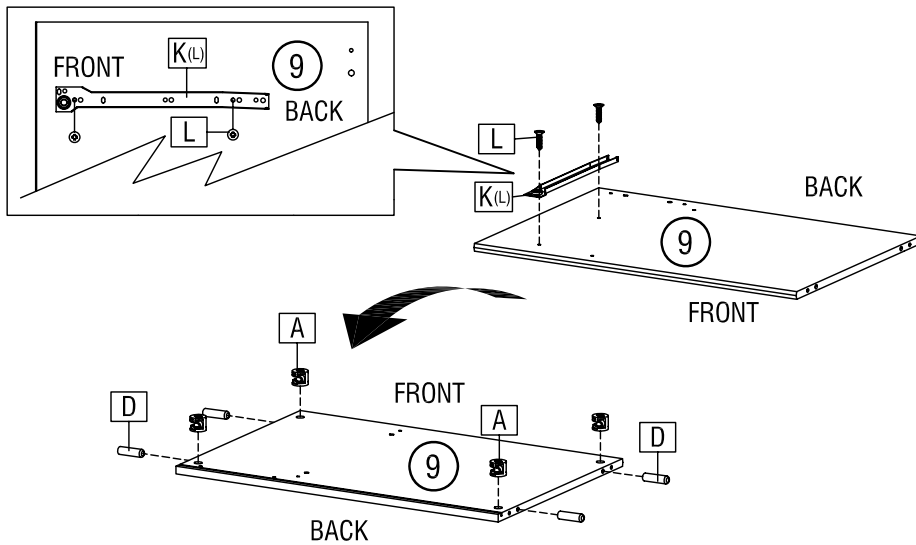
D = x4





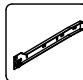
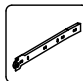

K(L) = x1

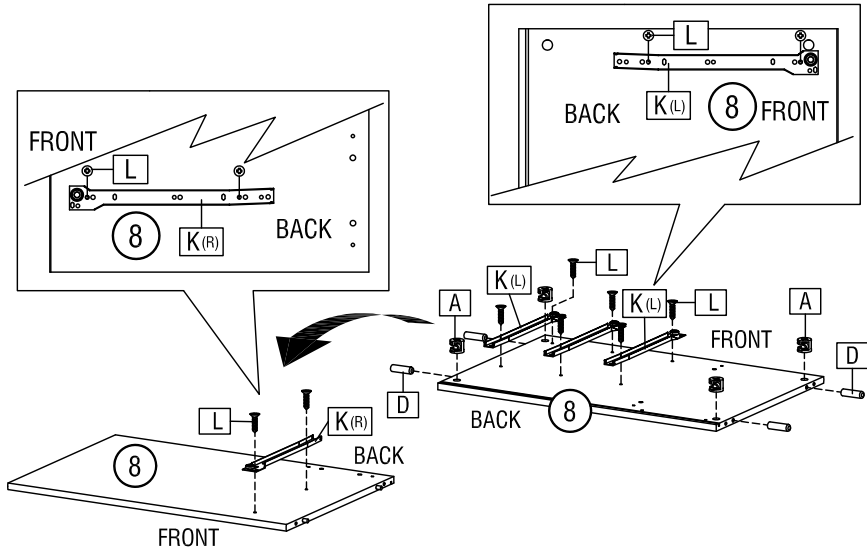


L = x2



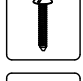
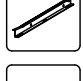

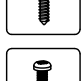
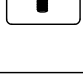


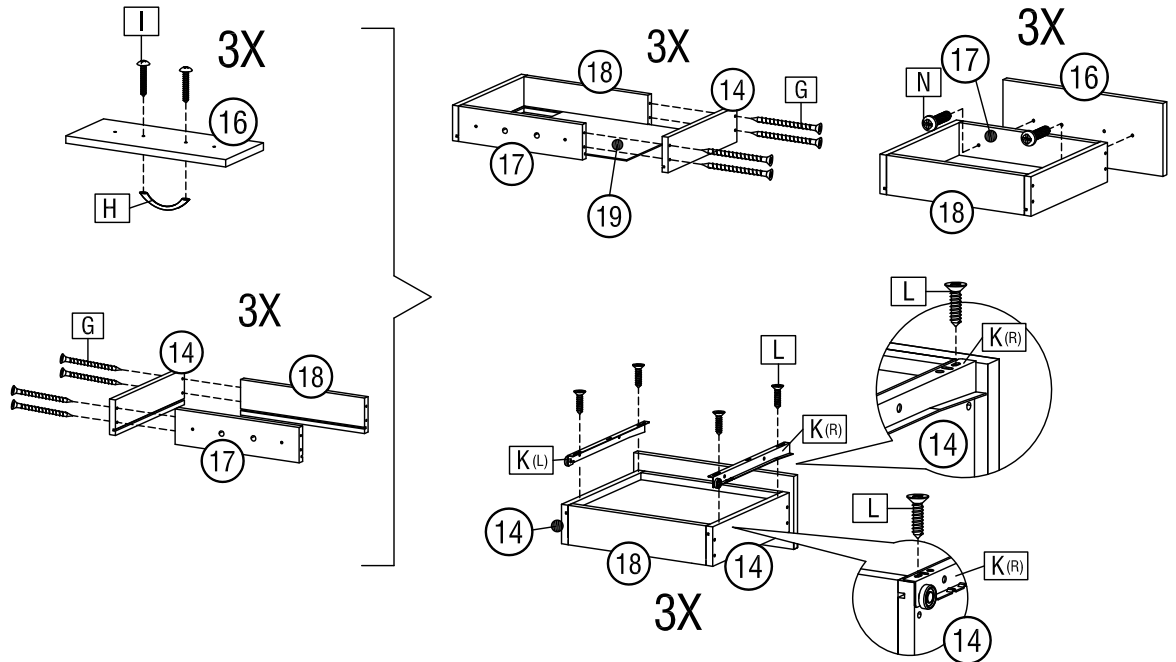
Step 6

-  A = x4
-  D = x4
-  K(L) = x3
-  K(R) = x1
-  L = x2



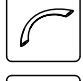
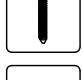


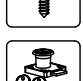

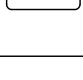


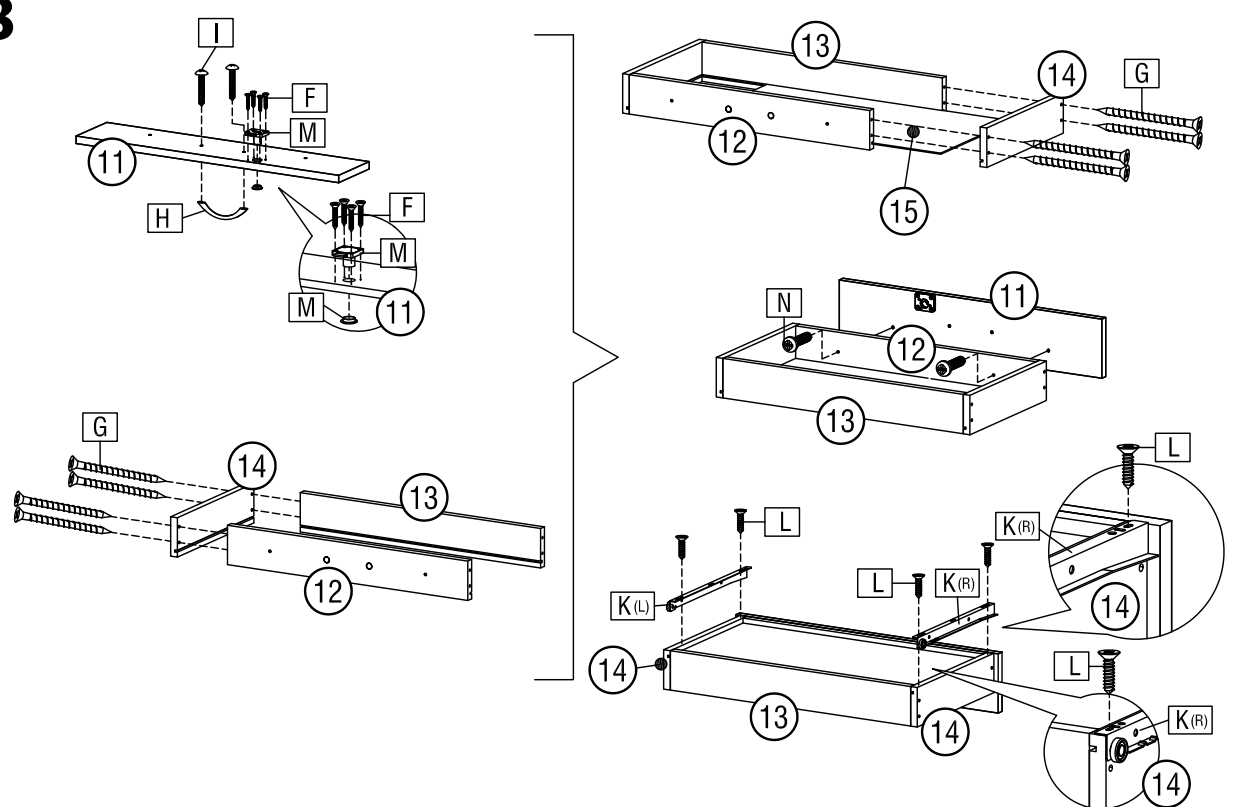
Step 7

-  G = x24
-  H = x3
-  I = x6
-  K(L) = x3
-  K(R) = x3
-  L = x12
-  N = x6

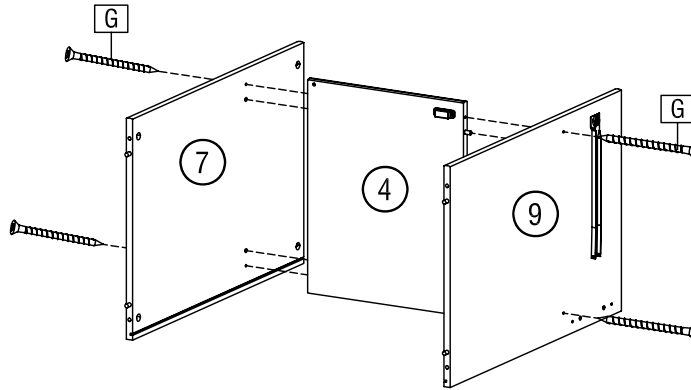


Step 8

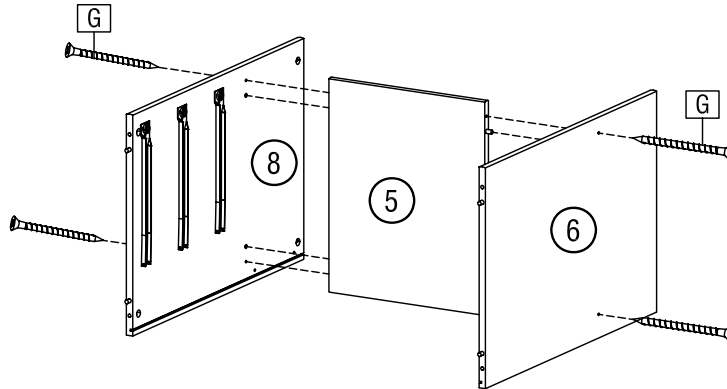
-  F = x4
-  G = x8
-  H = x1
-  I = x2
-  K(L) = x1
-  K(R) = x1
-  L = x4
-  M = x1
-  N = x2



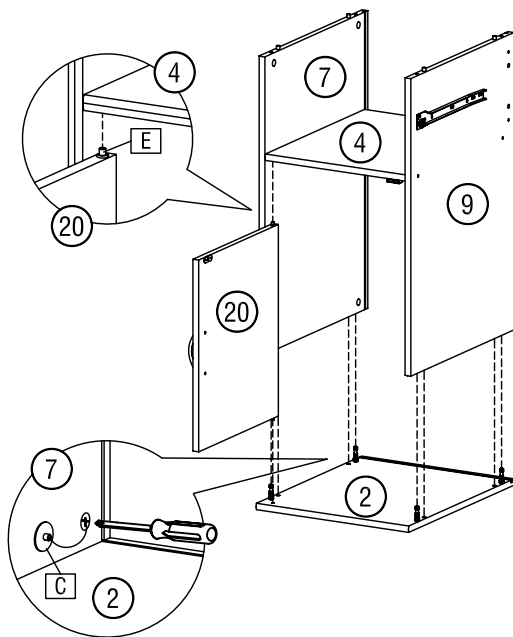
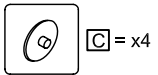
Step 9



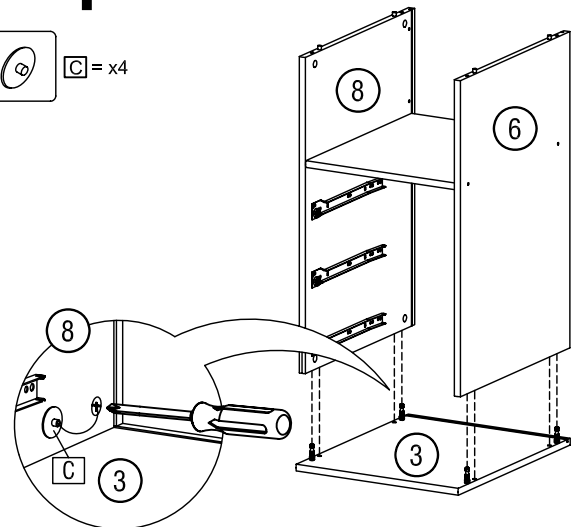
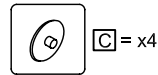
Step 10



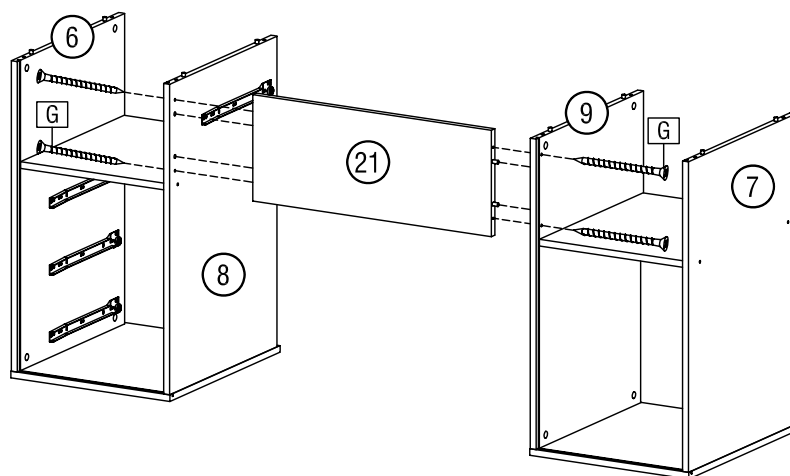
Step 11



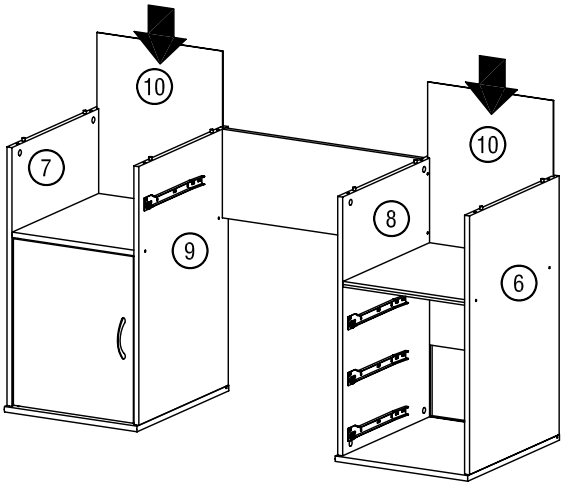
Step 12



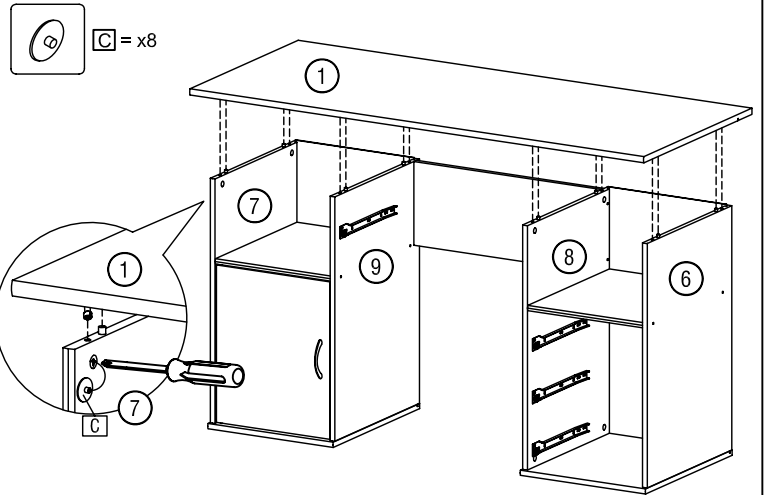
Step 13



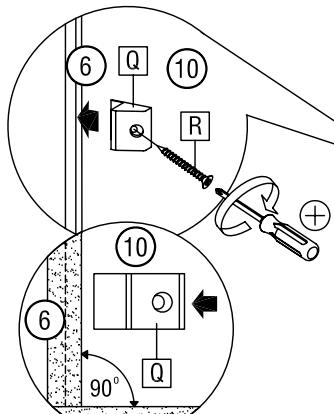
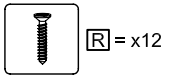
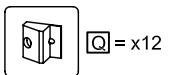
Step 14



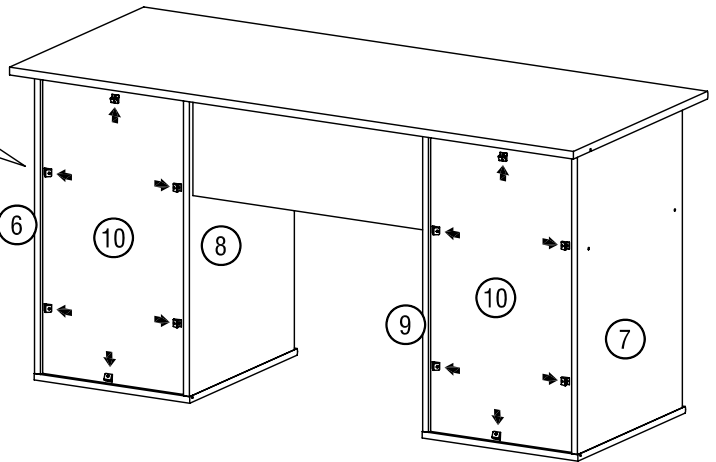
Step 15



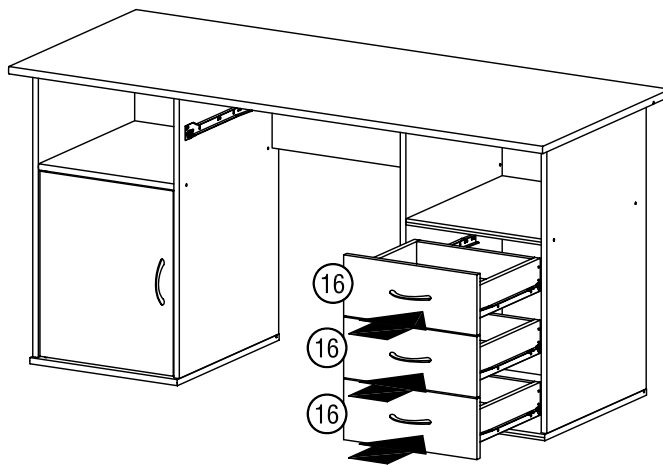
Step 16



BACK VIEW



Step 17



Step 18

