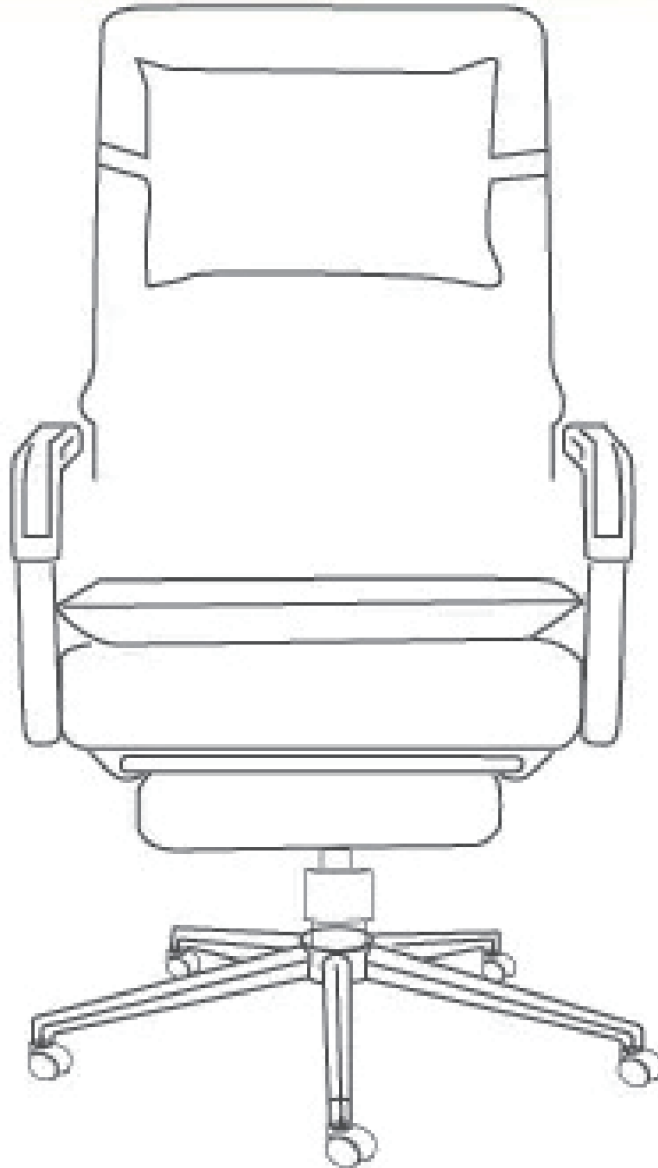

Owner Manual

Cameron Office Chair



Carefully unpack and identify each component before beginning assembly. Before you begin, please refer to parts list to make sure that you have all parts. Please take care when assembling the unit and always place the parts on a clean, soft surface.

PRE-ASSEMBLY PREPARATION

• **Note:** Assembly is recommended for two adults. Do not use power tools. Please inspect all items BEFORE assembly. If for any reason you need to return this item, please kindly return it in it's original packaging.

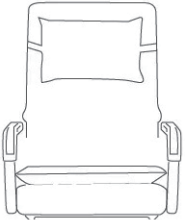






• **WARNING!**

1. DO NOT let any sharp objects touch or rub the surface of the product.
2. When assembling, do not let children play around the working area.
3. DO NOT USE if this product become damaged, and/or components are broken or missing.

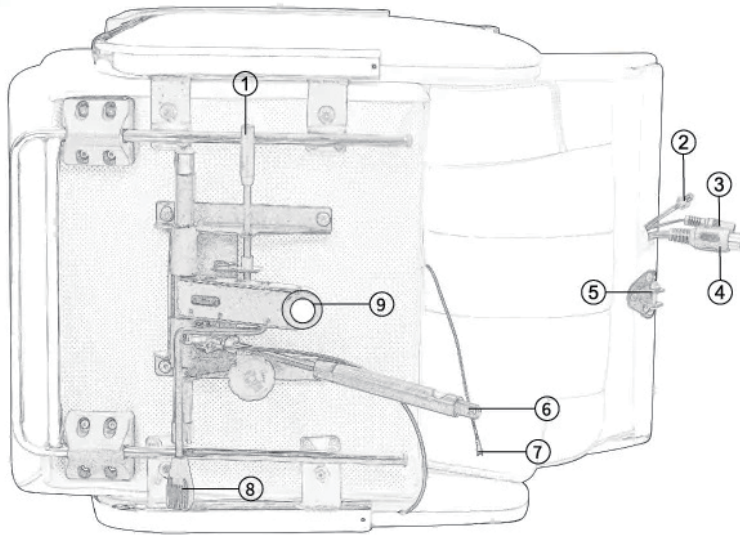
• **CARE AND CLEANING:** DO NOT scratch or chip the finish. DO NOT use abrasive chemicals for cleaning. Clean with mild soap on a soft rag. Rinse and dry thoroughly.

• **MAINTENANCE:** Please periodically check all fittings and re-tighten as necessary.

PARTS LIST

<p>BACKREST (A)</p>  <p>Qty: 1</p>	<p>SEAT (B)</p>  <p>Qty: 1</p>	<p>GAS LIFT (C)</p>  <p>Qty: 1</p>	<p>BASE (D)</p>  <p>Qty: 1</p>
<p>WHEEL (E)</p>  <p>Qty: 5</p>	<p>SEAT PLATE (J)</p>  <p>Qty: 2</p>	<p>BASE CAP (K)</p>  <p>Qty: 4</p>	

USER MANUAL



- ① Swing function lever
- ② Thigh massage interface
- ③ Charging port
- ④ Remote control cable
- ⑤ Fixed end of the backrest
- ⑥ Reclining rod
- ⑦ Thigh massage interface
- ⑧ Seat height adjuster
- ⑨ Mounting hole

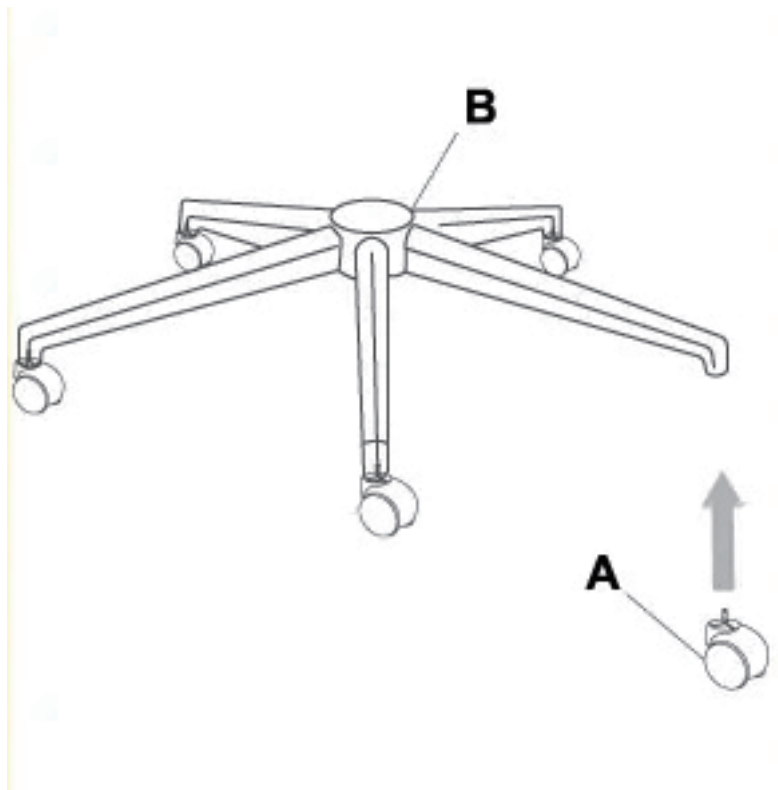
Attention: ·connect 2 and 7
 ·connect 5 and 6
 ·2 3 4 7 Only for chairs with massage function

CAUTIONS

	Do not exceed the maximum load capacity		Do not sit on the armrests to prevent slipping		Do not stand on the chair to avoid injury
	Do not throw the chair and move it slowly		Do not close to sharp objects to avoid scratching		Do not place chairs near the flame to avoid damage
	Make sure to regularly check that all screws are tight		Make sure the safety when assembling the products		Make sure to read the user manual before using

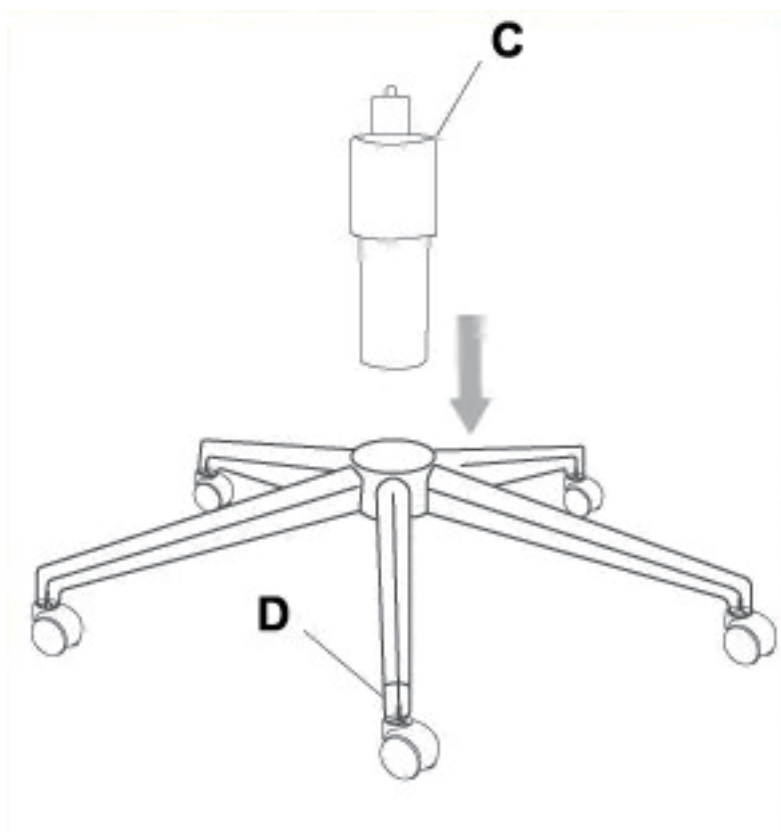
STEP 1

Insert and push each caster into the base.



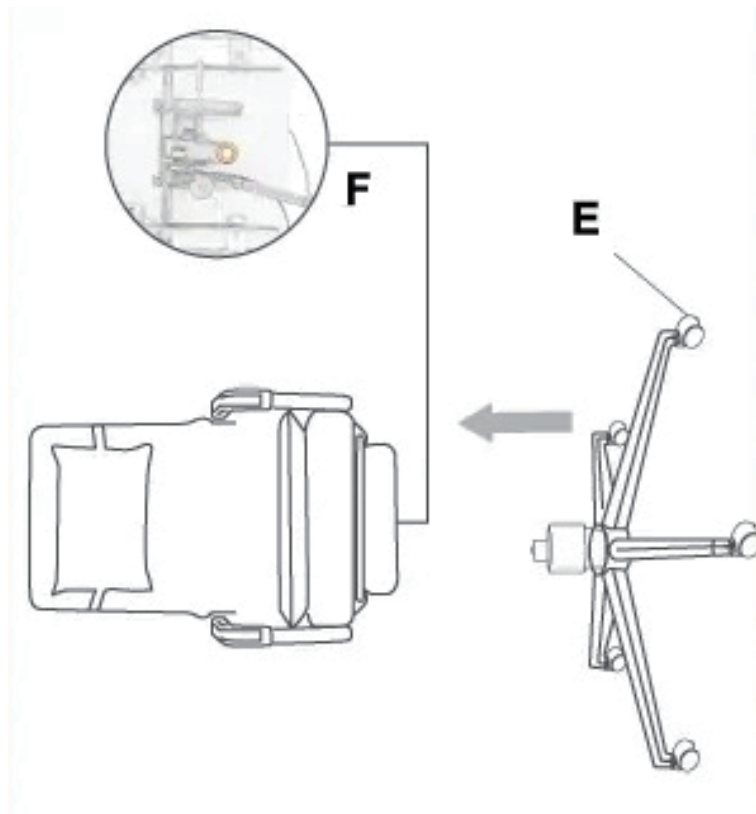
STEP 2

Insert the gas lift cylinder into the center of the base.



STEP 3

Insert top of the gas lift cylinder into the mounting hole.



STEP 4

The installation is completed.

