

# ASSEMBLY INSTRUCTIONS




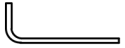
Read this instruction carefully. Refer hardware and Furniture part list for guidance.  
 Be sure all parts are complete, before you assembling. Place all wooden furniture part on a clean and flat soft surface to prevent scratches. Refer steps provided as assembling guide.

## CAUTIONS :

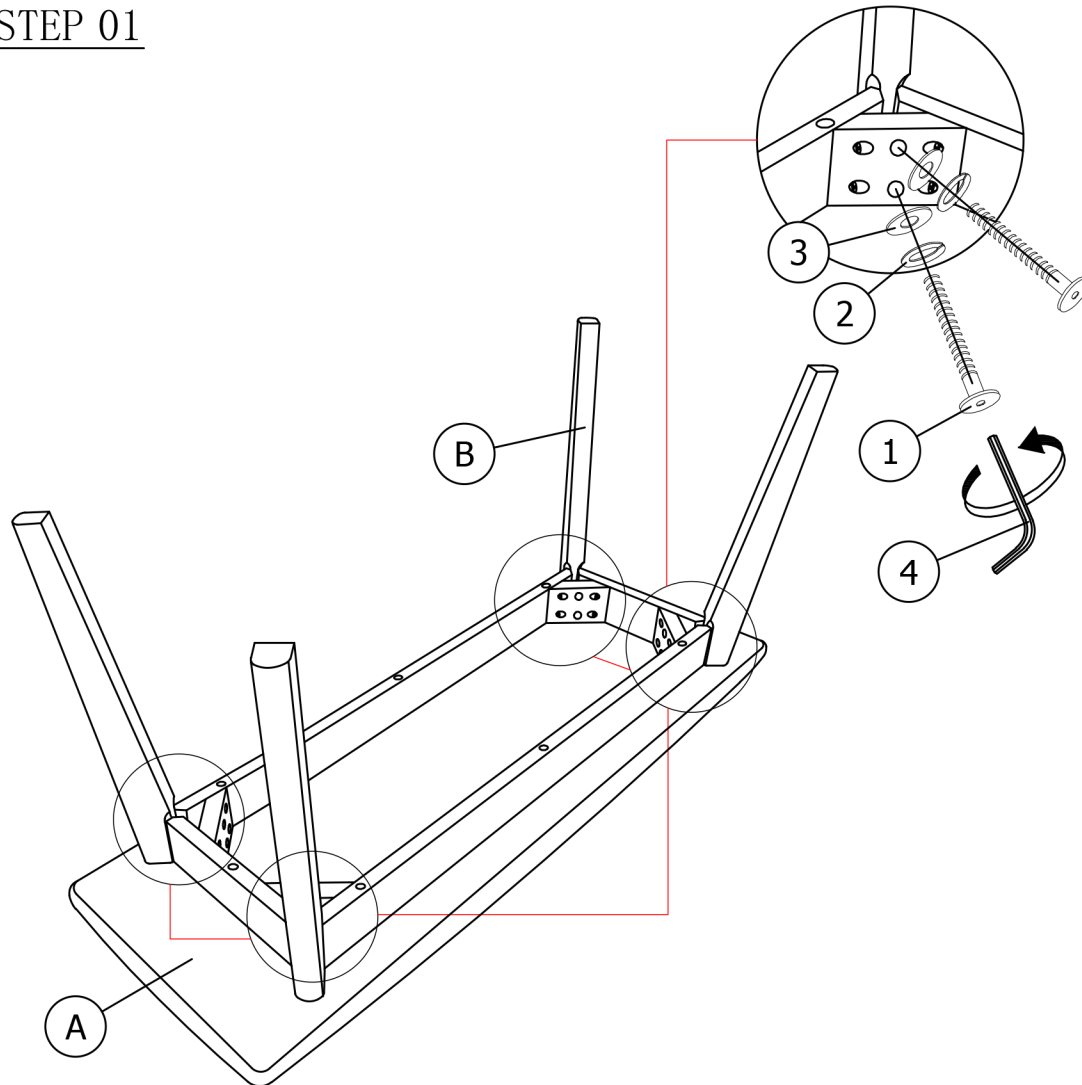
1. Do not FULLY - TIGHTEN the nuts or nut bolts until all nut and nut bolts until all are in place.
2. To prevent thread damage. Ensure that nuts or nut bolts are not over-tighten.
3. Hardware are to be kept out of reach from children.

NOTE: THE LIST AND QUANTITY SHOWN ARE FOR 1 UNIT ASSEMBLY.

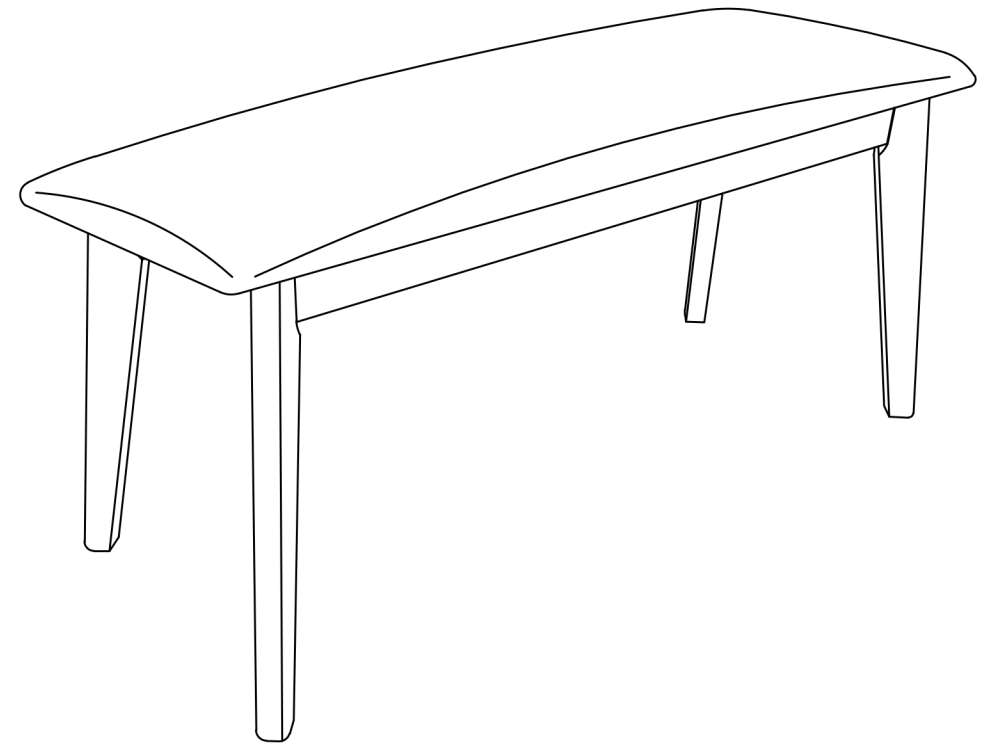
PART LIST		
ITEM	DESCRIPTION	QTY
A	CUSHION SEAT WITH APRON	1 PC
B	LEG	4 PCS

HARDWARE LIST		
ITEM	DESCRIPTION	QTY
1	JCBC SCREW M6 x 80MM 	8 PCS
2	SPRING WASHER M6 	8 PCS
3	FLAT WASHER M6 x 19MM 	8 PCS
4	ALLEN KEY M4 	1 PC

## STEP 01



## STEP 02



FULLY SET-UP (BENCH CHAIR)