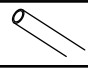







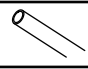









# Barn Door Hardware Installation Manual

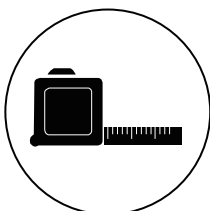
## ✂Check the Quantities

**Note:** If you encounter any problem with the package and the following installation, please email us at [info@winsoonhardware.com](mailto:info@winsoonhardware.com). Please also tell us your “**ORDER ID**,” we will solve any issues for you as soon as possible.

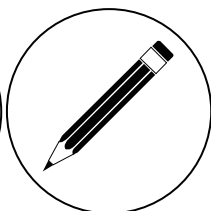
Single Door Hardware Kit Includes																			
Part Name	picture	4FT	5FT	5.5FT	6FT	6.6FT	7FT	7.5FT	8FT	9FT	10FT	11FT	12FT	13FT	14FT	15FT	16FT	17FT	18FT
Track		1	1	1	1	1	1	1	2	2	2	2	2	2	2	2	3	3	3
Hanger		2	2	2	2	2	2	2	2	2	2	2	2	2	2	2	2	2	2
Floor guide		1	1	1	1	1	1	1	1	1	1	1	1	1	1	1	1	1	1
Door Stopper		2	2	2	2	2	2	2	2	2	2	2	2	2	2	2	2	2	2
Tube Plug		2	2	2	2	2	2	2	2	2	2	2	2	2	2	2	2	2	2
Spacer		3	3	4	4	4	5	5	6	6	6	8	8	8	10	10	10	11	12
Junction Plate		0	0	0	0	0	0	0	1	1	1	1	1	1	1	1	2	2	2
Hex Wrench		1	1	1	1	1	1	1	1	1	1	1	1	1	1	1	1	1	1

Double Door Hardware Kit Includes																			
Part Name	picture	4FT	5FT	5.5FT	6FT	6.6FT	7FT	7.5FT	8FT	9FT	10FT	11FT	12FT	13FT	14FT	15FT	16FT	17FT	18FT
Track		1	1	1	1	1	1	1	2	2	2	2	2	2	2	2	3	3	3
Hanger		4	4	4	4	4	4	4	4	4	4	4	4	4	4	4	4	4	4
Floor guide		2	2	2	2	2	2	2	2	2	2	2	2	2	2	2	2	2	2
Door Stopper		4	4	4	4	4	4	4	4	4	4	4	4	4	4	4	4	4	4
Tube Plug		2	2	2	2	2	2	2	2	2	2	2	2	2	2	2	2	2	2
Spacer		3	3	4	4	4	5	5	6	6	6	8	8	8	10	10	10	11	12
Junction Plate		0	0	0	0	0	0	0	1	1	1	1	1	1	1	1	2	2	2
Hex Wrench		1	1	1	1	1	1	1	1	1	1	1	1	1	1	1	1	1	1

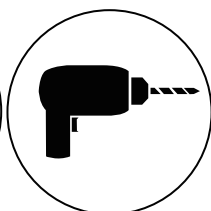
## ● Installation Tools



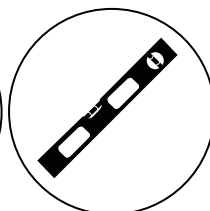
Ruler



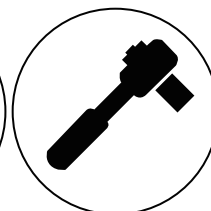
Pencil



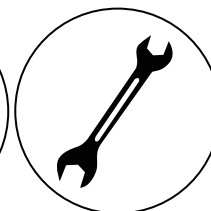
drill



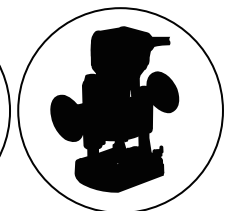
Level



Wrench

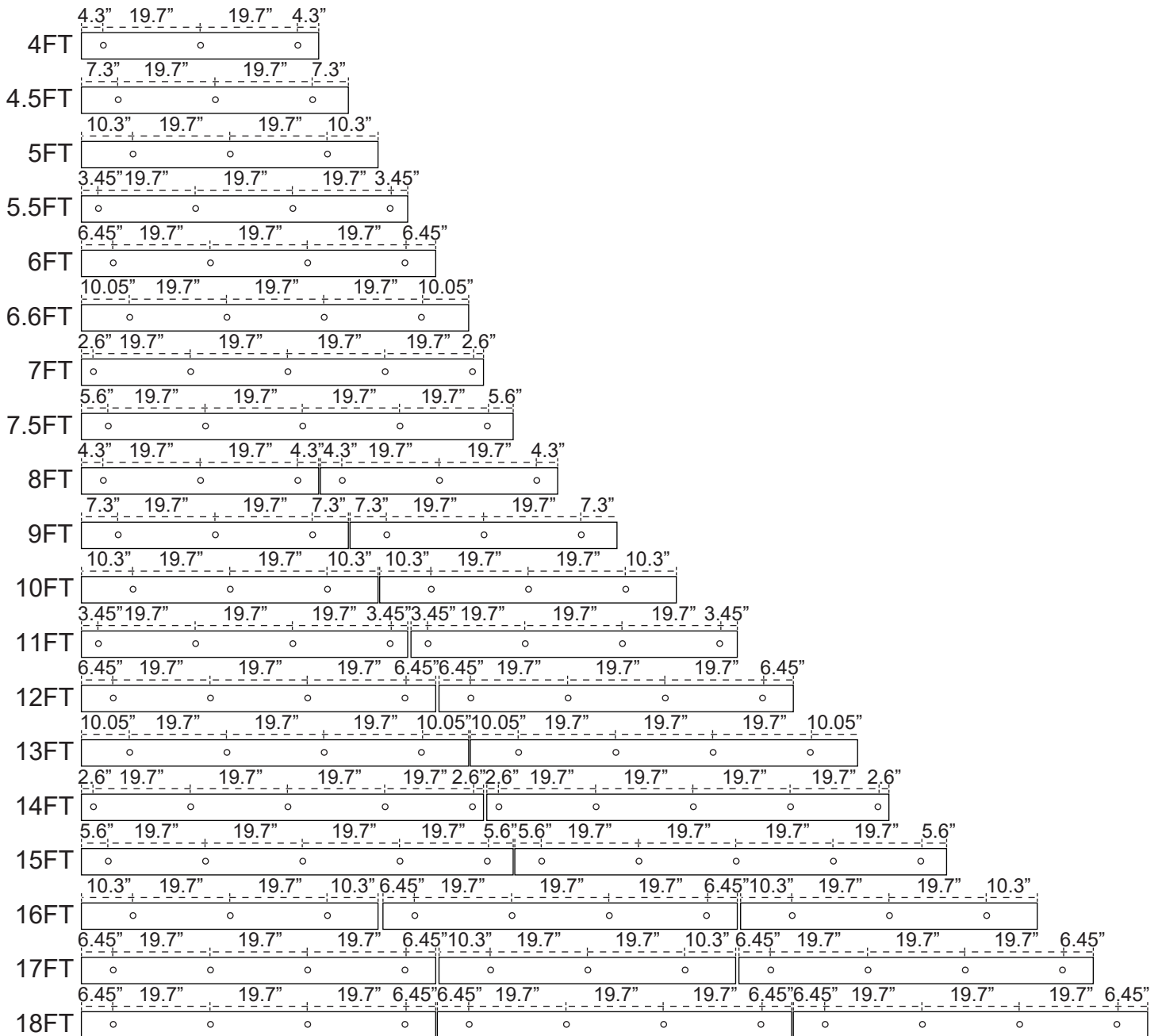


Ratchet



Router

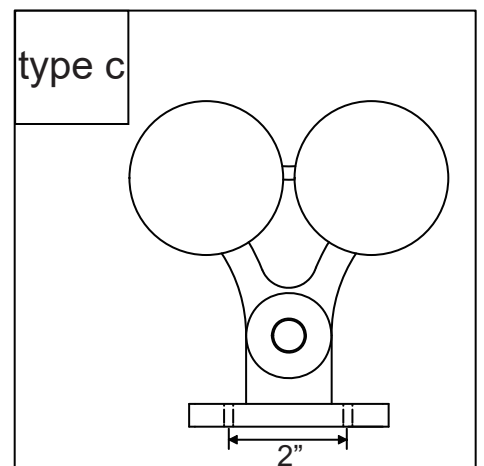
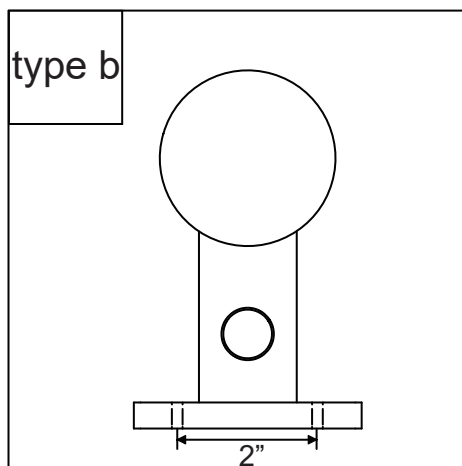
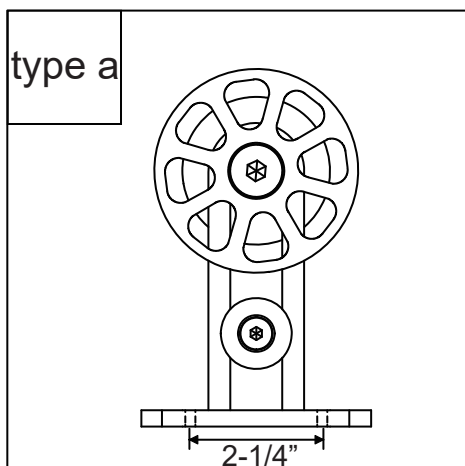
# ✂Chart: Track Junction



## Prepare Your Doors

### ● Steel Hanger Installation Dimensions

**Note:** Find the installation dimensions for your Steel Hanger style in the chart below:

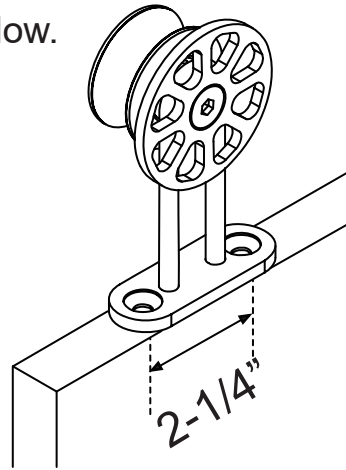


## ※Hardware Installation

### Step 1: Attach Steel Hangers to Your Doors

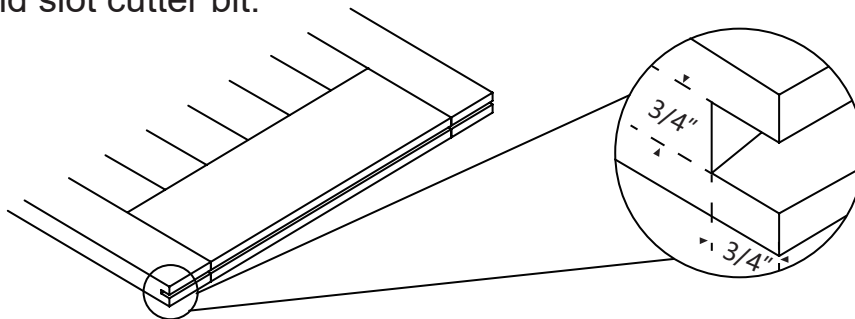
a. Please choose the correct roller installation according to your roller shape on page 2 above and the illustration below.

b. Attach Hangers as shown below.



### Step 2: Cut Floor Guide Slot At The Bottom Of The Door

Cut a 3/4" wide, 3/4" deep slot at the bottom of the door. Recommended: Cut the slot with a router and slot cutter bit.

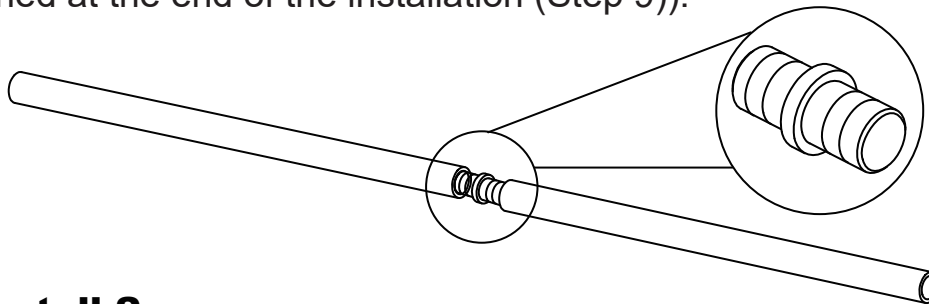


## Prepare and Install the Tracks

### Step 3: Connect Tracks And Install Door Stoppers

a. Connect your tracks with junction plates if needed.

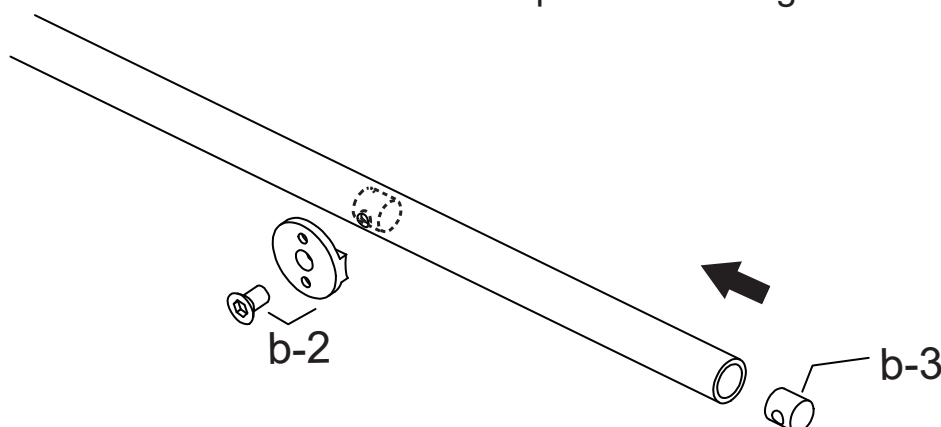
b. Loosely install the Door Stoppers near each end of the track (final positioning will be determined at the end of the installation (Step 9)).



### Step 4: Install Spacers

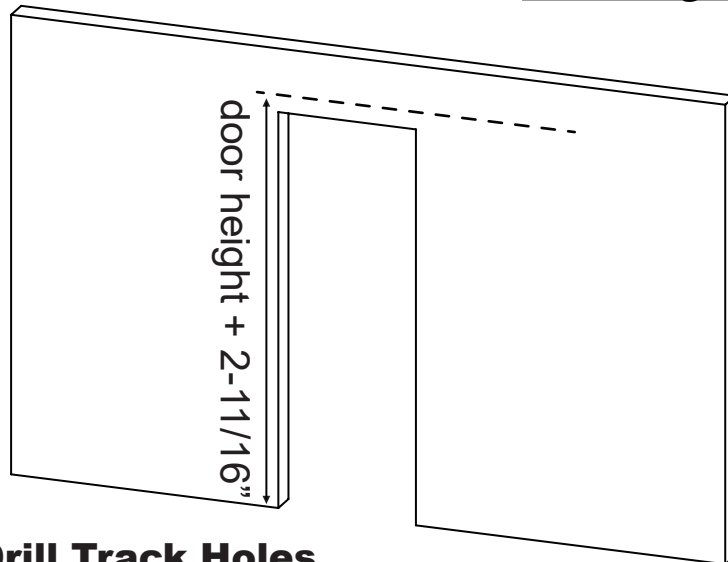
a. Putting the b-3 into the rail and make the hole direction of b-3, rail and b-2 is consistent.

b. Installing in order from inside to outside to prevent missing the hole.



### Step 5: Draw Line for the Track

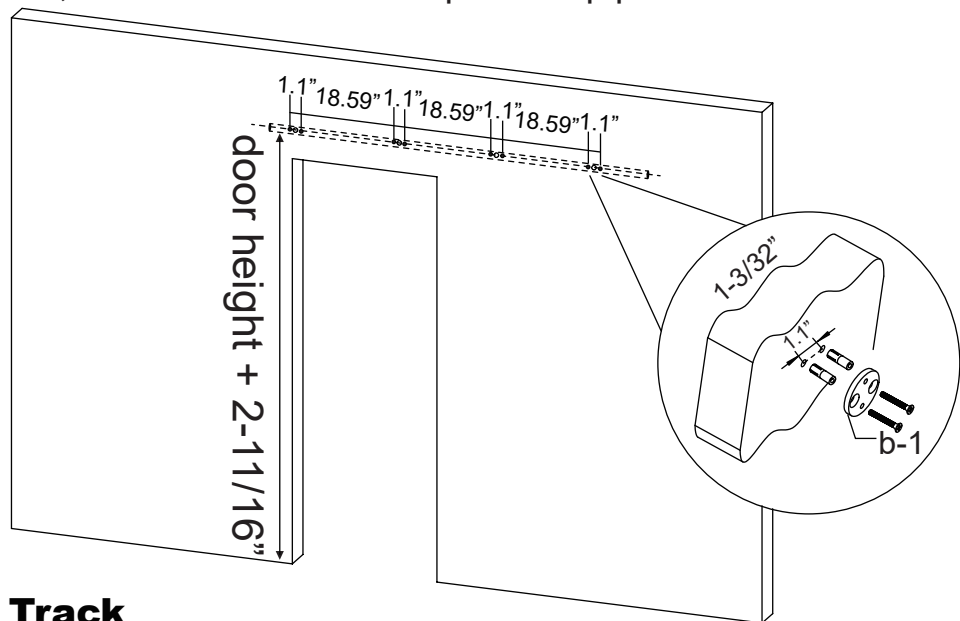
Using a level, draw a line to install the Track, at the door height + 2-11/16" above the floor.



### Step 6: Mark and Drill Track Holes

a. Line up a Track on the line and mark the location of the holes.

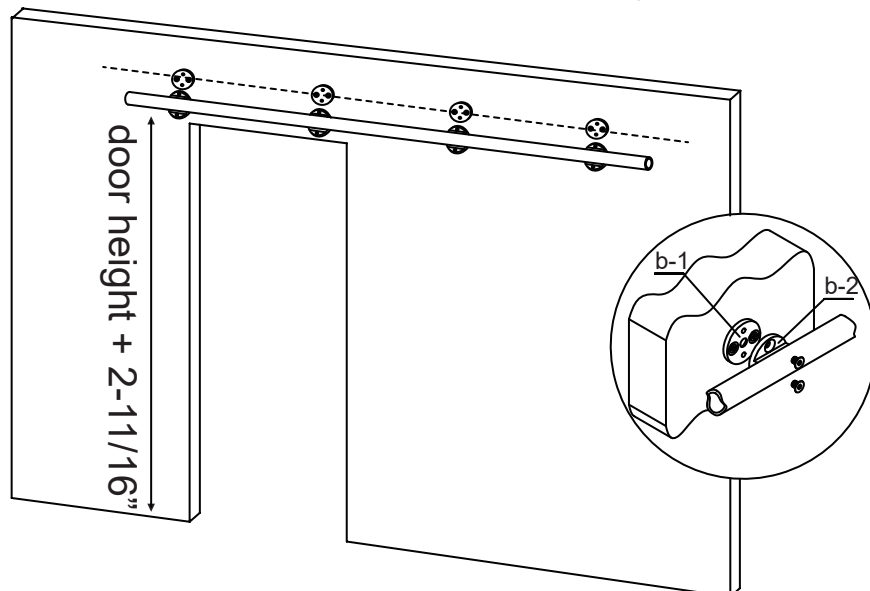
b. Punch all the marked positions into the wall with impact drill, put the expansion pipes into the holes created, then punch the pipe pins into the wall until the expansion pipes expand at their ends, screw b - 1 into the expansion pipe.



### Step 7: Install The Track

a. Overlapping b - 1 and b - 2 and tighten to fix the rails to the wall.

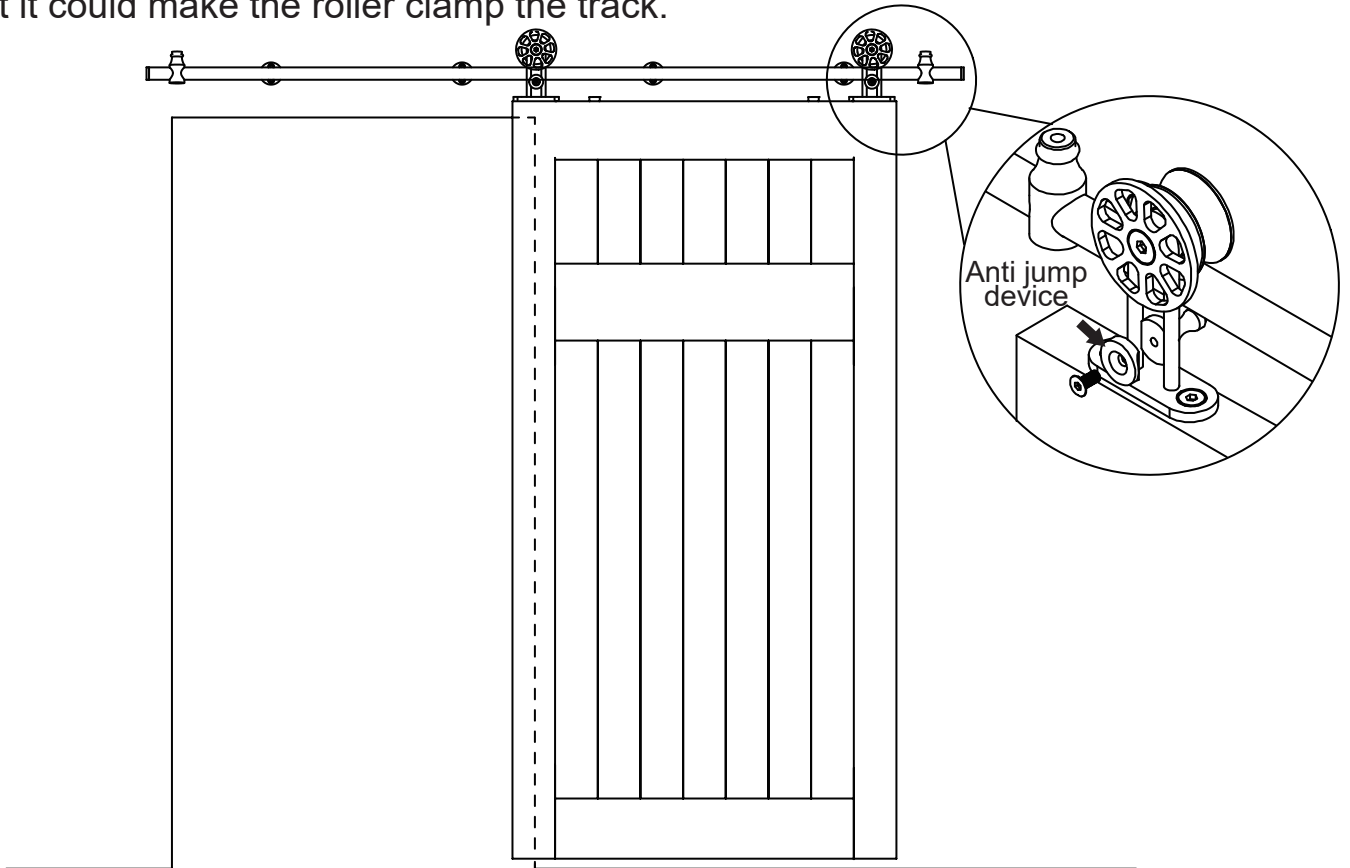
b. Now you have installed the track on the wall successfully.



# Hanging and Positioning Doors

## **Step 8: Install Your Doors**

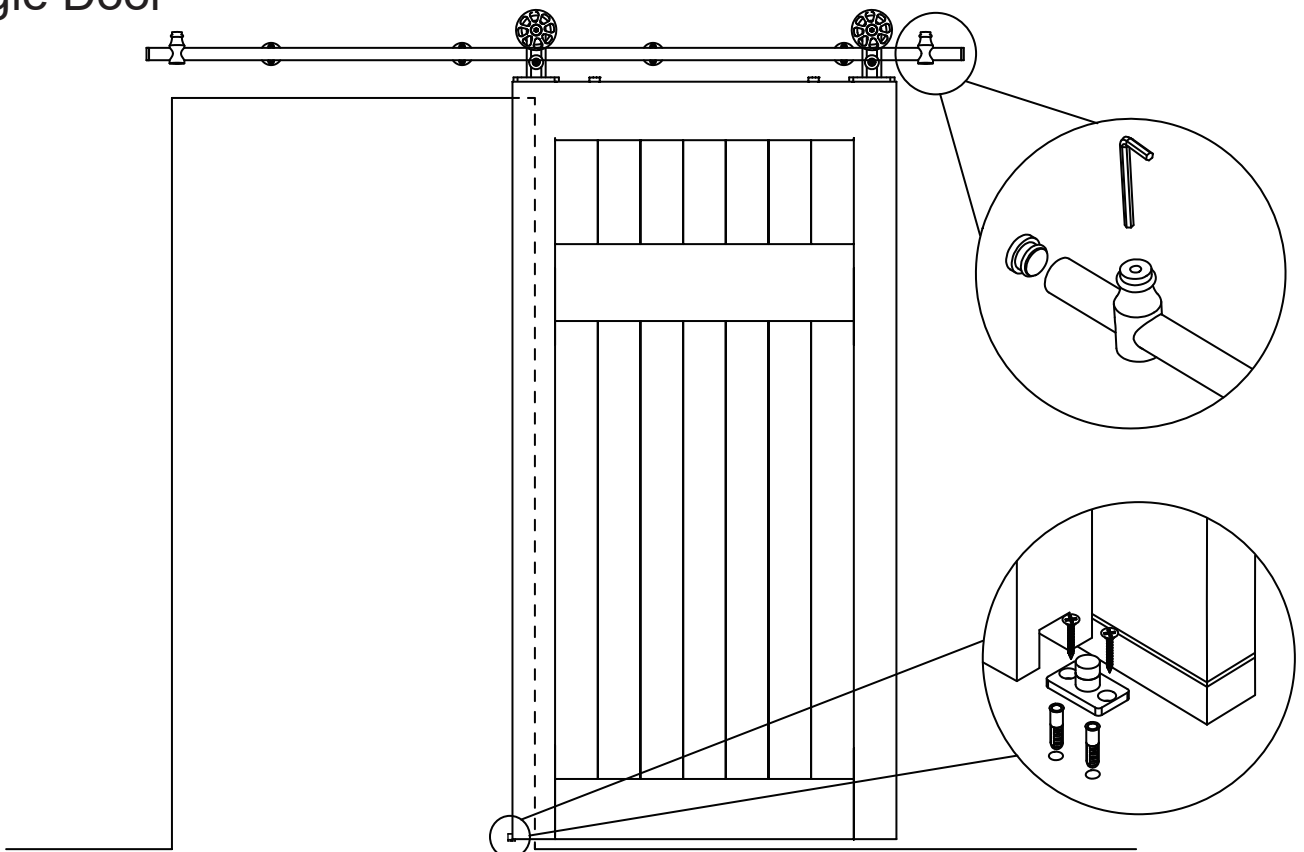
Hang your Steel Hangers on the Track, and then adjust the anti-jump bar up or down so that it could make the roller clamp the track.



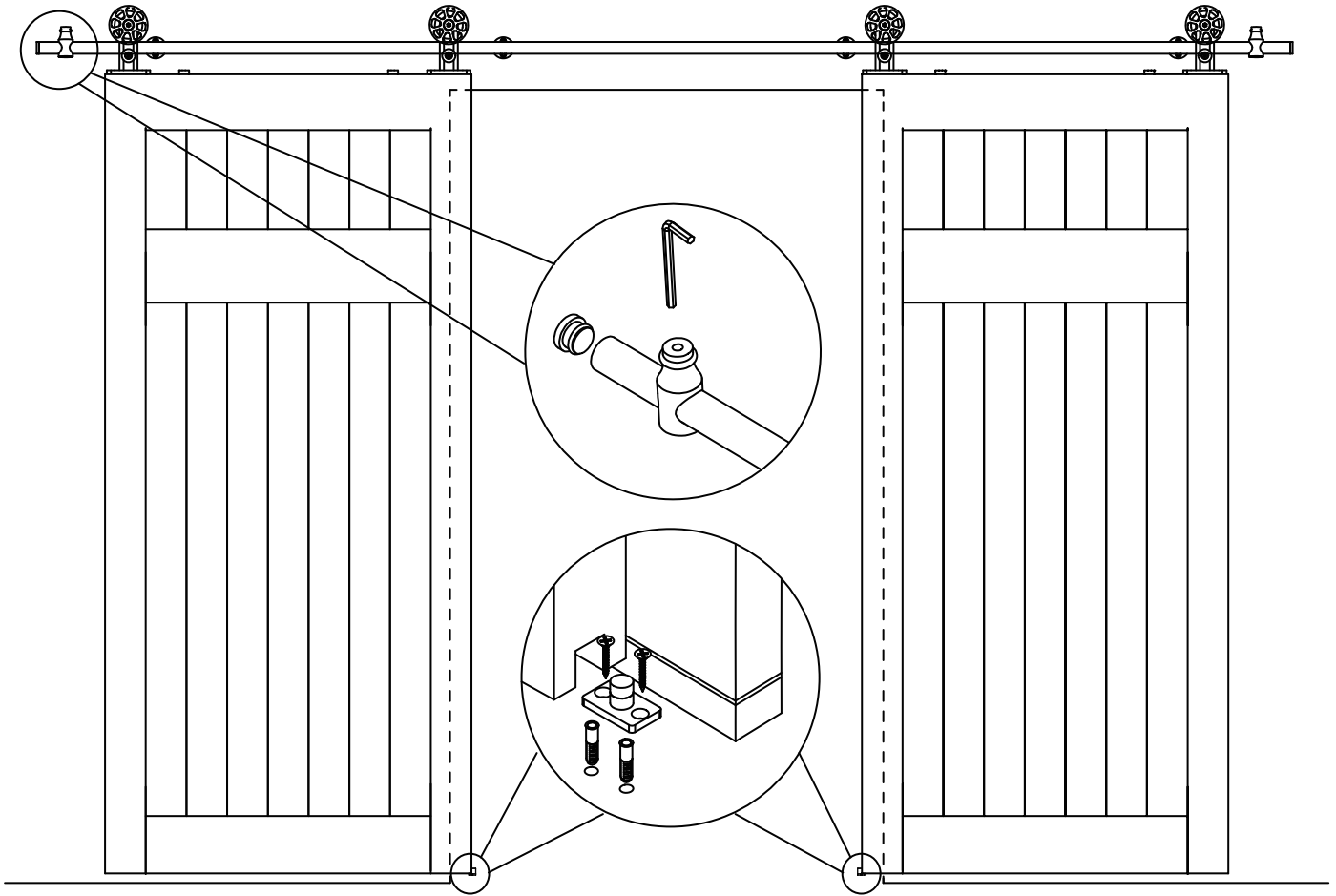
## **Step 9: Install the Floor Guide**

Position the door at your desired close position, put half of the floor guide under the door, mark the location, and then fix guide to the floor. Position doors in your desired closed and open position and adjust Door Stoppers.

### Single Door



# Double Door



## WARNING

- Failure to wear proper safety gear (i.e., eye protection) may result in serious injury or death. Always wear proper safety gear before using power tools.
- Improper operation of power tools may result in loss of control, serious injury or death. Always ensure you have complete control of the power tool and the work area is free of hazards before operating a power tool.
- Lack of secure clamping of the door may result in unexpected movement of the door, loss of power tool control and serious injury or death. Always securely clamp the door in place before cutting, or drilling, the door.
- Lack of, or improperly installed Anti-jump Disc may result in the door coming off the track and cause serious injury or death. Installation of Anti-jump Discs are required for safe operation of this hardware. Installed properly, these discs will keep the door securely attached to the track.

## CAUTION

- Mishandling of heavy objects (i.e., doors) may cause a loss of balance and serious injury. Always be sure you have a secure hold on the object and are balanced before moving the object. Always wear safety shoes when lifting heavy objects.
- Getting body parts (i.e., hair, fingers) caught in moving parts may cause pinching and serious injury. Do not put fingers in parts that may move and always remove or contain anything on your body that may become entangled with a moving part.
- Closing sliding doors with your hand on the end of the door may result in your hand, or fingers, getting caught between the door and other solid objects (i.e., another door, molding) causing serious injury. Always use the door handle to close doors.

### Usage Statement:

Use of excessive force when opening, and closing, the door(s) may result in damage to the hardware. Always hold the handle and gently open and close the door(s).

### Warranty Statement:

5 year straight unconditional warranty service enables every single hardware's durability coverage during its life time.

[www.winsoonhardware.com](http://www.winsoonhardware.com)