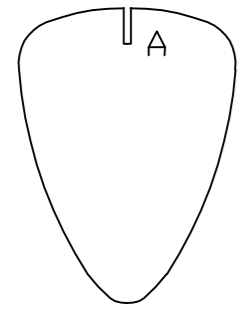
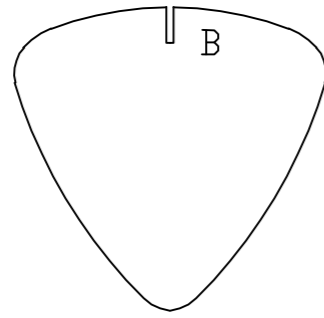
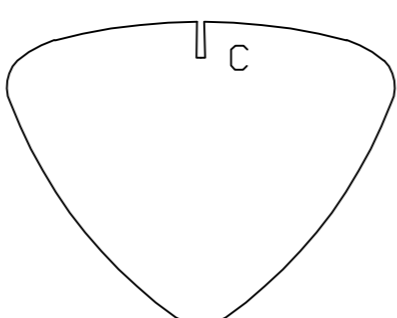
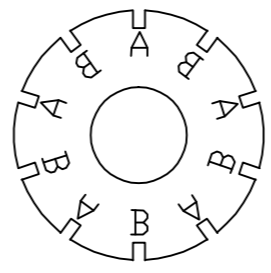
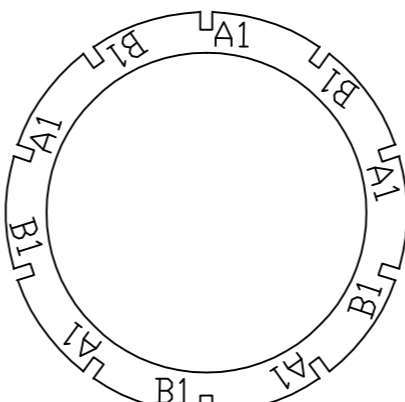
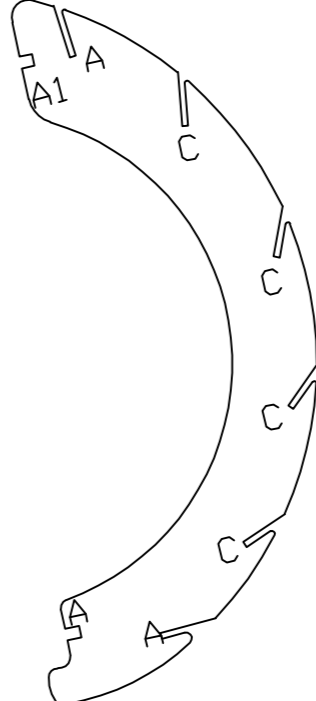
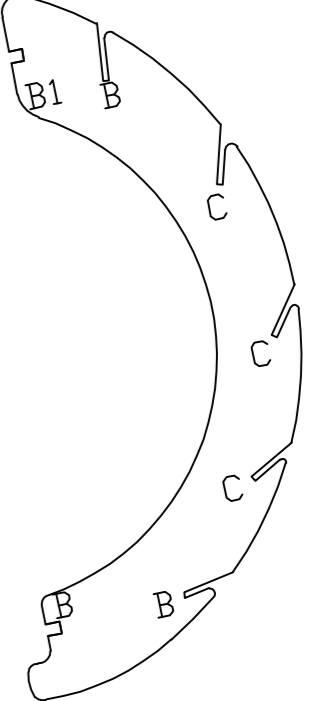
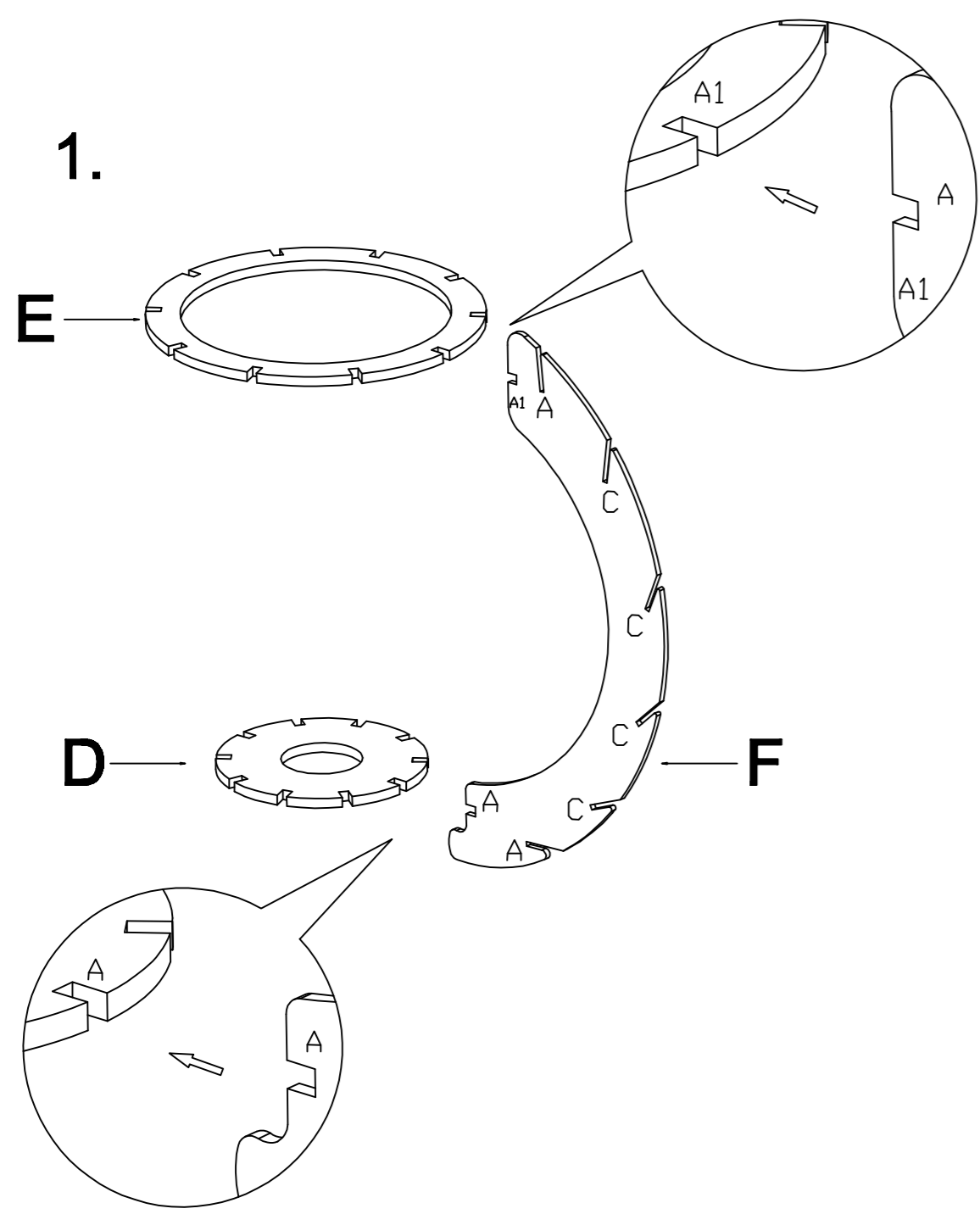
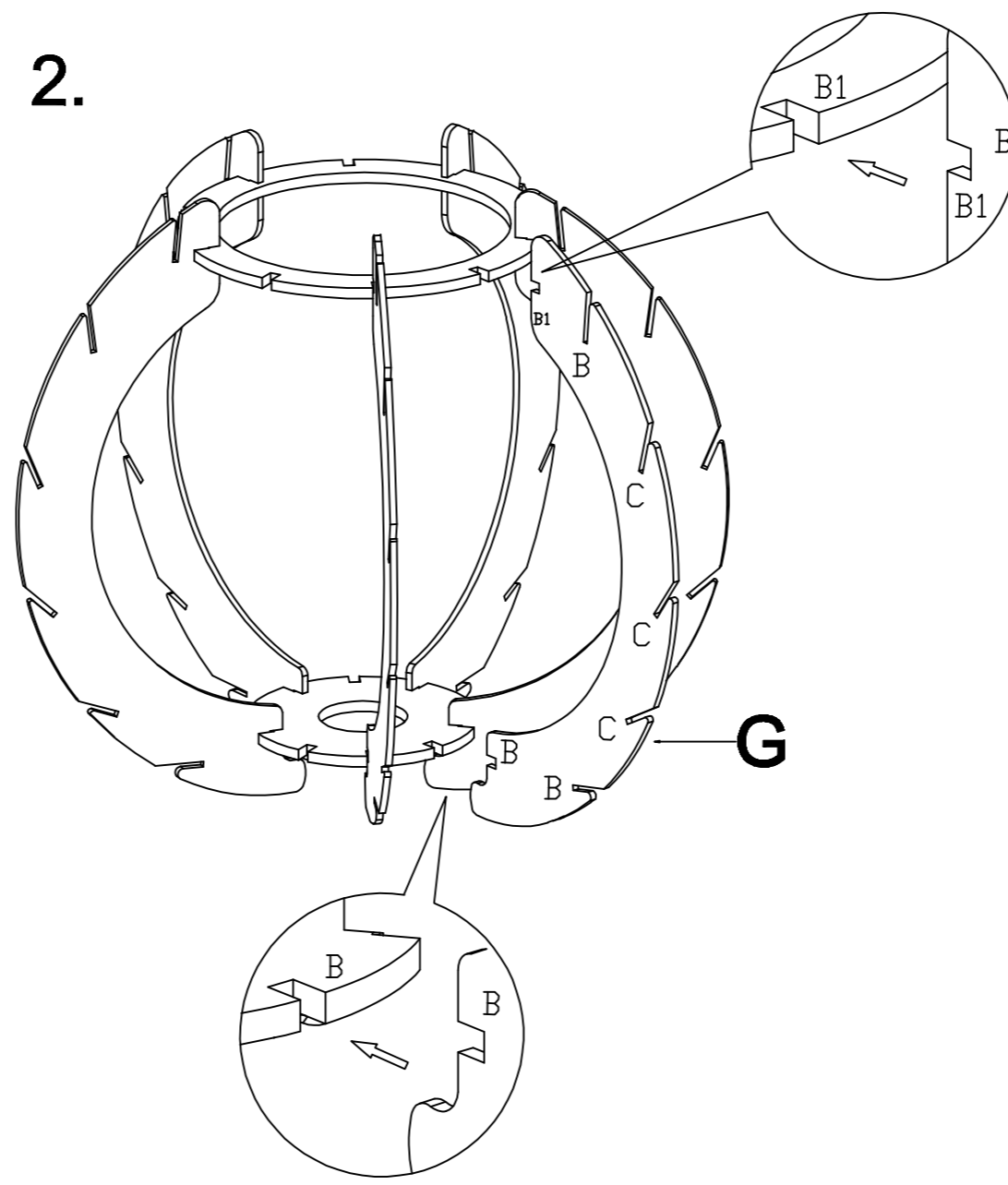


# Artichoke Floor Lamp Shade Assembly Instructions

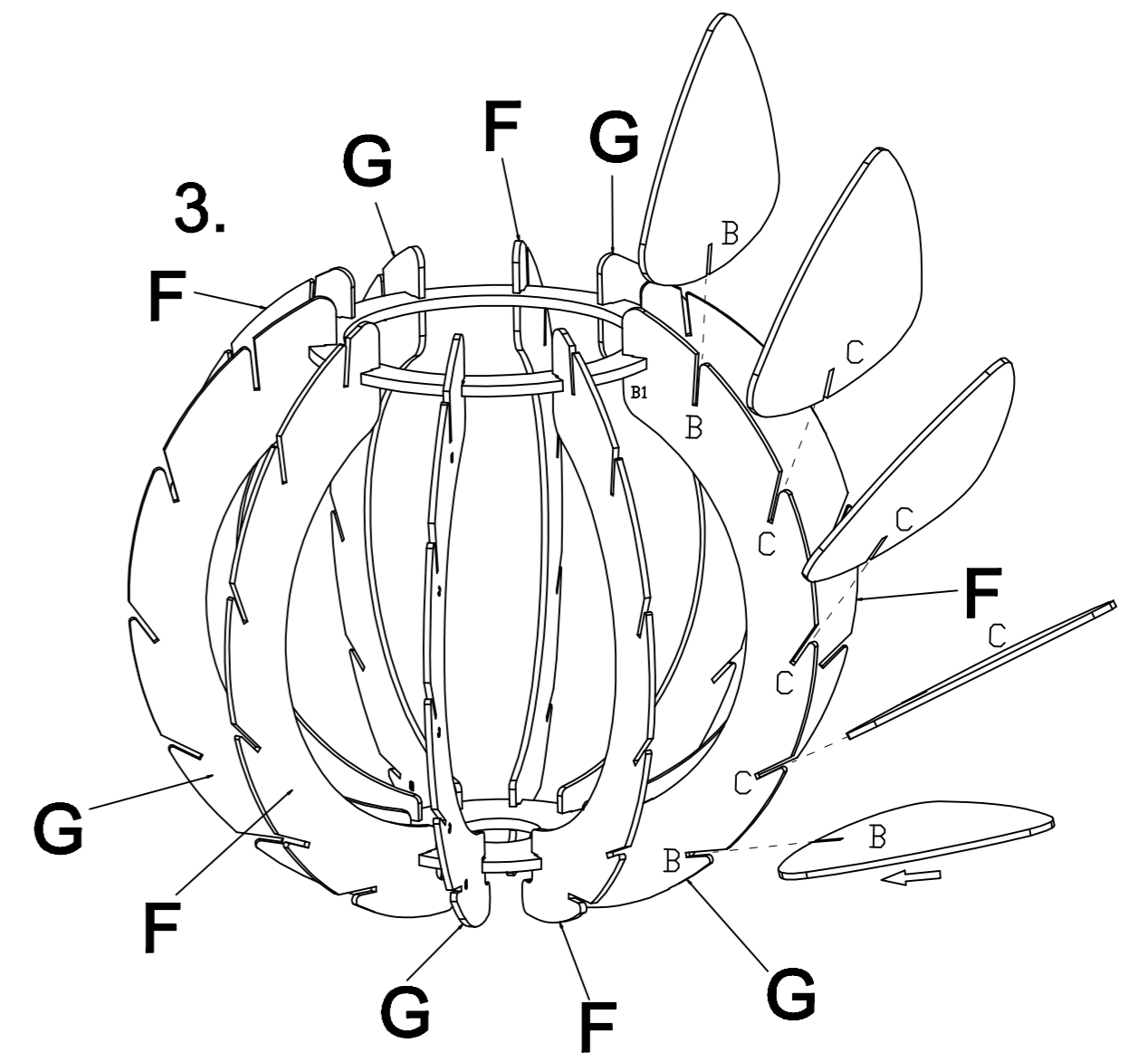
A: Leaf	B: Leaf	C: Leaf	D: Bottom circle	E: Top Circle	F:A1/A Side Piece	G:B1/B Side Piece
						
10 PCS	10 PCS	35 PCS	1 PC	1 PC	5 PCS	5 PCS



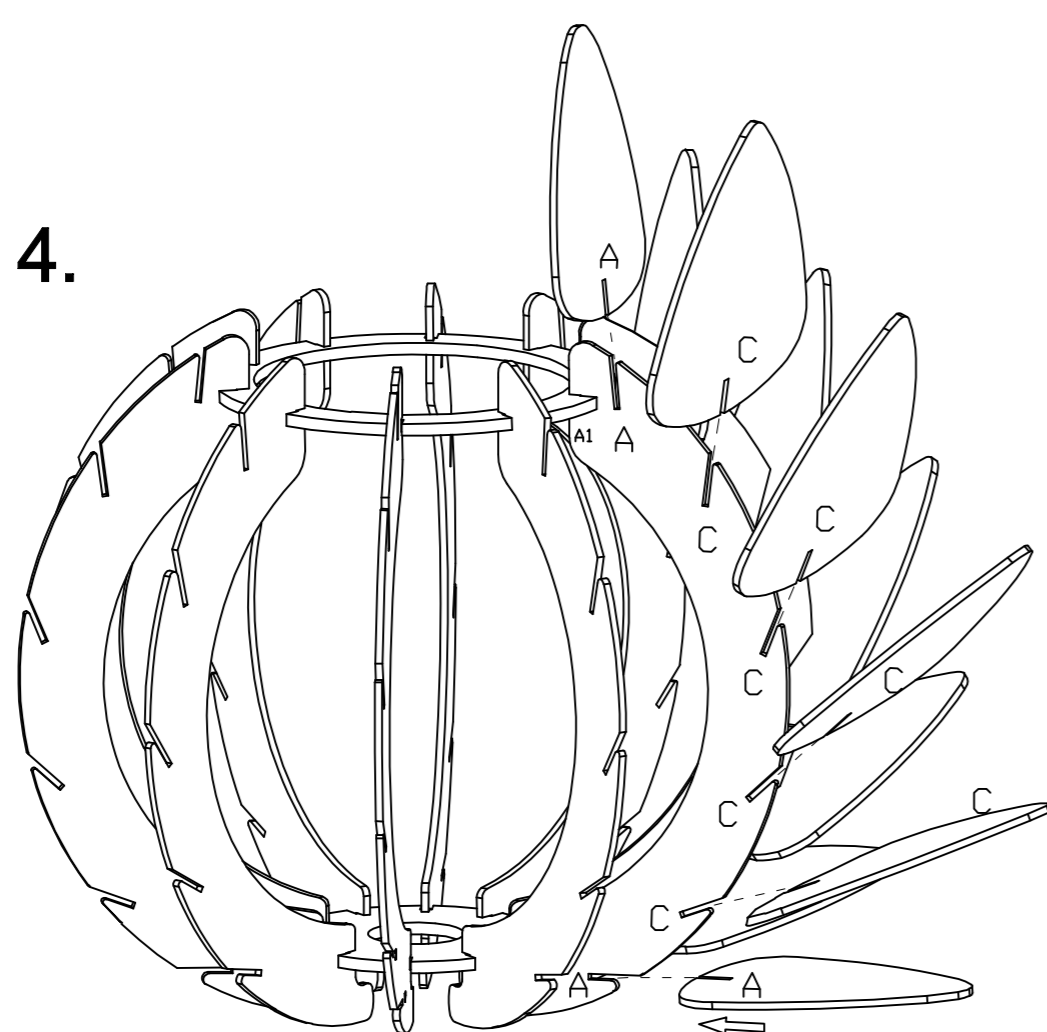
1. Find each side piece (F) marked "A1" / "A". Match the "A1" on each side piece (F) to the "A1" in every other slot along the top ring (E) and match the "A" on each side piece (F) to the "A" in every other slot along the bottom ring (D). Make sure that each piece fits snugly.



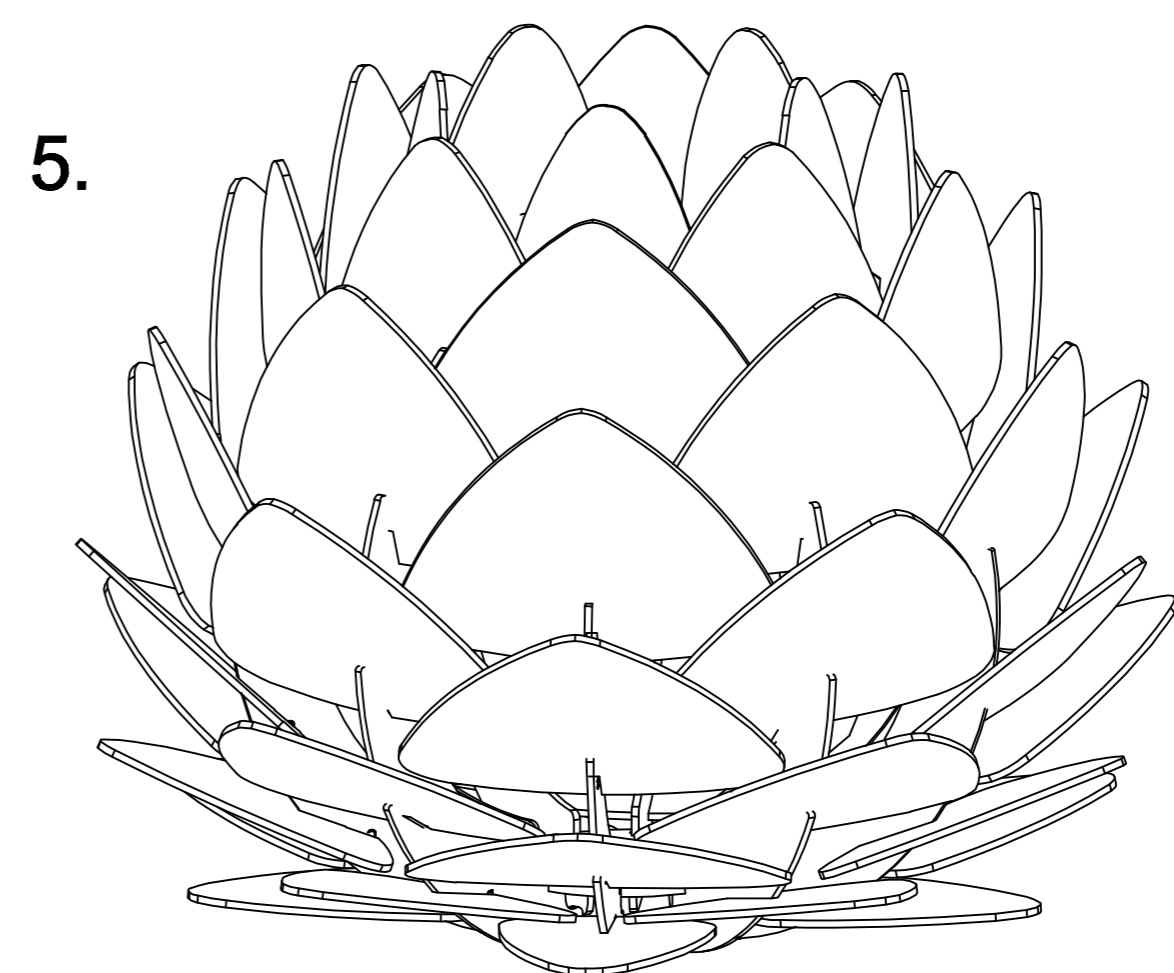
2. Find each side piece (G) marked "B1" / "B". Match the "B1" on each side piece (G) to the "B1" in every other slot along the top ring (E) and match the "B" on each side piece (G) to the "B" in every other slot along the bottom ring (D). Make sure that each piece fits snugly.



3. Place a large leaf (C) into every slot marked "C" along the side pieces (F & G).



4. Place a wide leaf (B) into every slot marked "B" along the side pieces (G) marked "B1" / "B". Place a narrow leaf (A) into every slot marked "A" along the side pieces (F) marked "A1" / "A".



5. Your Artichoke lamp shade is now finished.