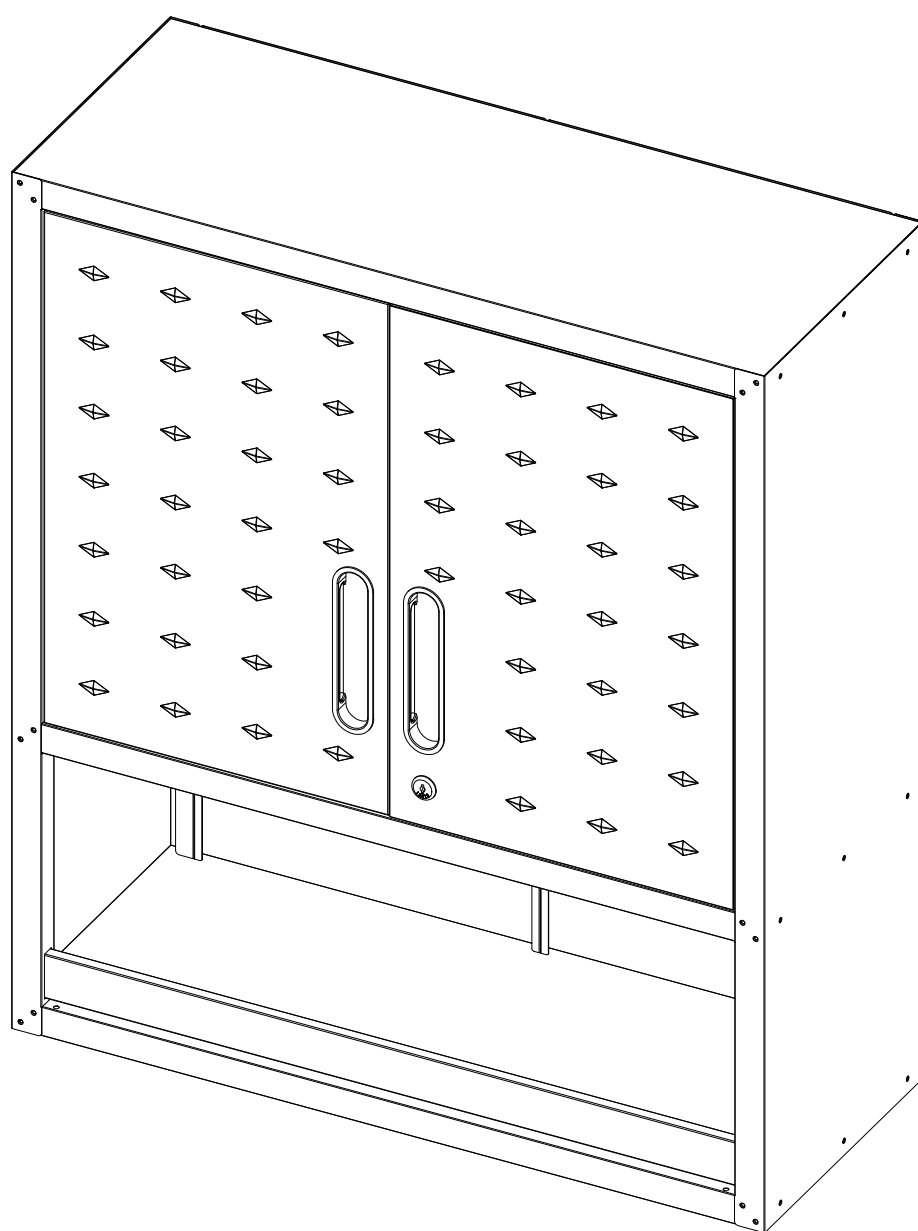
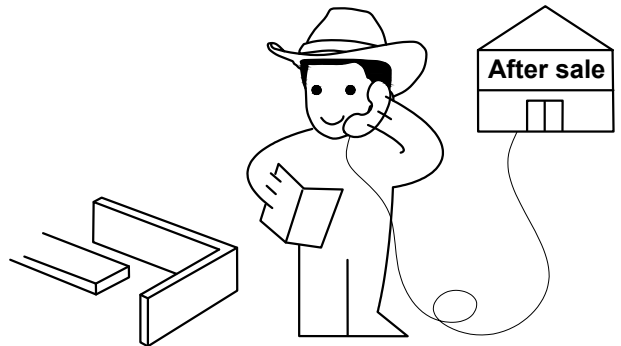
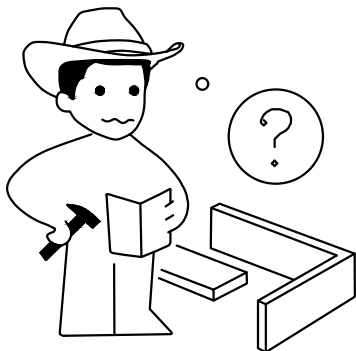
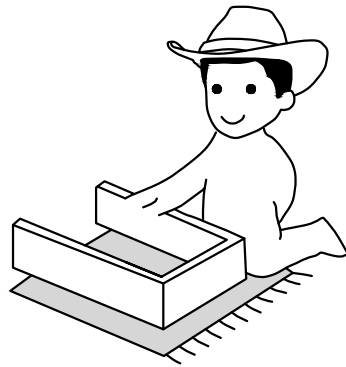
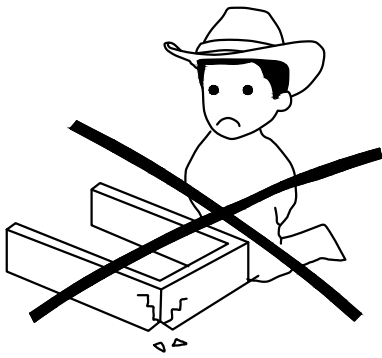
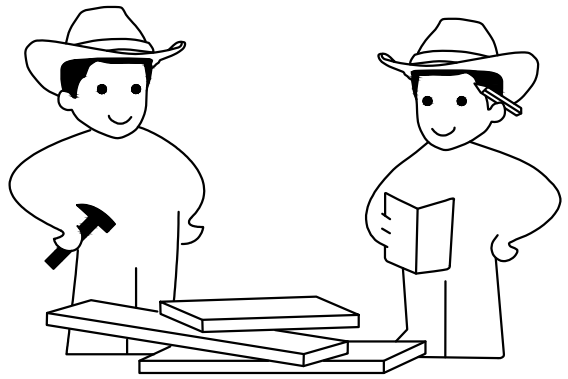
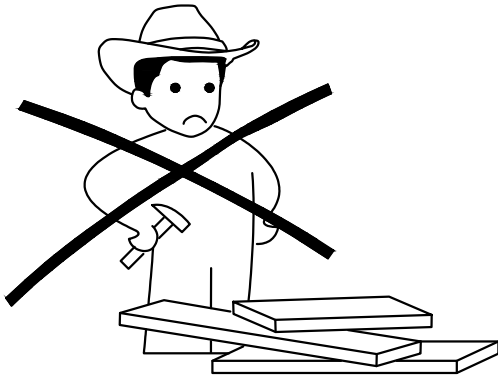
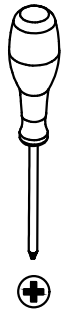
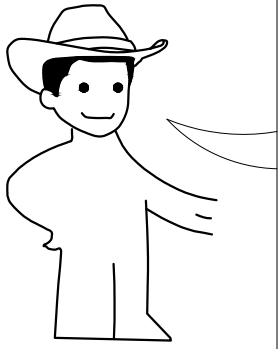
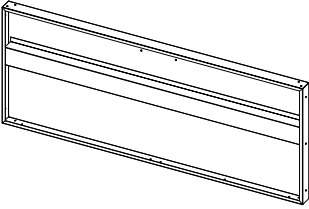
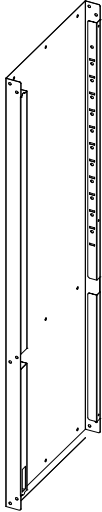
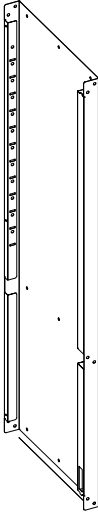
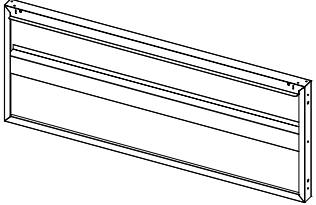
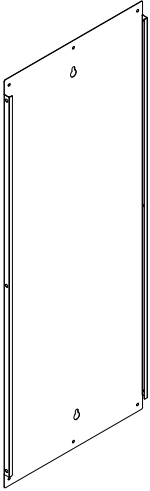
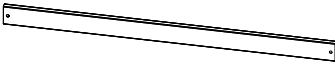
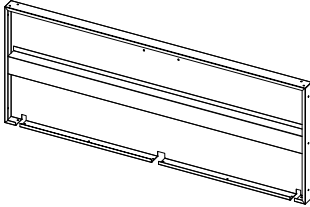
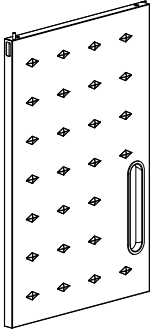
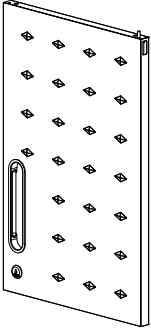
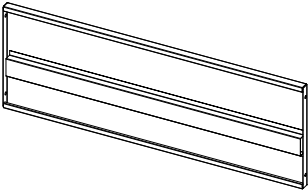

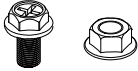
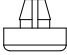

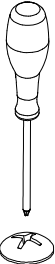

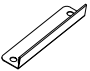
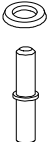
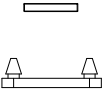

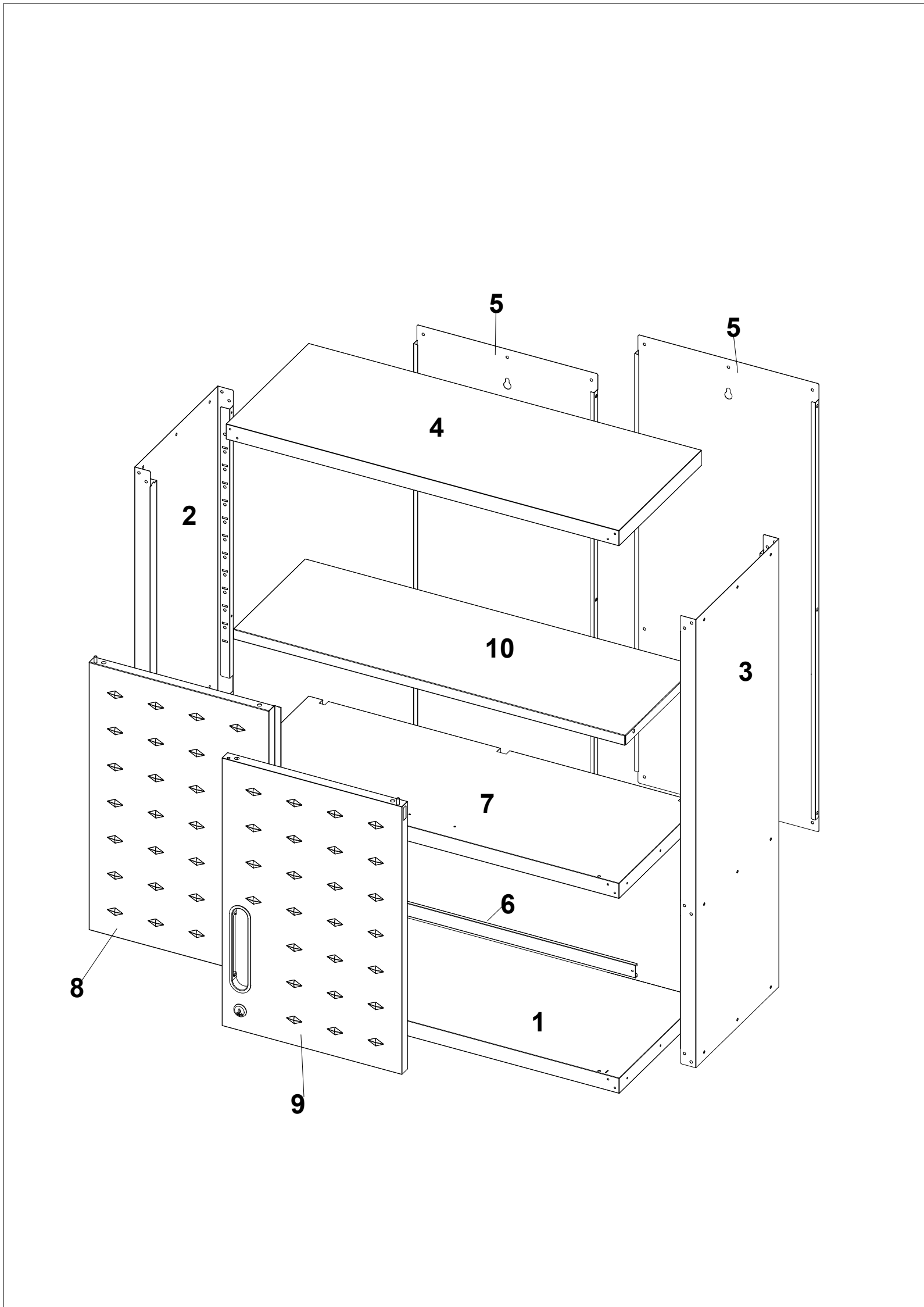


Installation & Assembly



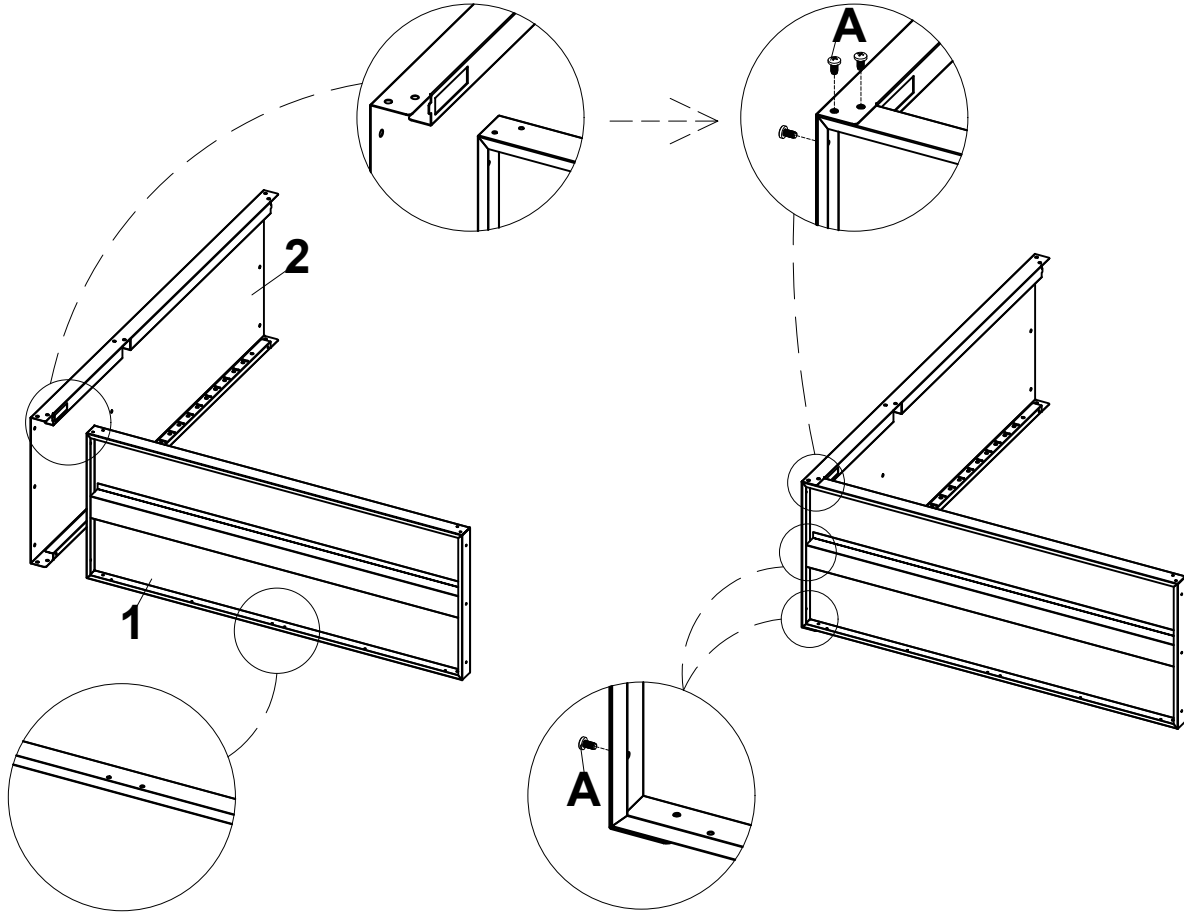


1x1	2x1	3x1	4x1		
					
5x2	6x1	7x1	8x1		
					
9x1	10x1	Ax64	Cx3	Fx4pcs	Qx4
		 M4x 8mm 0.3inch			
Sx1	Rx2	Ux4	Vx4		
			 M8 O M5 M5x40 mm		

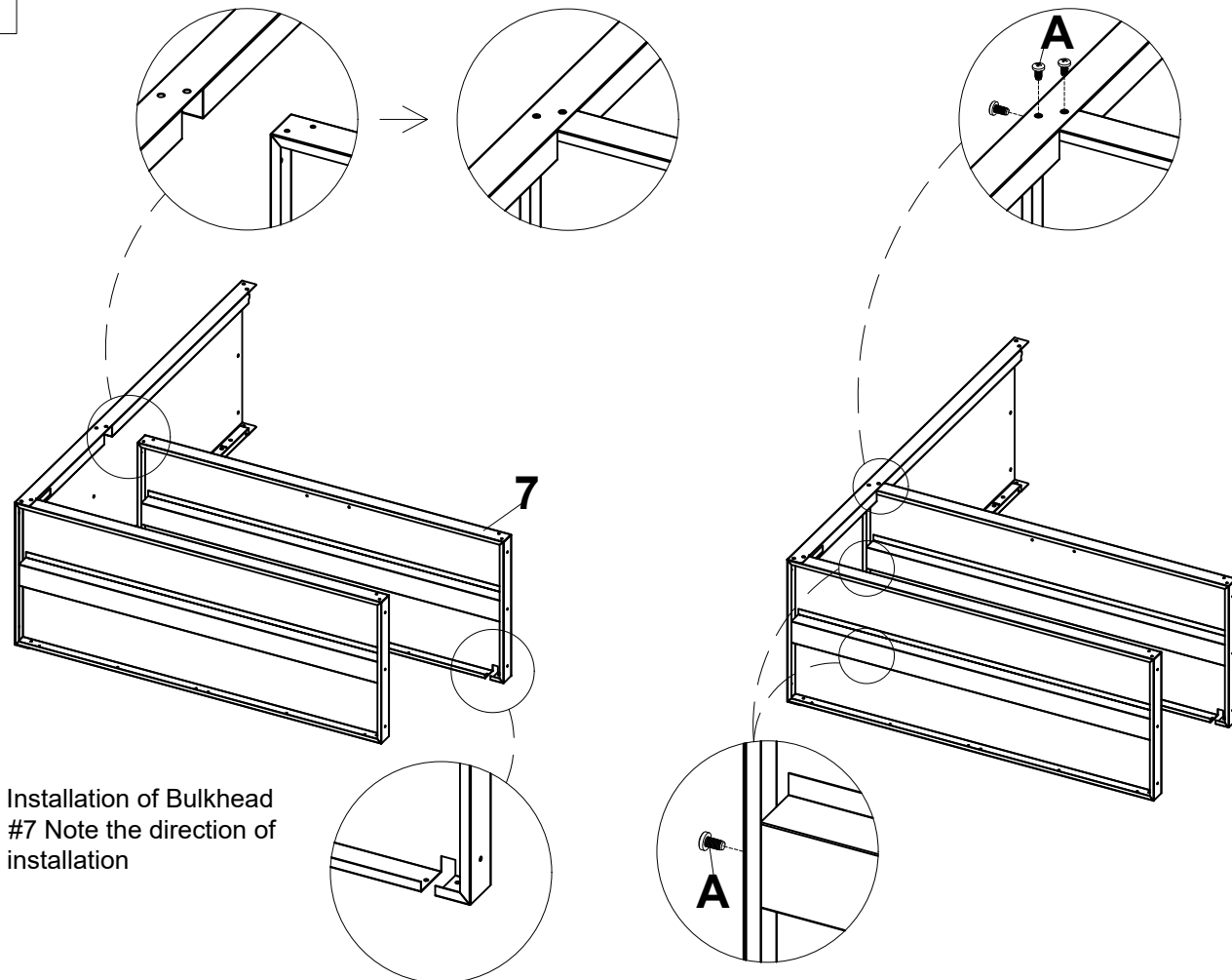


1

Align the lower buckle of side panel 2 with the slot at the top of the toolbox bottom plate, and then lower it down so that side panel 2 is stuck at the top of the toolbox floor



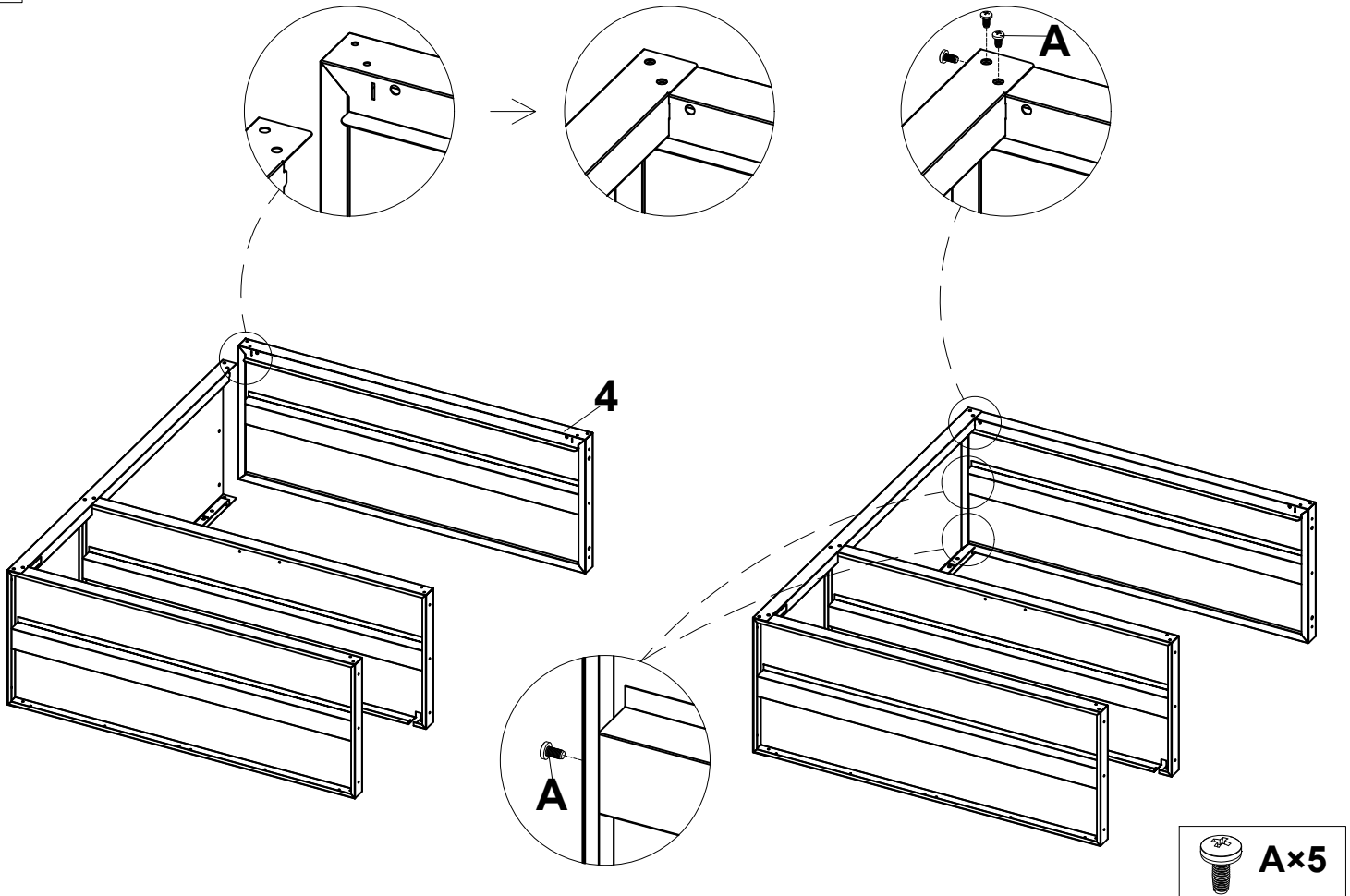
2



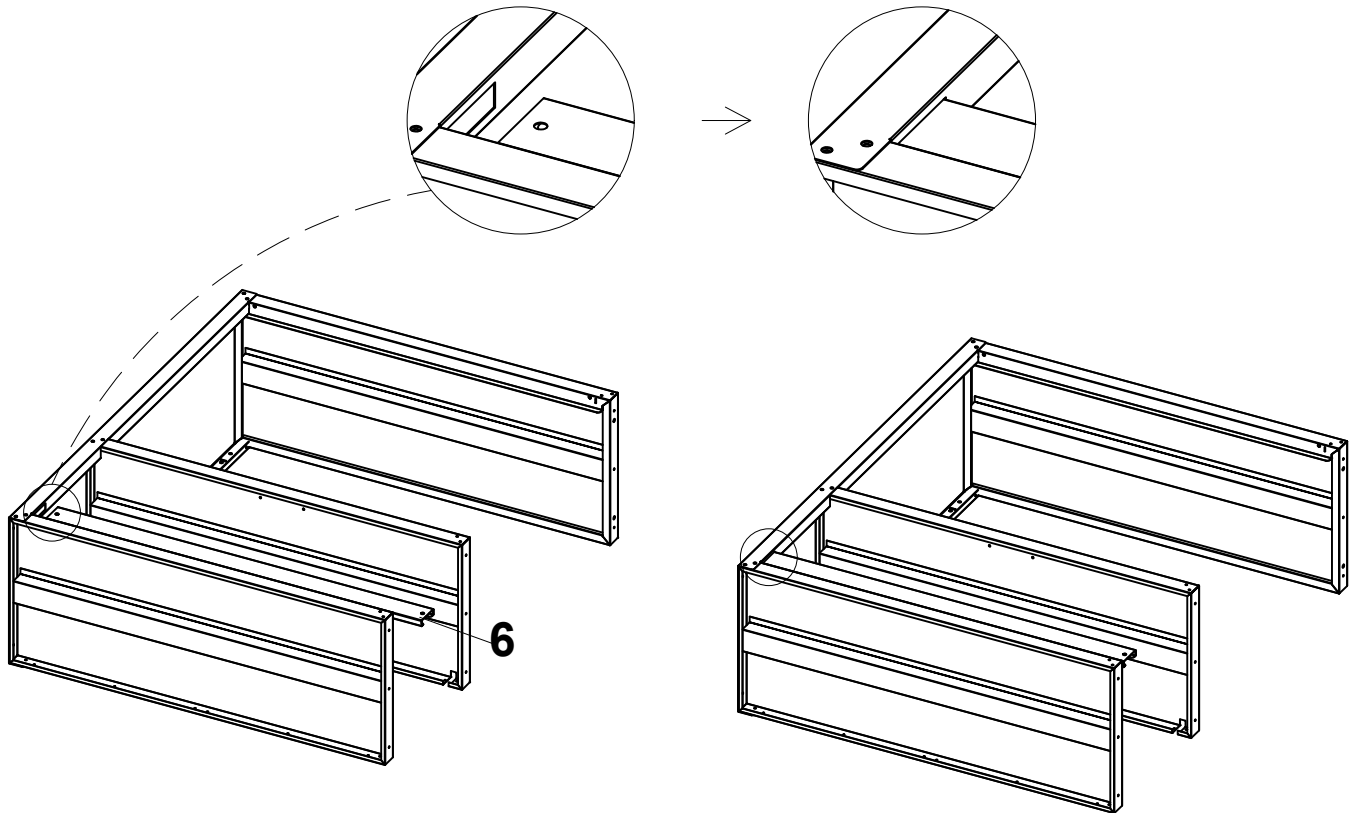
Installation of Bulkhead #7 Note the direction of installation



3

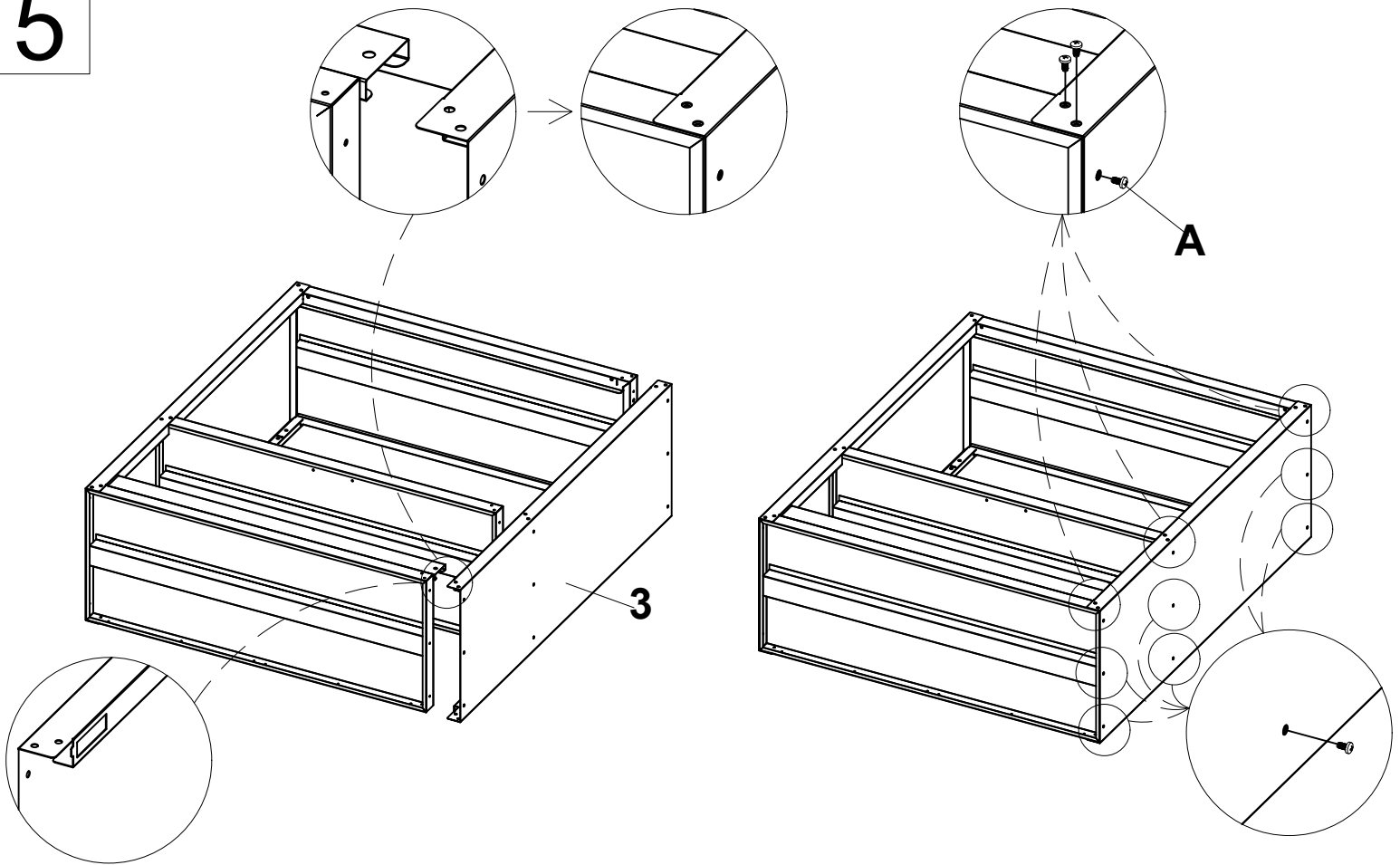


4



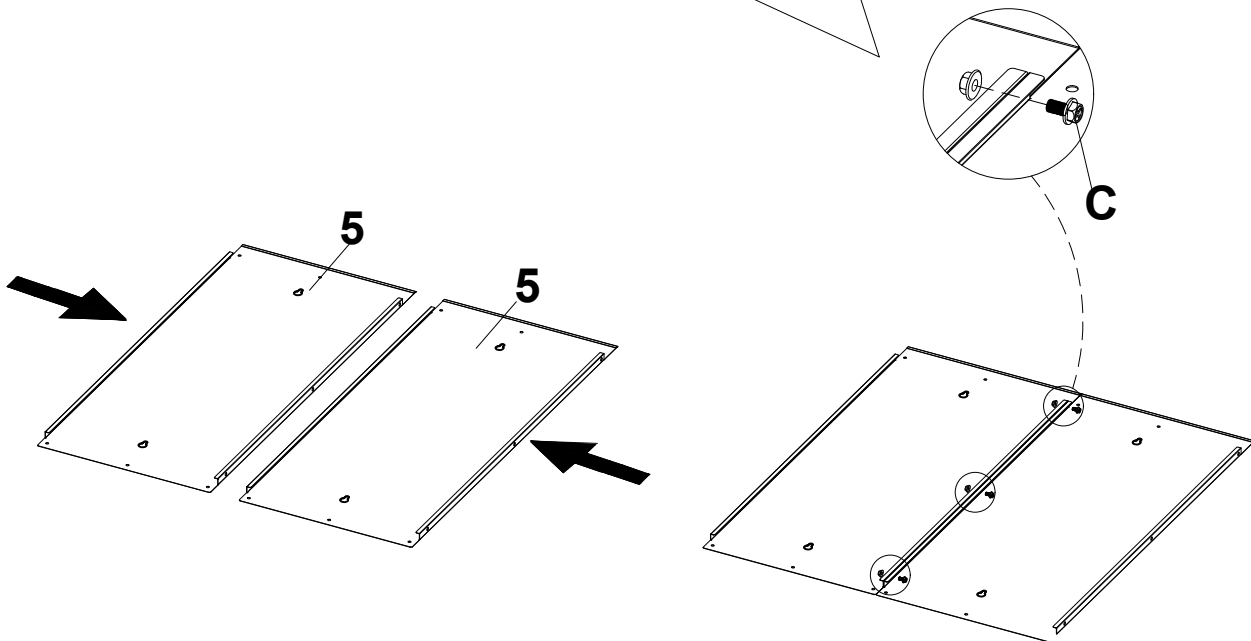
Installation of #6 crossbar Note the direction of installation

5

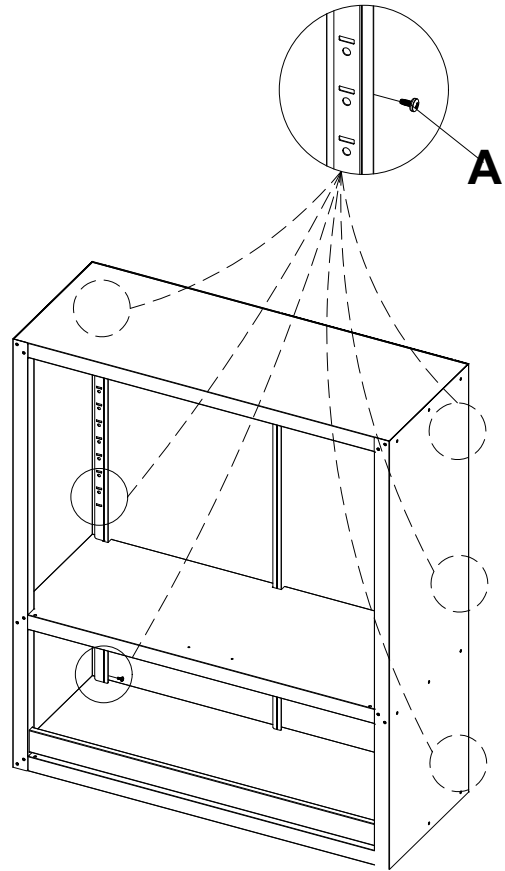
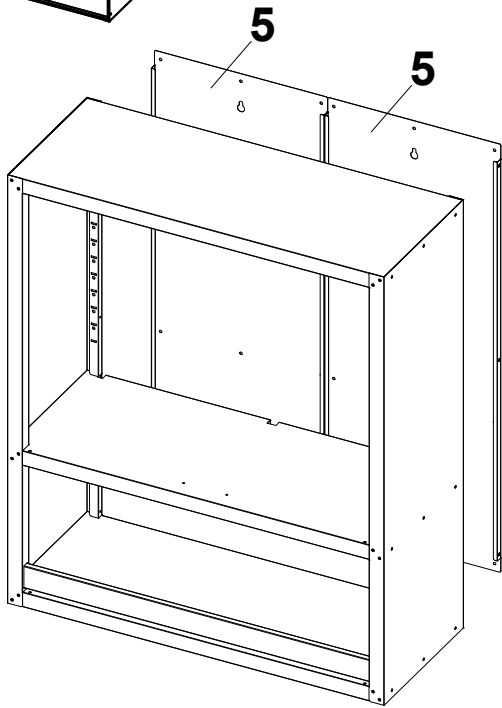
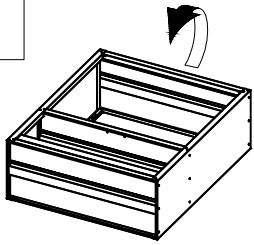


6

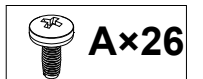
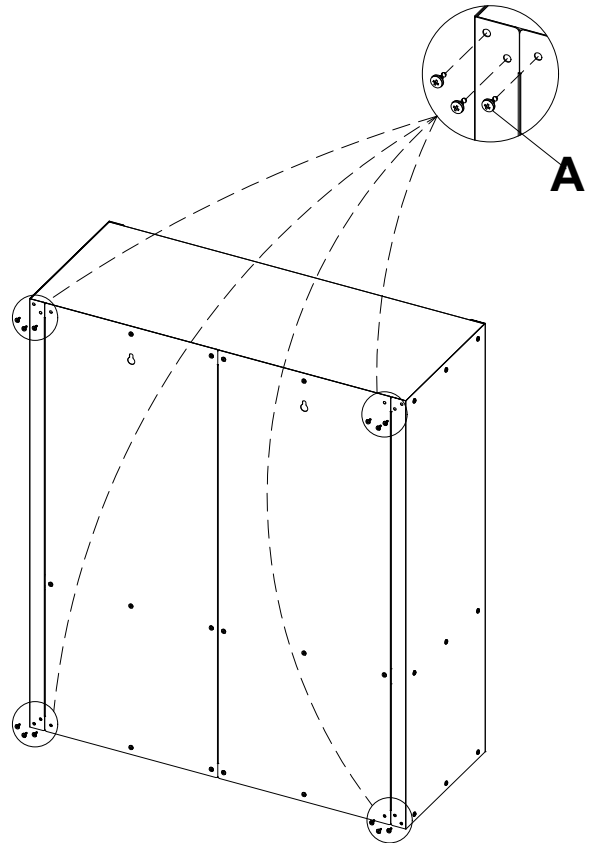
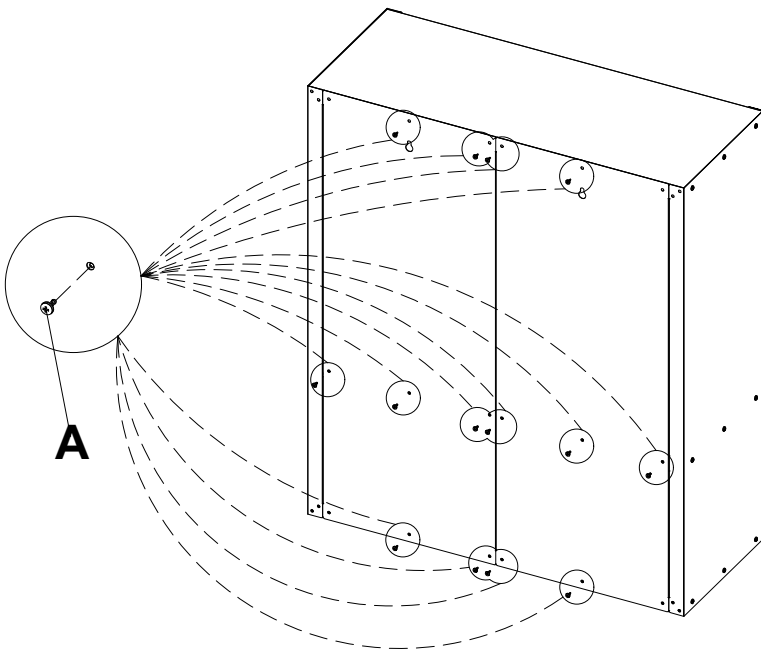
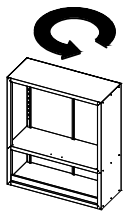
put three bolts and nuts to hold them in place



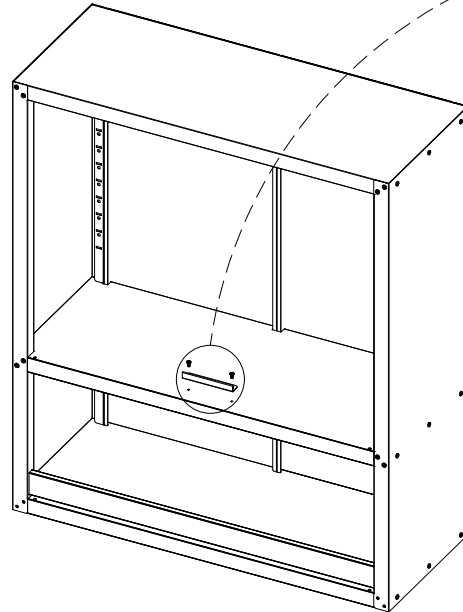
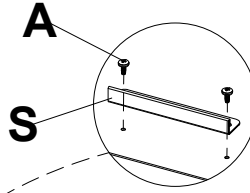
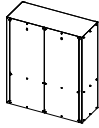
7



8



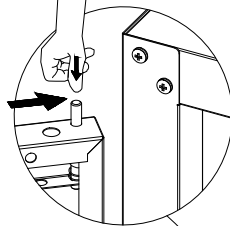
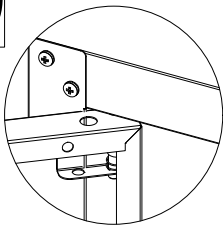
9



10

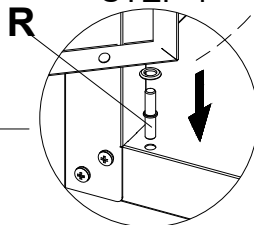
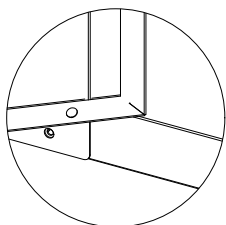
STEP 2

Installation according to step 1 and step 2



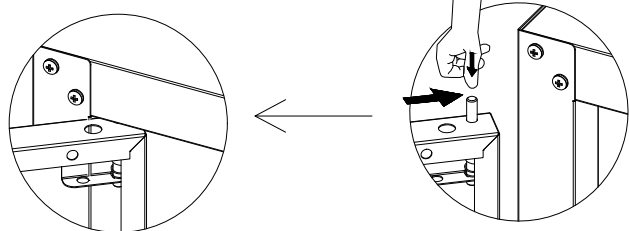
8

STEP 1

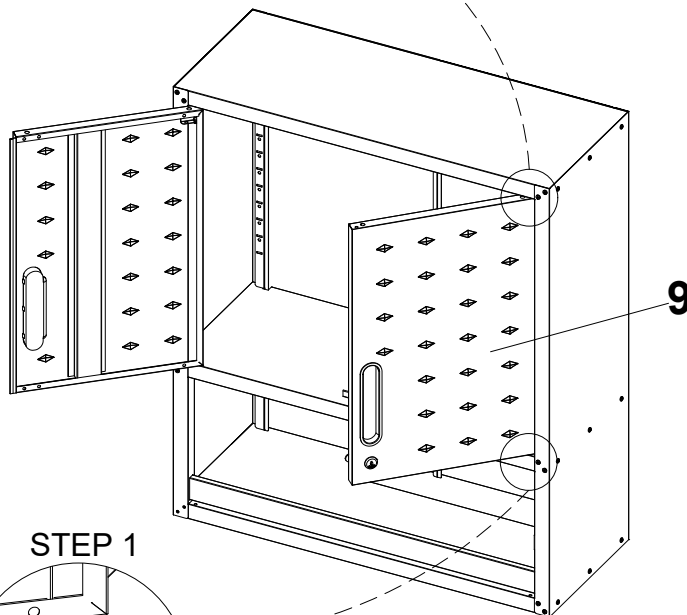


11

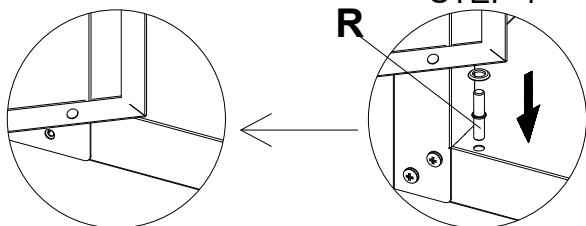
STEP 2



Installation according to step 1 and step 2

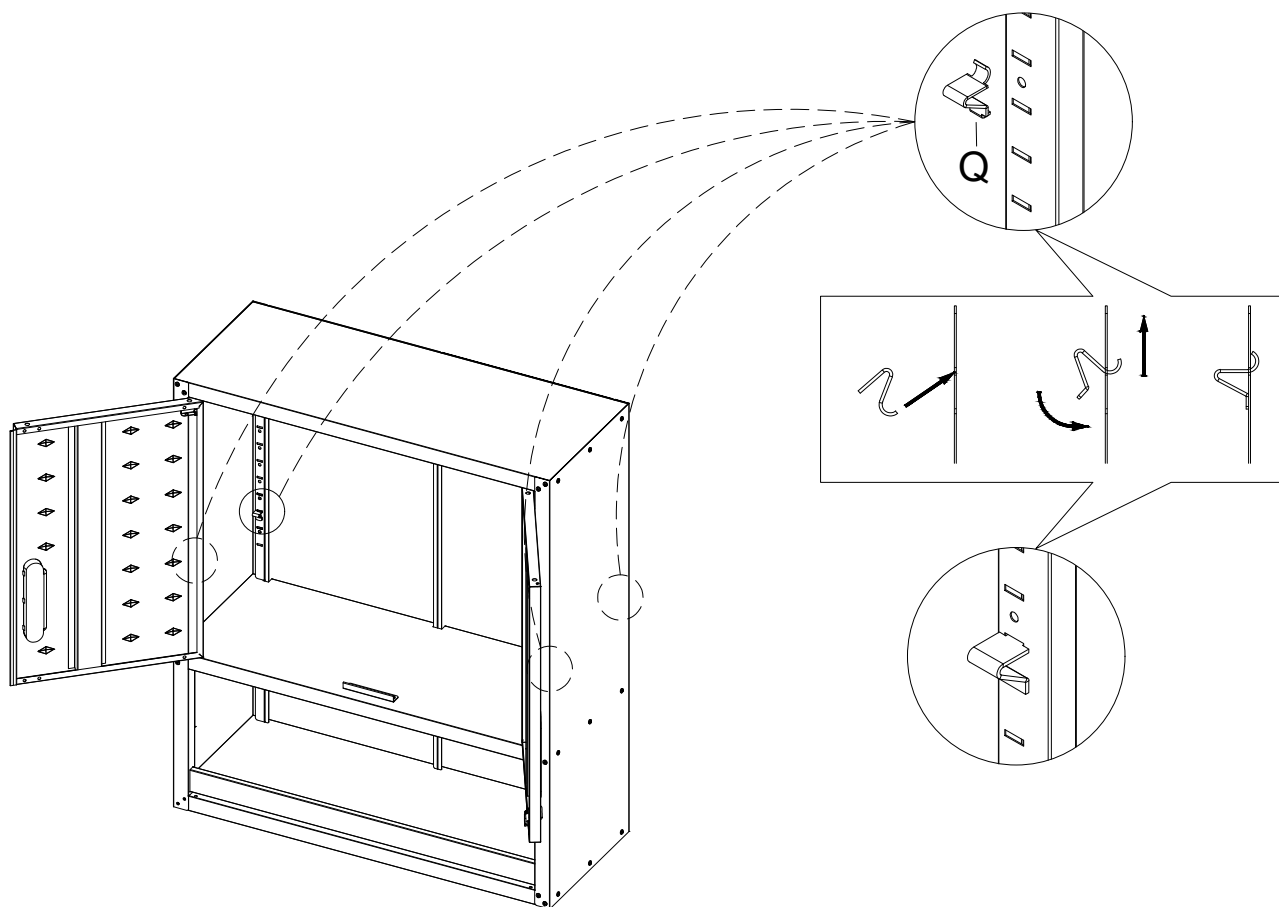


STEP 1



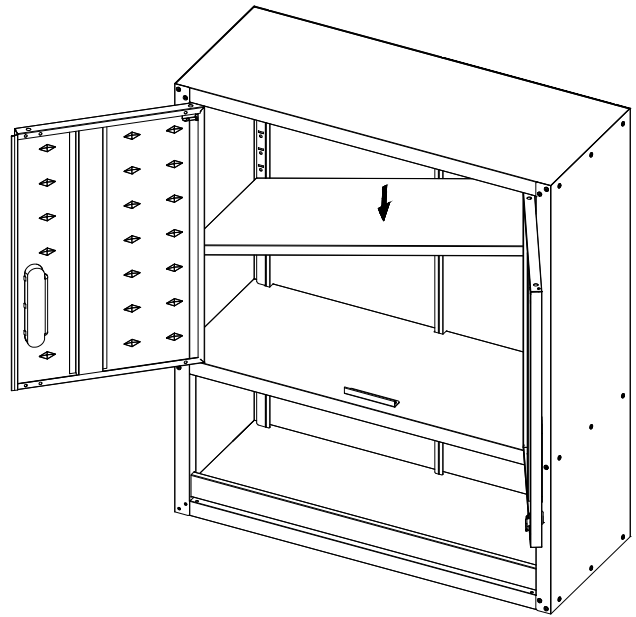
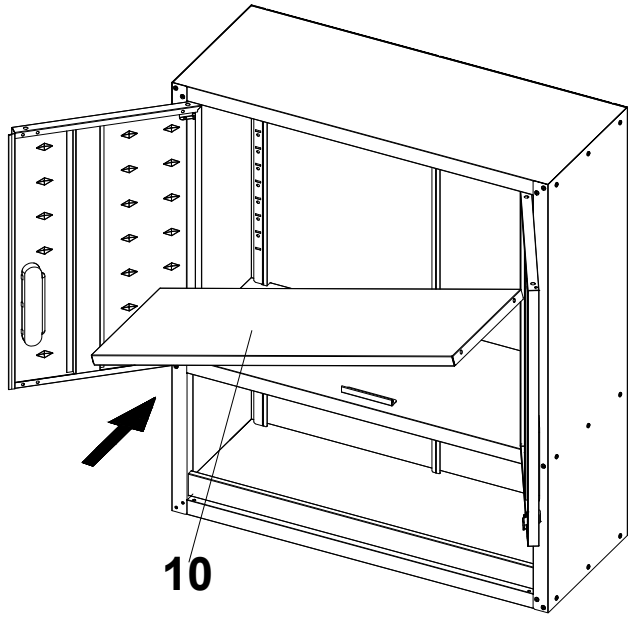
 R×1

12

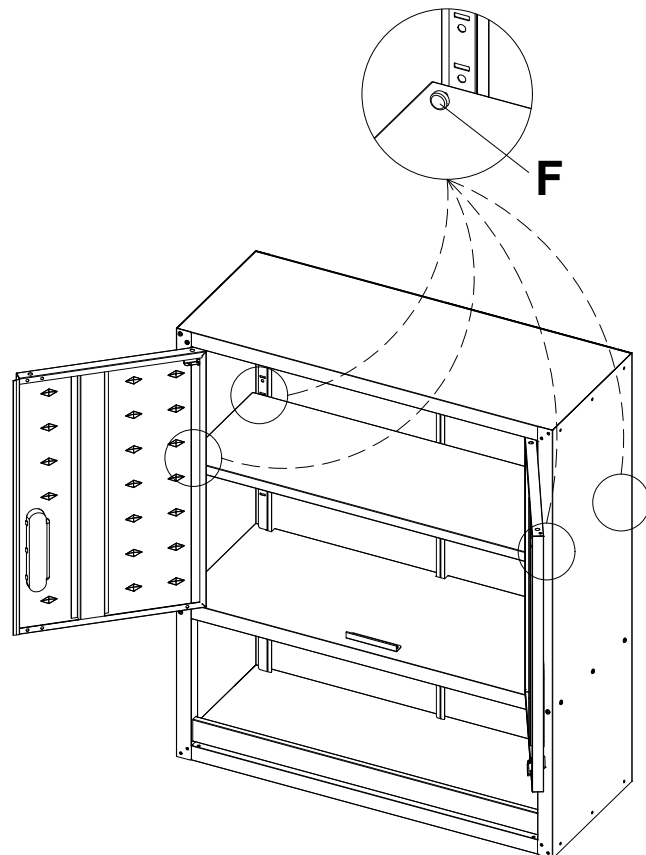
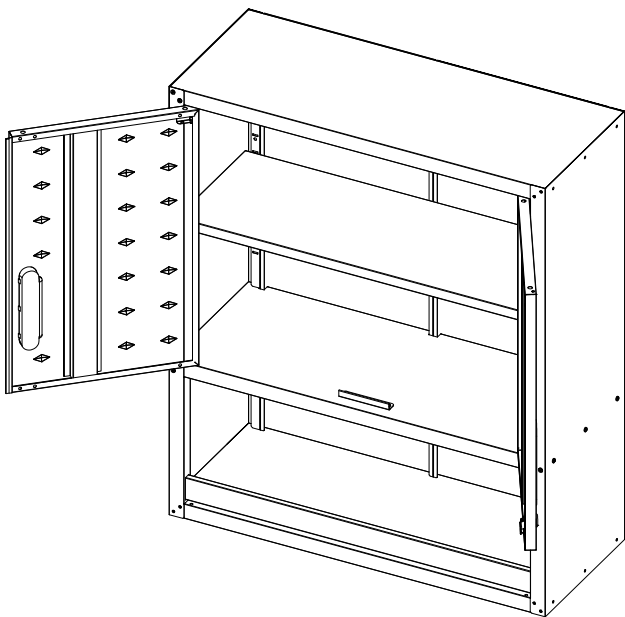


 Q×4

13

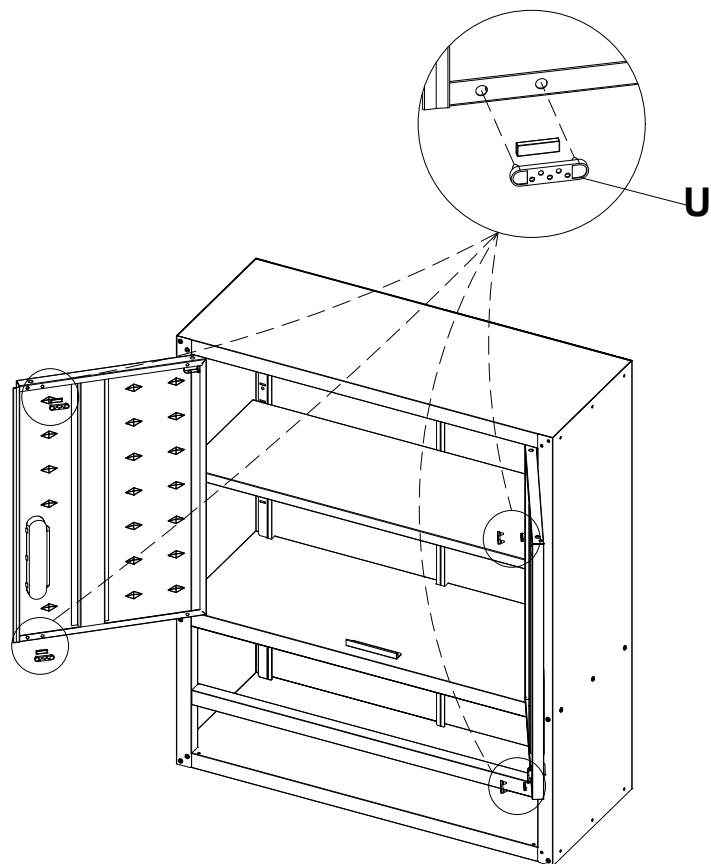


14

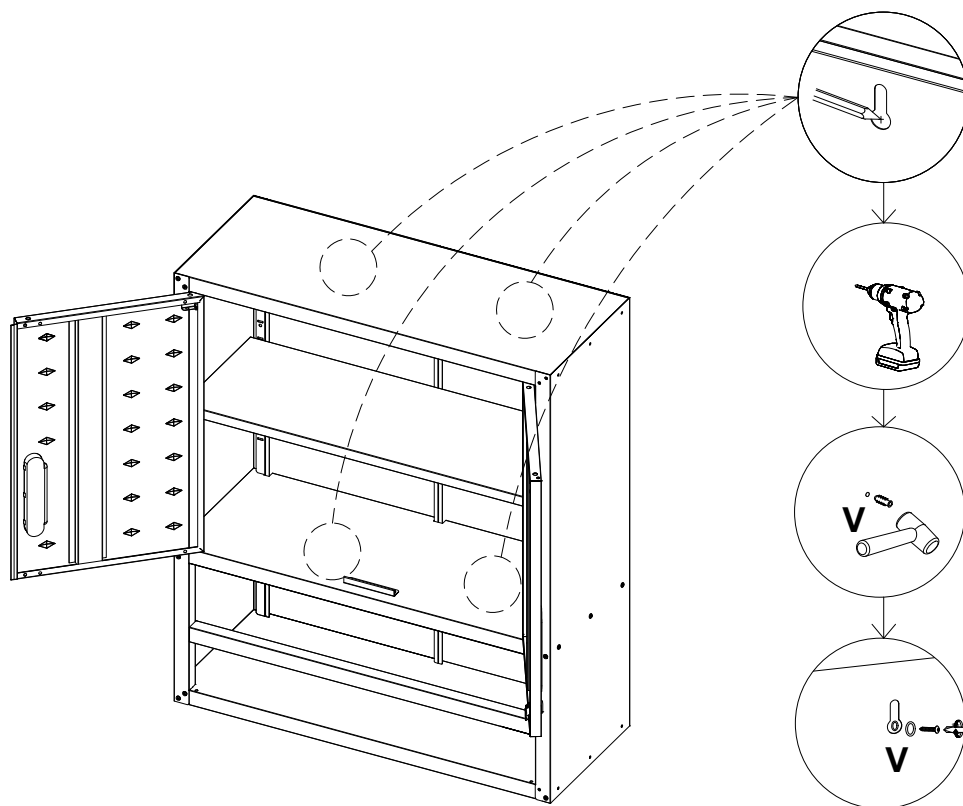


 **F×4**

15



16



17

