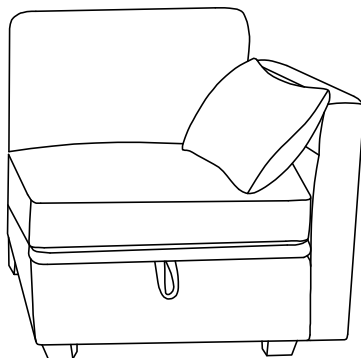
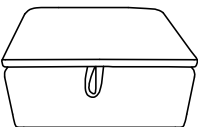
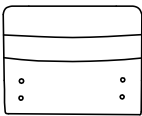

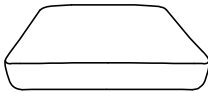

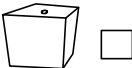


Assembly Instructions


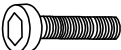


ITEM NO:F8122/8111



PARTS LIST

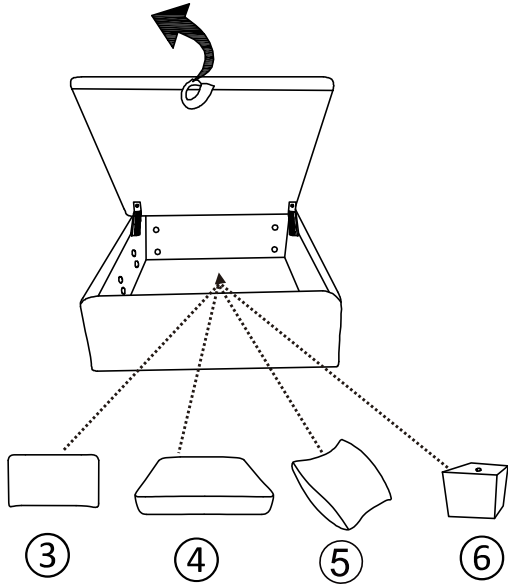
① *1	② *2	③ *1	④ *1	⑤ *1	⑥ *4
					

HARDWARE LIST

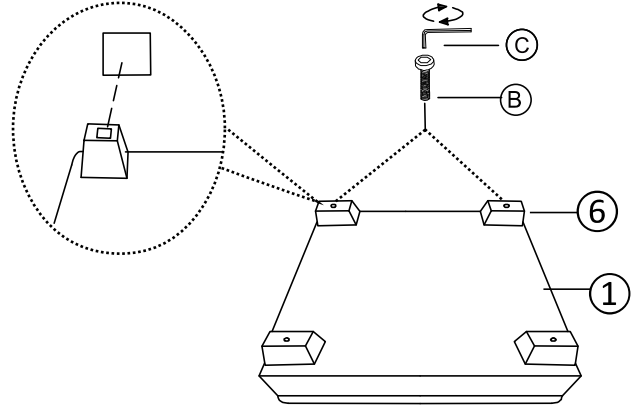
Ⓐ *8	Ⓑ *4	Ⓒ *1	Ⓓ *1
			

Assembly Steps

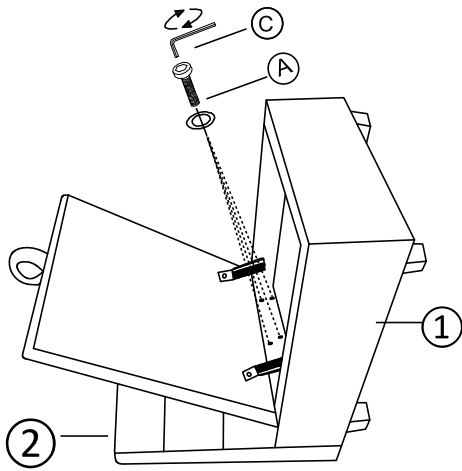
Step 1



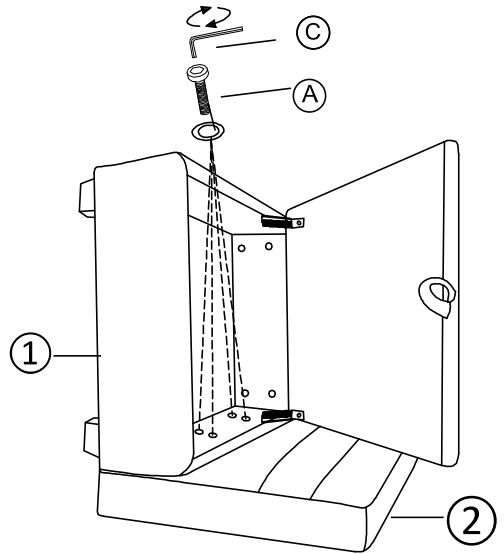
Step 2



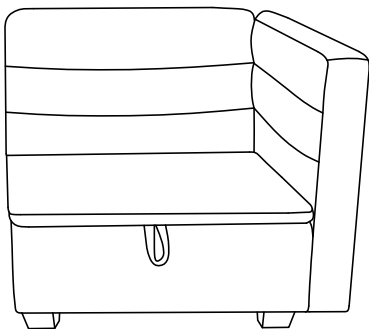
Step 3



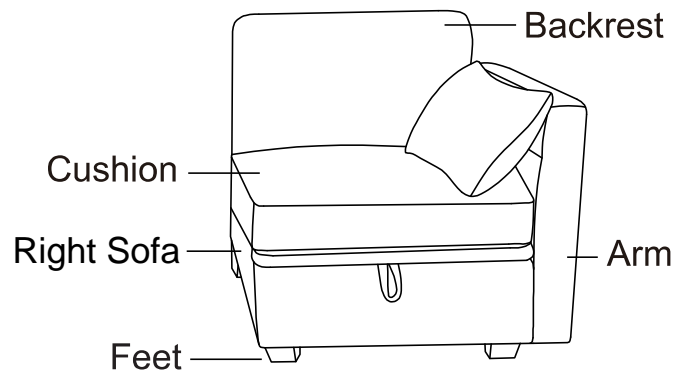
Step 4



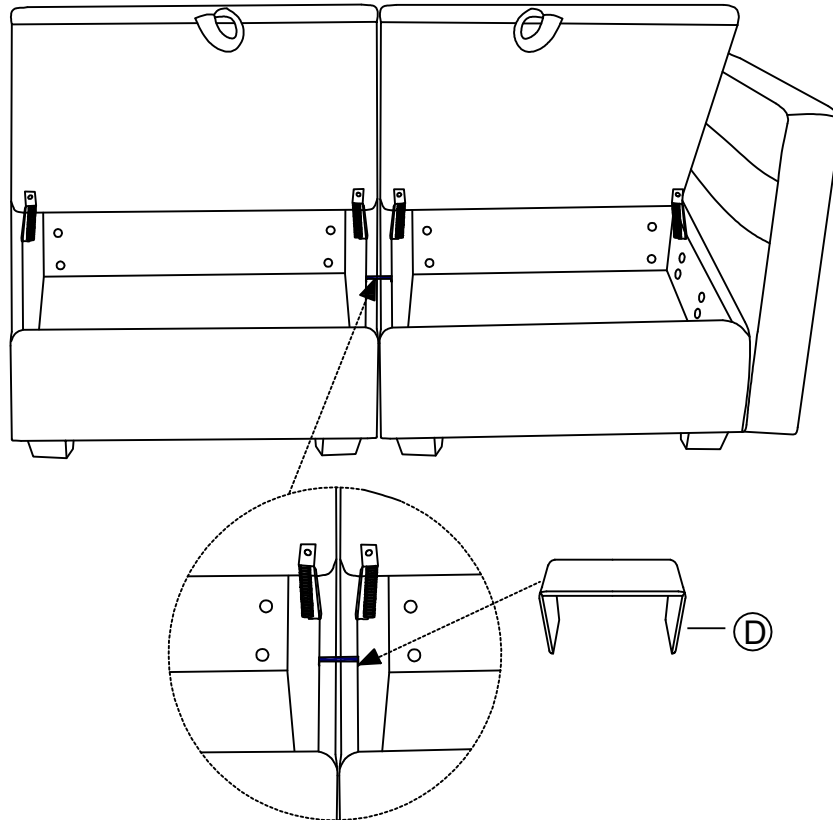
Step 5



Step 6



Assembly Steps



Fix the assembled sofa together with 1 connectors,
and then place the seat cushion and backrest on top