

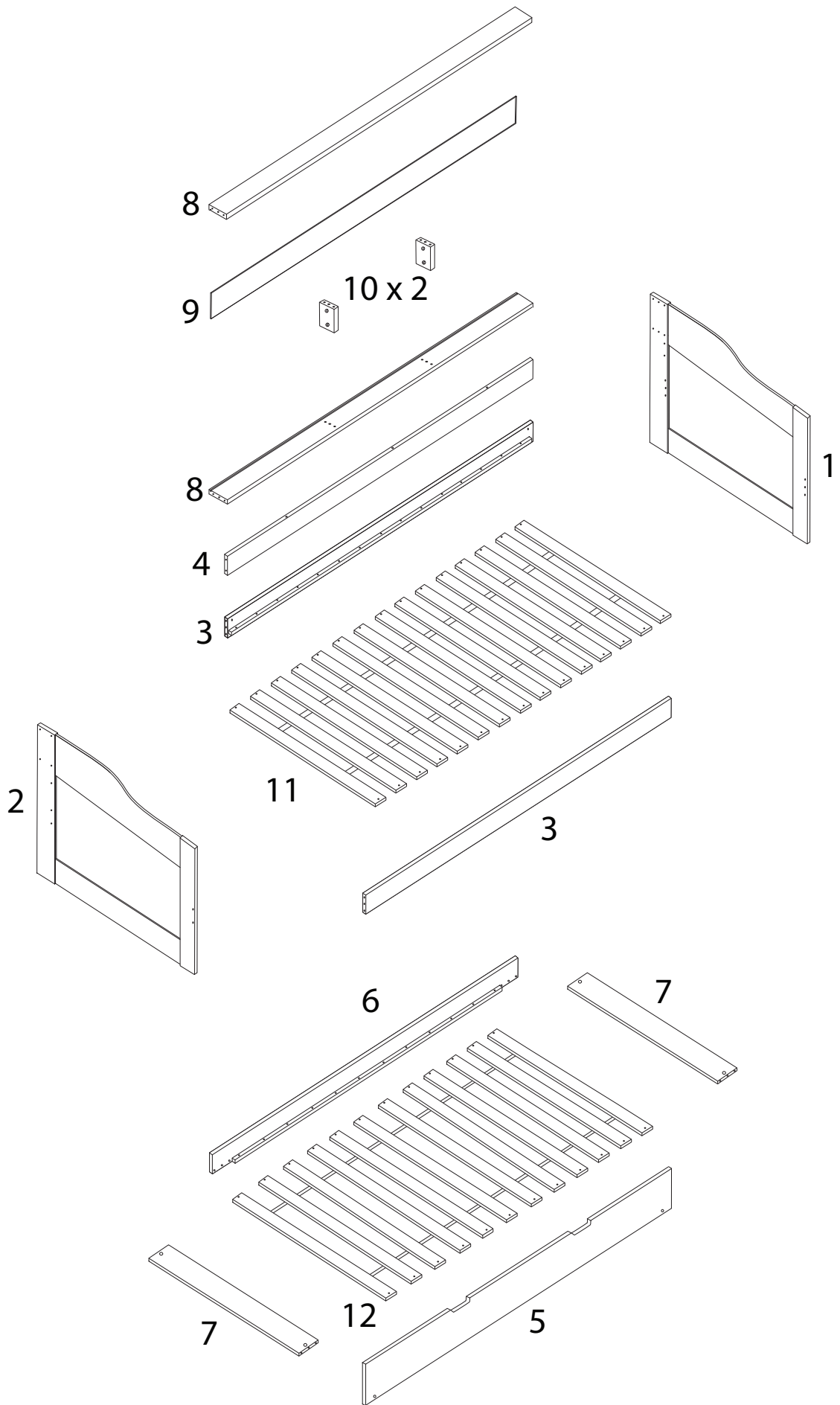
Assembly instructions for the bed frame, including tool requirements, time, and personnel.

Tools: A circular icon contains a screwdriver and a square bit. A power drill is shown with a diagonal line through it, indicating it is not required.

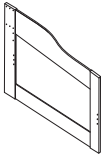
Time: A clock icon is shown with the number 60' below it, indicating the estimated assembly time is 60 minutes.

Personnel: A stick figure icon is shown with the number 2 below it, indicating that two people are required for assembly.

Warnings: Two warning triangles (exclamation marks) are present. The first is connected to the tool requirements, and the second is connected to the personnel requirement.

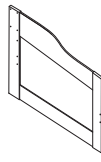


1



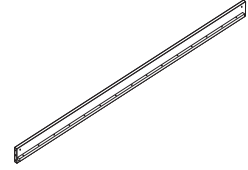
x 1

2



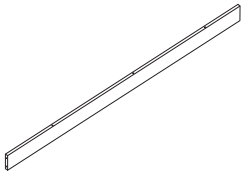
x 1

3



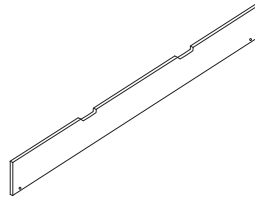
x 2

4



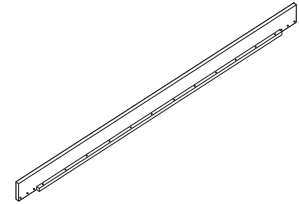
x 1

5



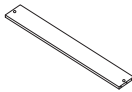
x 1

6



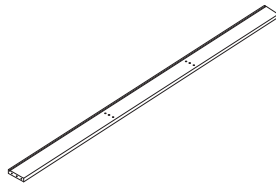
x 1

7



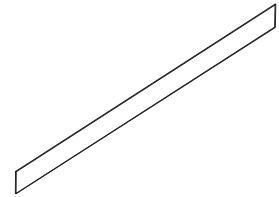
x 2

8



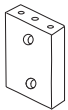
x 2

9



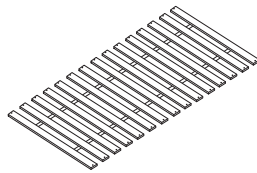
x 1

10



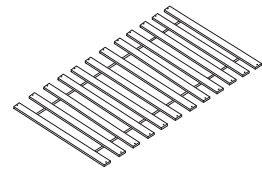
x 2

11

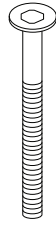


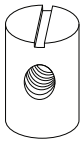
x 1


12

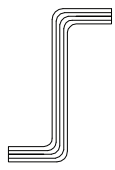


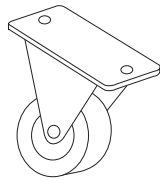
x 1

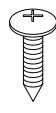
A

M6
x
70
x 12

B

x 12

C

x 26


D

x 1

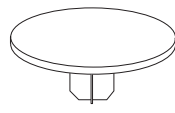
E

x 4

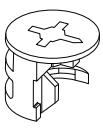
F

M4
x
16
x 8

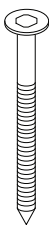
G

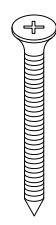
M4
x
30
x 60

H

x 4

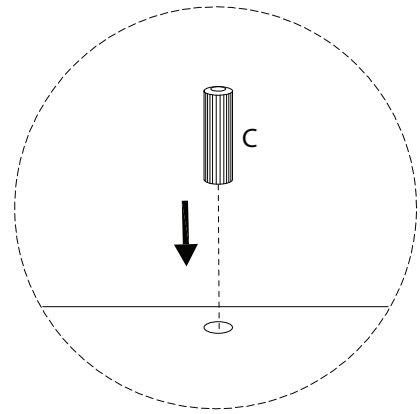
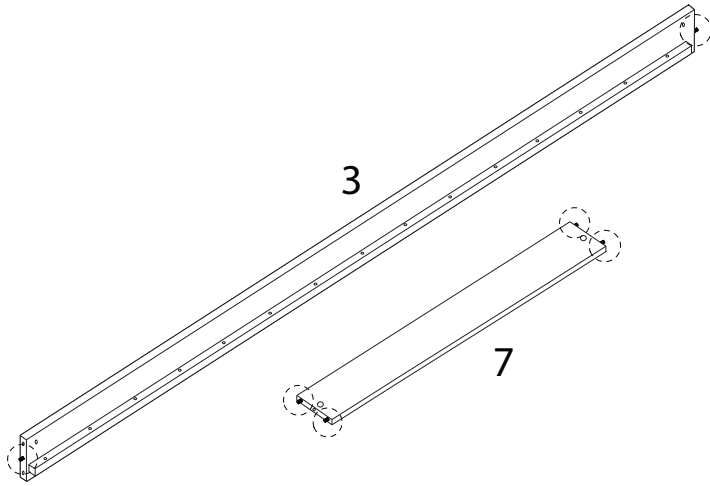
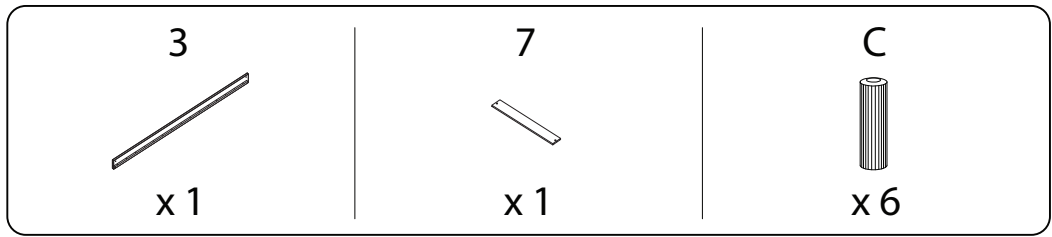
I

x 20

J

x 4

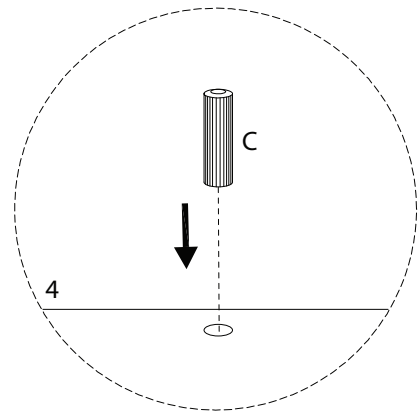
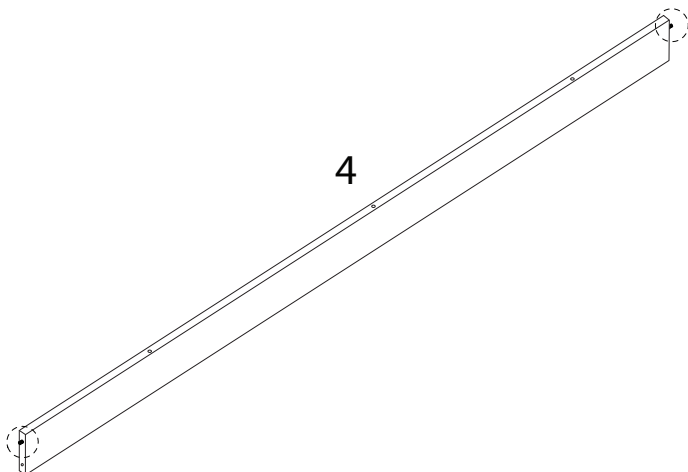
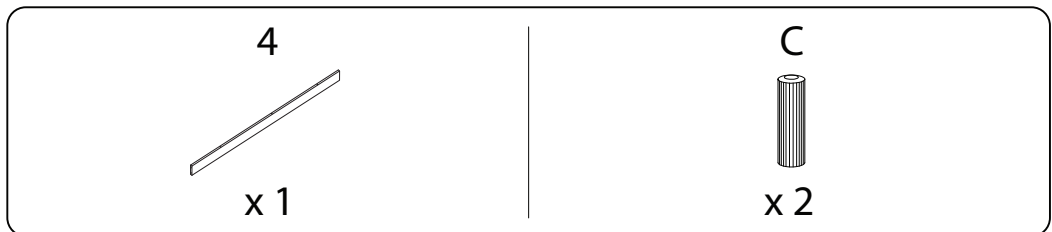
K

M6
x
70
x 10

L

M4
x
50
x 3

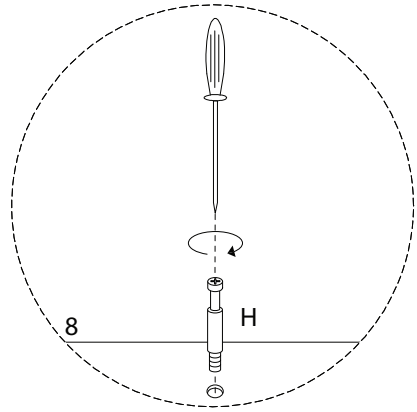
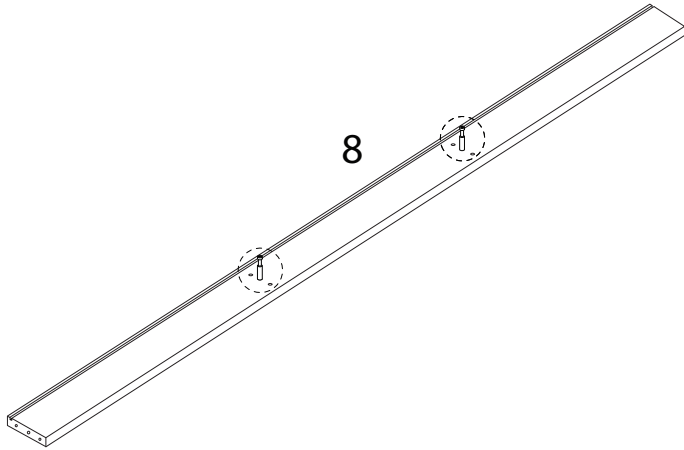
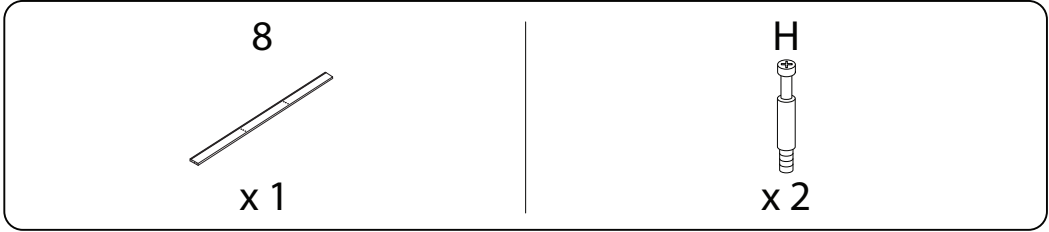
1 x 2



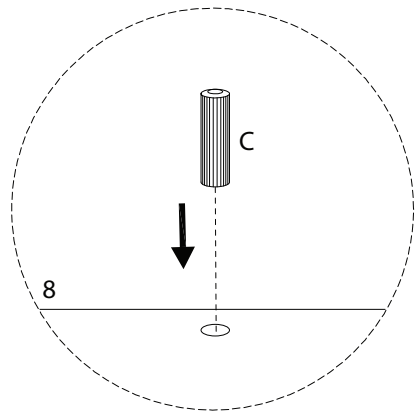
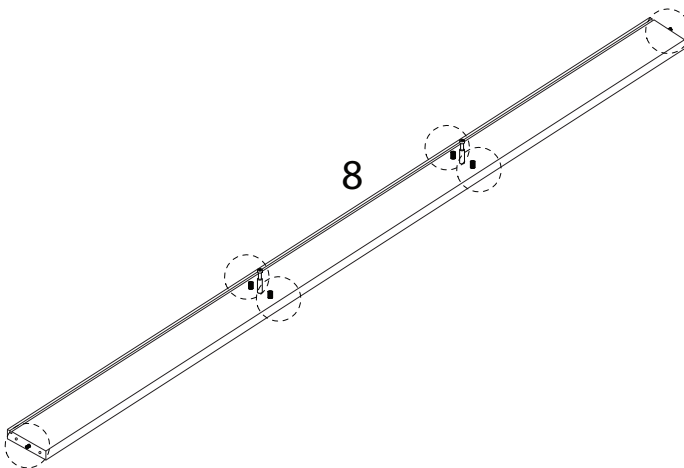
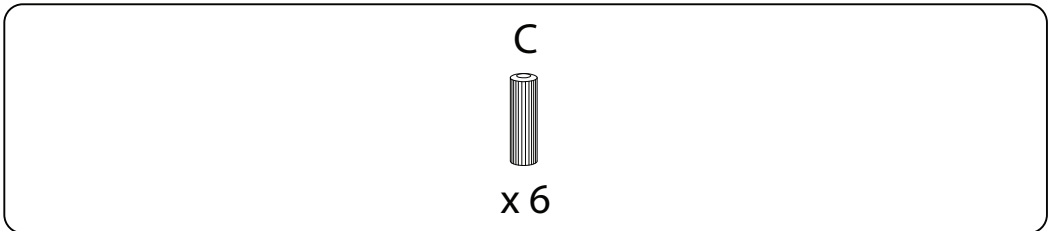
2



3 x 2



4 x 2

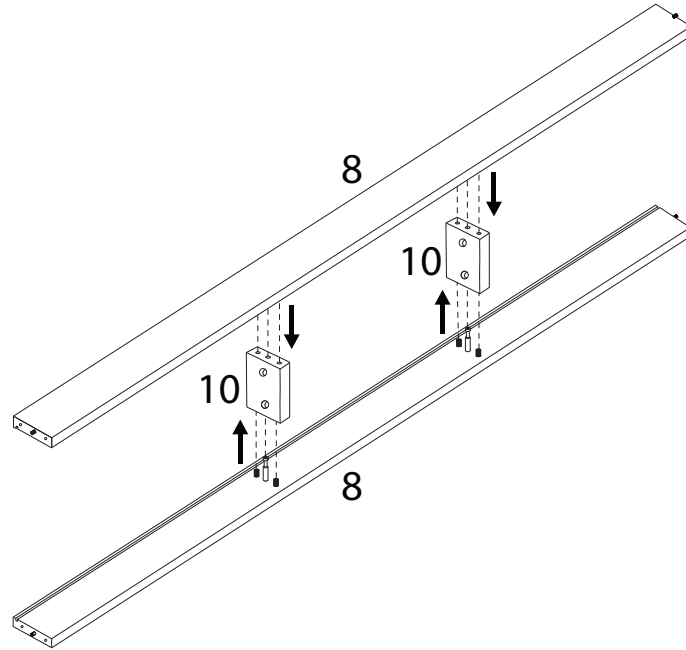


5

10



x 2

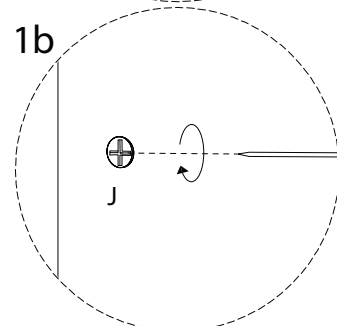
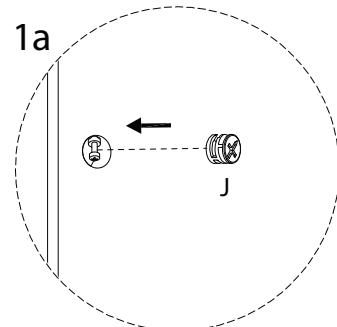
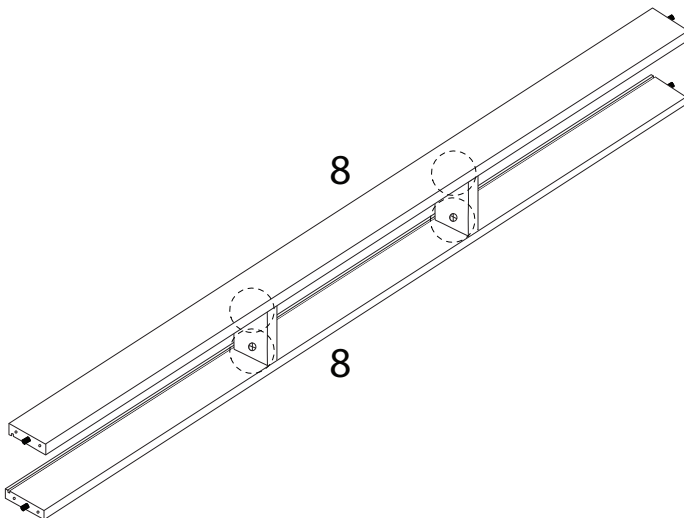


6

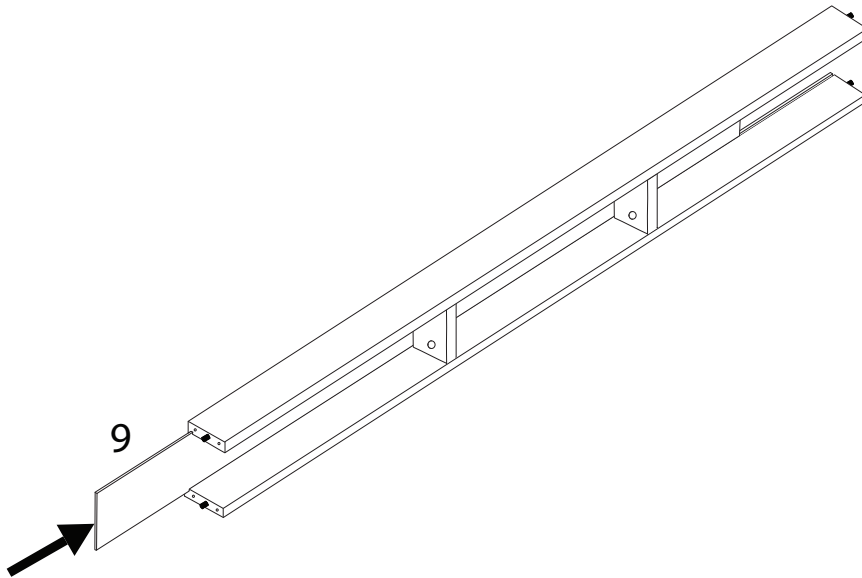
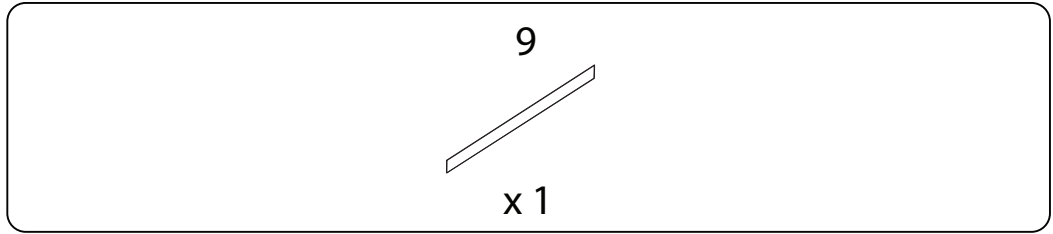
J



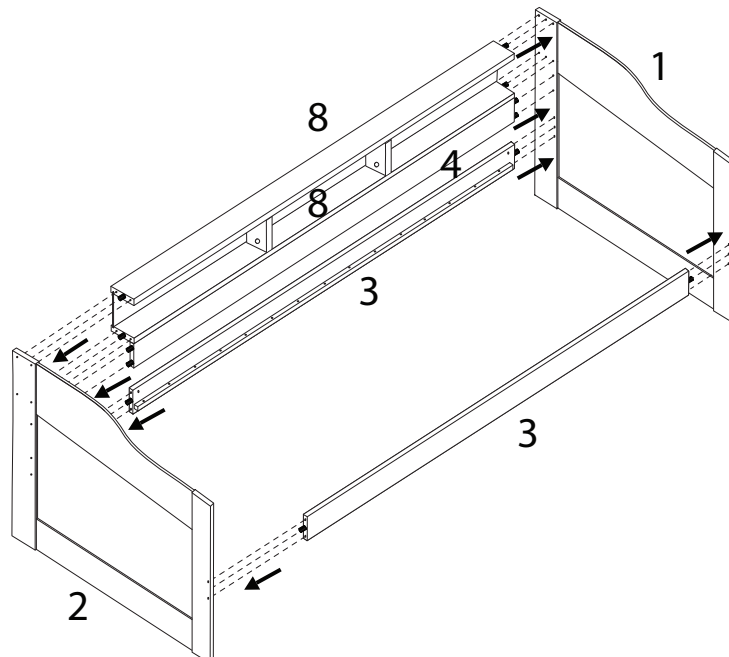
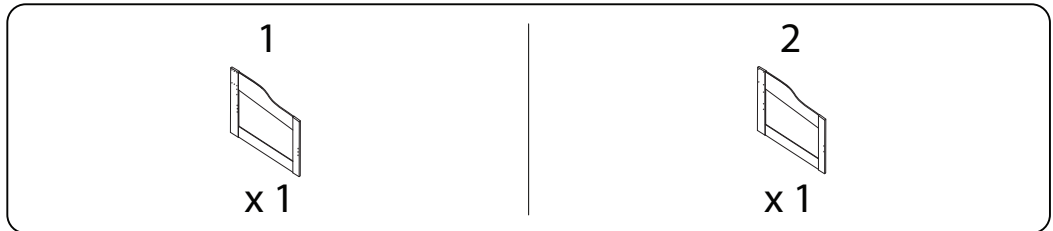
x 4



7



8

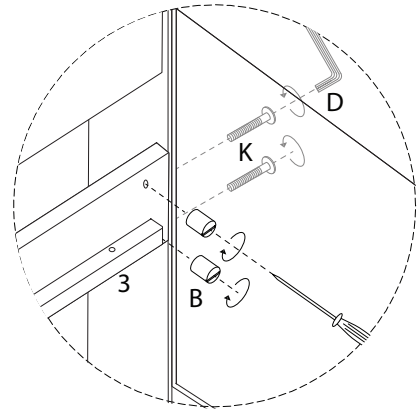
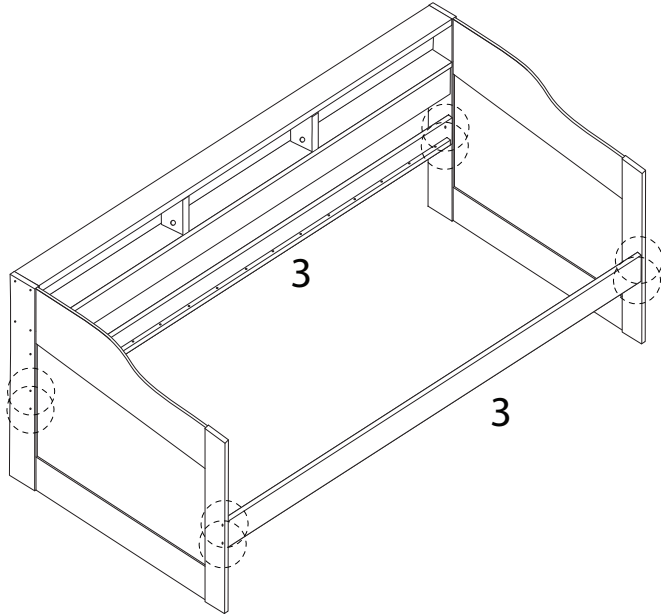


9

A
M6
x
70
x 8

B
x 8

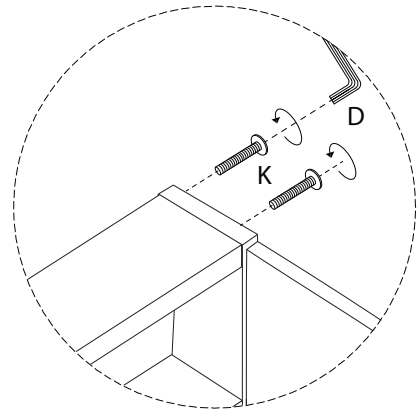
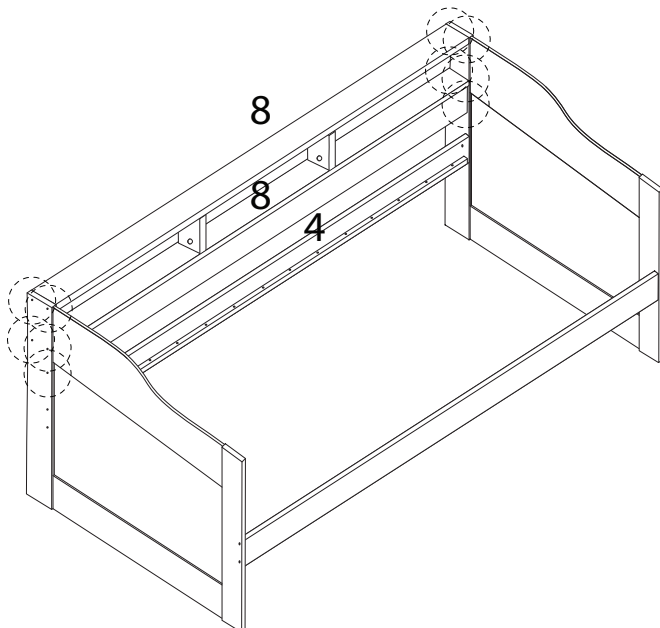
D
x 1



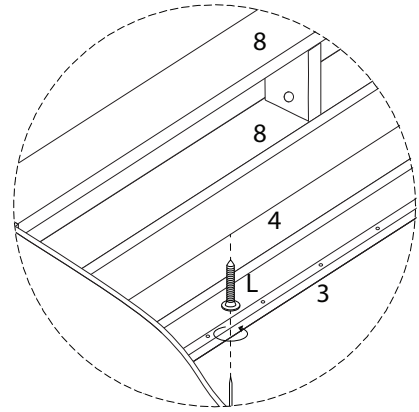
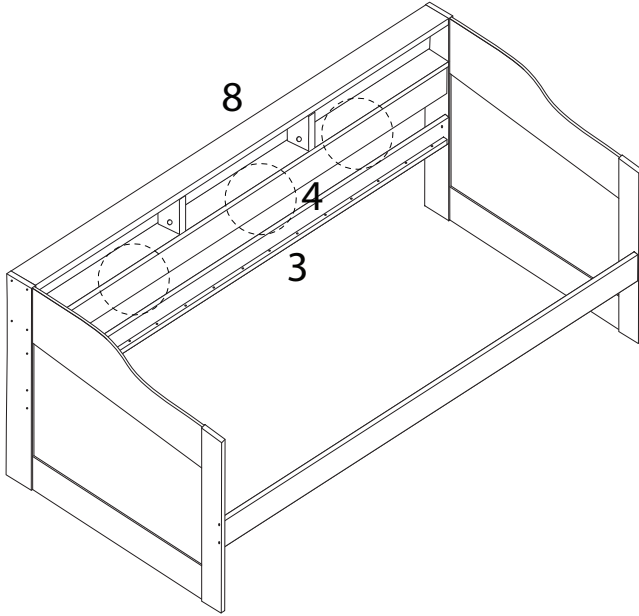
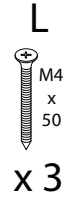
10

K
M6
x
70
x 10

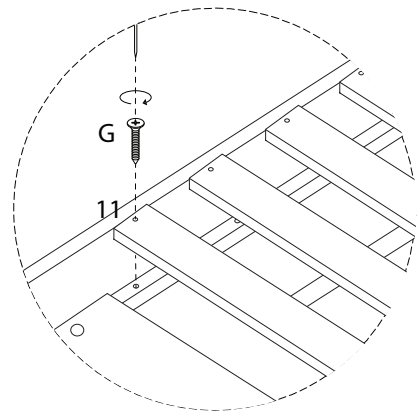
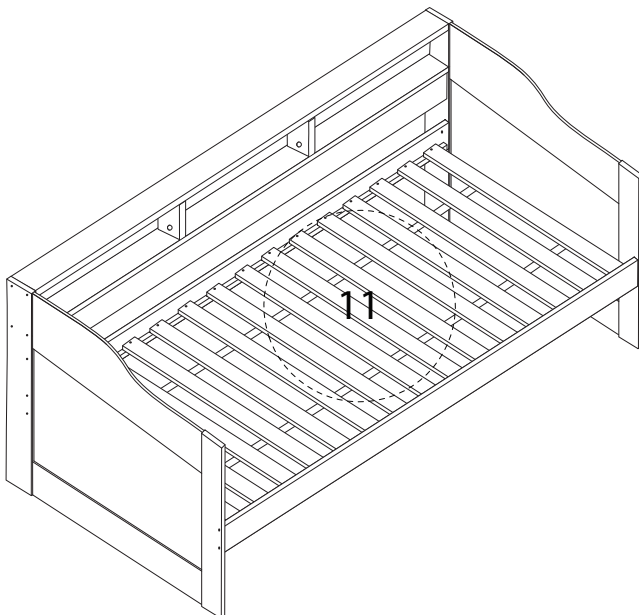
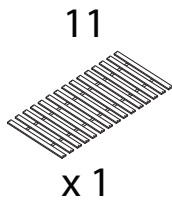
D
x 1



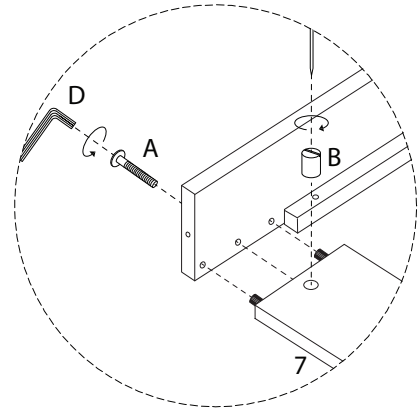
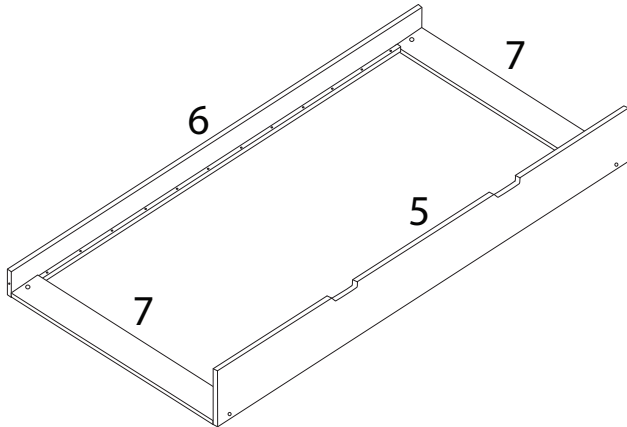
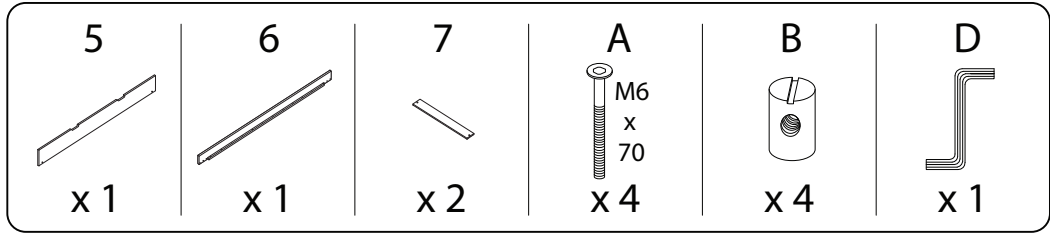
11



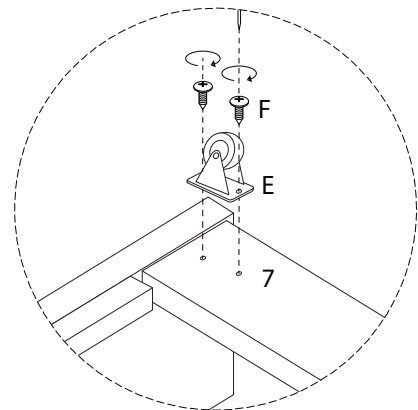
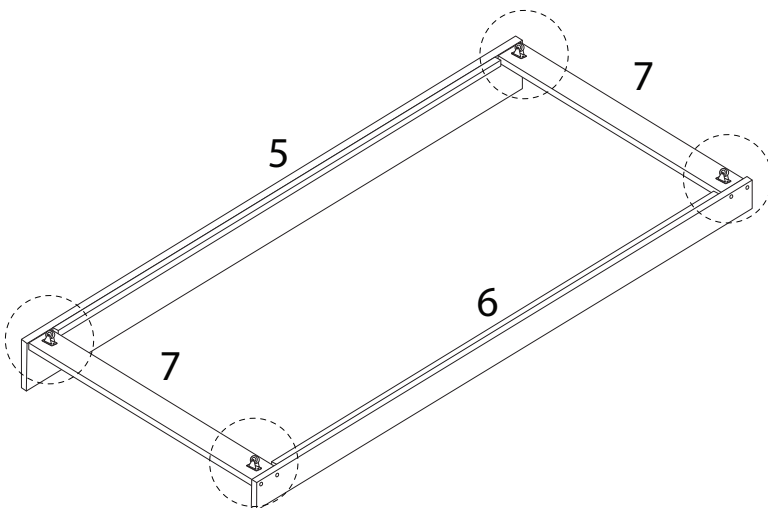
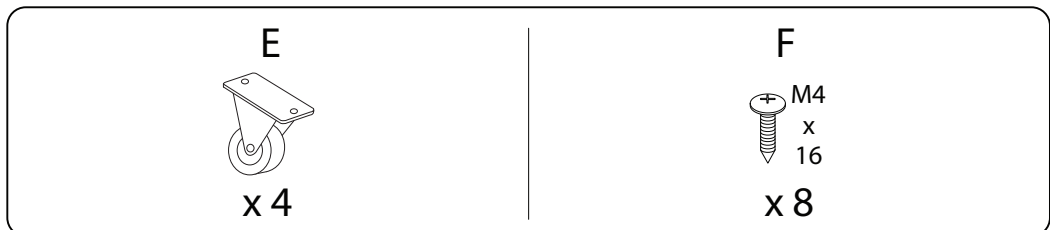
12



13

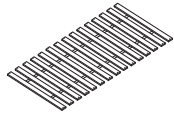


14



15

12

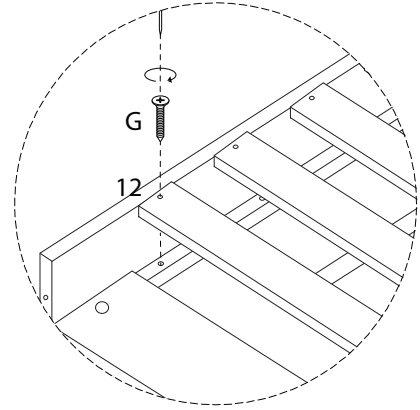
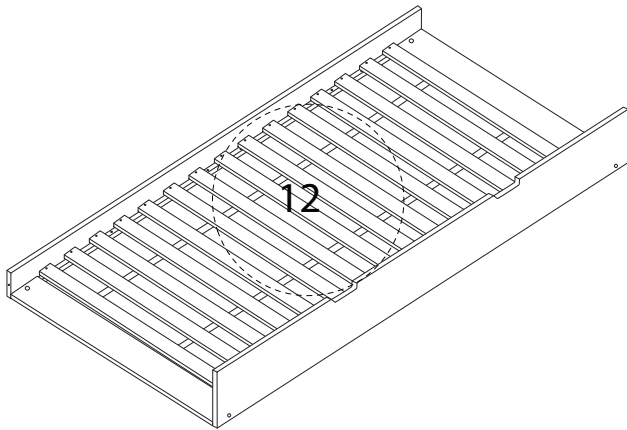


x 1

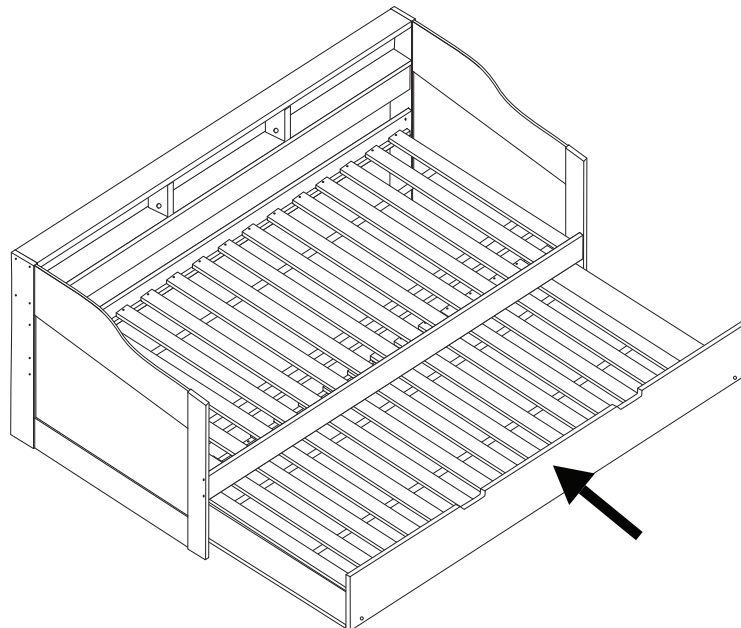
G



x 30



16



17

