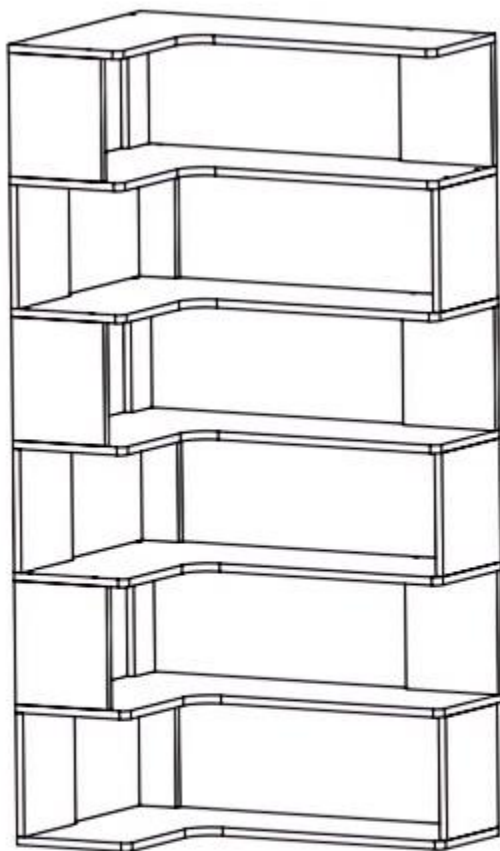
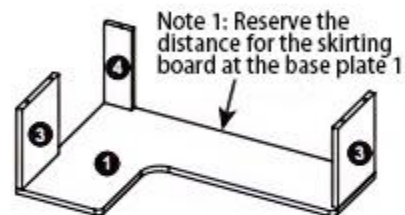


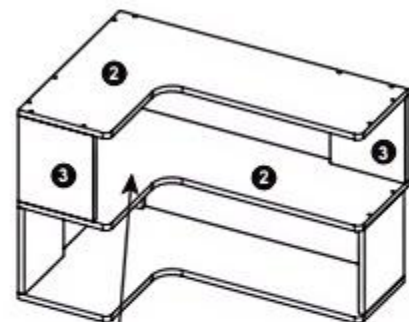
# Bookshelf Installation Instruction Manual



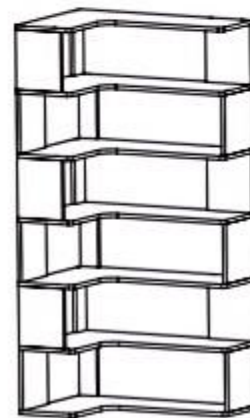
1. Install the support plate on the base plate



2. Install the partition and support plate



3. Continue to install the partition and support plate. After installation is completed, check the stability



Please confirm that all the components in the package are complete and check for any damage. It usually includes the following components:

① Bookshelf bottom plate



② Bookshelf partition



③ Bookshelf support board



④ Bookshelf support board



Thank you for purchasing our products. Wish you a pleasant use! If you have any questions, please feel free to contact our customer service team at any time