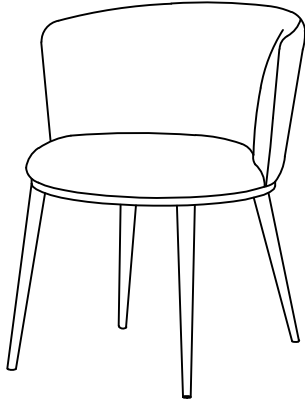


ASSEMBLY INSTRUCTIONS

GOLD DINING CHAIR MATTE BLACK DINING CHAIR



+ Do Not Use PowerTools

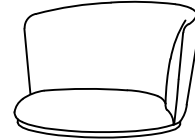


+ Suggested Adults



+ Parts Included

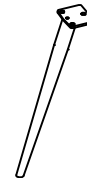
- ① Backrest
1PC



- ② Front Leg
2PCS



- ③ Back Leg
2PCS



NOTE:

- 1 Read instructions cover to cover.
- 2 Save all packaging until assembly is completed.

1 IMPORTANT SAFETY INFORMATION

Do not assemble the product if any of the following parts arrived damaged:

- Part ①** Backrest
Part ② Front Leg
Part ③ Back Leg

Do not assemble if any of the following Hardware parts are missing:

- Part A** Bolt(1/4"*5/8")
Part B Spring Washer 1/4"
Part C Flat Washer 1/4"
Part D Allen Key(4mm)

2 IMPORTANT ASSEMBLY INFORMATION

Assembly Step If loosening persists, Please make sure to tighten all the bolts periodically, or use a thread locker adhesive.

+ Hardware Included

- A** Bolt(1/4"*5/8") **B** Spring Washer 1/4"
12 PCS 12 PCS



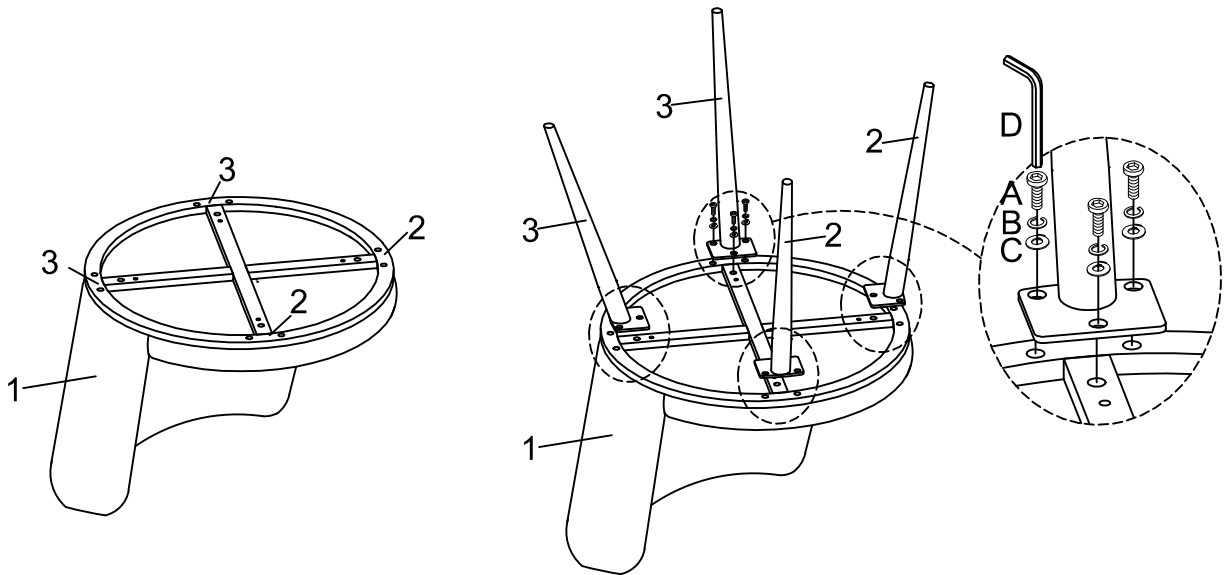
- C** Flat Washer 1/4" **D** Allen Key (4mm)
12 PCS 1 PC



ASSEMBLY INSTRUCTIONS

GOLD DINING CHAIR
MATTE BLACK DINING CHAIR

①



②

