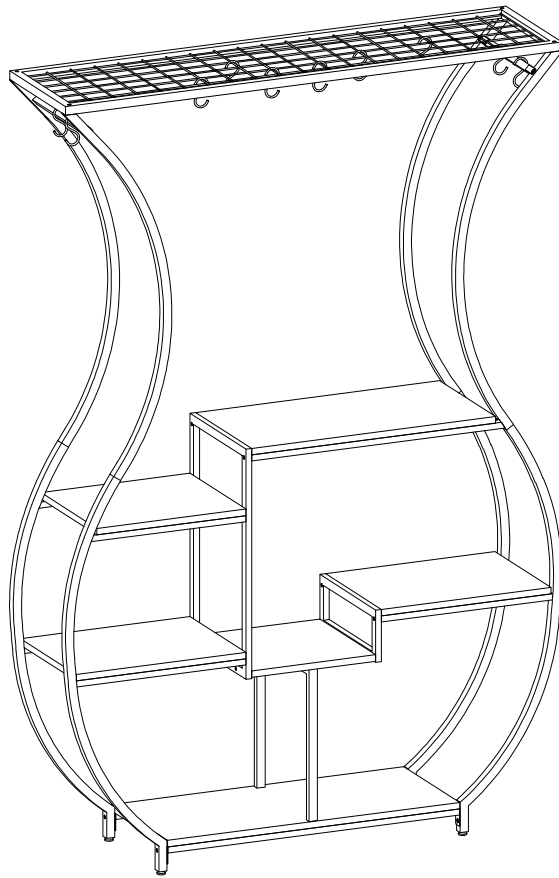


Assembly Instructions



Plant Stand

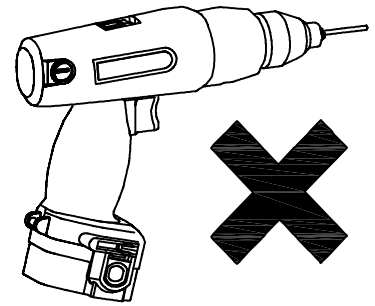
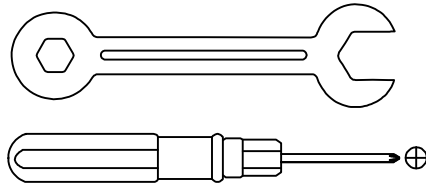
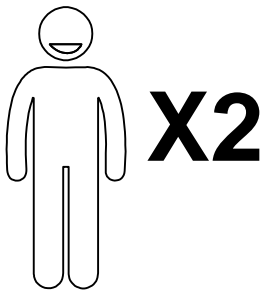
Contact Us

We're here to help you.

Your satisfaction is our top priority. If you encounter any issues with this product, such as missing or damaged parts, we're here to help. Please retain the original packaging and take photos of the packaging and the product, then contact us as soon as possible.

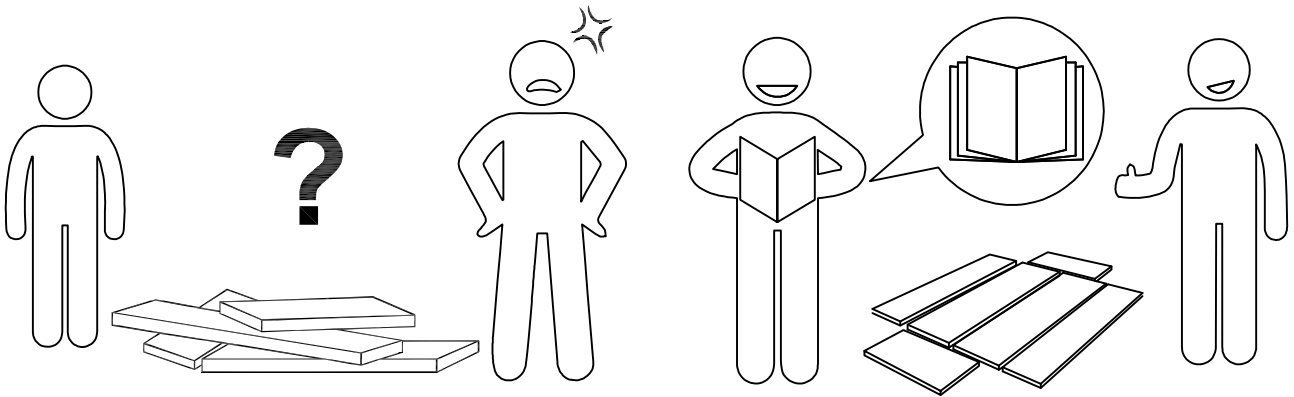
Warm Tips

1. Carefully read these instructions and keep them for future reference.
2. Check the parts list and confirm everything's there before starting assembly.
3. When assembling, put all parts on a soft, smooth surface like a carpet to avoid scratches.
4. Don't fully tighten screws until all parts are confirmed in place to avoid misalignment.



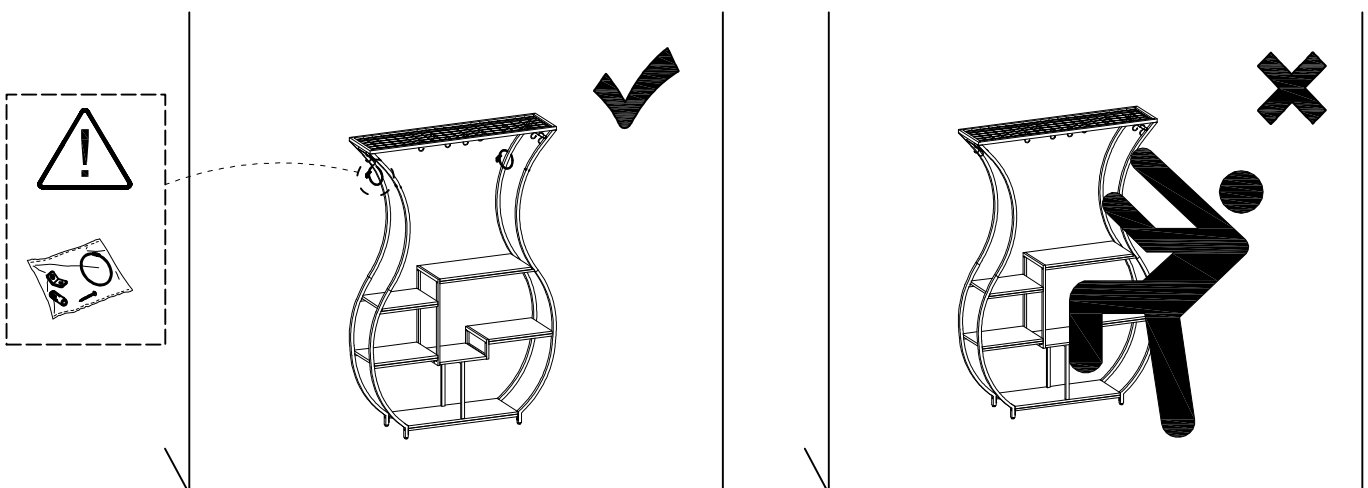
We recommend using hand tools for assembly.

If an electric screwdriver is used, reduce power and torque to avoid damage to the product.

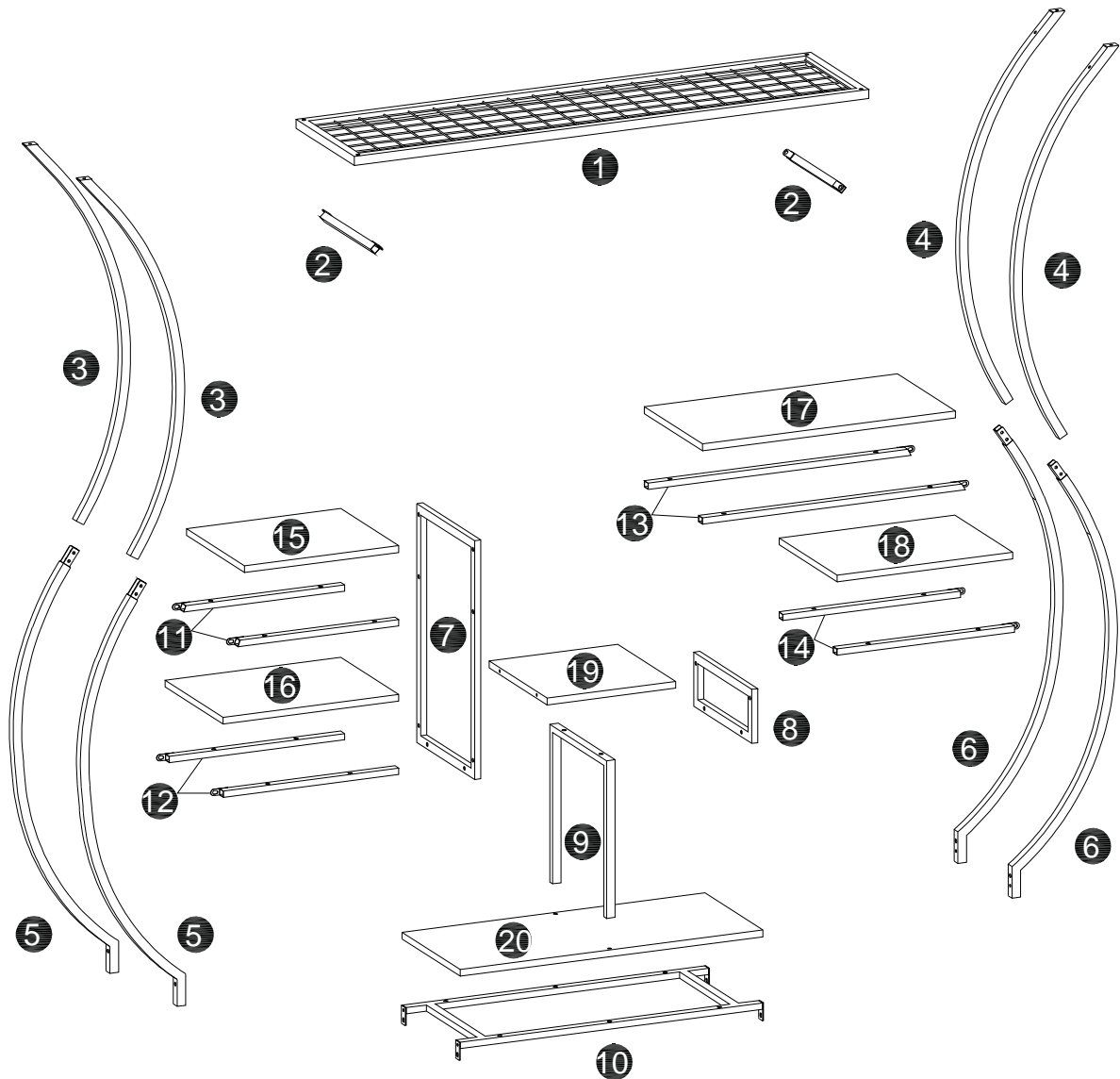


Install the Anti-Tip Straps

Using the anti-tip straps can reduce the risk of tipping over, but can not eliminate it.



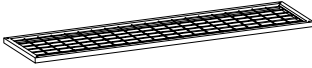
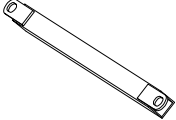





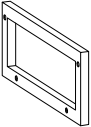
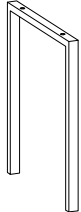





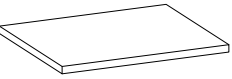
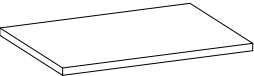
ASSEMBLY INSTRUCTIONS

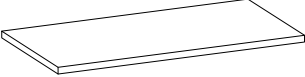
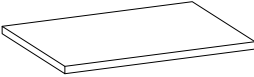
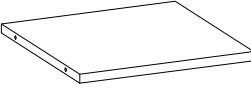
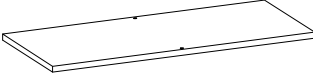


Caution


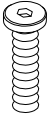
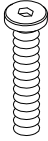
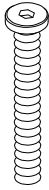
Make sure all parts are included. Most board parts are labeled or stamped on the raw edge. Contact us for a free replacement if you encounter any damaged or missing parts.

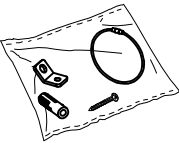
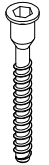
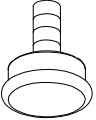

Parts List


<p>1</p>  <p>1 pc</p>	<p>2</p>  <p>2 pcs</p>	<p>3</p>  <p>2 pcs</p>	<p>4</p>  <p>2 pcs</p>
<p>5</p>  <p>2 pcs</p>	<p>6</p>  <p>2 pcs</p>	<p>7</p>  <p>1 pc</p>	<p>8</p>  <p>1 pc</p>
<p>9</p>  <p>1 pc</p>	<p>10</p>  <p>1 pc</p>	<p>11</p>  <p>2 pcs</p>	<p>12</p>  <p>2 pcs</p>
<p>13</p>  <p>2 pcs</p>	<p>14</p>  <p>2 pcs</p>	<p>15</p>  <p>1 pc</p>	<p>16</p>  <p>1 pc</p>

<p>17</p>  <p>1 pc</p>	<p>18</p>  <p>1 pc</p>	<p>19</p>  <p>1 pc</p>	<p>20</p>  <p>1 pc</p>
--	--	---	--

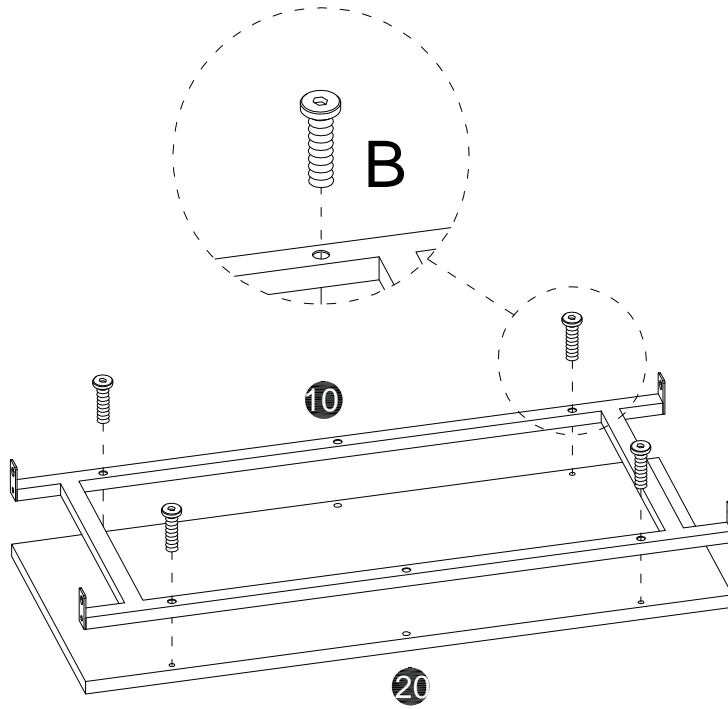
Hardware List

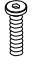
A	B	C	D
 <p>M6x12mm</p>	 <p>M6x25mm</p>	 <p>M6x32mm</p>	 <p>M6x48mm</p>
22 pcs+1pc	22 pcs+1pc	16 pcs+1pc	2 pcs+1pc

E	F	G	J
	 <p>φ7x40mm</p>		
2 pcs	4 pcs+1pc	4 pcs	10 pcs

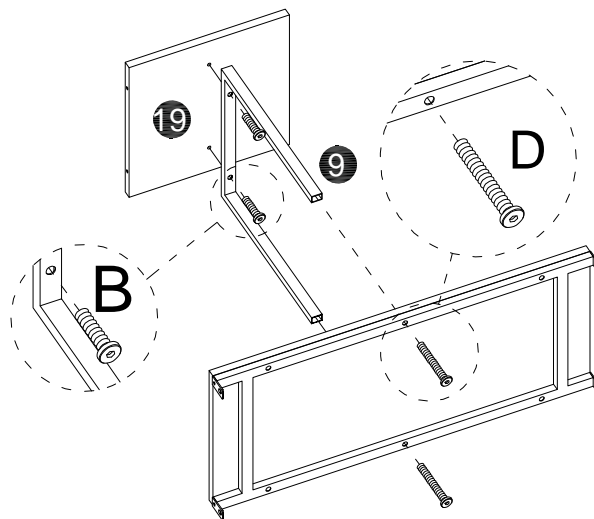
K

1 pc

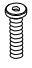
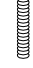
1



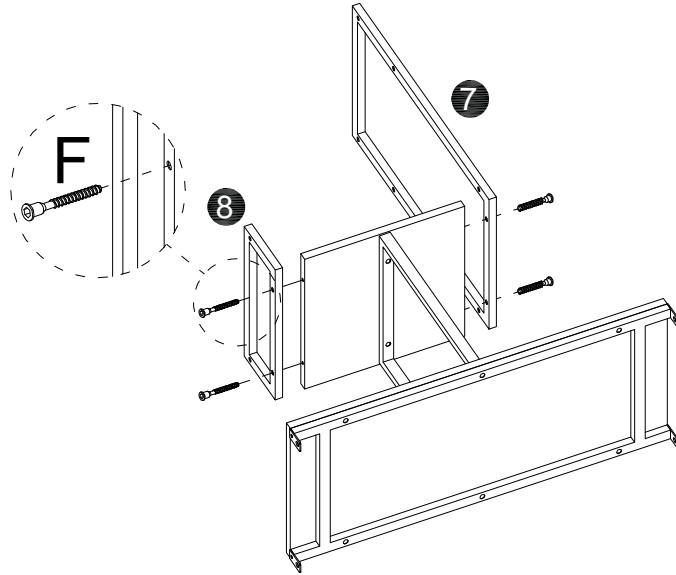
B

M6x25mm
4 pcs


2



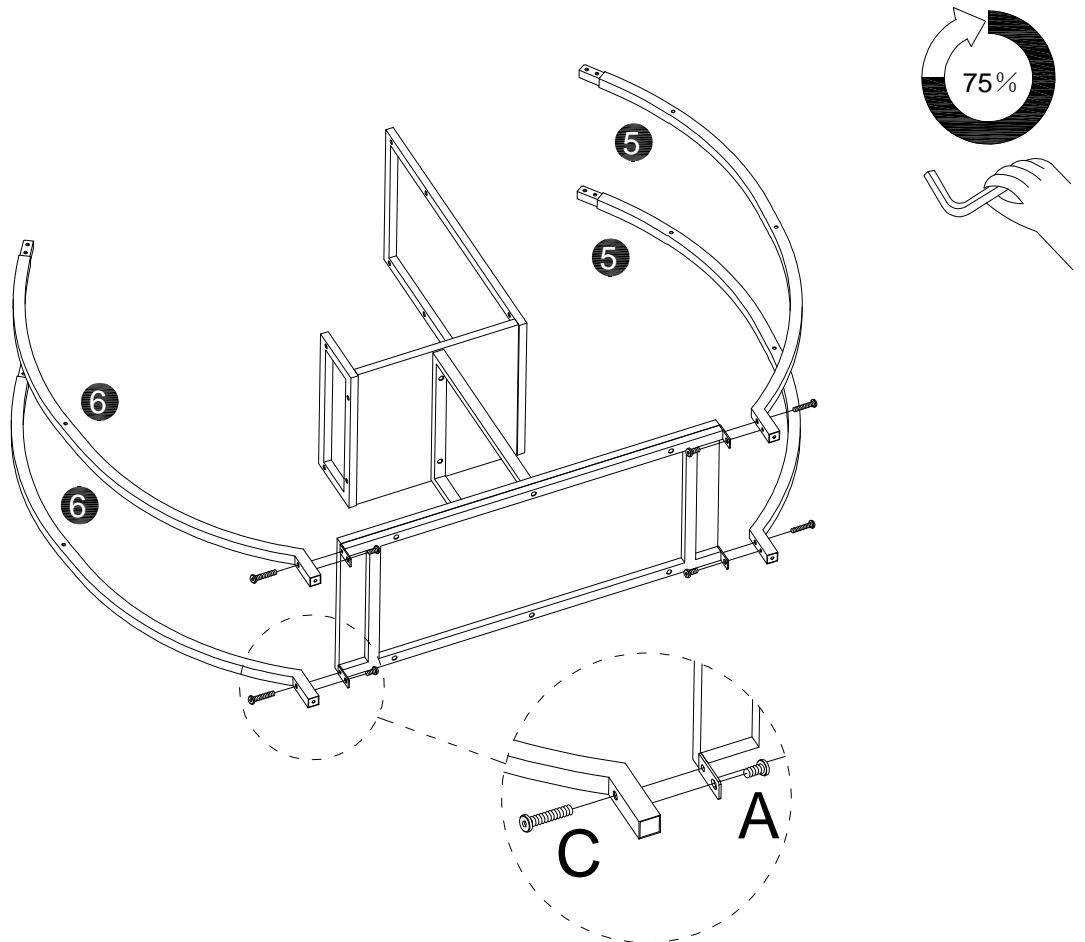
B	D
	
M6x25mm	M6x48mm
2 pcs	2 pcs


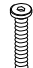
3



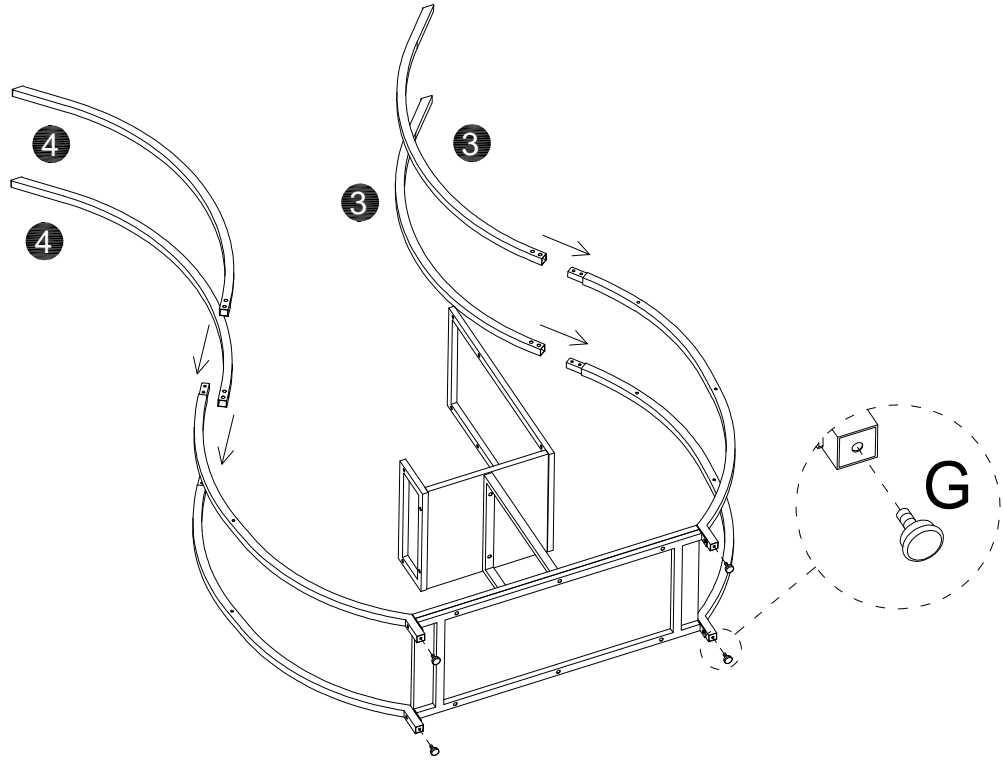
F

φ7x40mm
4 pcs

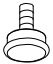
4



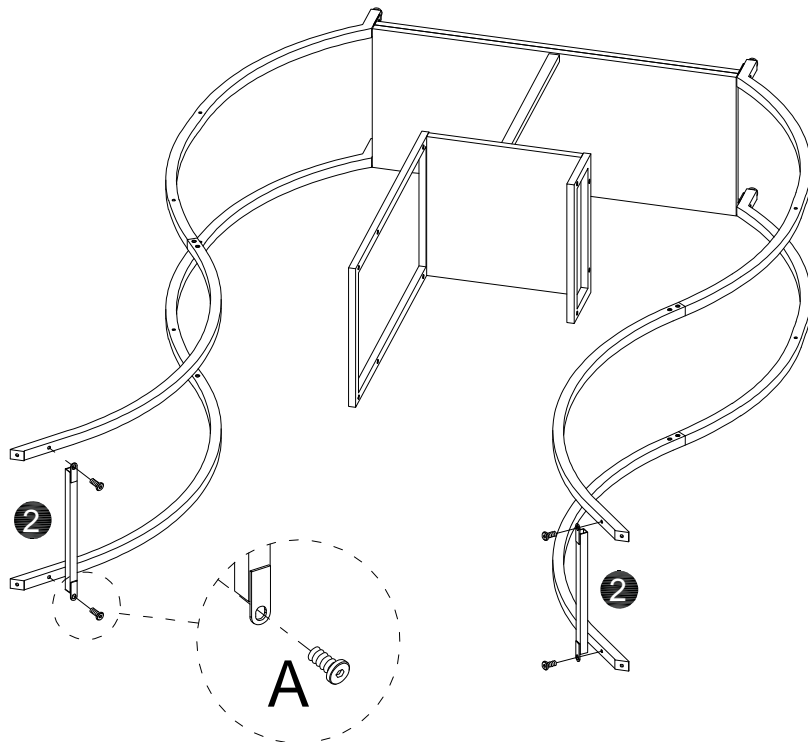
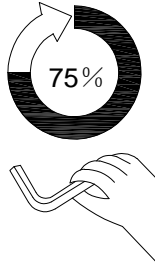
A	C
	
M6x12mm	M6x32mm
4 pcs	4 pcs


5



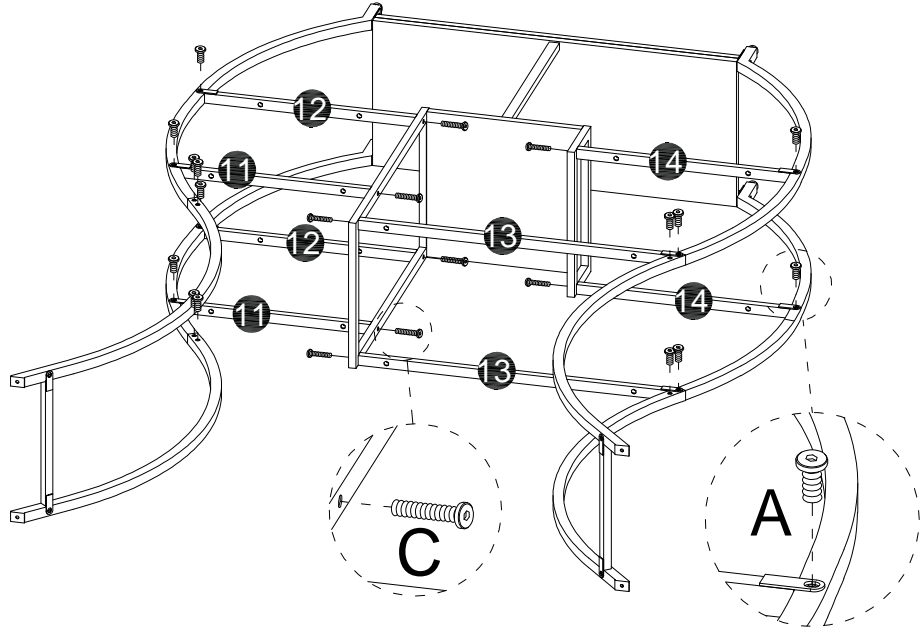
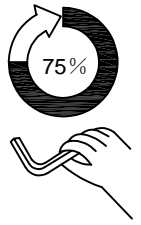
G

4 pcs

6



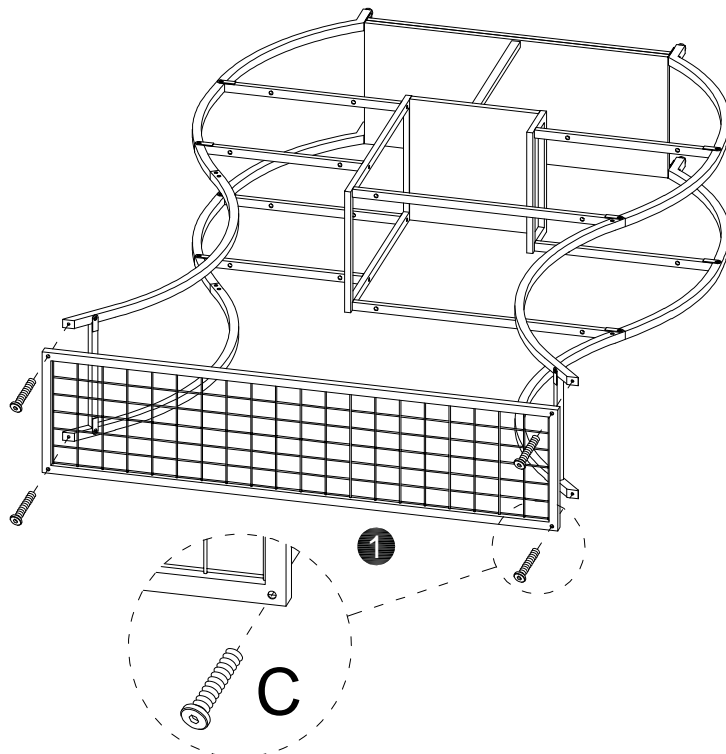
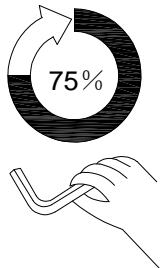
A

M6x12mm
4 pcs

7



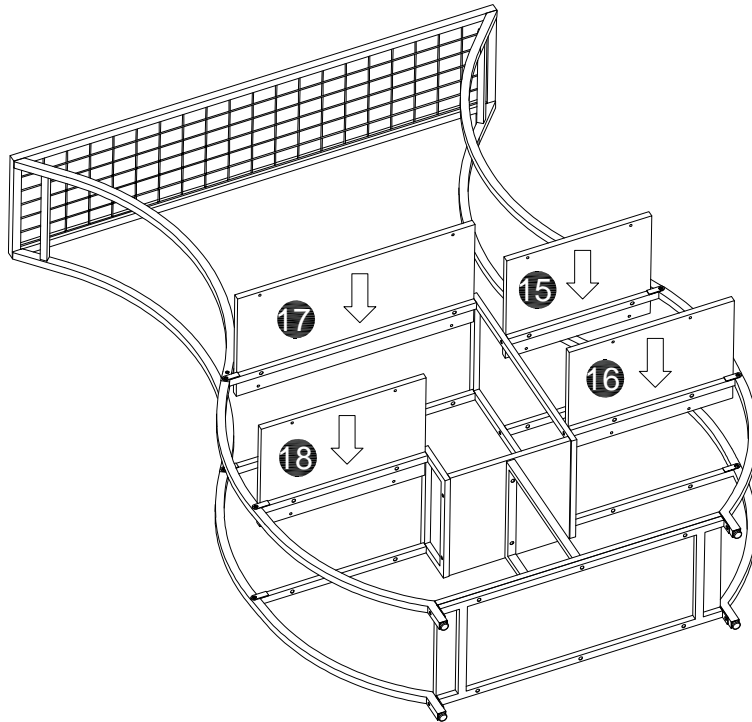
A	C
M6x12mm	M6x32mm
14 pcs	8 pcs

8

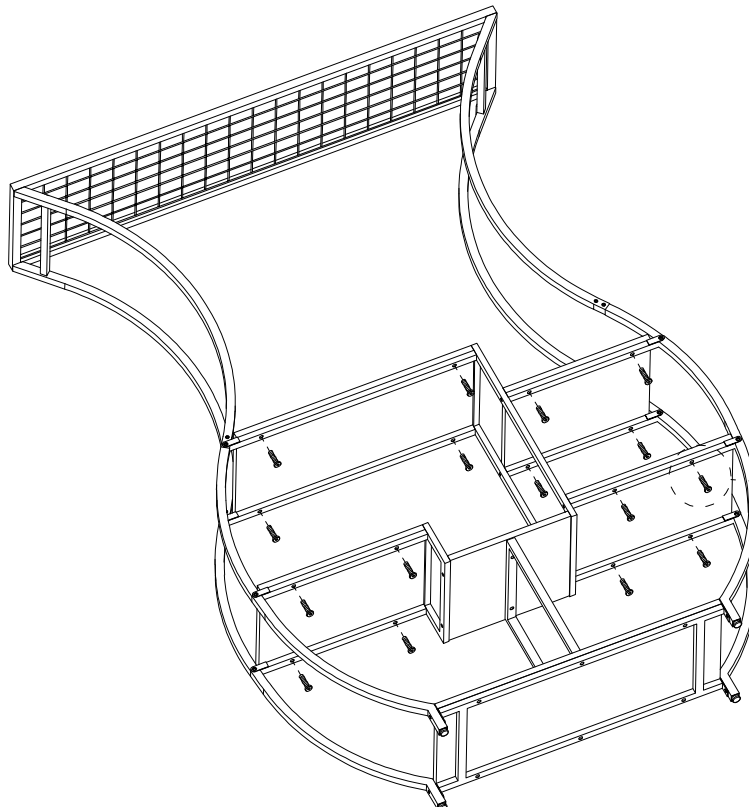
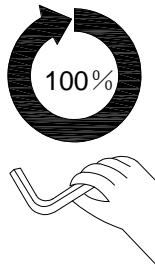



C
M6x32mm
4 pcs

9

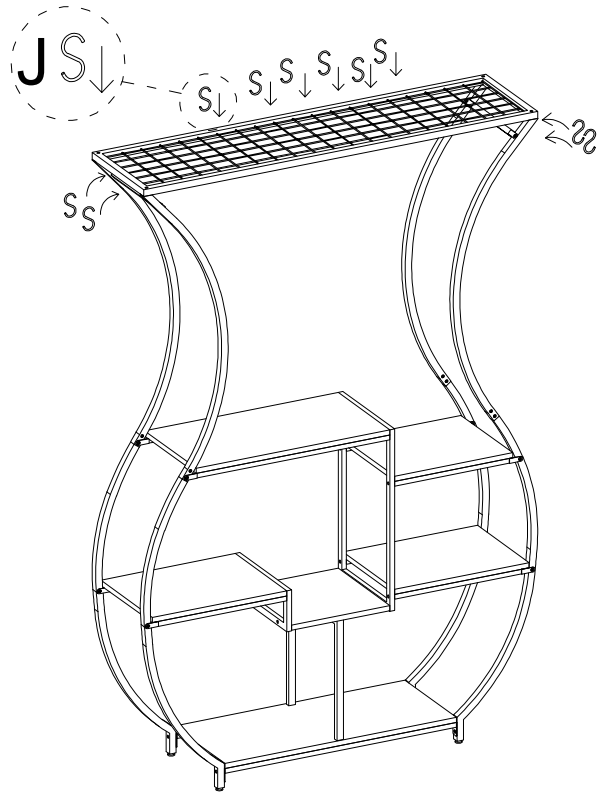


10



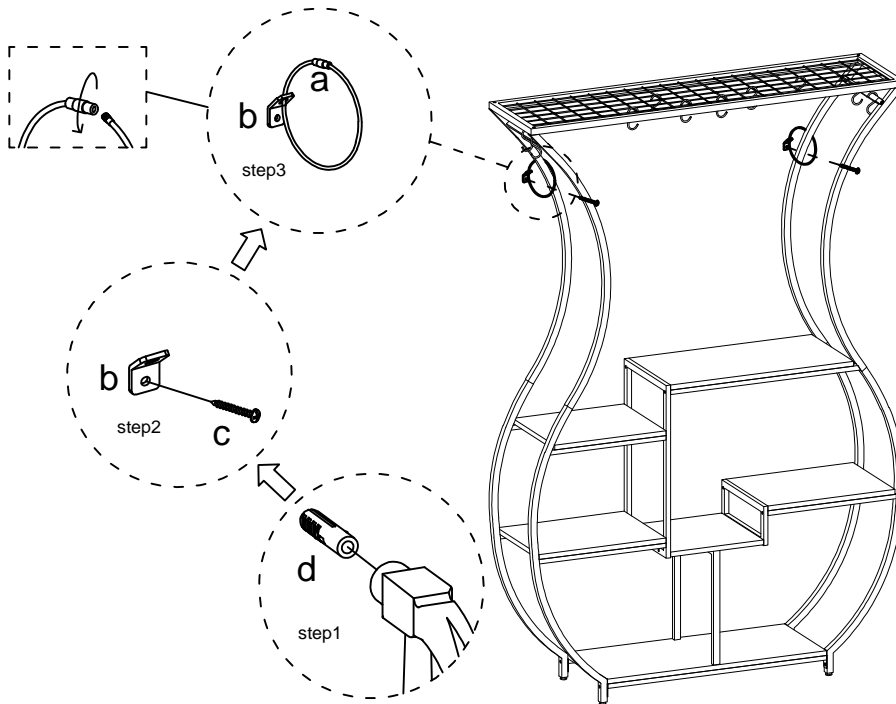
B

M6x25mm
16 pcs

11



J
S
10 pcs

12



E
2 pcs

- d
 2 pcs
- c
 2 pcs
- a
 2 pcs
- b
 2 pcs

Thank you for your support!

