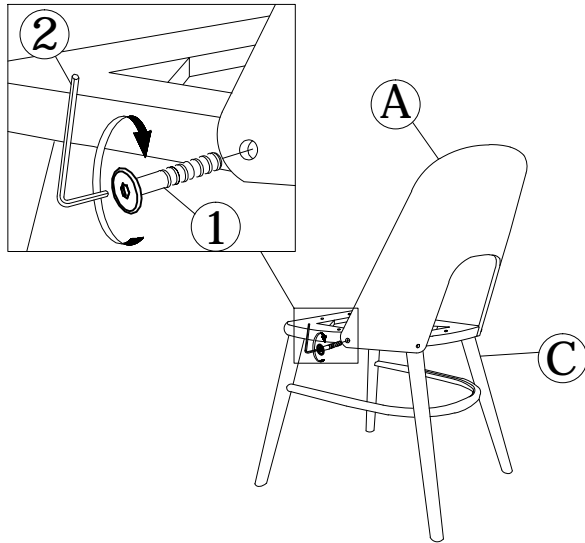
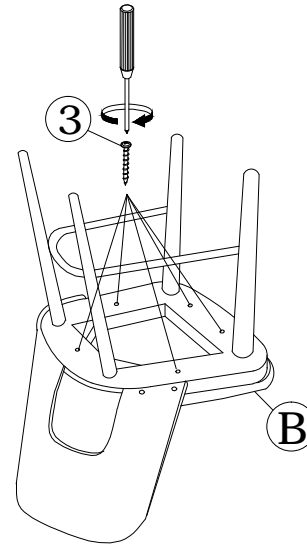


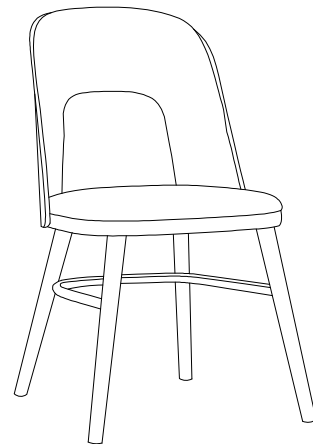
CHAIR



STEP 1



STEP 2





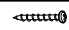
COMPLETED CHAIR ASSEMBLY

PRODUCT DESCRIPTION

Read instruction carefully. Remove all wrapping material, staples and straps from the carton. See Hardware and Furniture Parts List for guidance. Be sure you have all parts before you start assembling. Place all wooden furniture parts on a clean and flat soft surface, such as carpet or rug to prevent from being scratched.

CAUTION :

KEEP ALL HARDWARE PARTS OUT OF REACH OF CHILDREN.

HARDWARE LIST			
ITEM	DESCRIPTION		QTY
1	JCBB SCREW M6 X 30MM (BLACK)		4 PCS
2	ALLEN KEY M4 (BALL SHAPE)		1 PC
3	PH 5 X 32MM (BLACK)		5 PCS

PART LIST		
ITEM	DESCRIPTION	QTY
A	CHAIR BACK	1 PC
B	CHAIR SEAT	1 PC
C	SEAT FRAME	1 PC