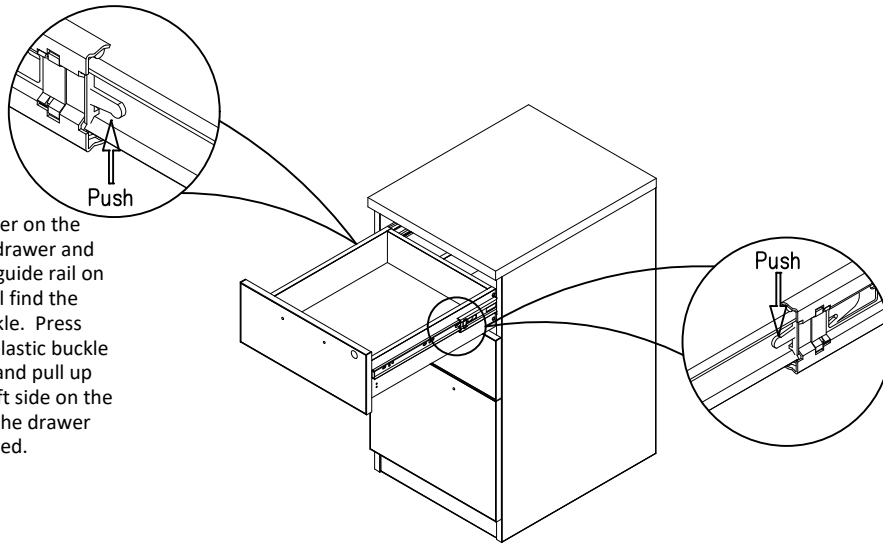


STEP

1

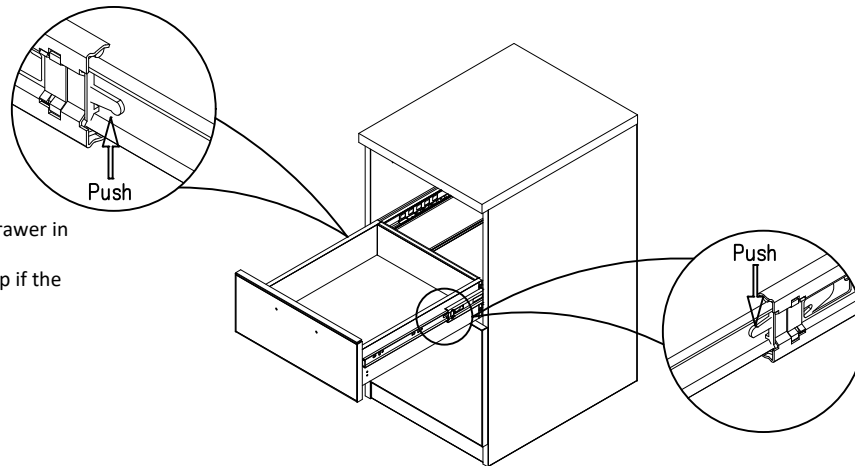
- Remove the drawer on the top: Pull out the drawer and carefully see the guide rail on both side, you will find the green plastic buckle. Press down the green plastic buckle on the right side and pull up the one on the left side on the same time, then the drawer will can be removed.



STEP

2

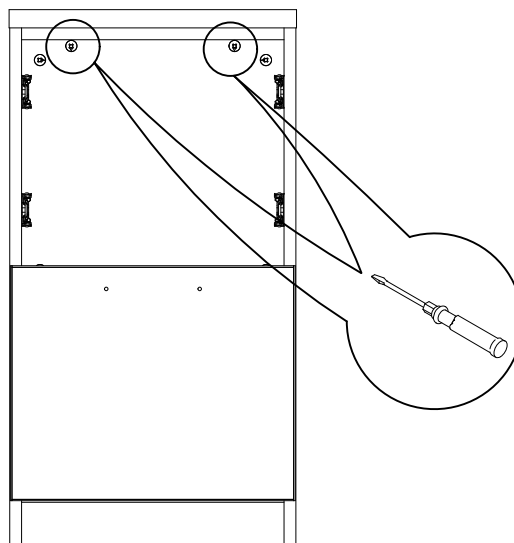
- Remove the middle drawer in the same way as step 1 (Note: Ignore this step if the cabinet only has two drawers.)



STEP

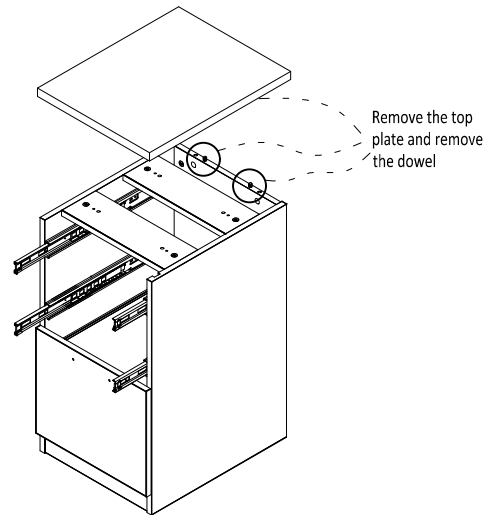
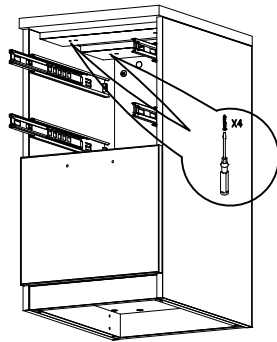
3

- Use a screwdriver to loosen the CAM Part at the back location of the top of the cabinet.



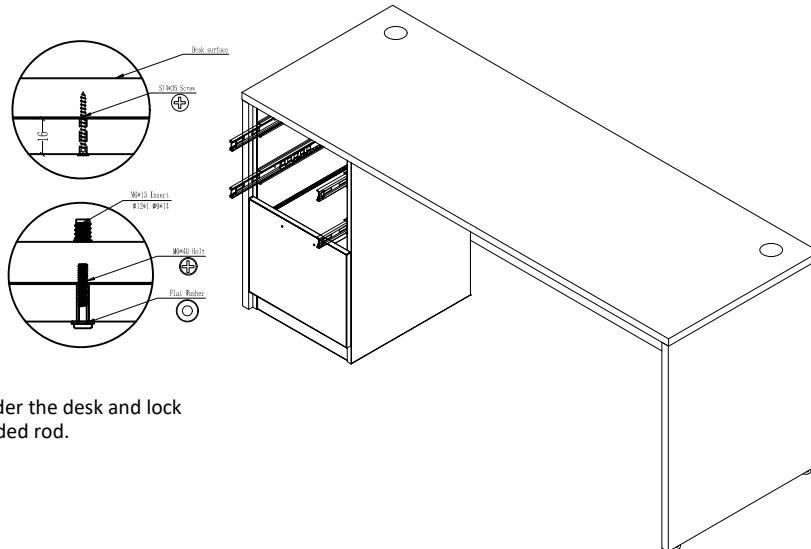
STEP 4

- Unscrew the 4 screws which connecting the top plate and the pull plate.
- Remove the top plate and remove the dowel.



STEP 5

- Put the cabinet under the desk and lock the screw or threaded rod.



STEP 6

- Reinstall the drawers removed earlier. (Note: Move and push in gently, do not bump or push violently.)

