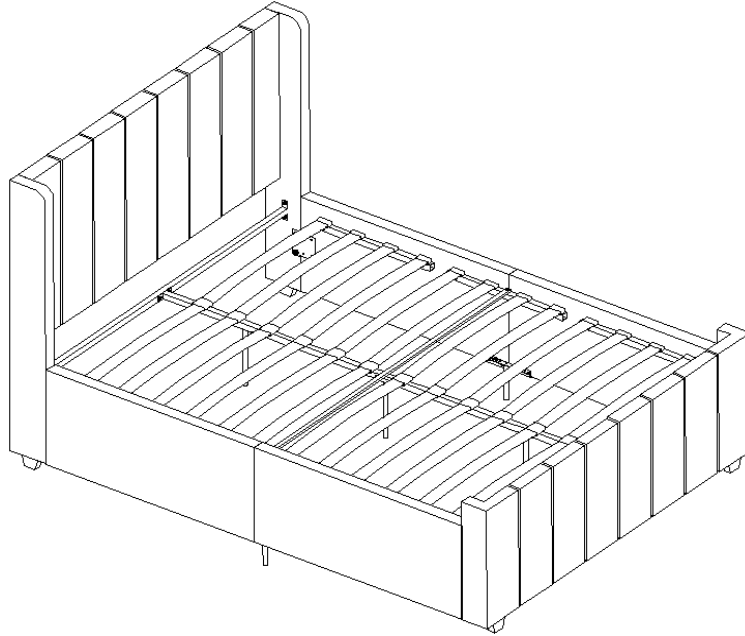


# Assembly Instructions

**Caution : You must read this before you proceed**

## **BED**



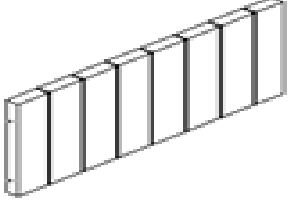

**NOTE : This Bed is NOT a TOY.**


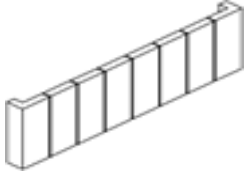
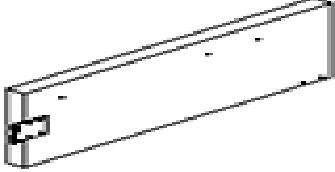
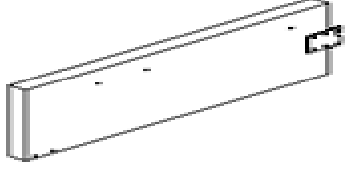
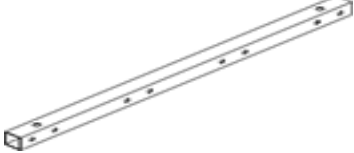
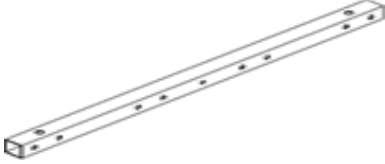



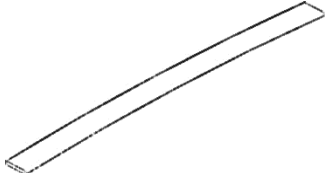
Keep your child / children at bay during the assembly process.




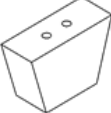
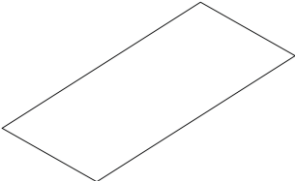
The BED is HEAVY.

To prevent injury to yourself or damage to the product a minimum of two adults are required whenever moving or lifting the product.











## Parts List



Label	Picture	Description	QTY
A		Headboard	1
B		Headboard Left Leg	1

C		Headboard Right Leg	1
D		Footboard	1
E		Side Rail(Labelled 'E')	2
F		Side Rail(Labelled 'F')	2
G		Side Cleat	4
H		Center Side Cleat	2
I		Support Leg For Side Rail	2
J		Support Leg	2
K		Center Support Rail	2
L		Slat	24

M		U-shaped Support Leg	1
N		Cross Center Support Rail	1
O		Headboard Support Rail	1
P		Leg	4
Q		Back Cover	1

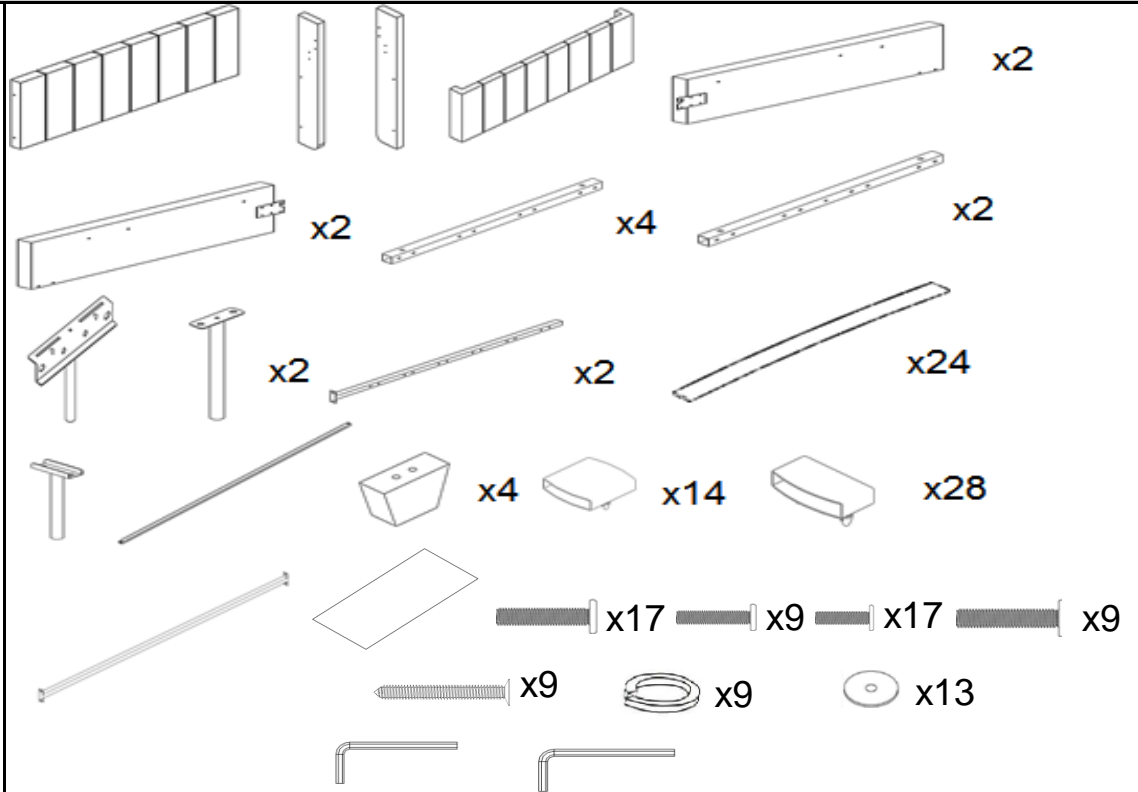
## Hardware

Label	Picture	Description	QTY
①		Bolt(M6 x 45mm)	17
②		Bolt(M8 x 30mm)	9
③		Bolt(M6 x 25mm)	17
④		Bolt(M6 x 30mm)	9
⑤		Screw(M4 x 60mm)	9
⑥		Spring Washer(φ6.5mm)	9
⑦		Flat Washer(φ6.5mm)	13
⑧		Allen Key(M6)	1
⑨		Allen Key(M8)	1
⑩		Center Slat Plug	14

⑪		Side Slat Plug	28
⑫		Screwdriver(Not Provide)	1

## Assembly Preparation

Before Beginning Assembly:



- Read instructions, cover to cover-



- Have 2 adults on hand for assembly-



- Do not assemble on flooring or carpet-

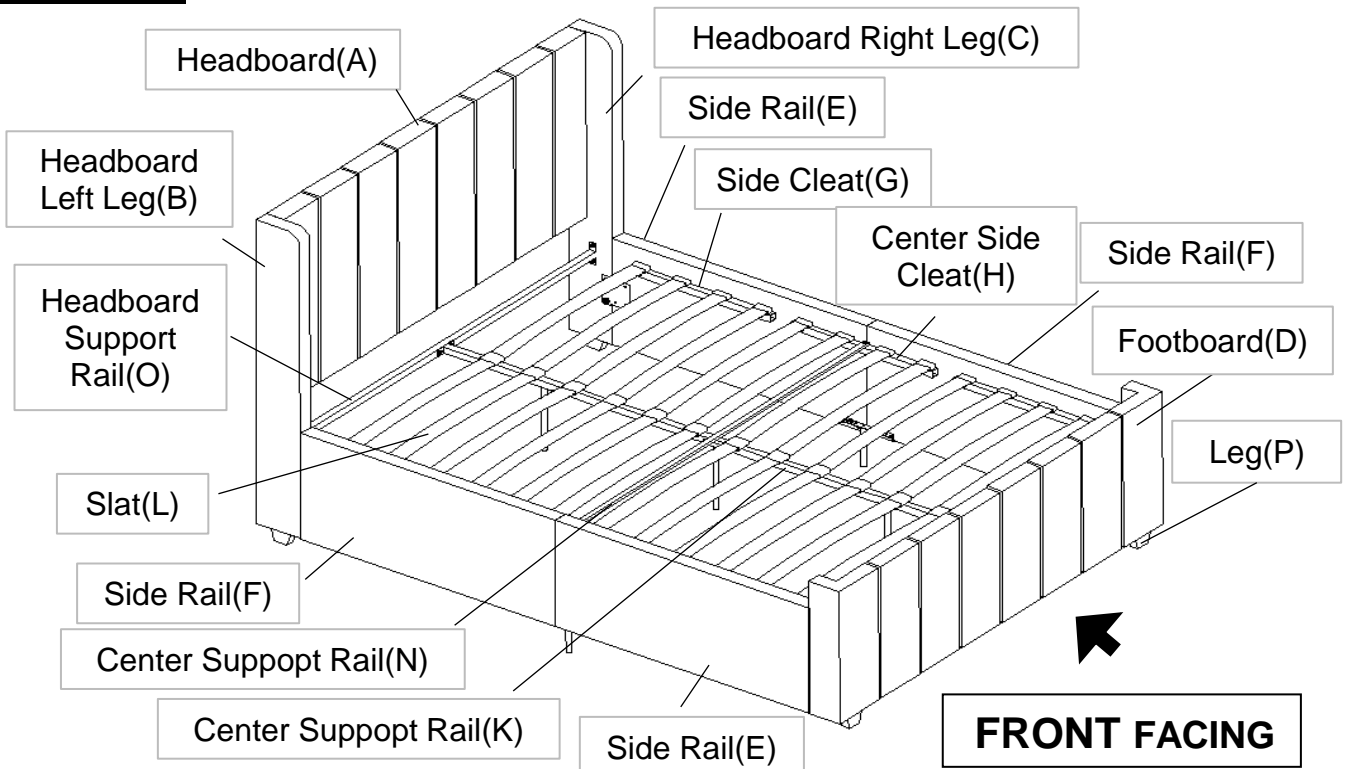


- Assemble on a clean non-marring surface (packing foam)-



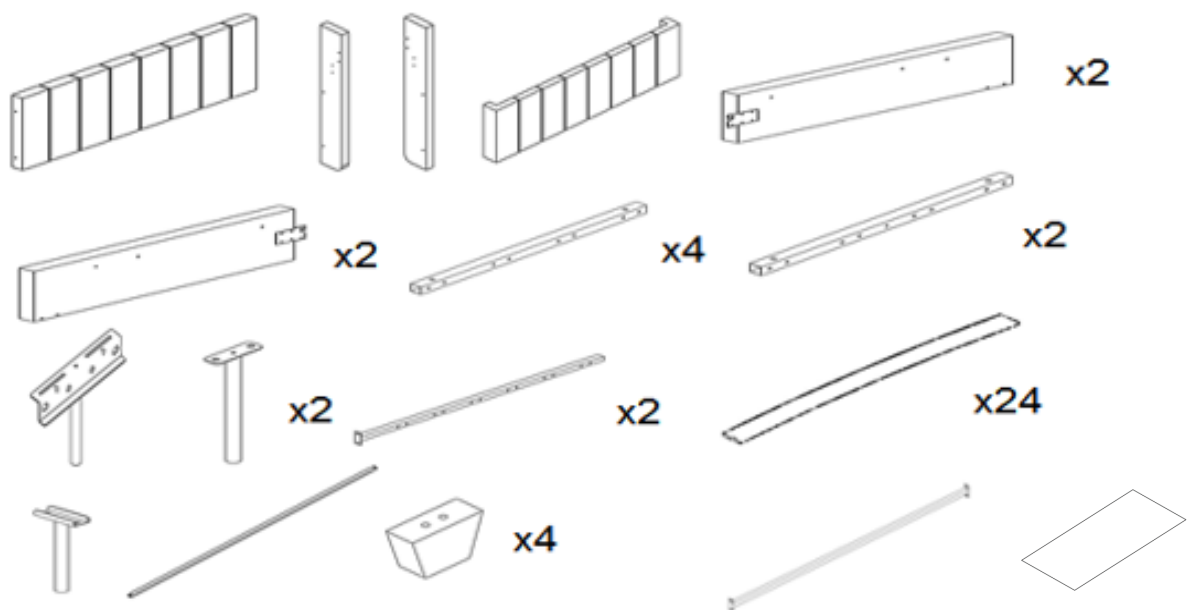
- Save all packaging until finished-

# Overview



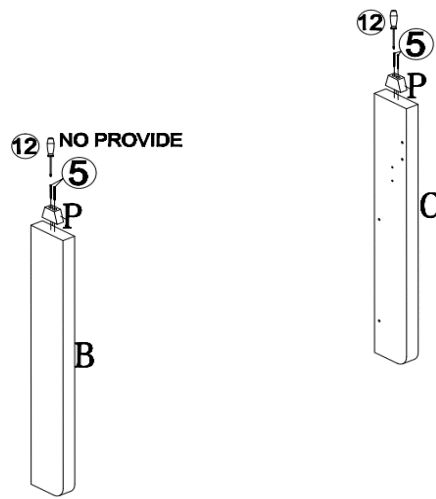
This Bed has multiple parts and may require up to 60 minutes to assemble. To give you an overview of the Bed parts, the above picture is to help you put the various Bed parts into perspective. Please read through the instructions below to familiarise yourself with the parts and steps before assembly.

## Step 1



Unpack and place all parts for clear visibility.

## Step 2

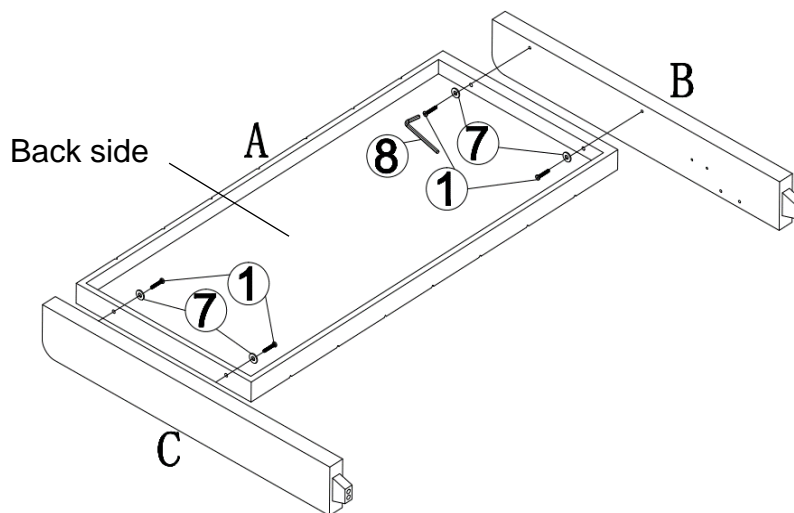


Place the Headboard Left Leg(B) and Headboard Right Leg(C) upside down as pix shown.

Attach Leg(P) to Headboard Left Leg(B) and Headboard Right Leg(C) using Screws(⑤) with Screwdriver(⑫).

Note: Turn the Headboard Left Leg(B) and Headboard Right Leg(C) rightside up after assembling.

## Step 3



Place the Headboard(A) face skywards onto a clean, soft surface to avoid any scratches or damages to the product.

Align the mounting position of the back of Headboard(A) to Headboard Right Leg(C) as shown.

Attach Headboard(A) to Headboard Right Leg(C) using Bolts(①) and Flat Washer(⑦) with Allen Key(⑧).

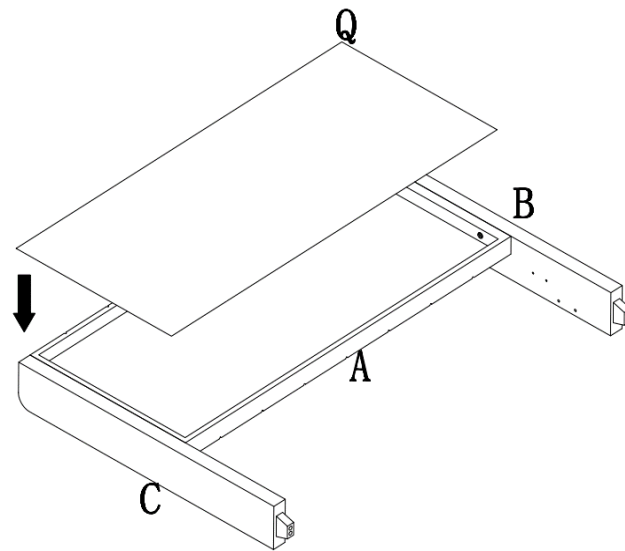
Then, repeat the same step to assemble Headboard Left Leg(B) to Headboard(A).

**Note: Remove the Cover at the back of Headboard(A) before assembling Headboard Foot.**

**Turn Headboard(A) rightside up after assembling.**

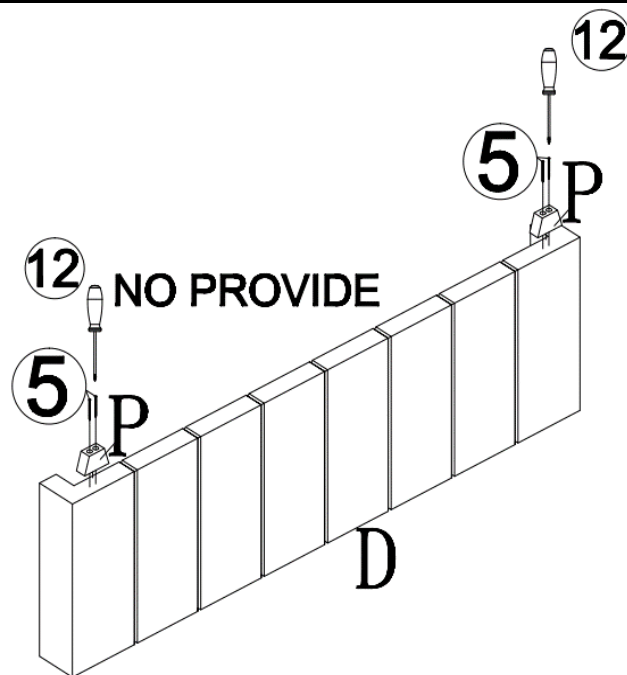
**Do not overtighten.**

## Step 4



Seal the Back Cover(Q) on the back of the Headboard Frame(A&B&C).

## Step 5

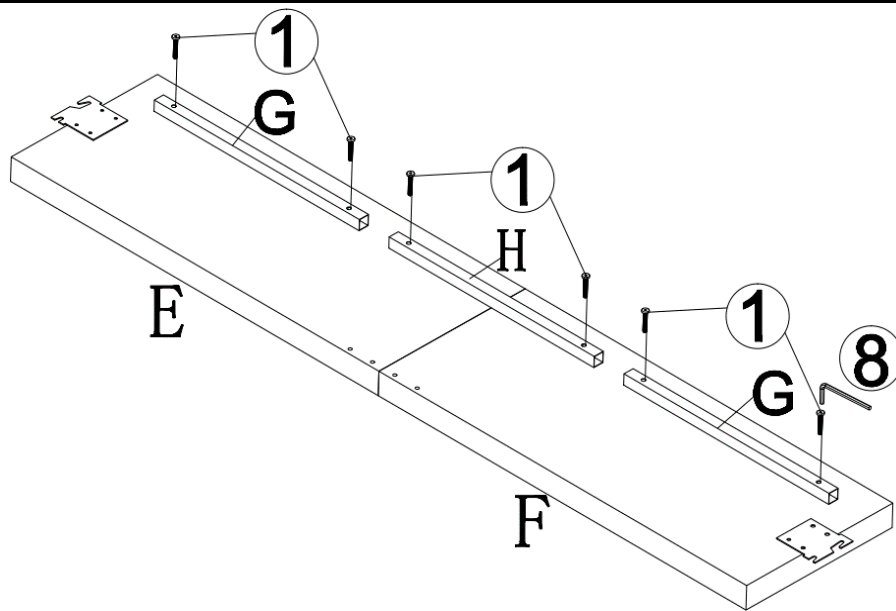


Place the Footboard(D) upside down as pix shown.

Attach Leg(P) to Footboard(D) using Screws(5) with Screwdriver(12).

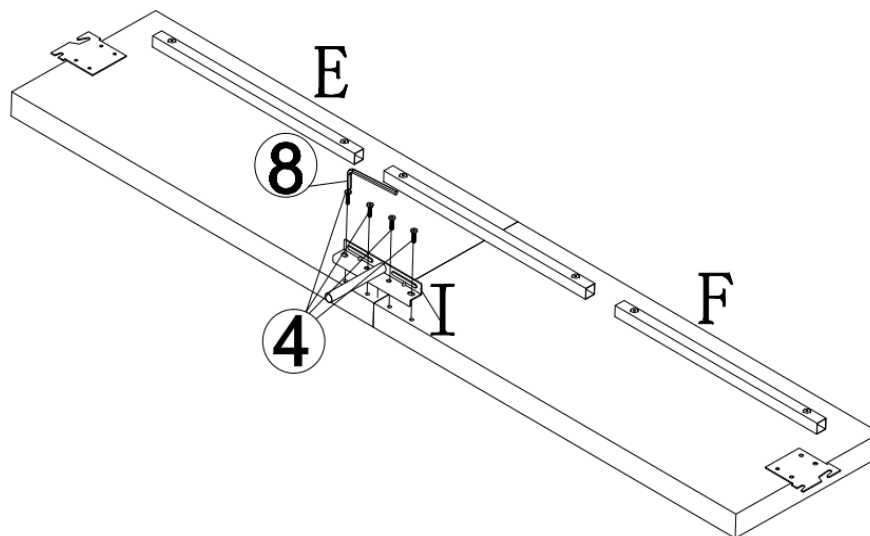
Note: Turn Footboard(D) rightside up after assembling.

## Step 6



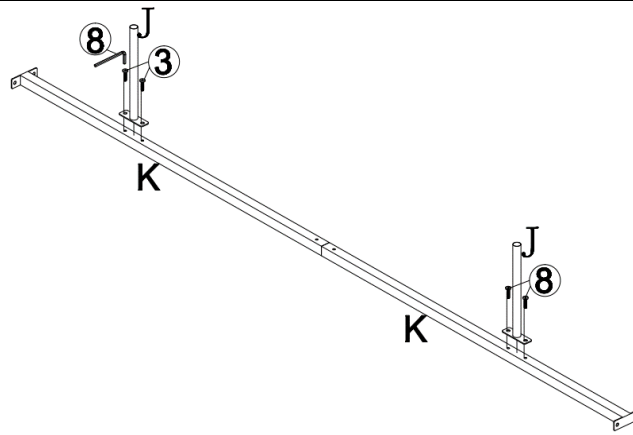
Place the Side Rail(E&F) face skywards onto a clean, soft surface to avoid any scratches or damages to the product.  
Align the mounting position of Side Cleat(G) and Center Side Cleat(H) to Side Rail(E&F).  
Attach Side Cleat(G) and Center Side Cleat(H) to Side Rail(E&F) using Bolts(①) with Allen Key(⑧).  
Repeat same step to attach the other Side Rail(E&F).  
Note: Turn Side Rail Frame(E&F&G&H) rightside up after assembling and the mounting positions face upside.

## Step 7



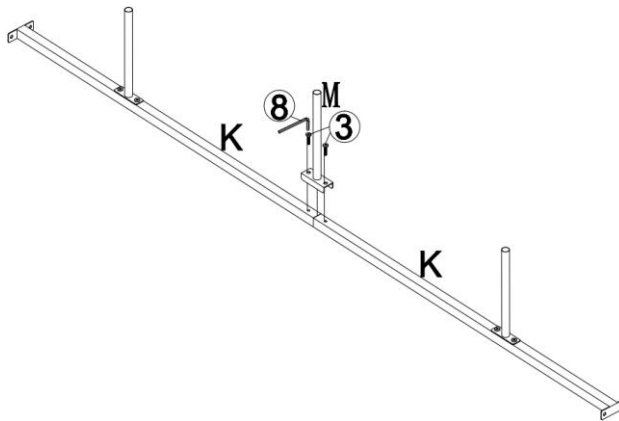
Attach Support Leg For Side Rail(I) to assembled Side Rail Frame(E&F) using Bolts(④) with Allen Key(⑧).  
Repeat same step to assemble the other Support Leg For Side Rail(I) to the other assembled Side Rail Frame(E&F).  
Note: Turn assembled Side Rail Frame(E&F) rightside up after assembling.

## Step 8



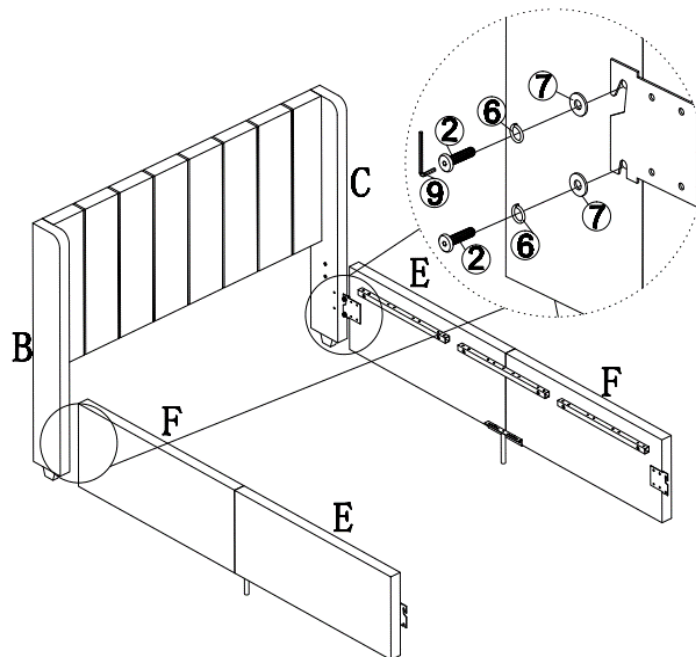
Attach Support Leg(J) to Center Support Rail(K) using Bolts(③) with Allen Key(⑧) as shown.

## Step 9



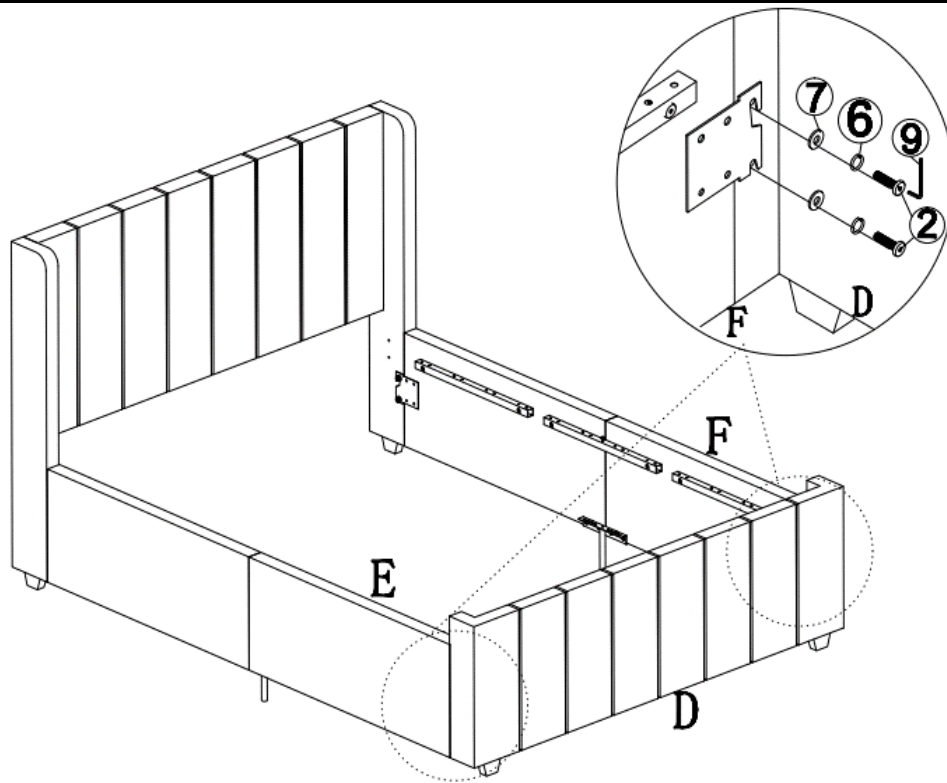
Align two Center Support Rail(K) together with U-shaped Support Leg(M). Attach U-shaped Support Leg(M) to Center Support Rail(K) by tightening using Bolts(③) with Allen Key(⑧) as shown.

## Step 10



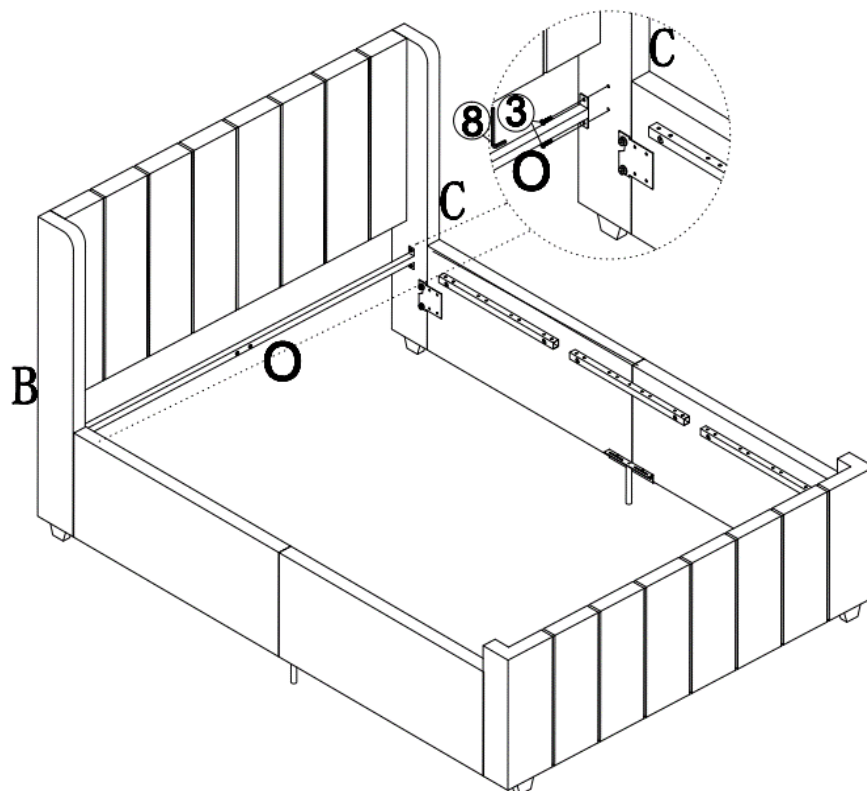
With the help of adult partner, align the mounting position of metal plate on Side Rail(E) to Headboard Right Leg(C). Attach metal plate on Side Rail(E) to Headboard Right Leg(C) using Flat Washers(⑦), Spring Washers(⑥) and Bolts(②) with Allen Key(⑨). Repeat the same step to attach Side Rail(F) to Headboard Left Leg(B).

## Step 11



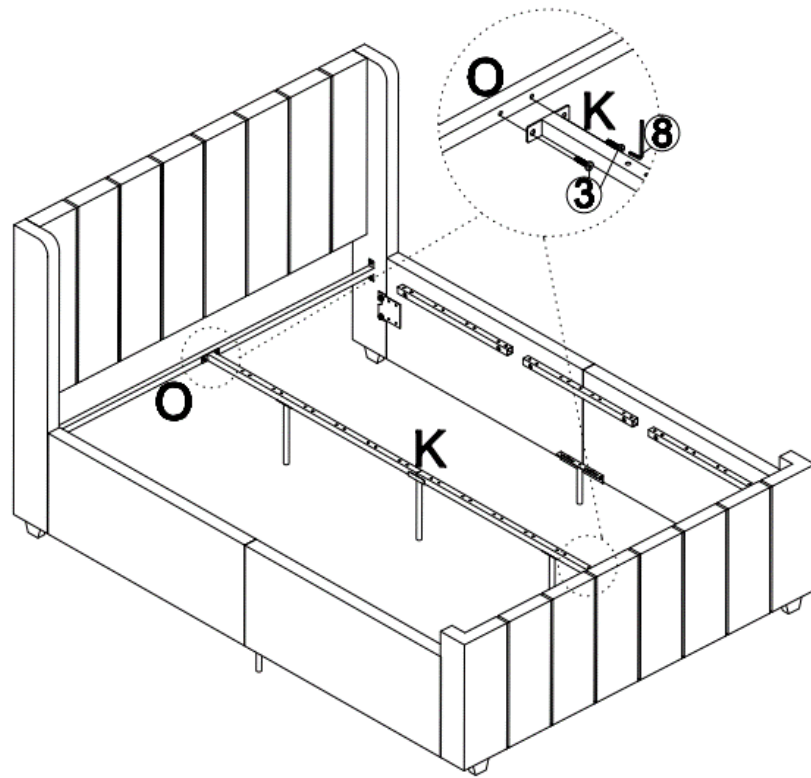
Align the mounting position of metal plate on Side Rail(F) to Footboard(D).  
Attach metal plate on Side Rail(F) to Footboard(D) using Flat Washers(⑦), Spring Washers(⑥) and Bolts(②) with Allen Key(⑨).  
Repeat the same step to assemble side Rail(E) to Footboard(D).

## Step 12



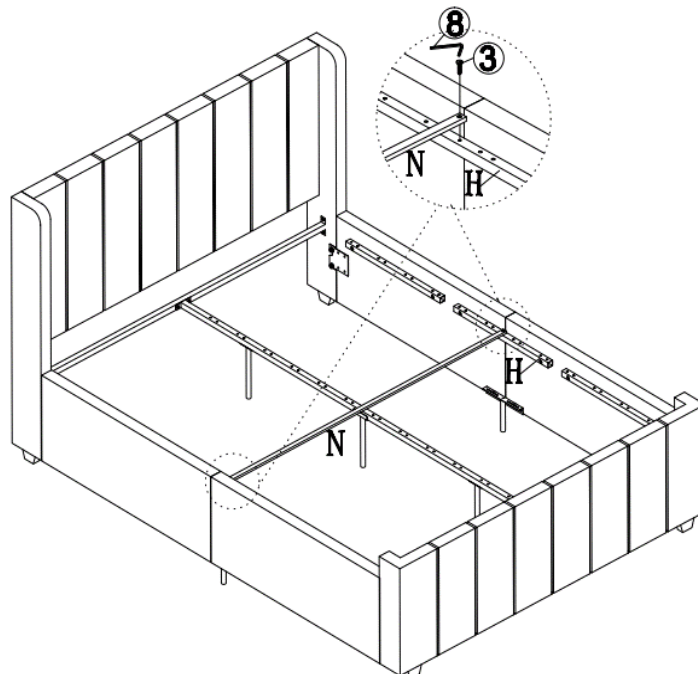
Attach Headboard Support Rail(O) to Headboard Left Leg(B) and Headboard Right Leg(C) using Bolts(③) with Allen Key(⑧).

## Step 13



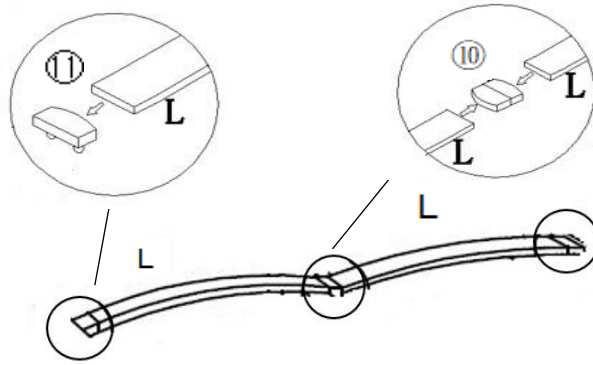
Turn the assembled Center Support Rail(K) rightside up.  
Attach Center Support Rail(K) to Headboard Support Rail(O) and  
Footboard(D) using Bolts(③) with Allen Key(⑧).  
Note: After assembling Center Support Rail(K), the mounting positions of  
them facing upside.

## Step 14



Attach Cross Center Support Rail(N) to Center Side Cleat(H) using  
Bolts(③) with Allen Key(⑧).

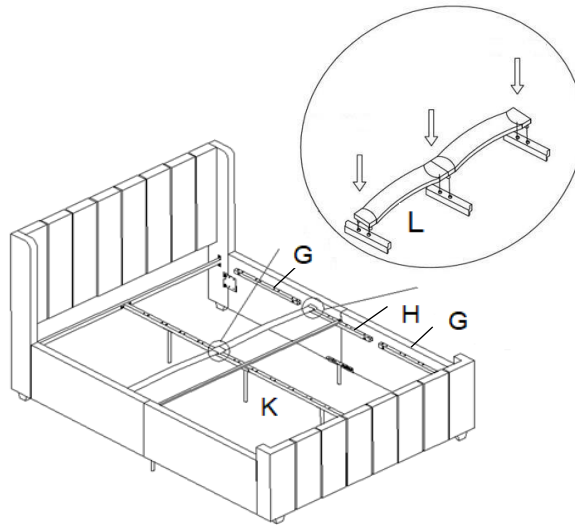
## Step 15



Attach Center Slat Plug(10) and Side Slat Plug(11) to Slat(L) as pix shown.

Repeat same step to assemble remaining Slat(L).

## Step 16

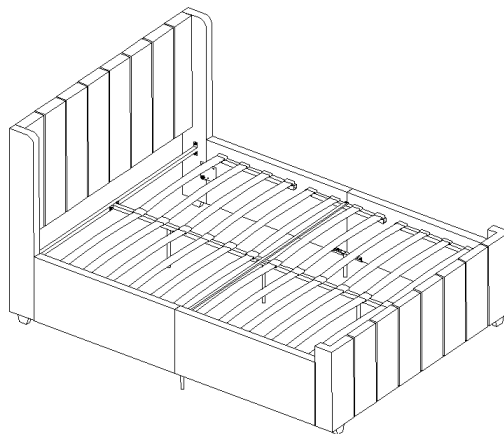


**Now tighten all Bolts fully at all joints in a sequential manner.**

Then, align assembled Slat(L) to the mounting position of Side Cleat(G), Center Side Cleat(H) and Center Support Rail(K) by pressing with hands.

**Note: If necessary, tap assemble slat to ensure it is fully slotted into position.**











## Step 17



Your Bed is ready for use.

**Note: After assembly and before using the bed, inspect to make sure all parts are properly connected and securely fastened.**

## Care & Maintenance

-  Do not put hot items directly on furniture surface
  -  Do not clean furniture with harsh cleansers or polish.
  -  Do not place furniture under direct sunlight.
  -  Do not place furniture near heating or cooling vents.
  -  Do not write on furniture without a padded barrier to protect the surface.
  -  Do not place furniture outside . For indoor use only .
  -  Not for commercial use. For residential use only .
  -  Stains may be removed with mild soap solution and damp cloth.
  -  Children should not climb or jump on the furniture.
- 
-  Dust and pick-up spills using a clean, non-colored, lint-free cloth .