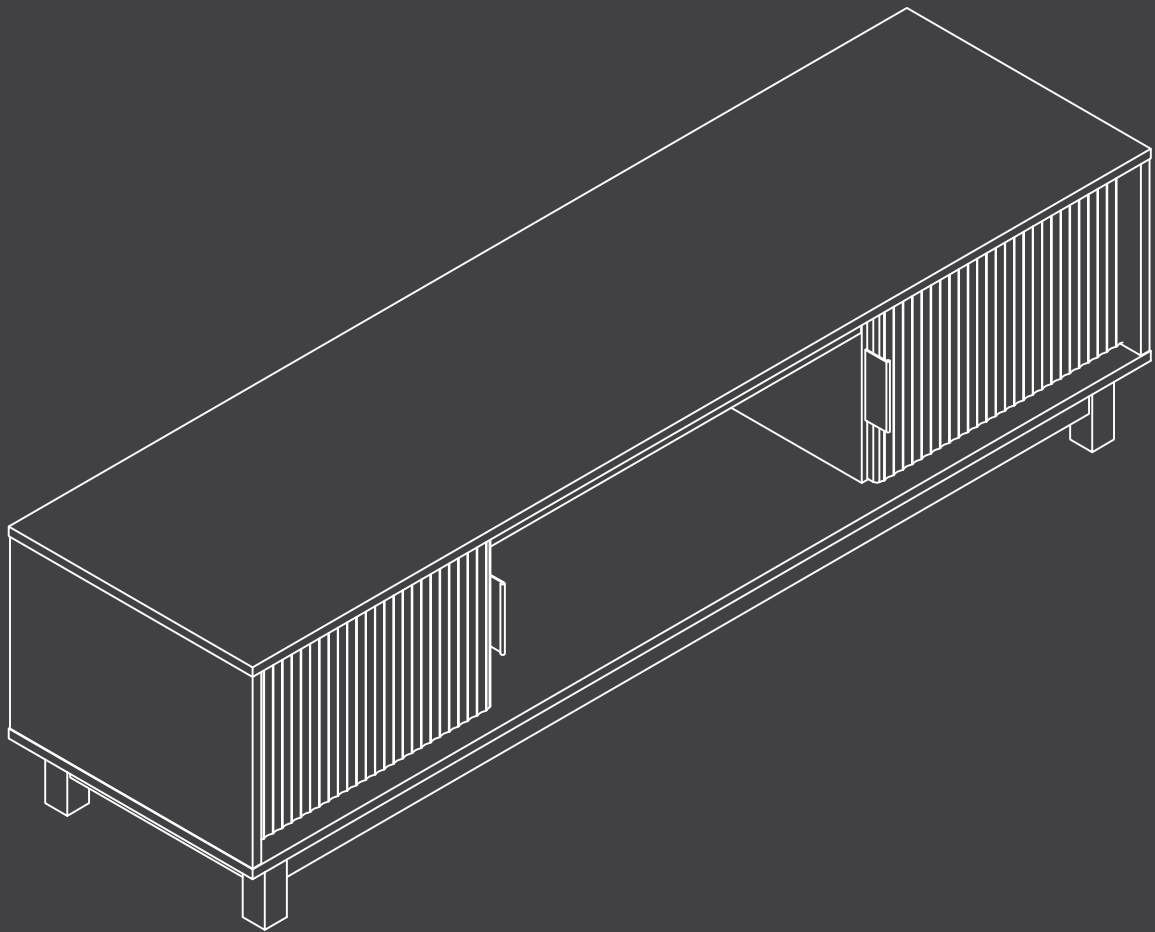
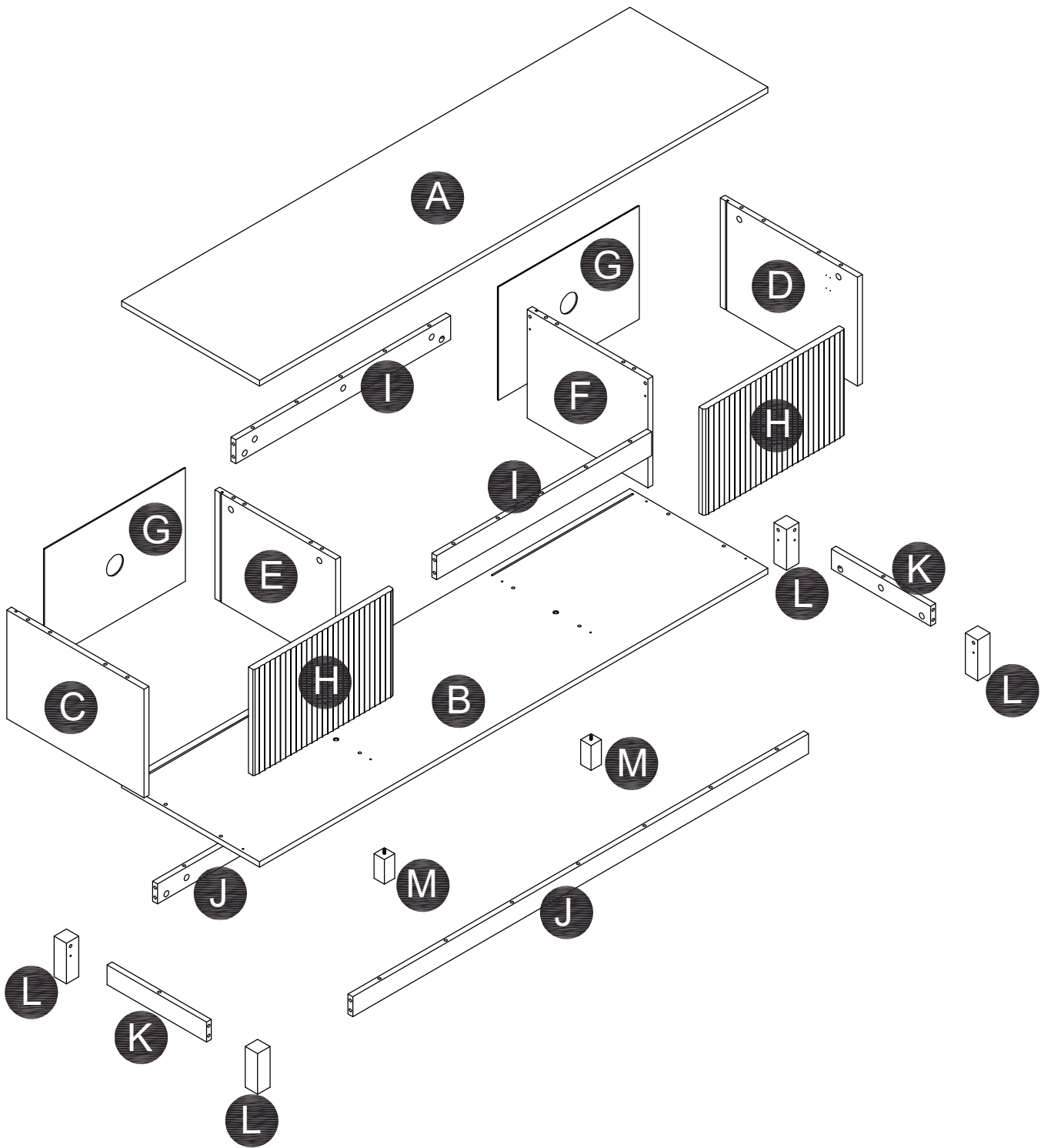


TV STAND

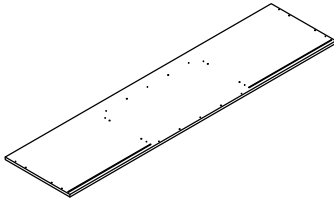
Instruction Manual



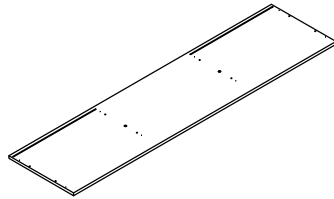


1 Components List

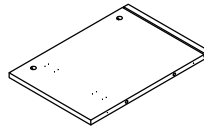
A X1



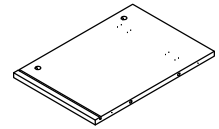
B X1



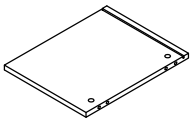
C X1



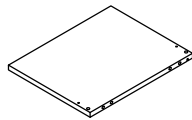
D X1



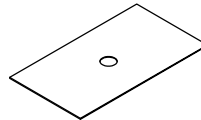
E X1



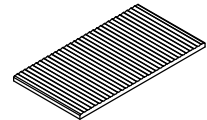
F X1



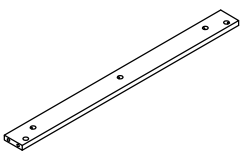
G X2



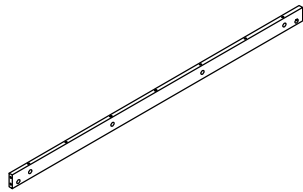
H X2



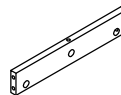
I X2



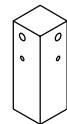
J X2



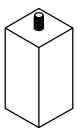
K X2



L X4

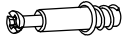


M X2



2 Supplied Parts and Hardware

① X36+2



M6x34mm

② X36+2



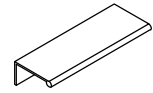
M15x9.5mm

③ X38+2

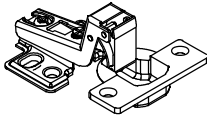


M8x30mm

④ X2



⑤ X4



⑥ X24+2



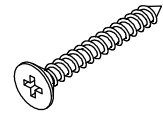
Nickel color
M3.5x12mm

⑦ X4



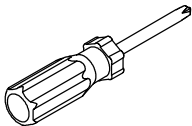
M3.5x12mm

⑧ X8



M4x30mm

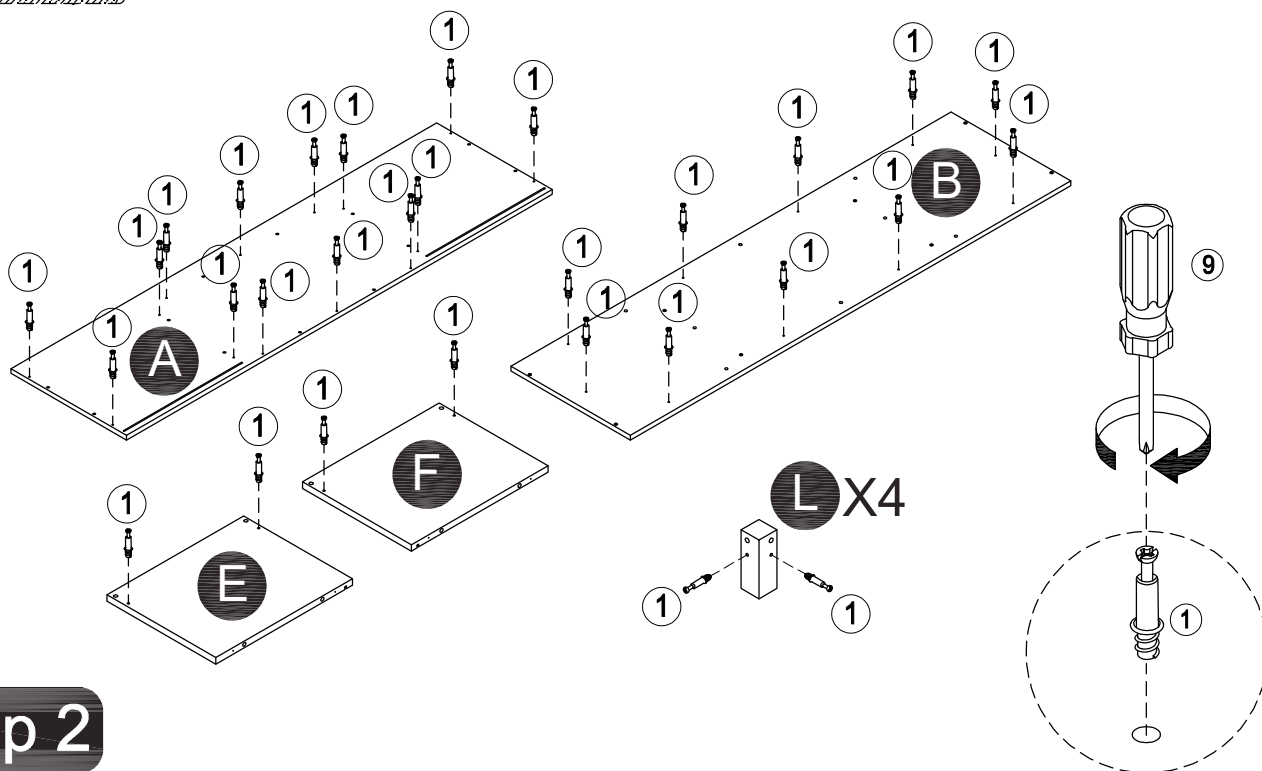
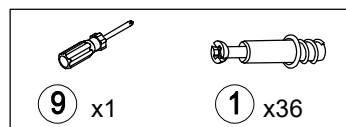
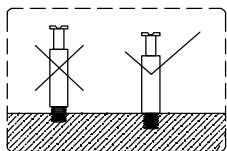
⑨ X1



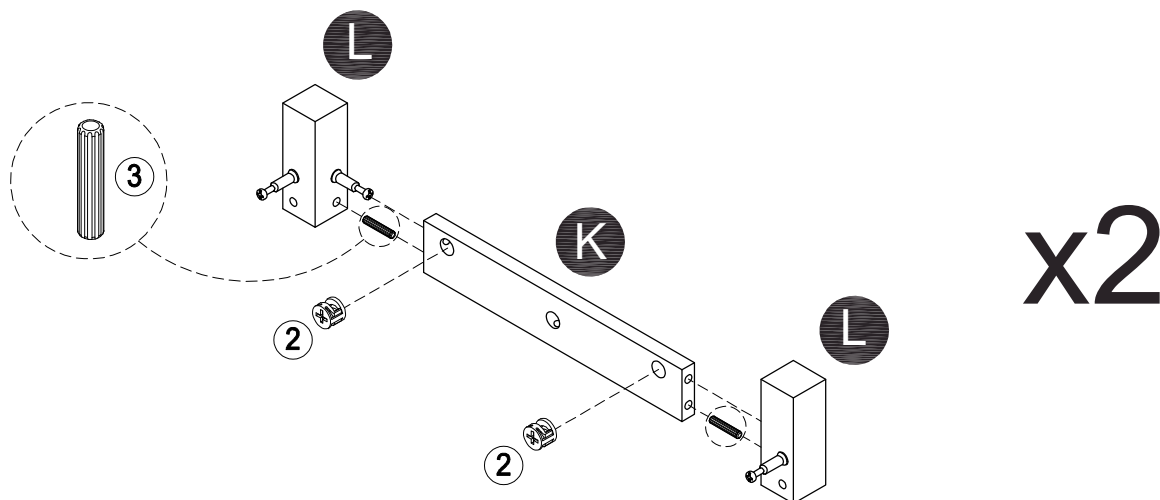
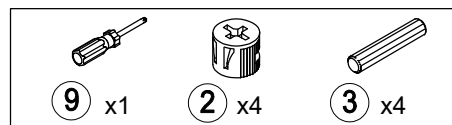
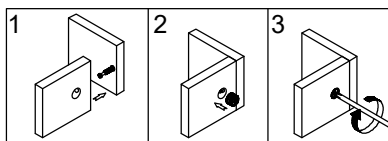
NOTE: This product requires at least two people for installation.

3 Assembly Instruction

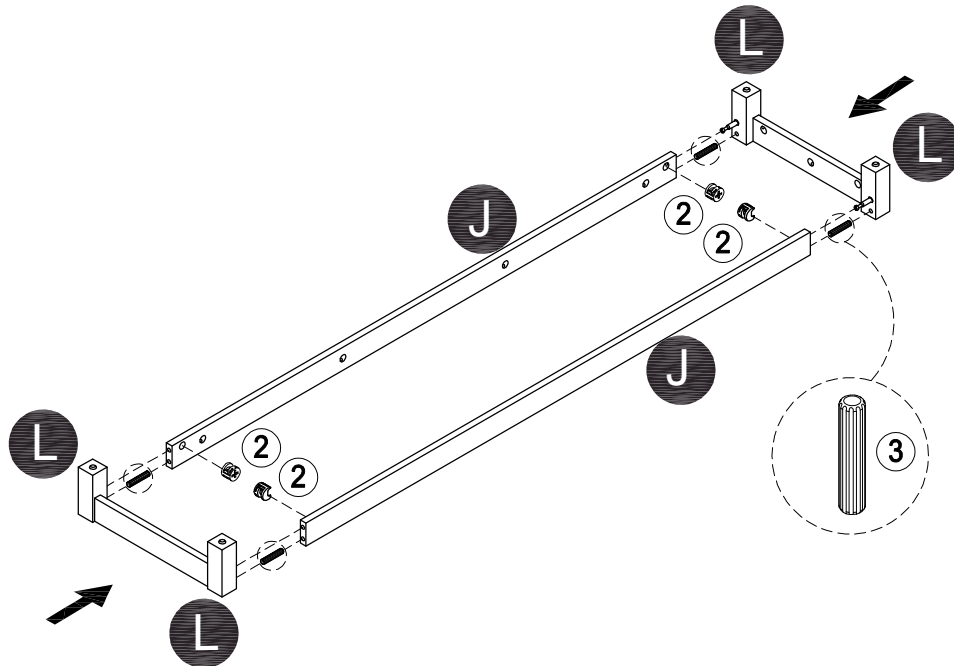
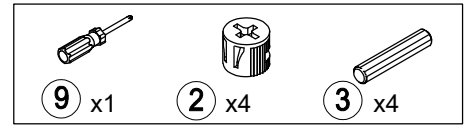
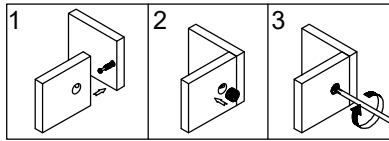
Step 1



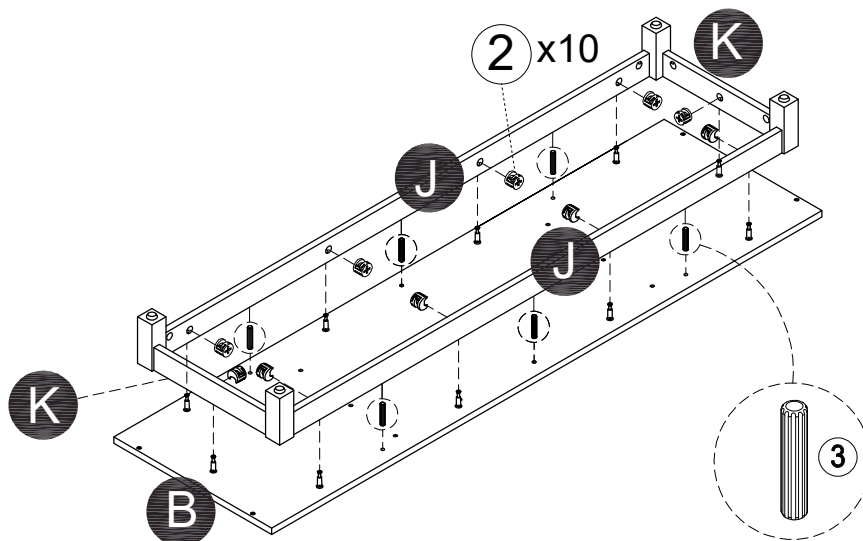
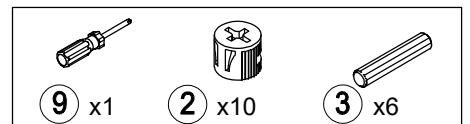
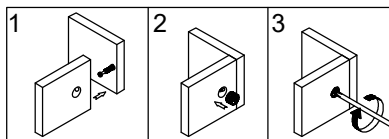
Step 2



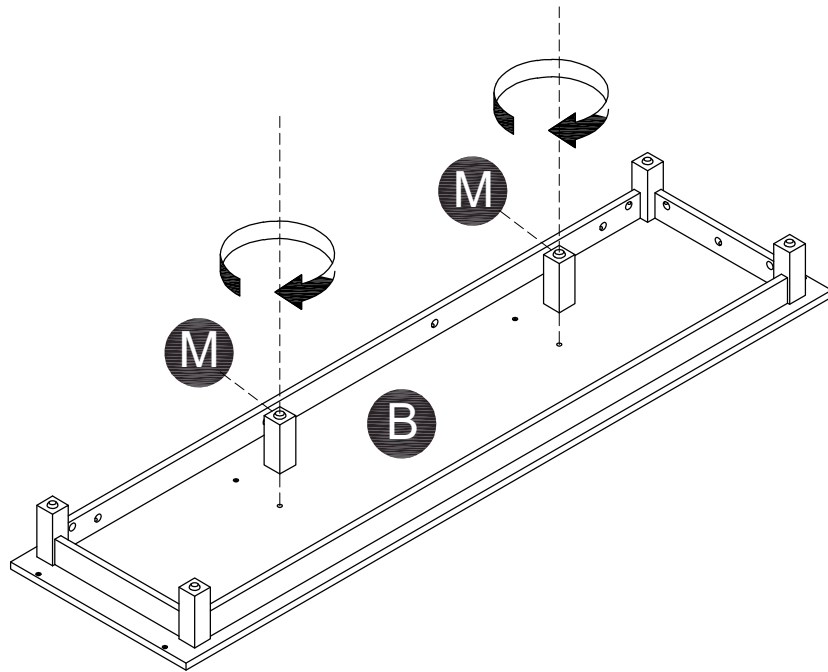
Step 3



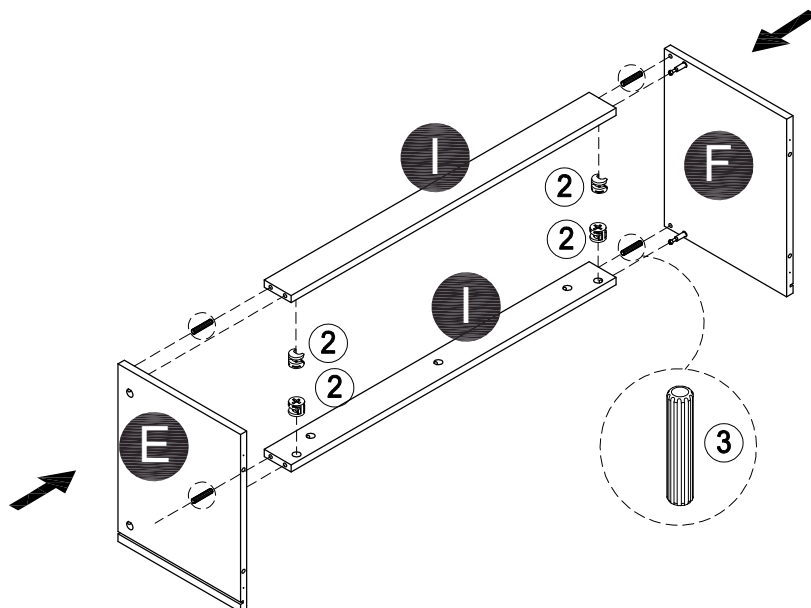
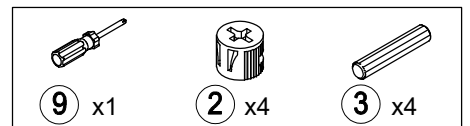
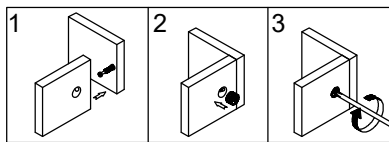
Step 4



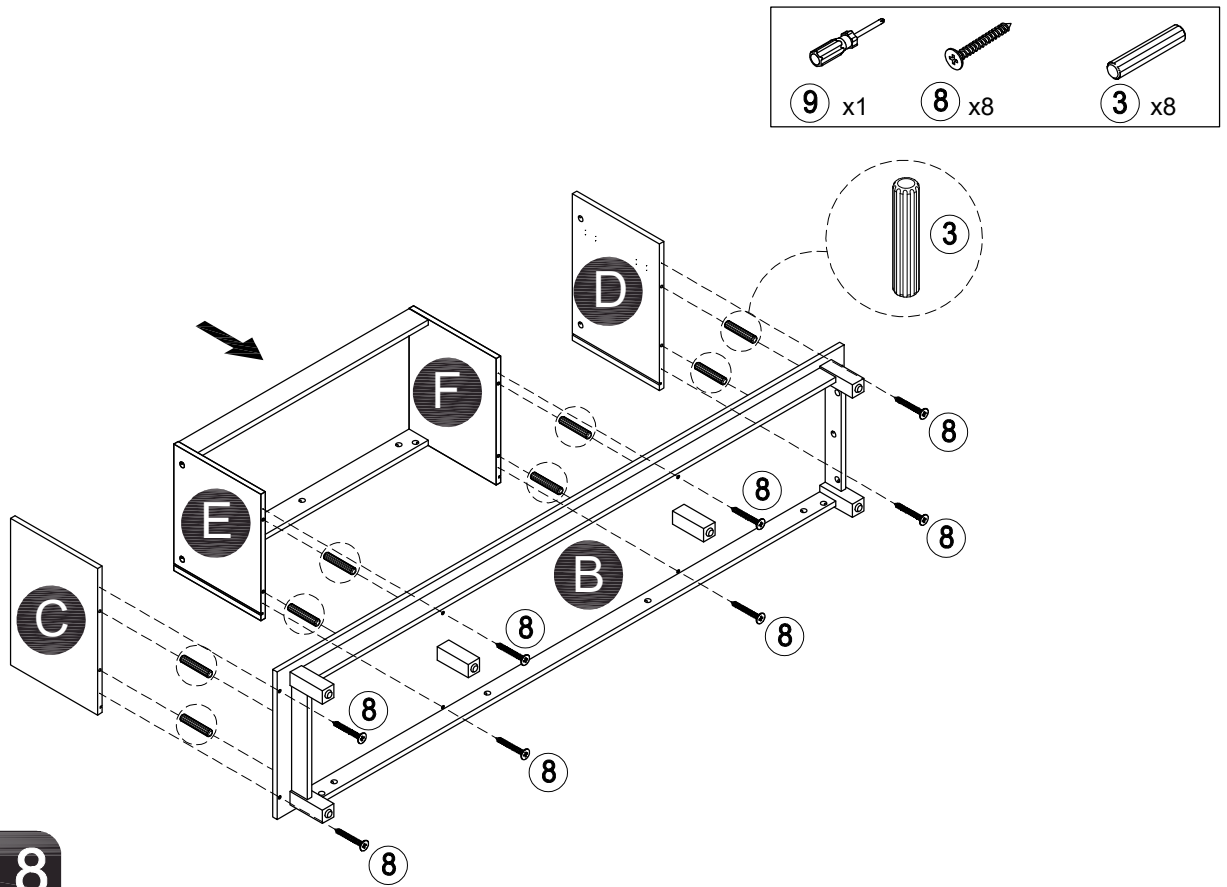
Step 5



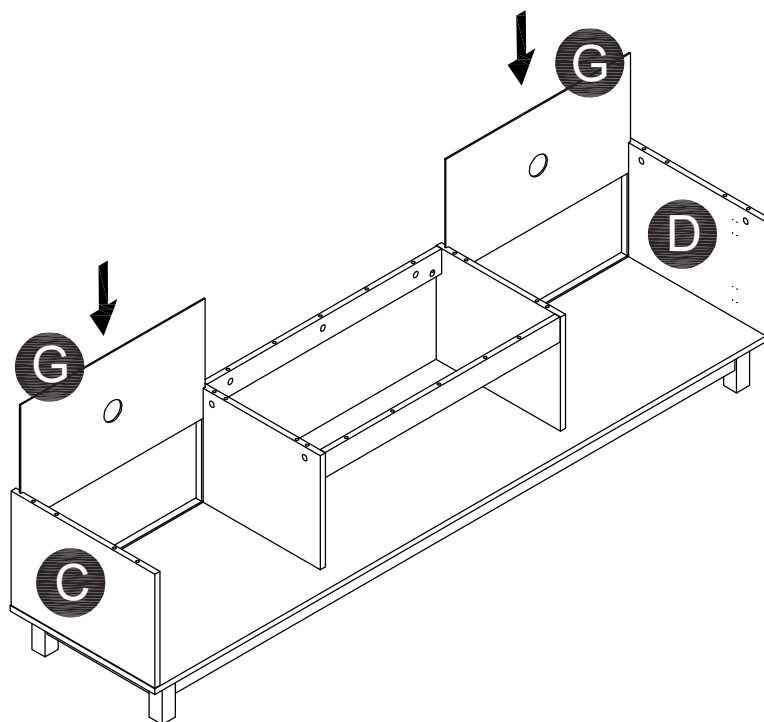
Step 6



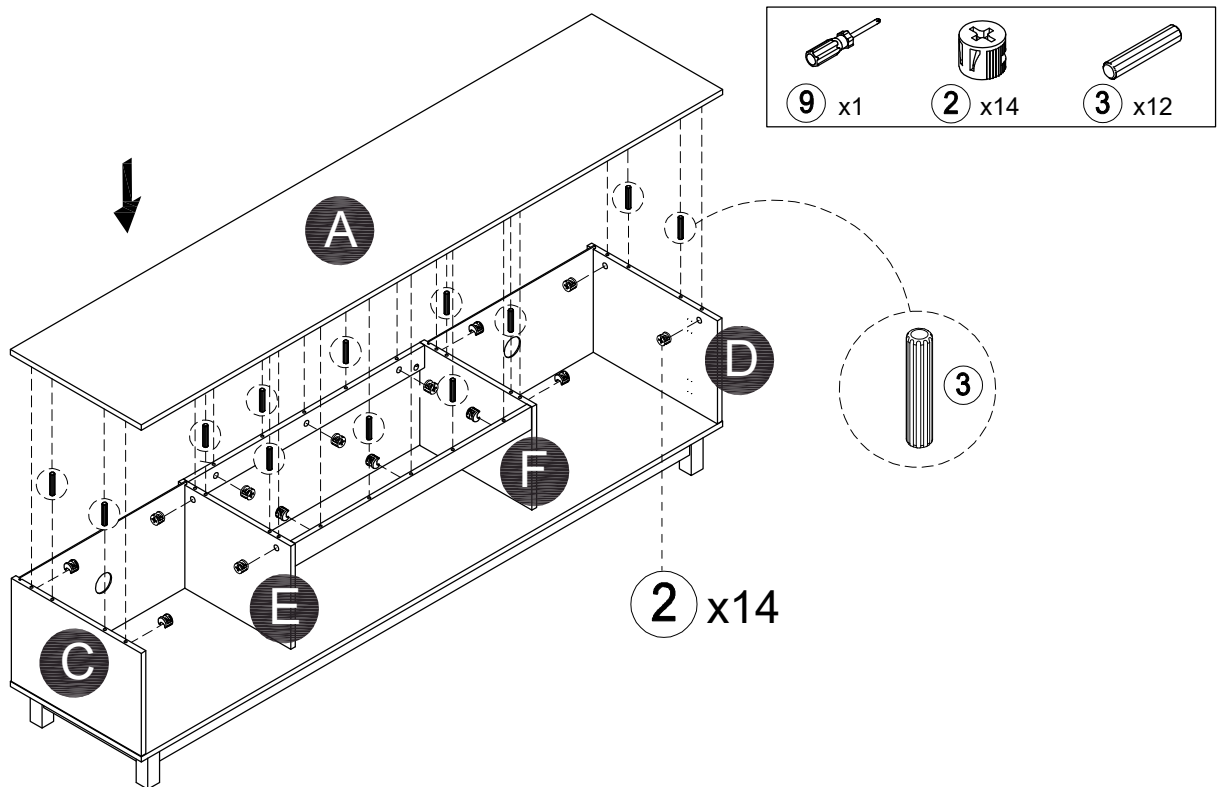
Step 7



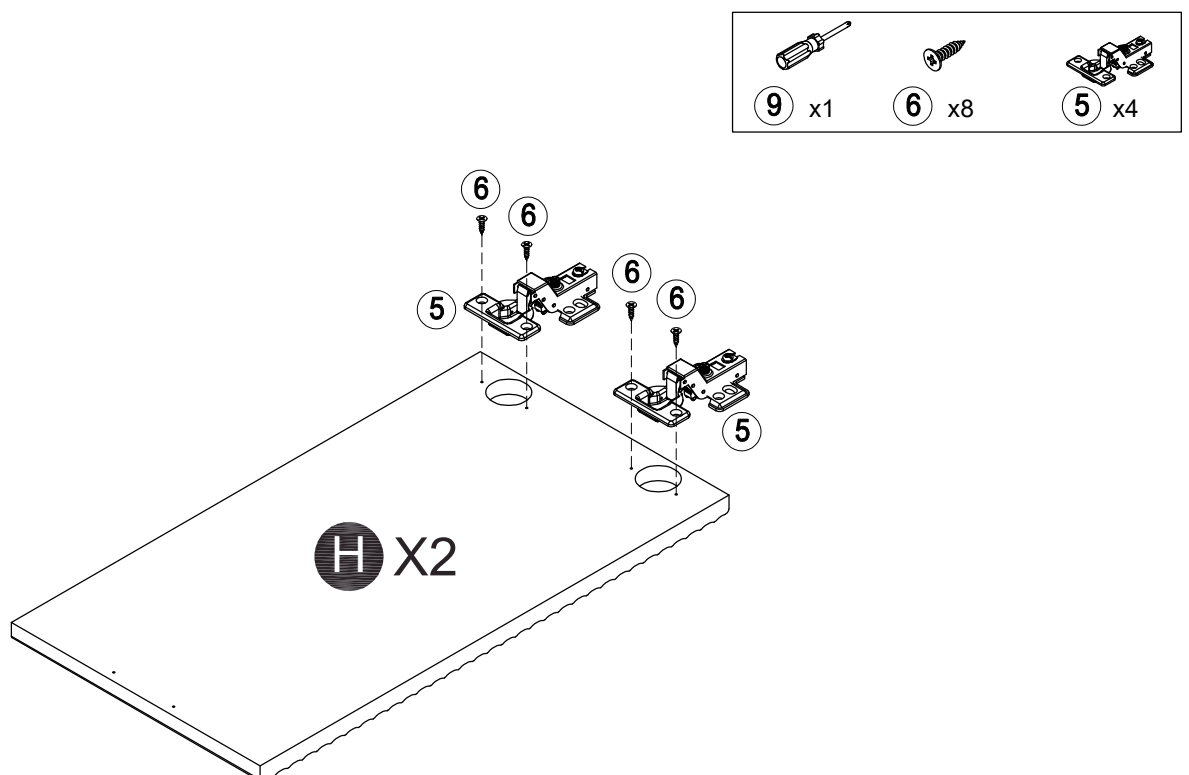
Step 8



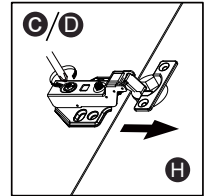
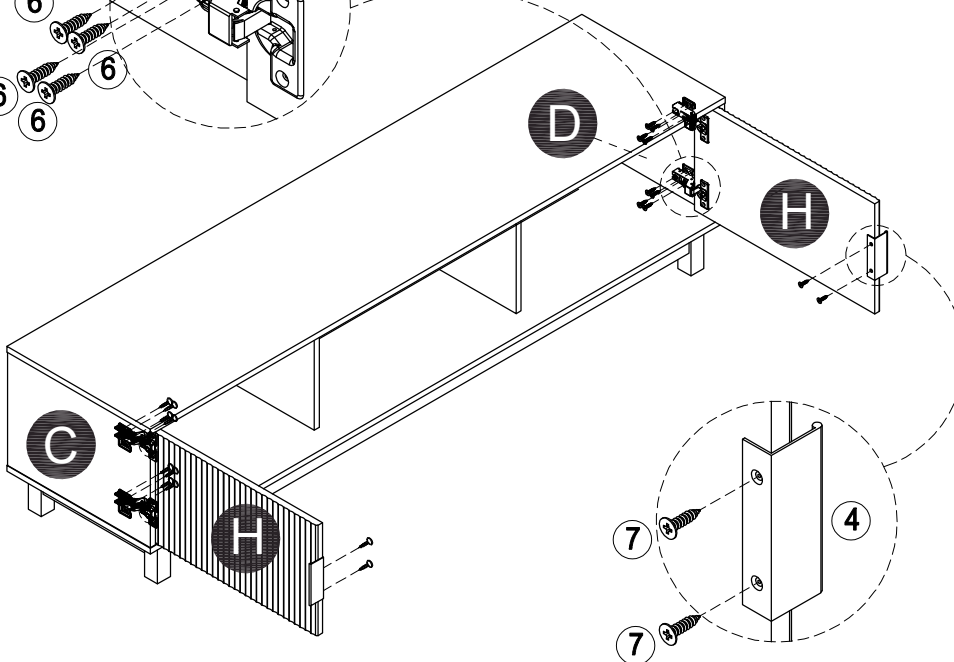
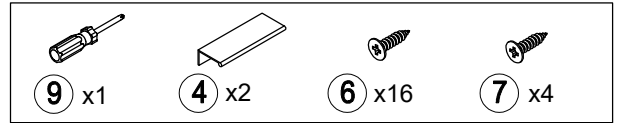
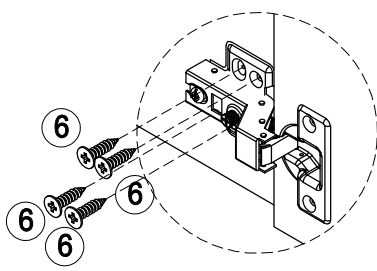
Step 9



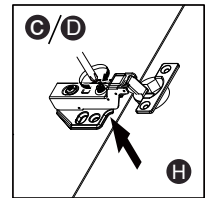
Step 10



Step 11



Use the outer screw to adjust the length of the overlap between board C & H or D & H.



Use the inner screw to adjust the gap between board C & H or D & H.

Step 12

